

US00D507829S

(12) **United States Design Patent**
Castellanos

(10) **Patent No.:** **US D507,829 S**
(45) **Date of Patent:** **** Jul. 26, 2005**

(54) **VENTED EAVE CLOSURE**

(76) **Inventor:** **Tom Francisco Castellanos**, 1321 Lugo Ave., Coral Gables, FL (US) 33156

(**) **Term:** **14 Years**

(21) **Appl. No.:** **29/191,215**

(22) **Filed:** **Oct. 3, 2003**

(51) **LOC (8) Cl.** **23-04**

(52) **U.S. Cl.** **D23/393**

(58) **Field of Search** 52/96, 302.3, 11, 52/12-15, 94, 95, 633, 634, 650.1; 454/260, 250; D25/164, 119, 55, 102, 199; D23/386, 393

(56) **References Cited**

U.S. PATENT DOCUMENTS

2,906,380	A	*	9/1959	Sanders	52/633
2,990,920	A	*	7/1961	Hoffman, Jr.	52/633
3,003,600	A	*	10/1961	Mackenzie	52/633
6,301,854	B1	*	10/2001	Daudet et al.	52/650.1

OTHER PUBLICATIONS

On-line catalog, Dietrich Metal Framing Exterior Framing, p. 60 and cover.*

* cited by examiner

Primary Examiner—Robert M. Spear
Assistant Examiner—Susan Bennett-Hattan

(74) *Attorney, Agent, or Firm*—J Sanchelima; A. Bordas

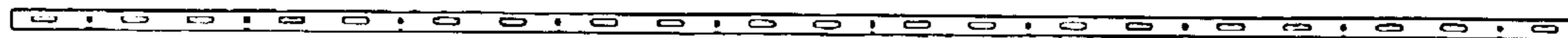
(57) **CLAIM**

The ornamental design for the vented eave closure, as shown and described.

DESCRIPTION

FIG. 1 is a front view of a vented eave closure showing my new design;
FIG. 2 is an enlarged front view of a vented eave closure section thereof;
FIG. 3 is an enlarged rear view thereof;
FIG. 4 is an enlarged top view thereof;
FIG. 5 is an enlarged bottom view thereof;
FIG. 6 is an enlarged left view thereof;
FIG. 7 is an enlarged right view thereof;
FIG. 8 is an enlarged perspective front view of my instant invention;
FIG. 9 is an enlarged perspective rear view of my instant invention; and,
FIG. 10 is an enlarged perspective view of my instant invention installed in a roofing structure.
The broken lines are for environmental purposes only and form no part of the claimed design.

1 Claim, 2 Drawing Sheets



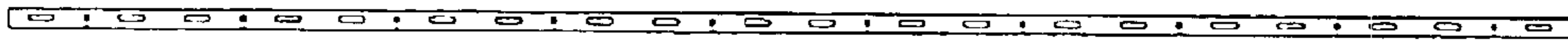


FIG-1

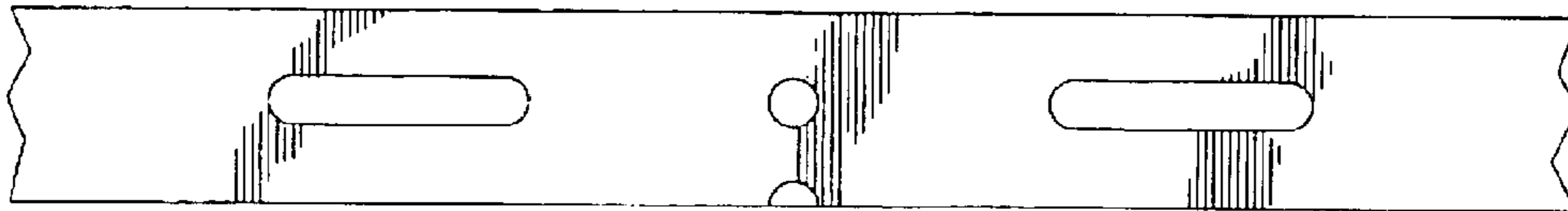


FIG-2

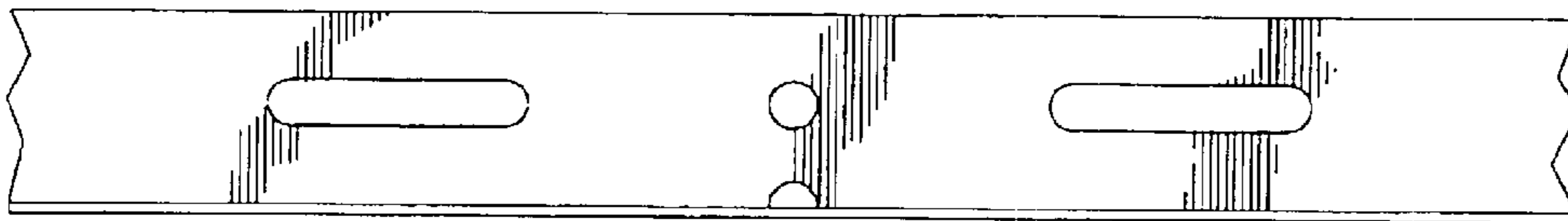


FIG-3

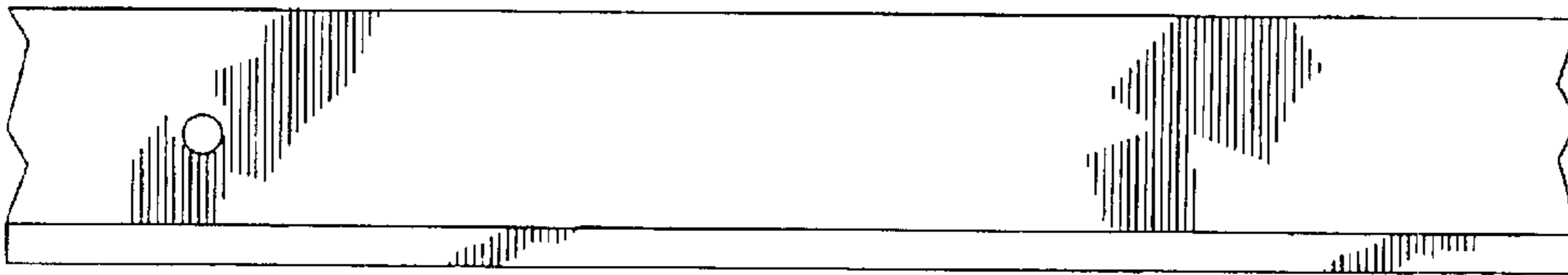


FIG-4

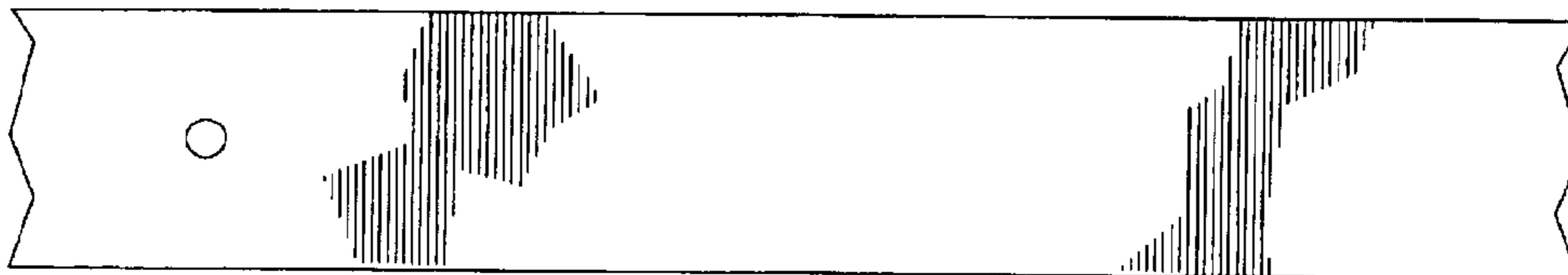


FIG-5



FIG-6

FIG-7

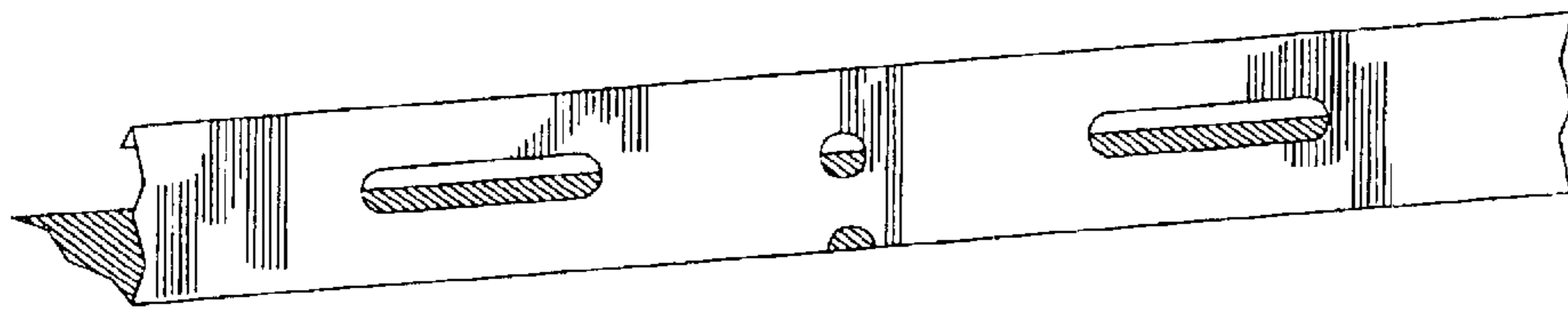


FIG-8

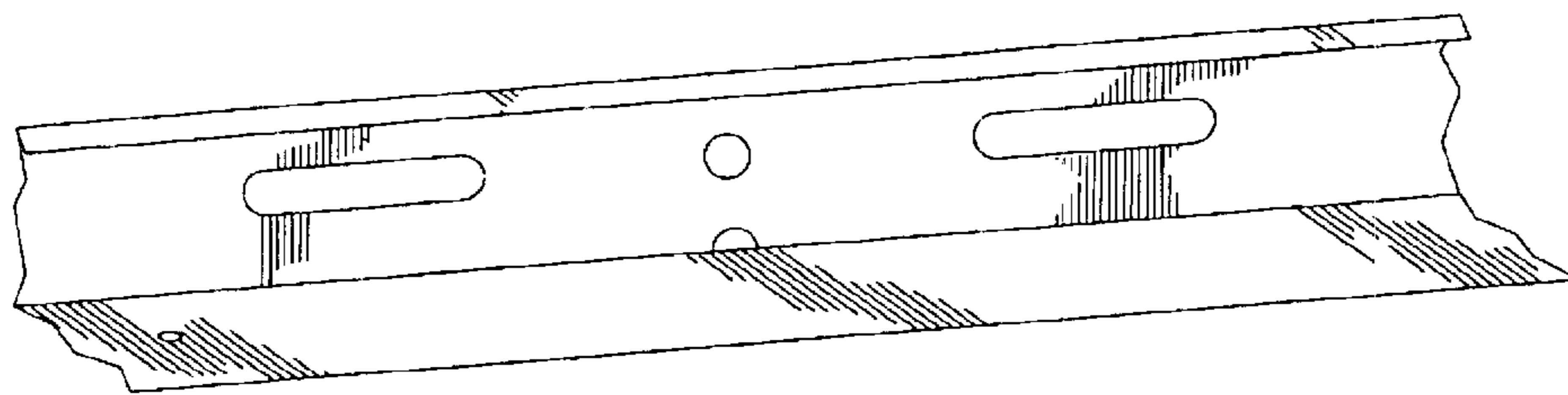


FIG-9

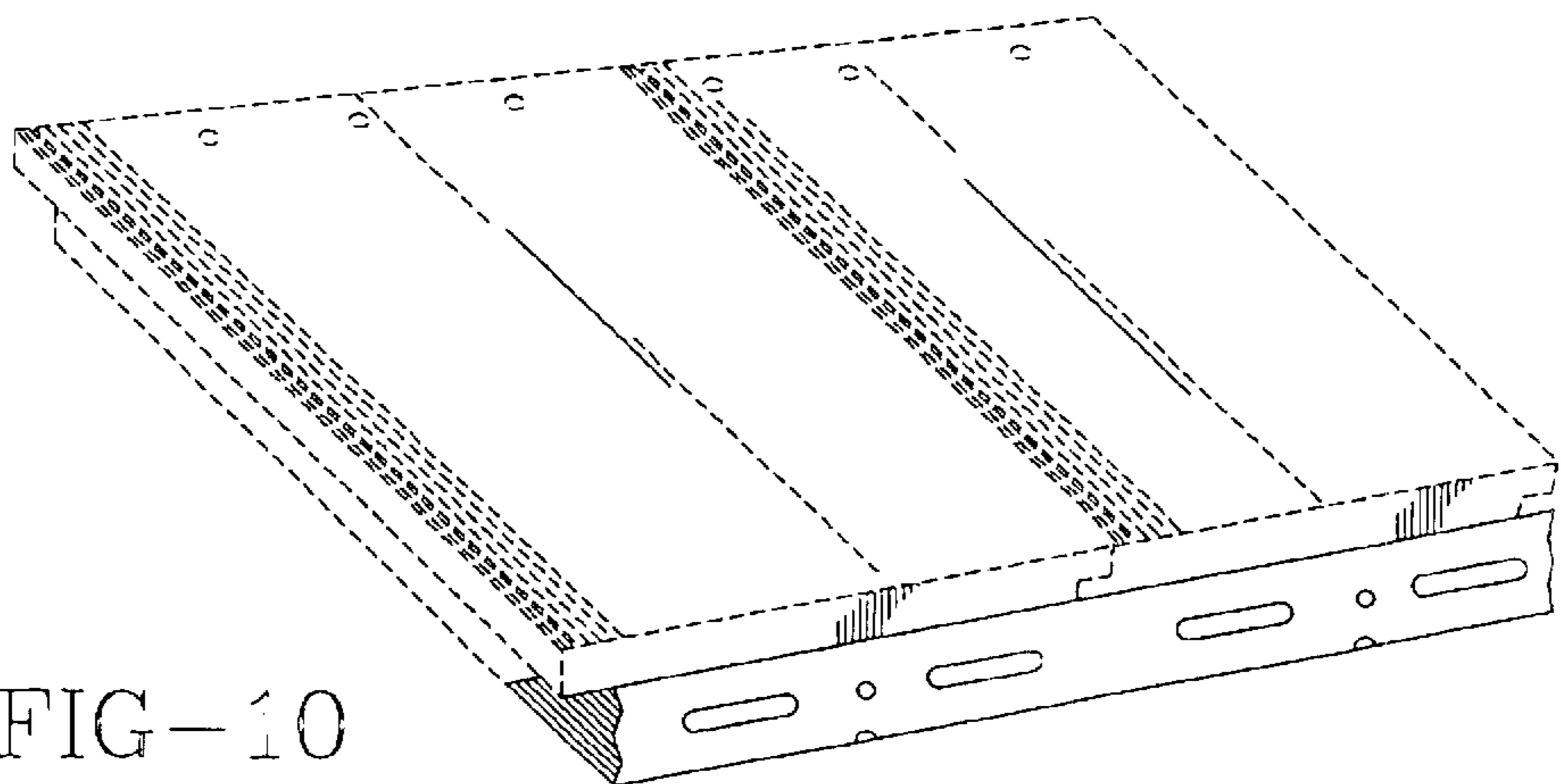


FIG-10