

US00D507827S

(12) **United States Design Patent** (10) **Patent No.:** **US D507,827 S**
Hidalgo (45) **Date of Patent:** **** Jul. 26, 2005**

- (54) **CEILING FAN HOUSING**
- (75) Inventor: **Rolando Hidalgo**, Orange, CA (US)
- (73) Assignee: **Minka Lighting, Inc.**, Corona, CA (US)
- (**) Term: **14 Years**
- (21) Appl. No.: **29/196,163**
- (22) Filed: **Dec. 23, 2003**
- (51) **LOC (8) Cl.** **23-04**
- (52) **U.S. Cl.** **D23/377**
- (58) **Field of Search** D23/377, 379, D23/385, 411, 413; 416/5; D26/59, 81-88, 72; 362/96

Casablanca Internet Catalog; Aegean Classic Model # 4385V; www.casablancafanco.com, Feb. 20, 2004, Casablanca Fans.
Minka Aire Two Thousand Two; pp. 30, 31, Apr. 22, 2002, Minka Lighting, Inc. USA.
Minka Aire Two Thousand Three; pp. 32, 33, Jan. 2003, Minka Lighting, Inc. USA.
Emerson Internet Catalog; Chateau Royale, Model # CF945PW; www.ceilingfan.com, Nov. 17, 2003, Emerson Fans.
Casablanca Internet Catalog; Aegean Classic Model # 4385V; www.casablancafanco.com, Feb. 20, 2004, Casablanca Fans.

* cited by examiner

Primary Examiner—Lisa Lichtenstein
(74) *Attorney, Agent, or Firm*—Baker & McKenzie LLP

(56) **References Cited**
U.S. PATENT DOCUMENTS

D453,218 S	1/2002	Hidalgo	
D454,630 S	3/2002	Hidalgo	
D458,363 S	6/2002	Hidalgo	
D470,931 S	2/2003	Hidalgo	
D478,976 S	* 8/2003	Young D23/377
D484,233 S	* 12/2003	Bucher et al. D23/377

OTHER PUBLICATIONS

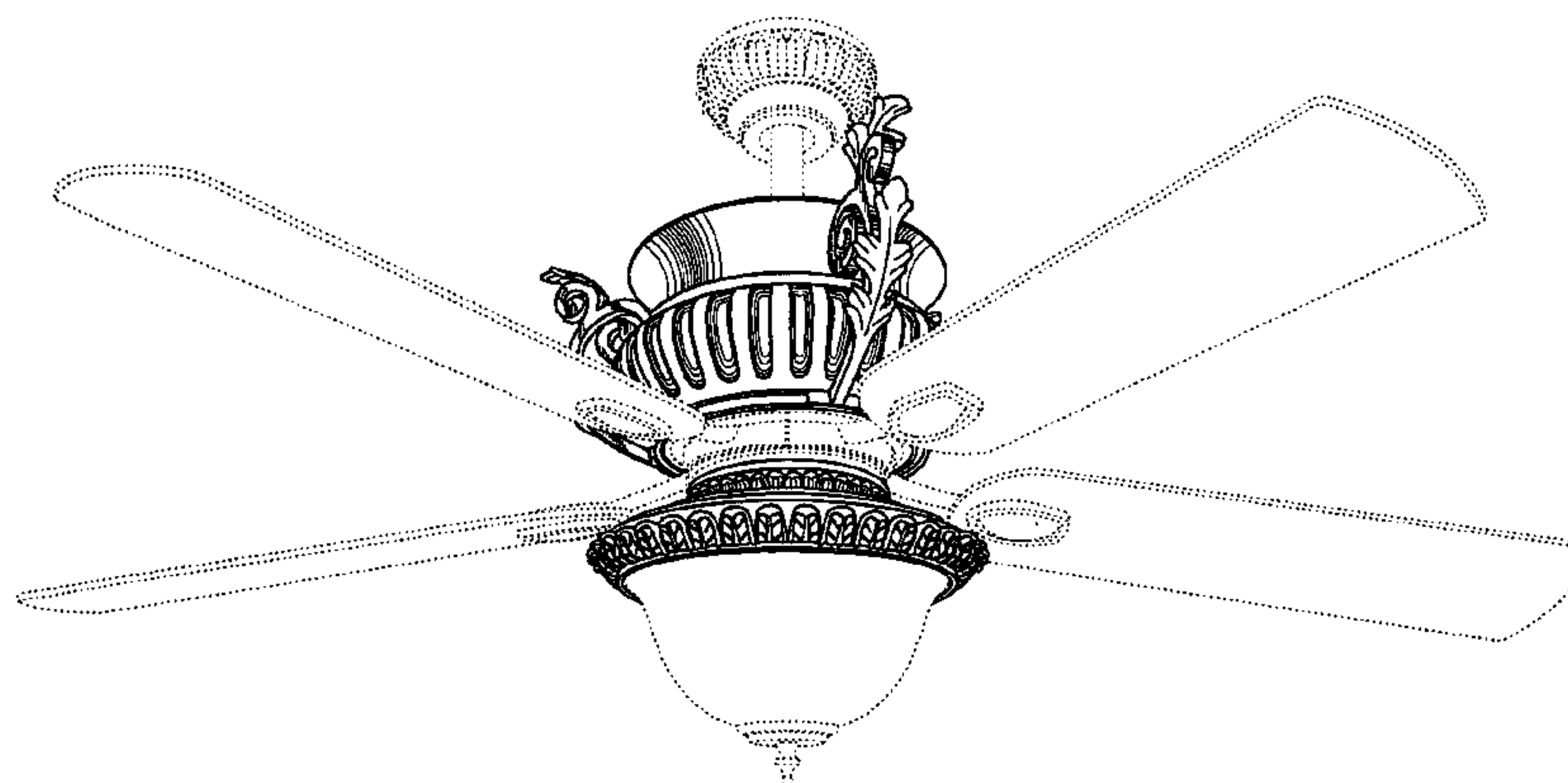
U.S. Appl. No. 29/196,257, filed Dec. 23, 2003, Rolando Hidalgo.
U.S. Appl. No. 29/196,170, filed Dec. 23, 2003, Rolando Hidalgo.
U.S. Appl. No. 29/196,174, filed Dec. 23, 2003, Rolando Hidalgo.
U.S. Appl. No. 29/196,249, filed Dec. 23, 2003, Rolando Hidalgo.
Minka Aire Two Thousand Two; pp. 30, 31, Apr. 22, 2003, Minka Lighting, Inc. USA.
Minka Aire Two Thousand Three; pp. 32, 33, Jan. 2003, Minka Lighting, Inc. USA.
Emerson Internet Catalog; Chateau Royale, Model # CF945PW; www.ceilingfan.com, Nov. 17, 2003, Emerson Fans.

(57) **CLAIM**
The ornamental design for a ceiling fan housing, as shown and described.

DESCRIPTION

FIG. 1 is a perspective view from below of a ceiling fan housing in accordance with my design;
FIG. 2 is an enlarged perspective view from below of the ceiling fan housing in accordance with my design;
FIG. 3 is a top plan view of the ceiling fan housing in accordance with my design;
FIG. 4 is a bottom plan view of the ceiling fan housing in accordance with my design;
FIG. 5 is a front elevation view of the ceiling fan housing in accordance with my design; and,
FIG. 6 is a side elevation view of the ceiling fan housing in accordance with my design.
FIGS. 5 and 6 are identical except for the positioning of the fan blades.
The broken lines showing environmental structure are for illustrative purposes and form no part of the claimed design. In FIG. 2, the fan blades are shown broken away to indicate indeterminate length.

1 Claim, 6 Drawing Sheets



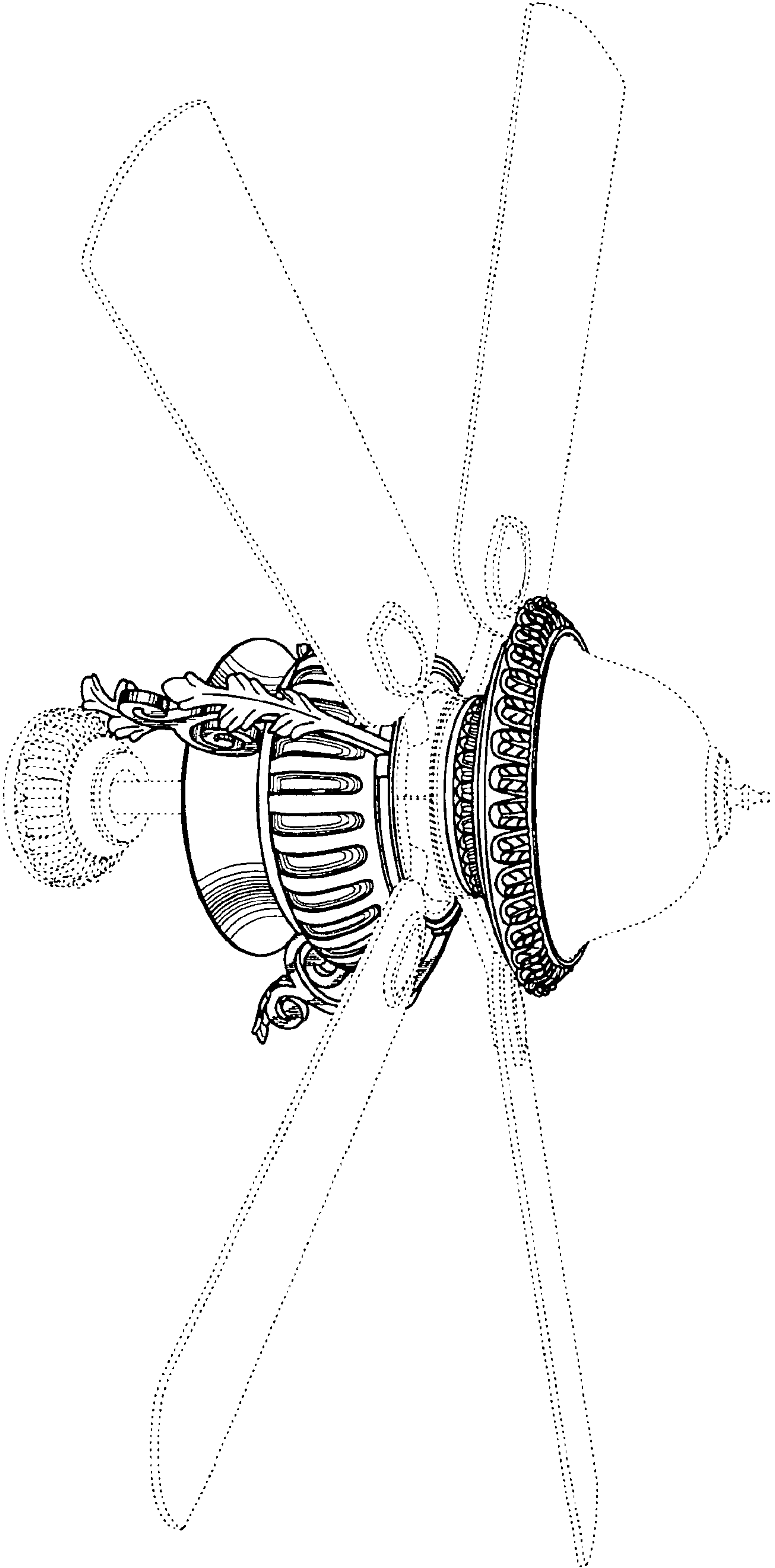


Fig. 1

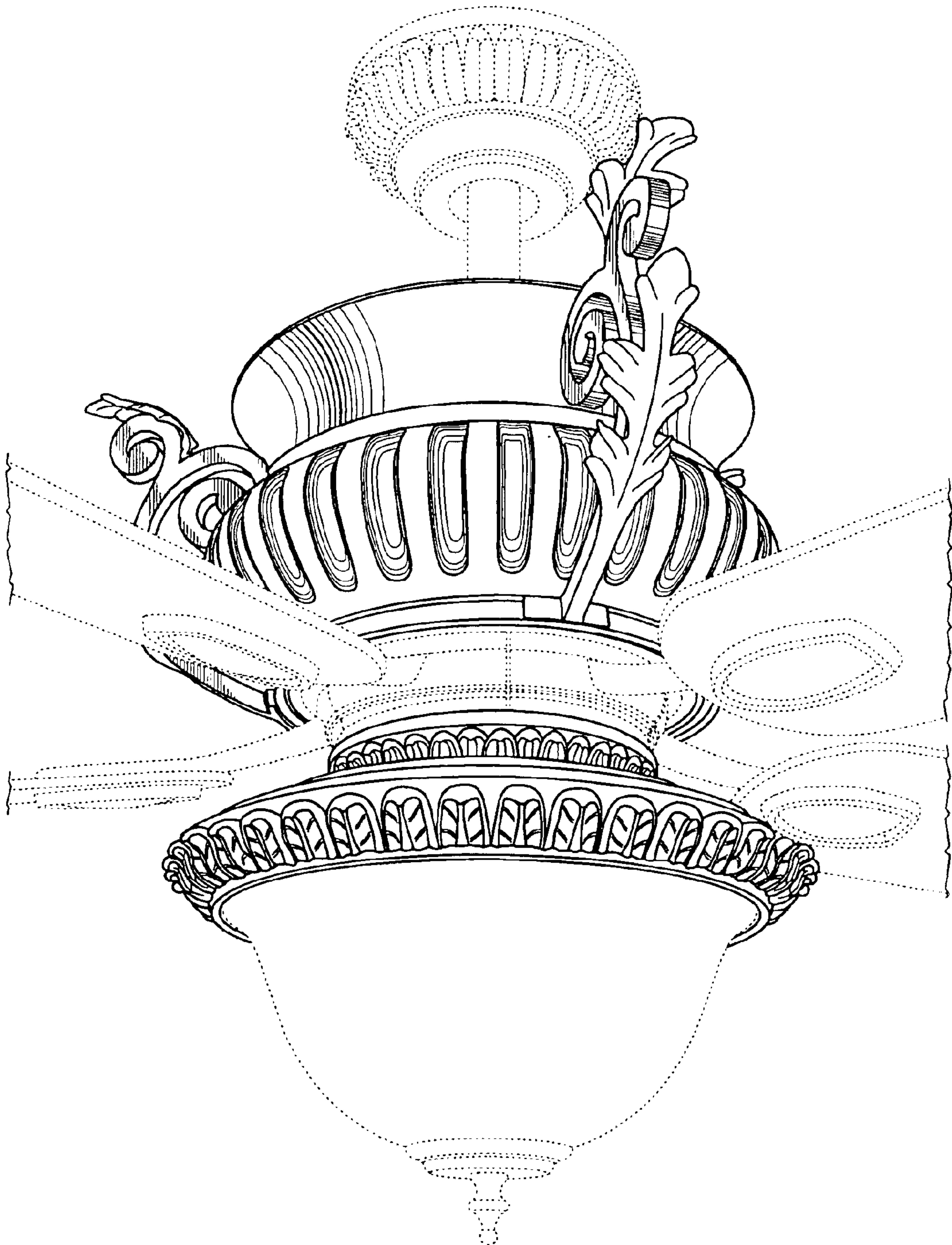


Fig. 2

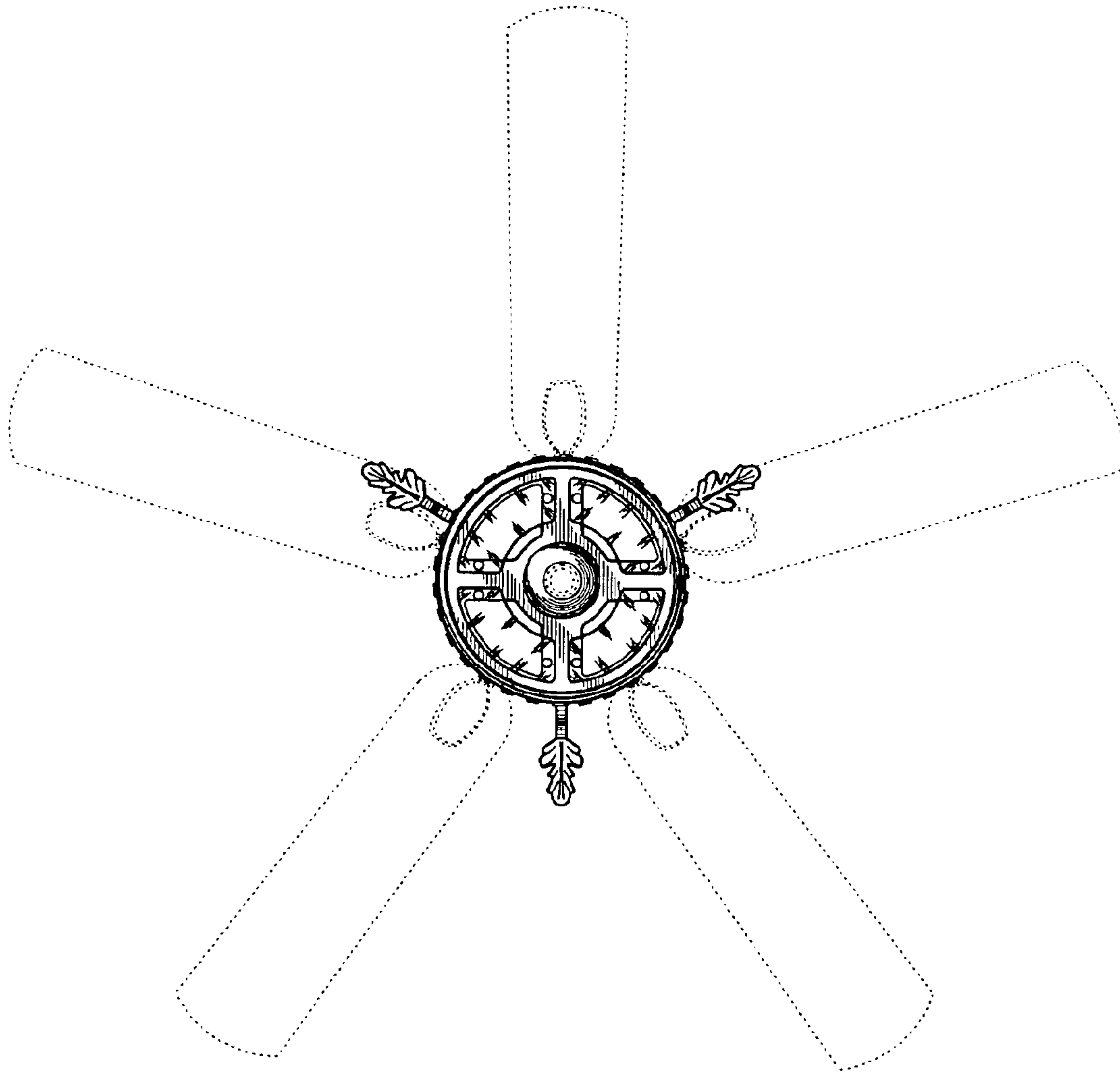


Fig. 3

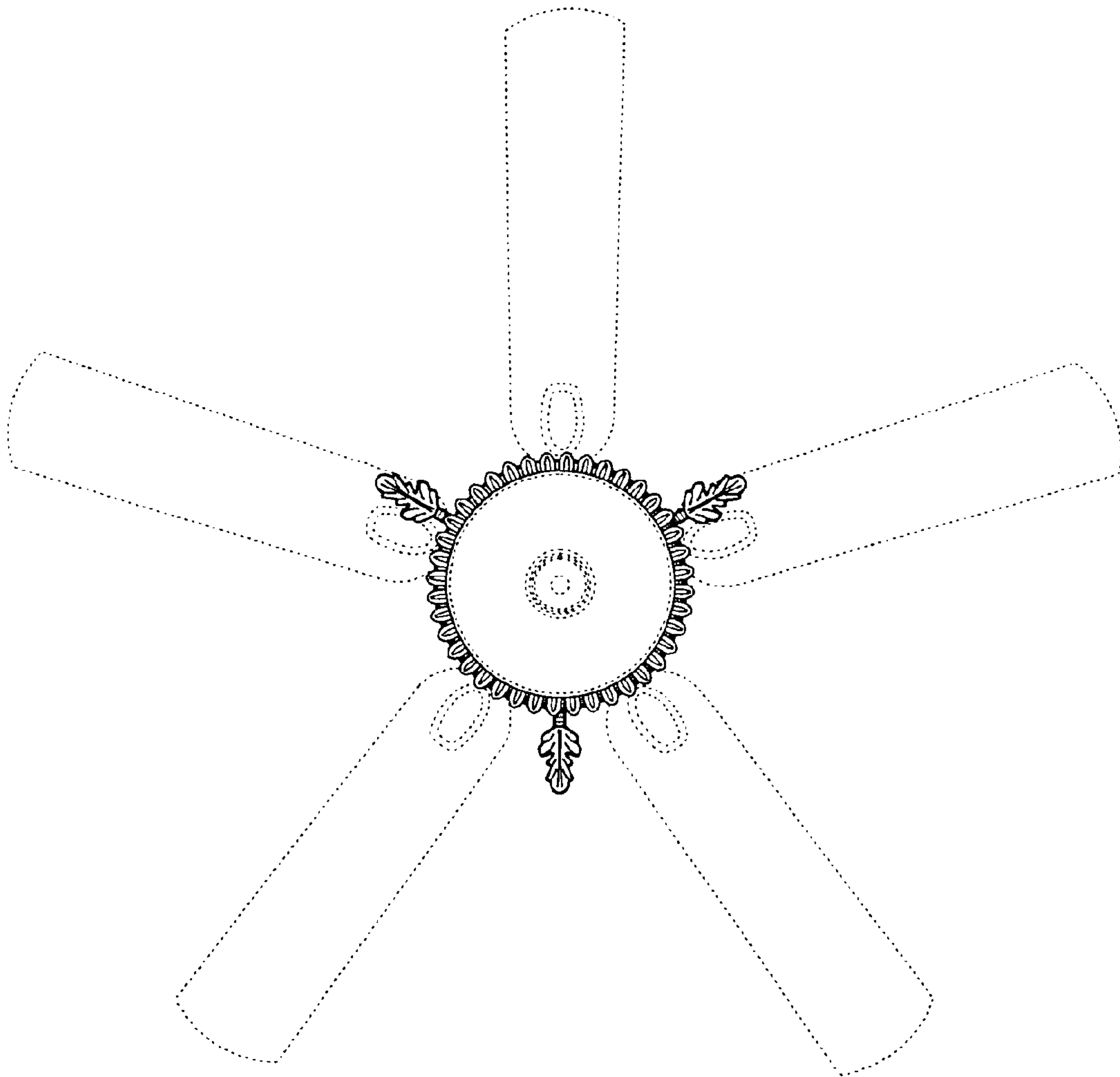


Fig.4

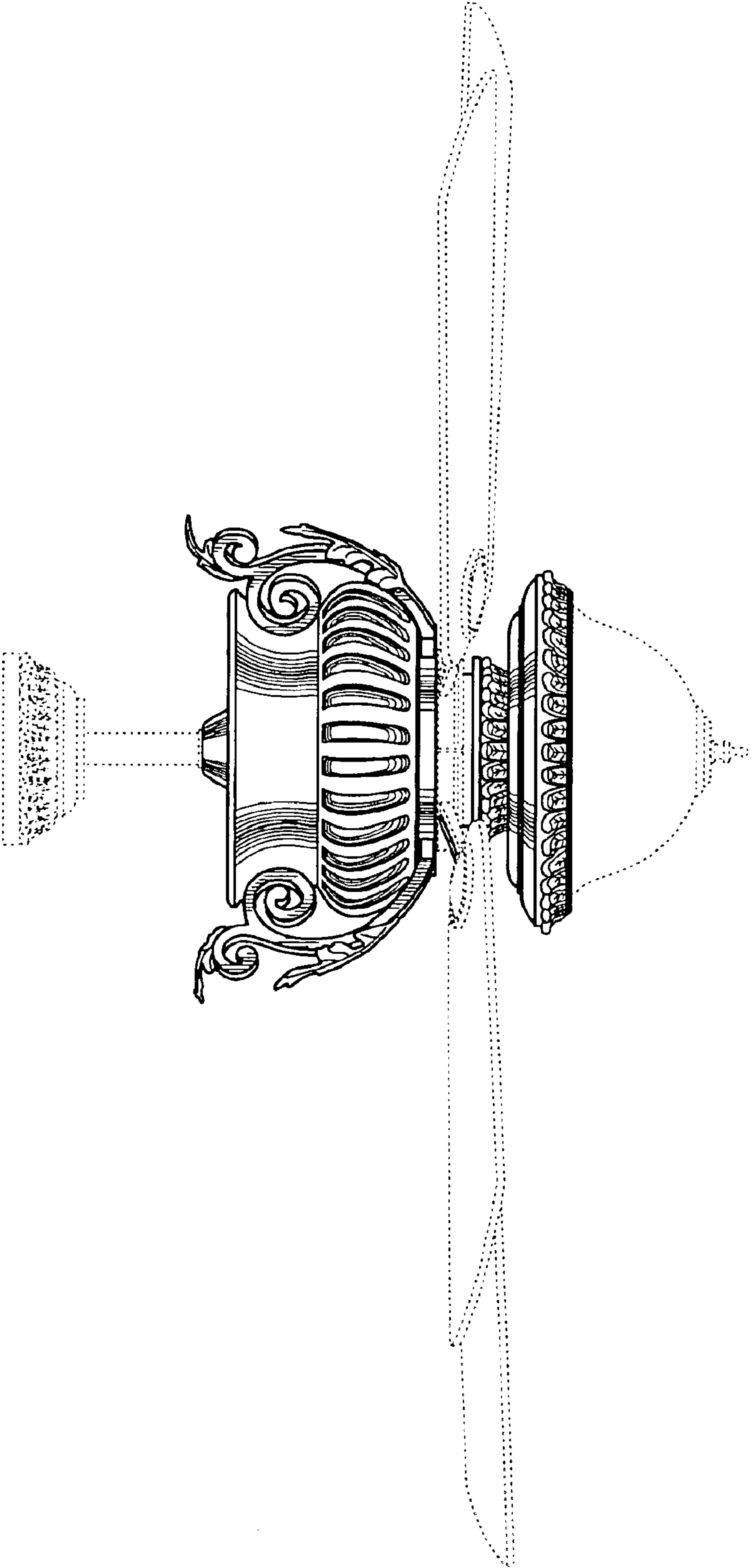


Fig. 5

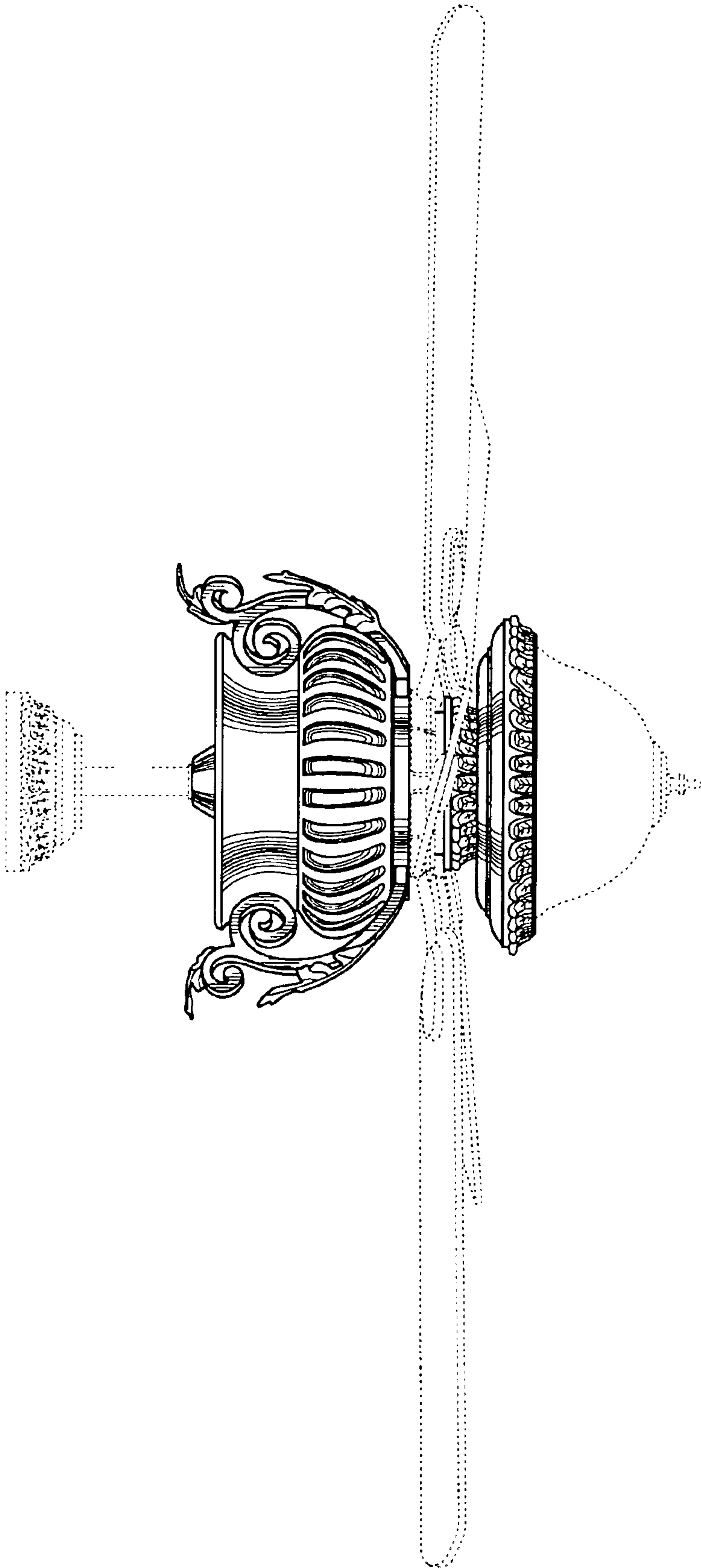


Fig. 6