



US00D507826S

(12) **United States Design Patent**
Young

(10) **Patent No.:** **US D507,826 S**
(45) **Date of Patent:** **** Jul. 26, 2005**

(54) **COMBINATION CEILING FAN AND LIGHT FIXTURE**

(75) Inventor: **Stanfield Young**, Garden Grove, CA (US)

(73) Assignee: **Minka Lighting, Inc.**, Corona, CA (US)

(**) Term: **14 Years**

(21) Appl. No.: **29/195,845**

(22) Filed: **Dec. 18, 2003**

(51) **LOC (8) Cl.** **23-04**

(52) **U.S. Cl.** **D23/377**

(58) **Field of Search** D23/411, 377,
D23/379, 385, 413; 411/5; D26/59, 72,
81-86

(56) **References Cited**

U.S. PATENT DOCUMENTS

D457,620 S	*	5/2002	Frampton	D23/413
D476,728 S	*	7/2003	Gajewski	D23/377
D480,796 S	*	10/2003	Young	D23/411
D484,964 S	*	1/2004	Young	D23/377
D490,515 S	*	5/2004	Young	D23/411

* cited by examiner

Primary Examiner—Lisa Lichtenstein
(74) *Attorney, Agent, or Firm*—Baker & McKenzie LLP

(57) **CLAIM**

The ornamental design for a combination ceiling fan and light fixture, as shown and described.

DESCRIPTION

FIG. 1 is a perspective view from below of a combination ceiling fan and light fixture in accordance with my design; FIG. 2 is an enlarged perspective view from below of a combination ceiling fan and light fixture in accordance with my design;

FIG. 3 is a top plan view of a combination ceiling fan and light fixture in accordance with my design;

FIG. 4 is a bottom plan view of a combination ceiling fan and light fixture in accordance with my design;

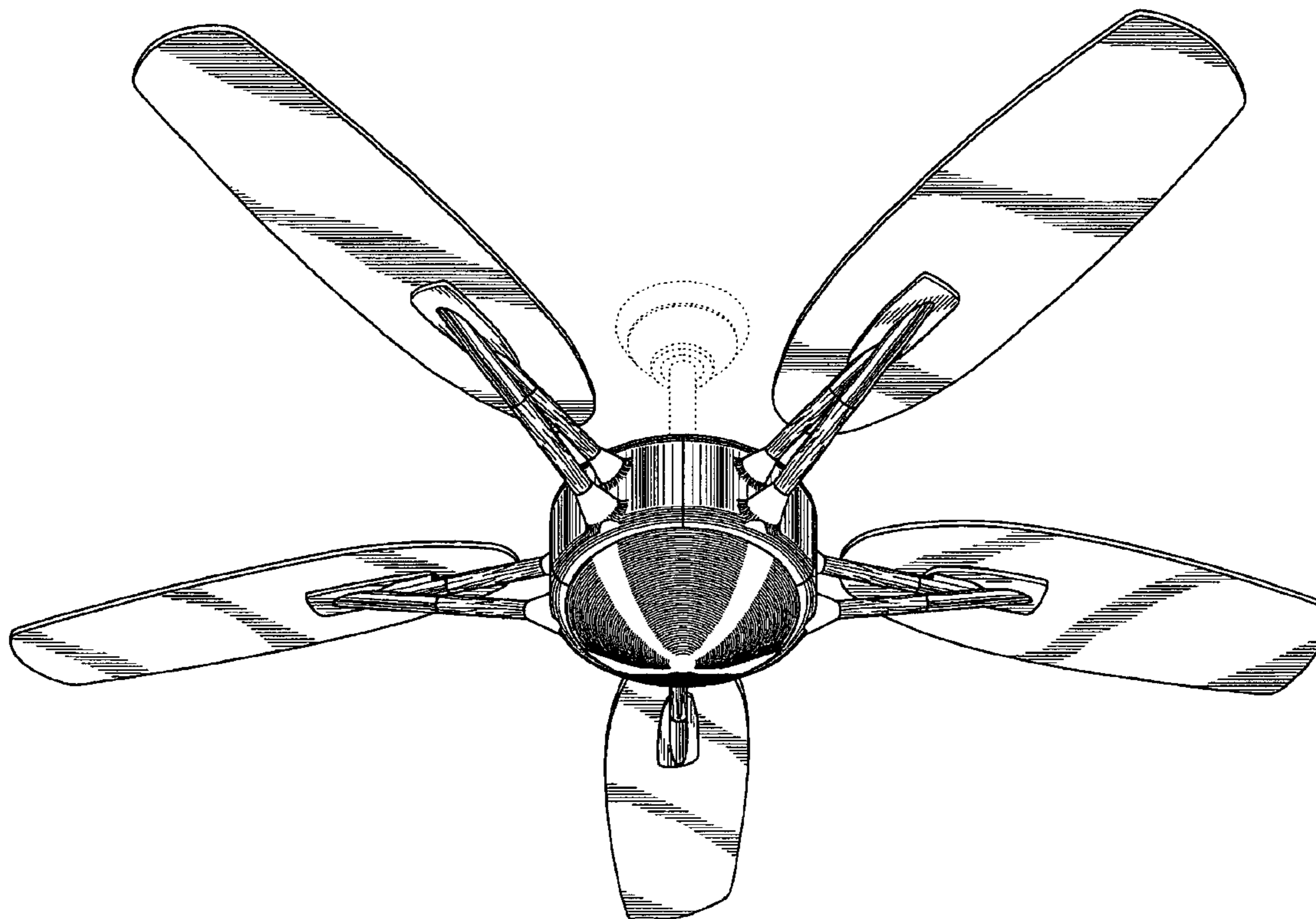
FIG. 5 is a front elevation view of a combination ceiling fan and light fixture in accordance with my design; and,

FIG. 6 is a side elevation view of a combination ceiling fan and light fixture in accordance with my design the opposite side being a mirror image of that shown.

FIGS. 5 and 6 are identical except for the positioning of the fan blades.

The broken lines showing environmental structure are for illustrative purposes and form no part of the claimed design. In FIG. 2, the fan blades are shown broken away to indicate indeterminate length.

1 Claim, 5 Drawing Sheets



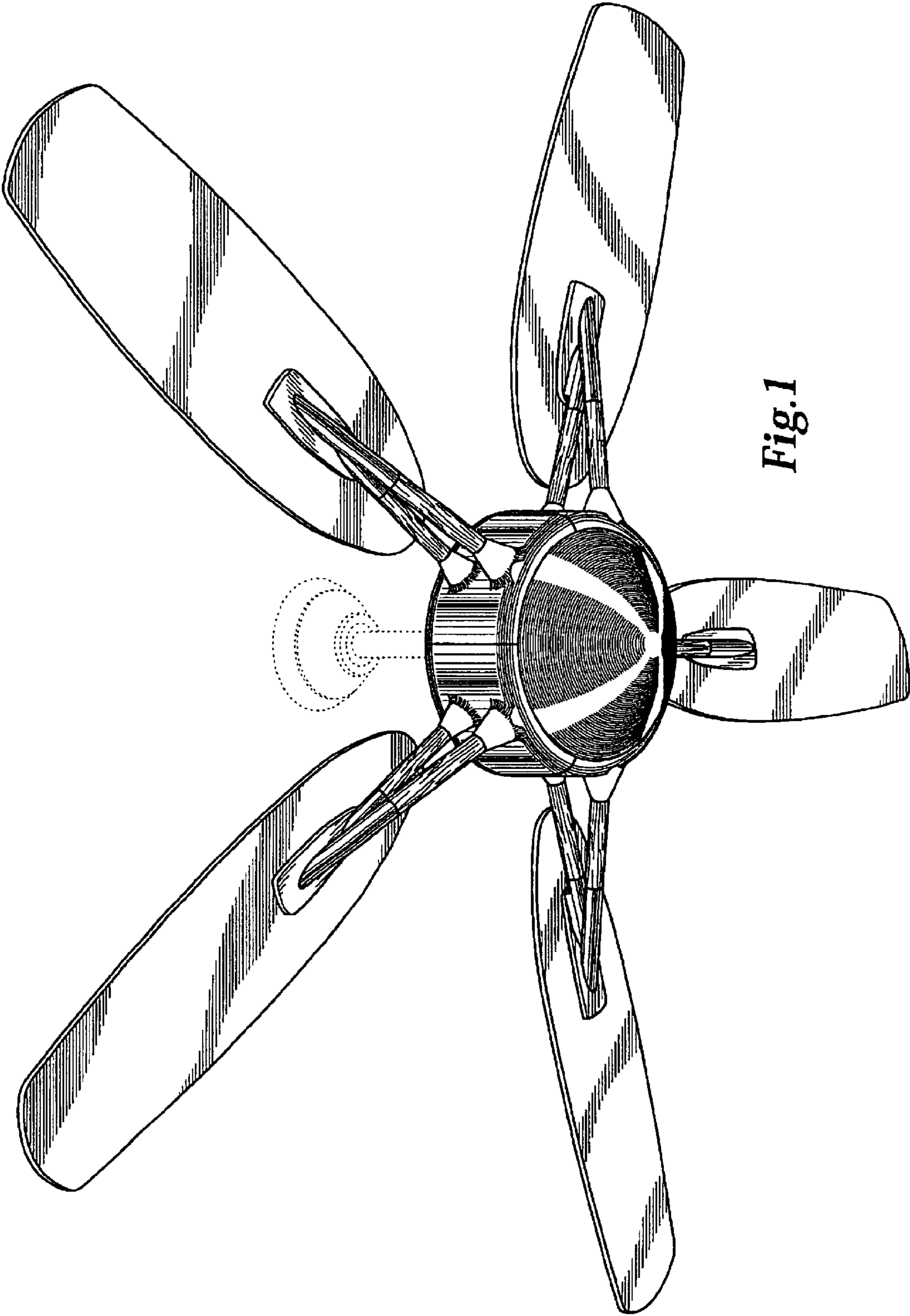


Fig. 1

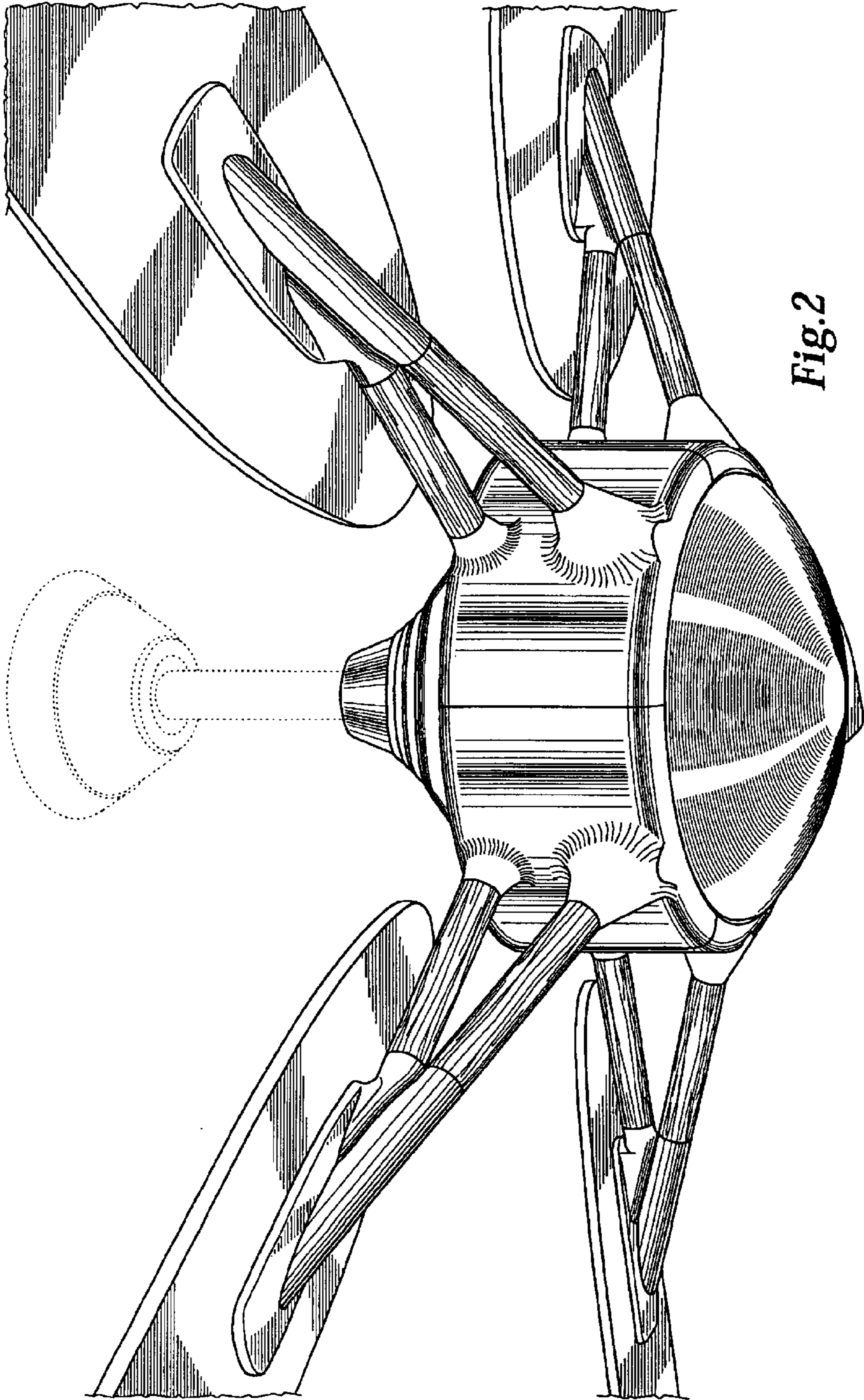


Fig.2

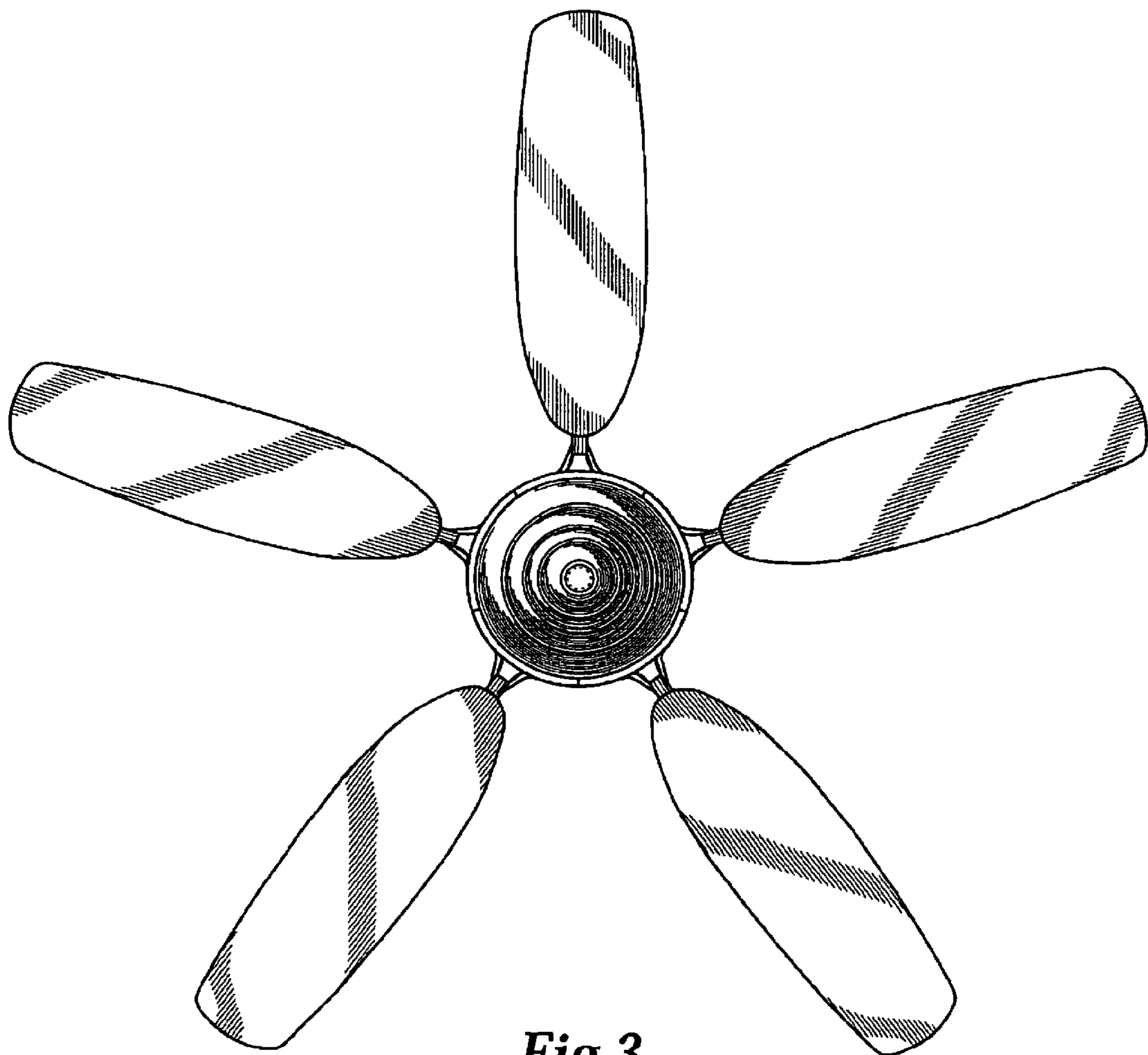


Fig.3

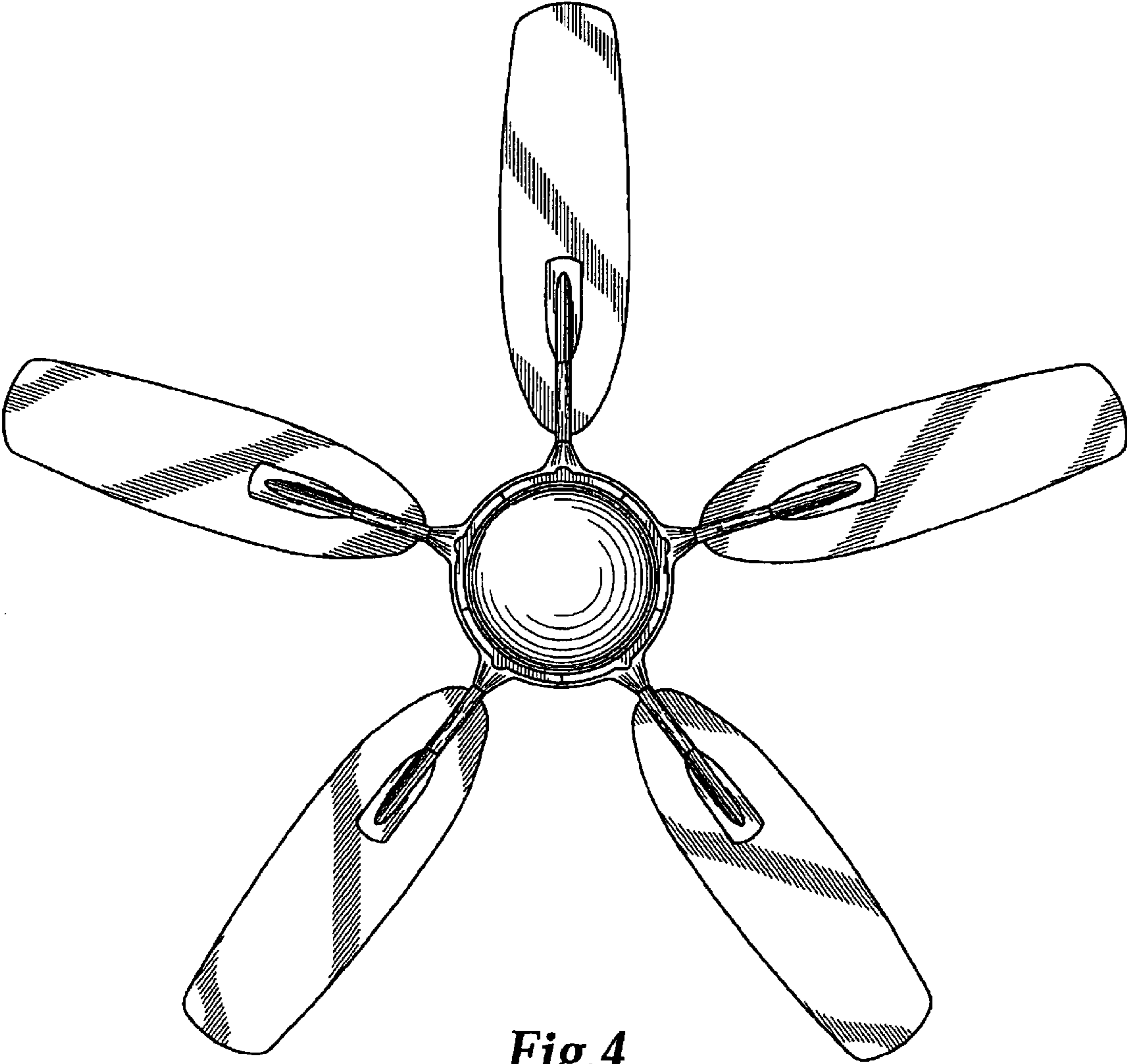


Fig. 4

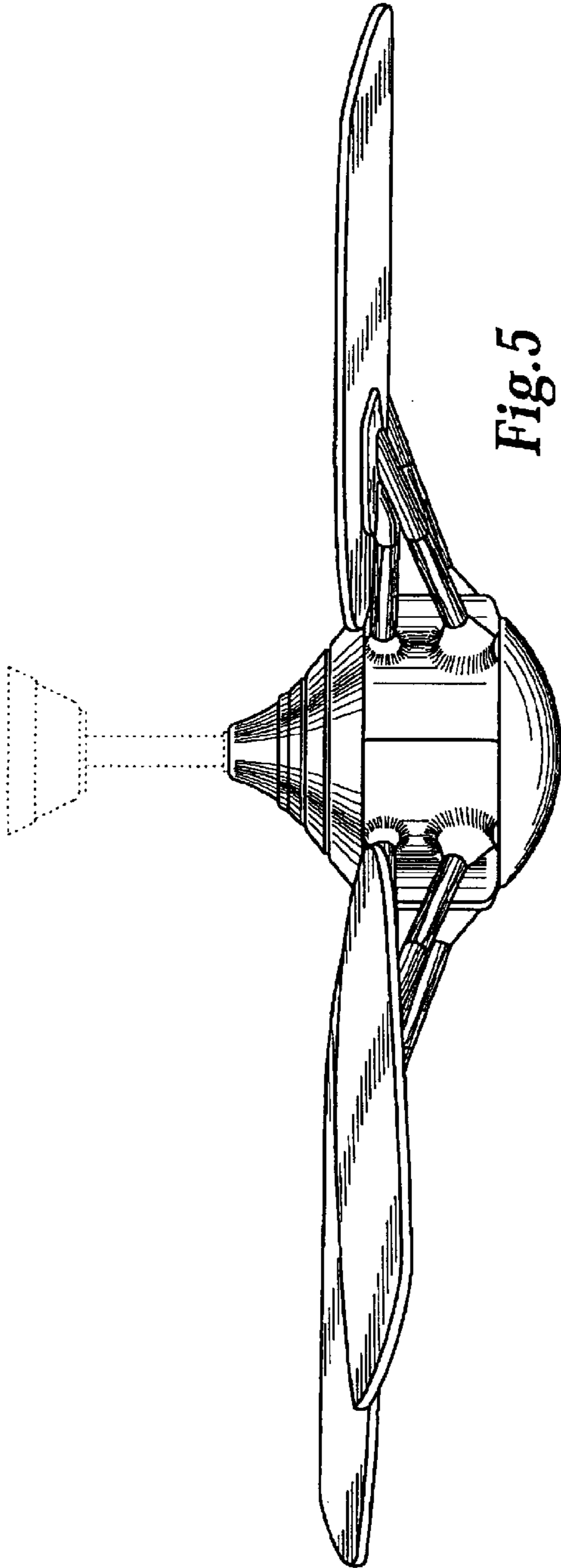


Fig. 5

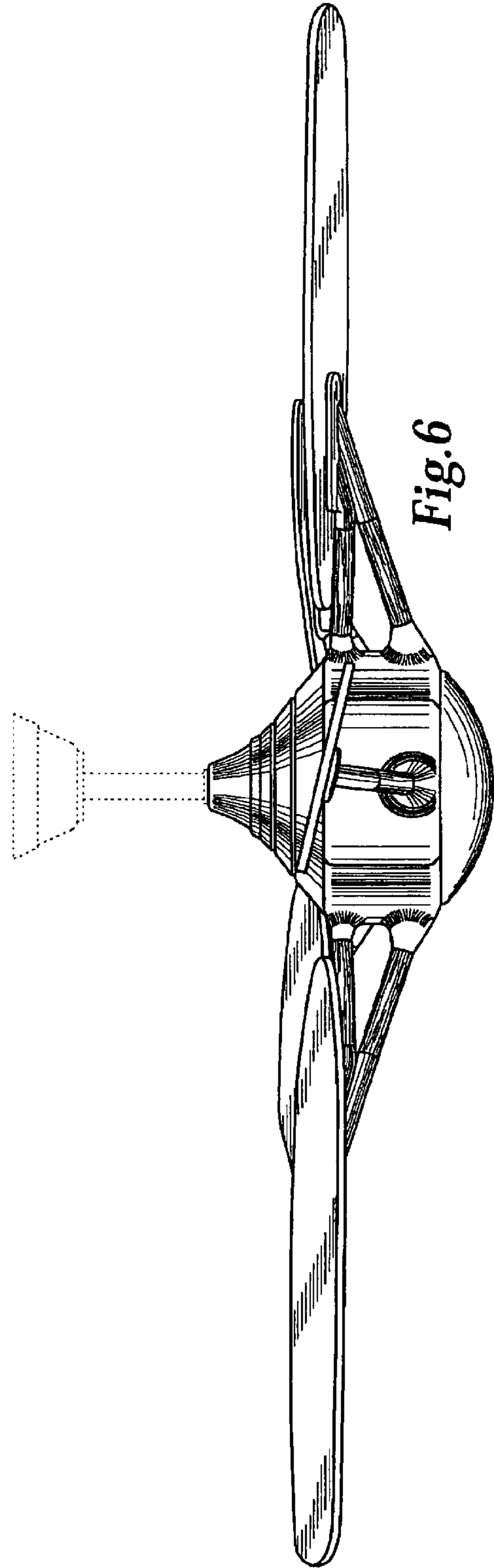


Fig. 6