

US00D507822S

(12) **United States Design Patent**
Bucher et al.

(10) **Patent No.: US D507,822 S**

(45) **Date of Patent: ** *Jul. 26, 2005**

(54) **ONE-PIECE TOILET**

D439,960 S * 4/2001 Jones D23/295
D454,943 S * 3/2002 Chen D23/301

(75) Inventors: **Christophe Bucher**, Hillsborough, NJ (US); **Gary Uhl**, Fair Haven, NJ (US)

* cited by examiner

(73) Assignee: **American Standard International Inc.**, New York, NY (US)

Primary Examiner—Robert A. Delehanty

(*) Notice: This patent is subject to a terminal disclaimer.

(57) **CLAIM**

The ornamental design for a one-piece toilet, as shown and described.

(**) Term: **14 Years**

DESCRIPTION

(21) Appl. No.: **29/202,208**

FIG. 1 is a front perspective view of a preferred embodiment of a one-piece toilet showing our new design;

(22) Filed: **Mar. 26, 2004**

FIG. 2 is a top view of the one-piece toilet of FIG. 1;

(51) **LOC (8) Cl.** **23-01**

FIG. 3 is a front view of the one-piece toilet of FIG. 1;

(52) **U.S. Cl.** **D23/301**

FIG. 4 is a left side view having a right side being a mirror image of the one-piece toilet of FIG. 1;

(58) **Field of Search** D23/270–271,
D23/273–274, 295, 299, 301, 303, 309;
4/663–664, 300, 329, 420, 449, DIG. 15,
443–446

FIG. 5 is a rear view of the one-piece toilet of FIG. 1; and,
FIG. 6 is a bottom view of the one-piece toilet of FIG. 1.

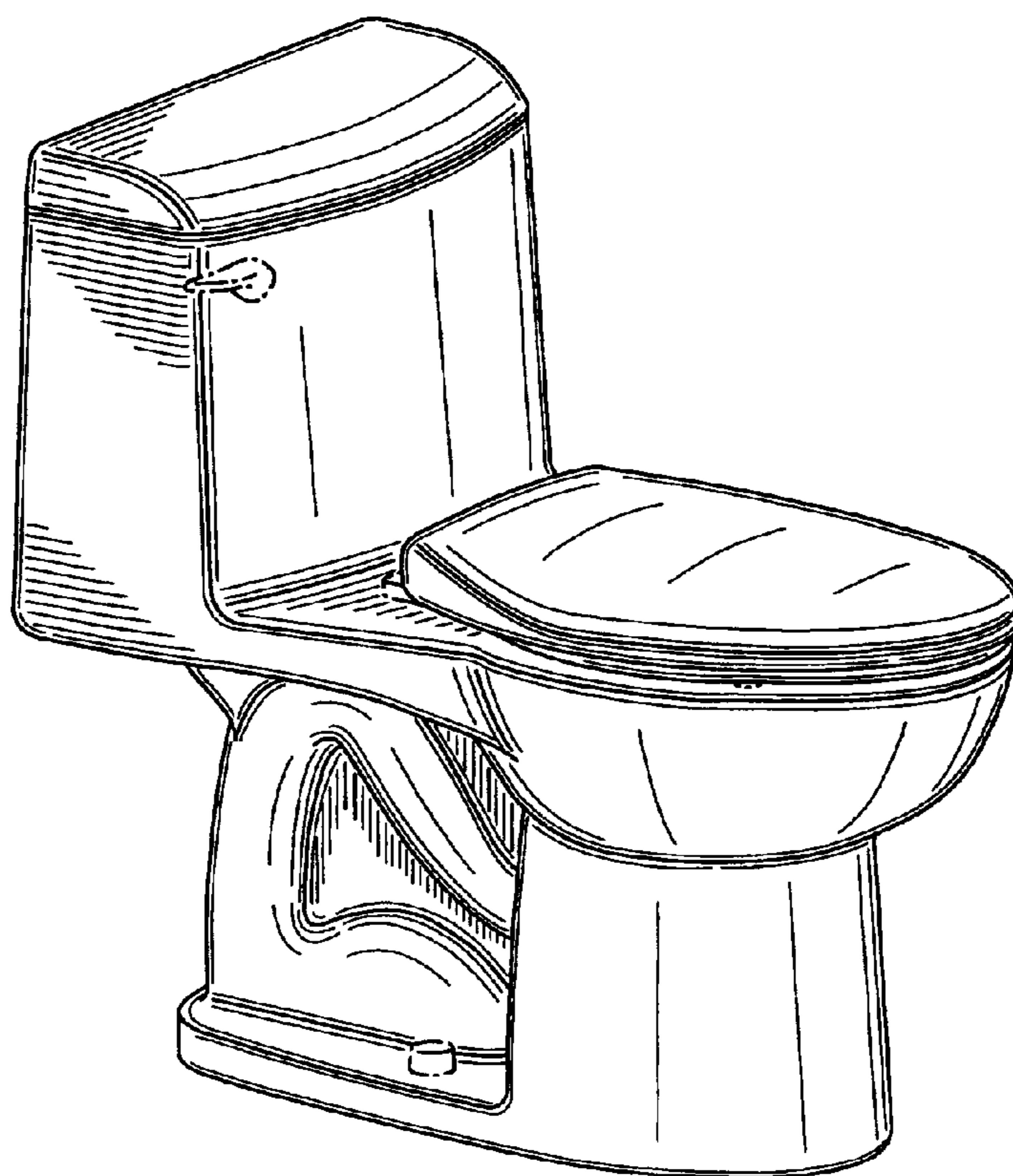
The broken lines showing of a handle, hinges, bolt covers and portions of the bottom surface are for illustrative purposes only and forms no part of the claimed design.

(56) **References Cited**

U.S. PATENT DOCUMENTS

D399,294 S * 10/1998 Kawamura et al. D23/301

1 Claim, 6 Drawing Sheets



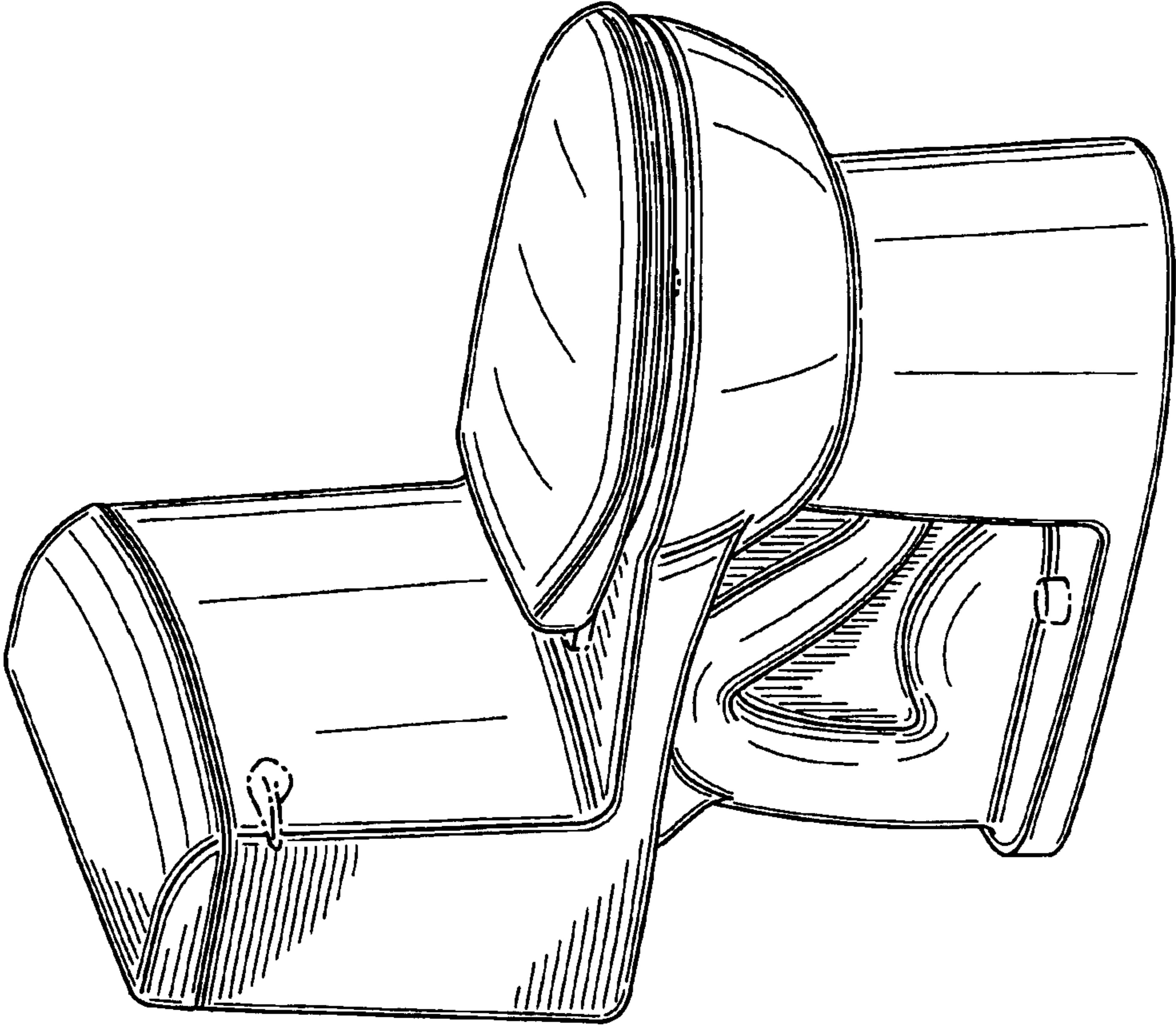


FIG. 1

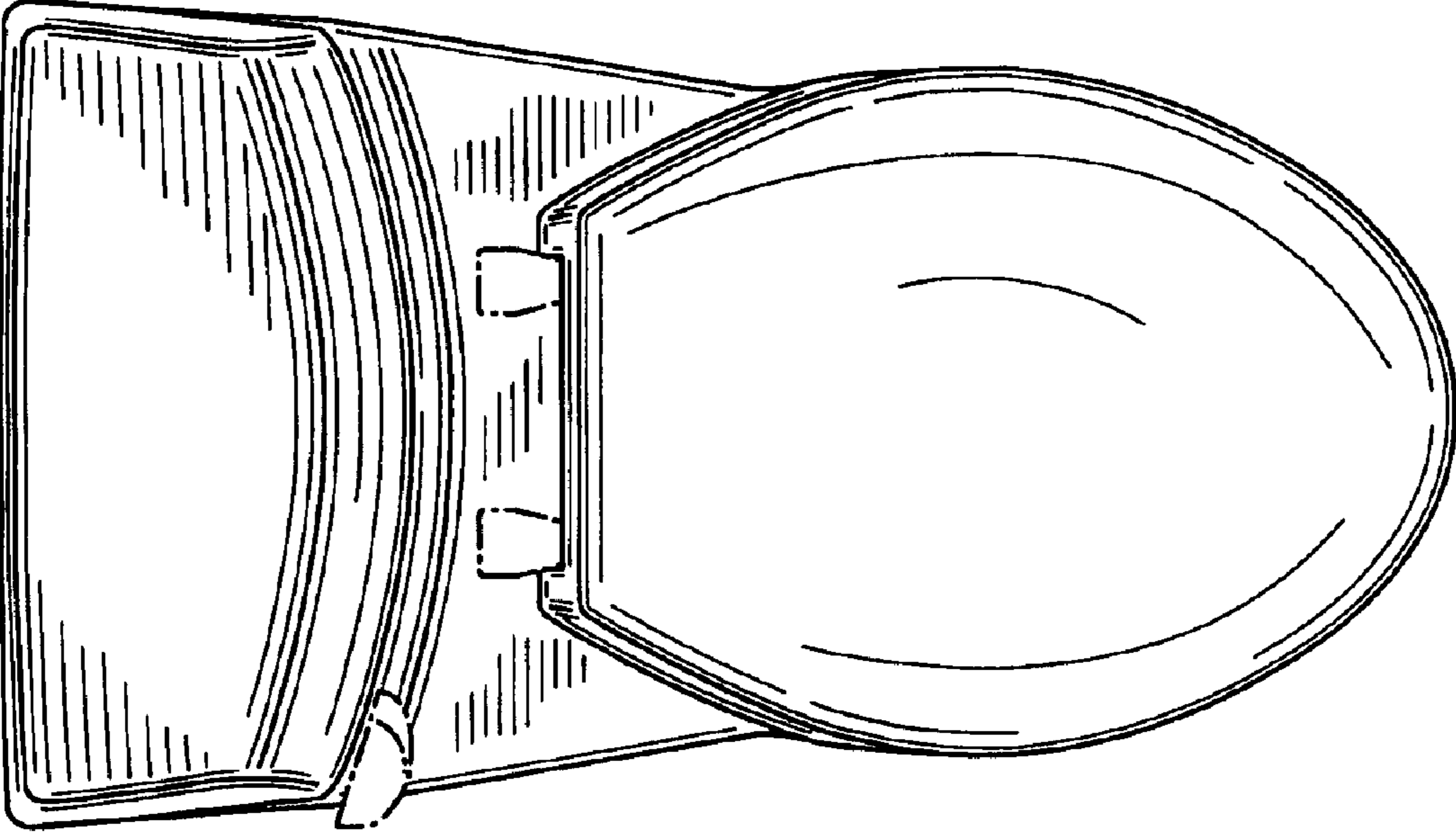


FIG. 2

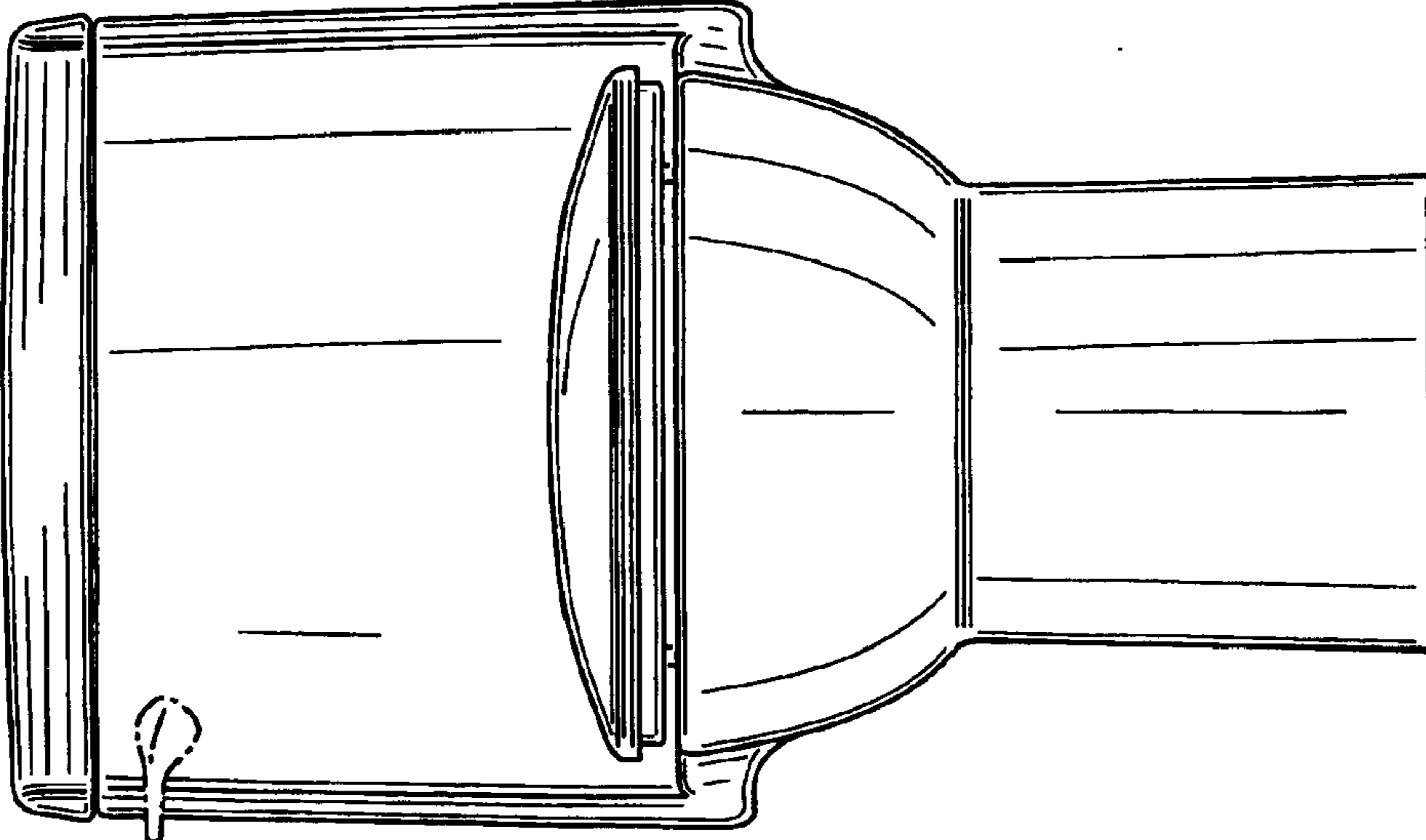


FIG. 3

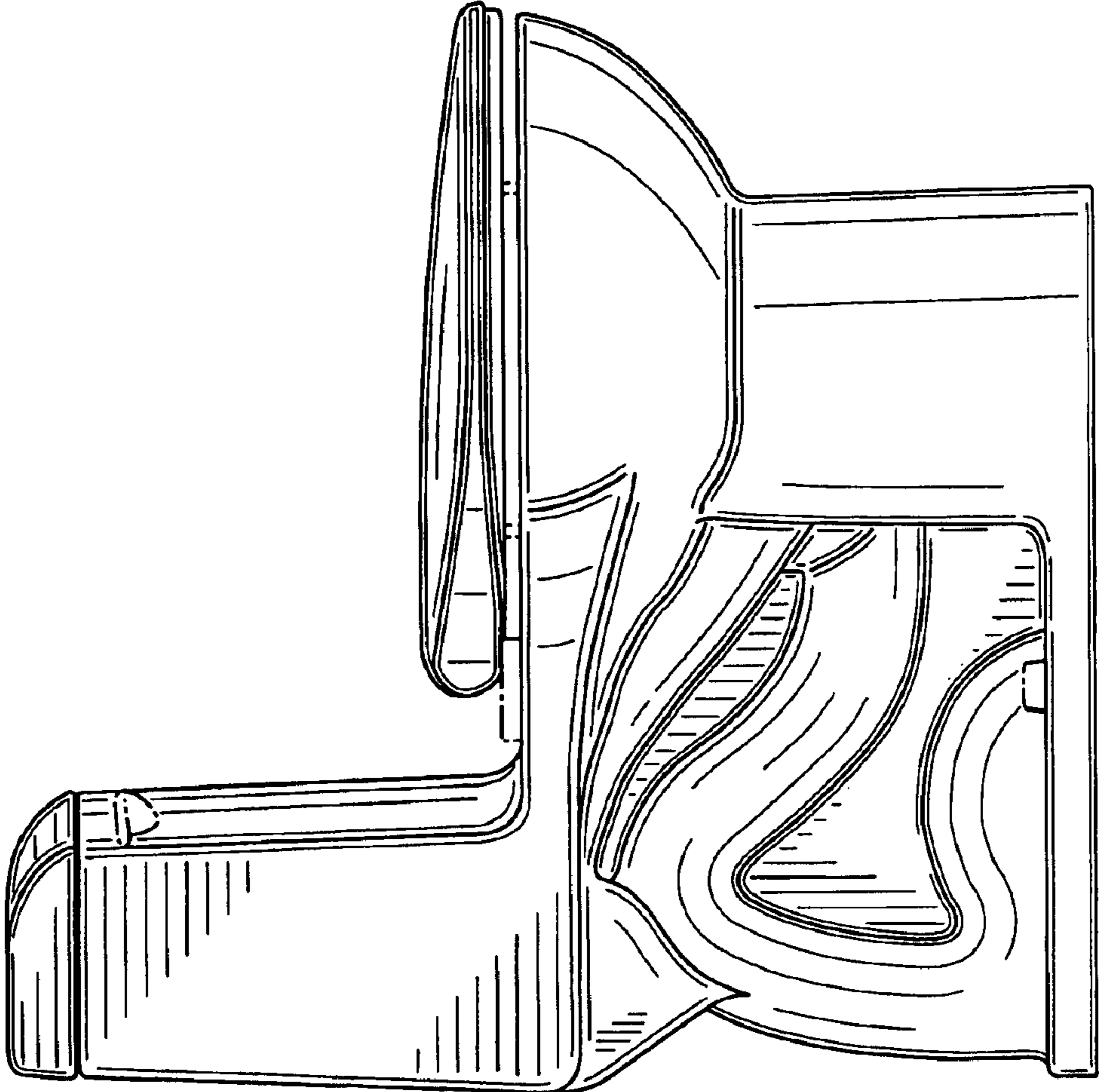


FIG. 4

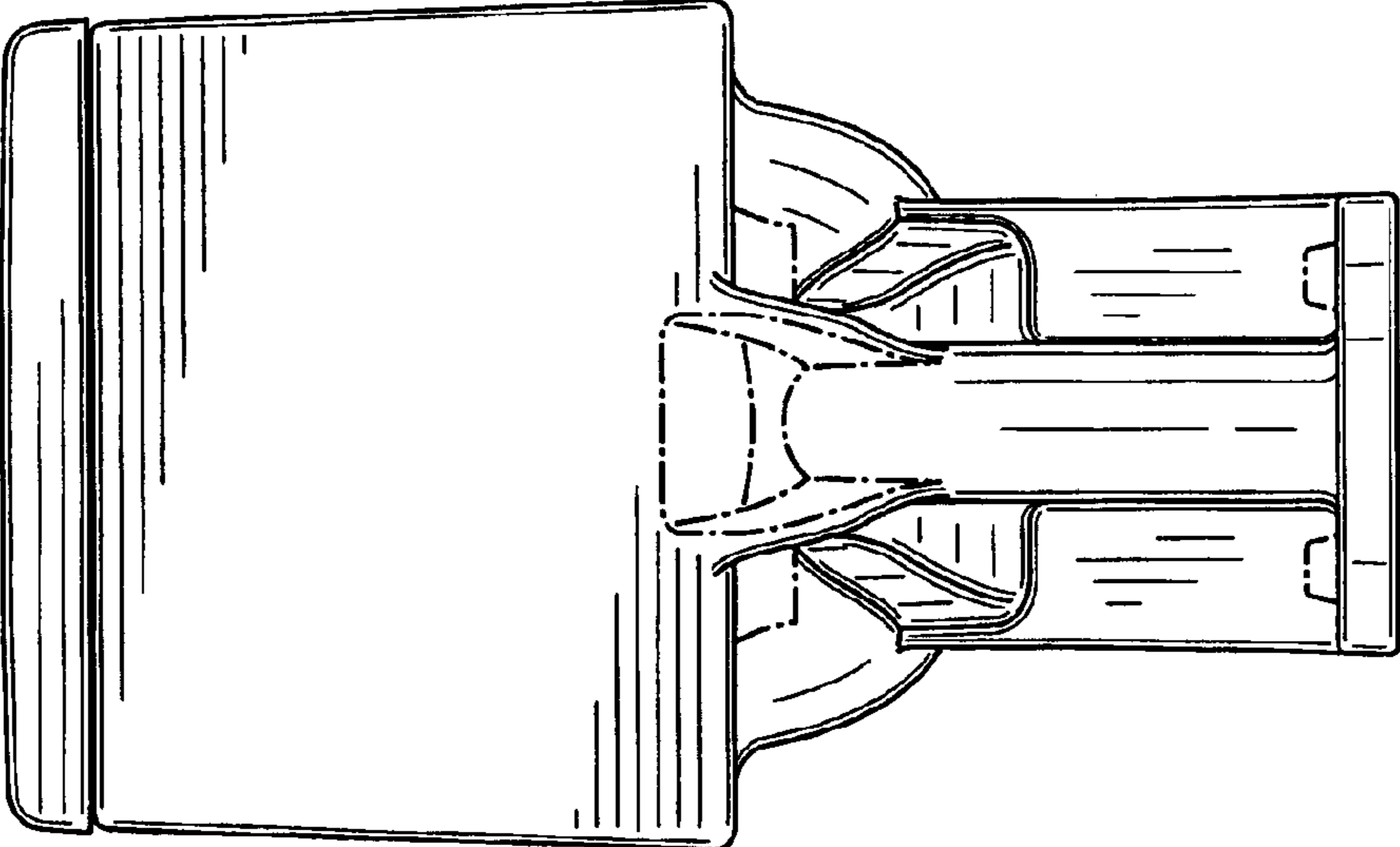


FIG. 5

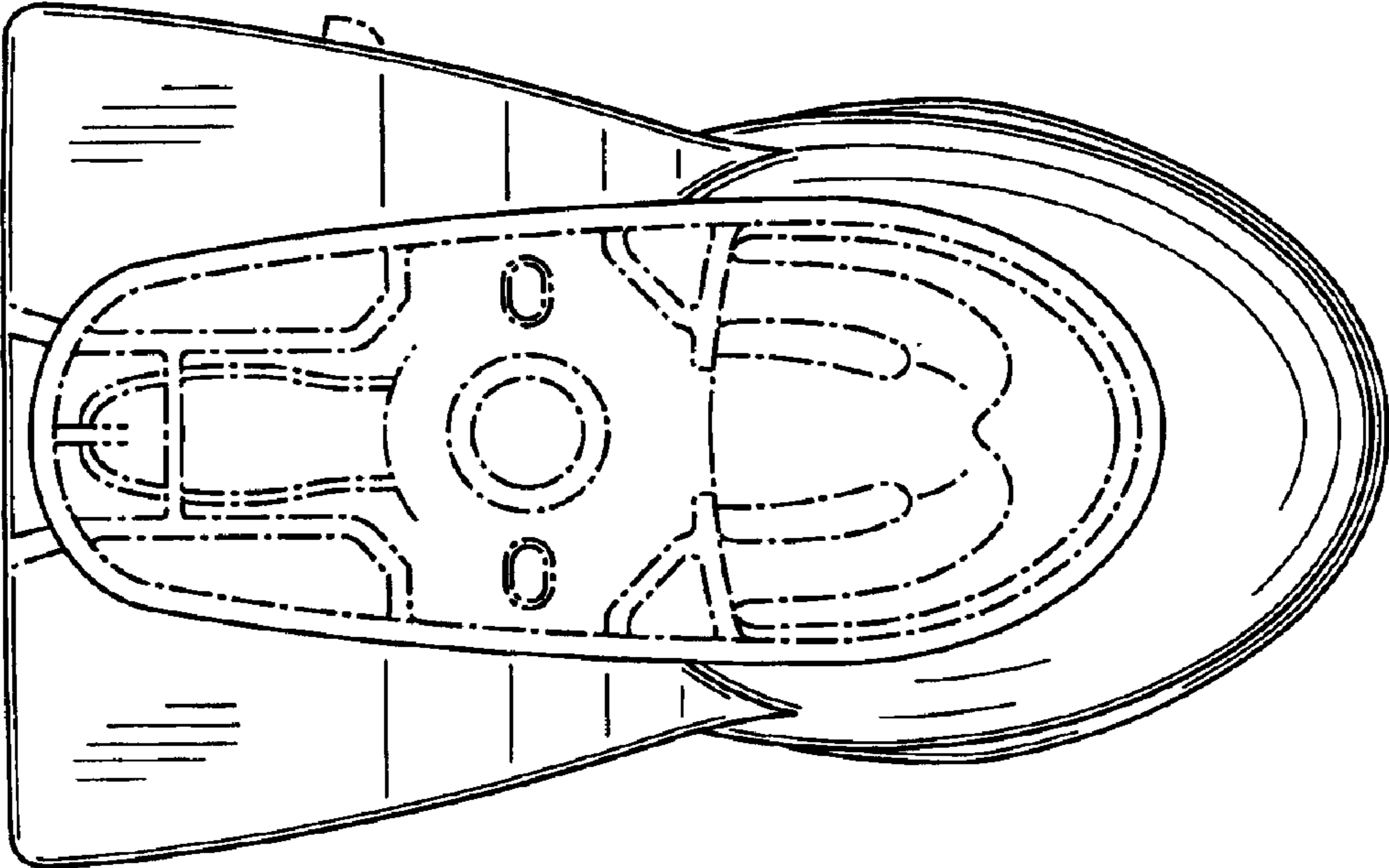


FIG. 6