

US00D507820S

(12) **United States Design Patent**
Blomstrom

(10) **Patent No.:** **US D507,820 S**

(45) **Date of Patent:** **** Jul. 26, 2005**

(54) **SHOWERHEAD**

(75) Inventor: **John K. Blomstrom**, Sheboygan Falls, WI (US)

(73) Assignee: **Kohler Co.**, Kohler, WI (US)

(**) Term: **14 Years**

(21) Appl. No.: **29/216,360**

(22) Filed: **Nov. 2, 2004**

Related U.S. Application Data

(62) Division of application No. 29/194,519, filed on Nov. 25, 2003, now Pat. No. Des. 500,839.

(51) **LOC (8) Cl.** **23-01**

(52) **U.S. Cl.** **D23/229**

(58) **Field of Search** D23/213, 229, D23/230, 223; 239/282, 283

(56) **References Cited**

U.S. PATENT DOCUMENTS

D290,497 S	6/1987	Huen	
D328,944 S	8/1992	Robbins	
D430,267 S	* 8/2000	Milrud et al.	D23/229
D465,553 S	11/2002	Singtoroj	
D467,300 S	12/2002	Singtoroj	
D467,638 S	* 12/2002	Lord	D23/229
D476,062 S	6/2003	Singtoroj et al.	
D487,498 S	3/2004	Blomstrom	
D501,242 S	* 1/2005	Blomstrom	D23/229
2001/0008256 A1	7/2001	Marsh et al.	

OTHER PUBLICATIONS

2000 Kohler catalog ad., p.2.43, showing escutcheons for "Memoirs Classic" handles and showerhead.

2001 Kohler catalog ad, p.2.79, showing a K-7351 showerhead.

U.S. Pat. Des. No. 328,944, Aug. 25, 1992, Robbins, Shower Head.

Patent Application Publication US2001/0008256 A1, Jul. 19, 2001, Sheet 14 of 14, FIG. 23.

* cited by examiner

Primary Examiner—Robin V. Taylor

(74) *Attorney, Agent, or Firm*—Quarles & Brady LLP

(57) **CLAIM**

The ornamental design for a showerhead, as shown and described.

DESCRIPTION

In a preferred embodiment, the nature of this product is as a showerhead primarily useful for enabling a water spray from a plumbing fitting.

FIG. 1 is a left, top, front perspective view of a showerhead embodying my new design;

FIG. 2 is a front elevational view thereof;

FIG. 3 is a left side elevational view thereof, the right side elevational view thereof being a mirror image of the left side shown;

FIG. 4 is a top plan view thereof, the bottom plan view thereof being a mirror image of the top plan view shown; and,

FIG. 5 is a rear elevational view thereof.

The broken line representations of a notch in FIGS. 1 and 3, of a tab in FIGS. 2, 3 and 5, and of mounting structure in FIG. 5, are for the purpose of illustration only, and form no part of the claimed design.

1 Claim, 4 Drawing Sheets

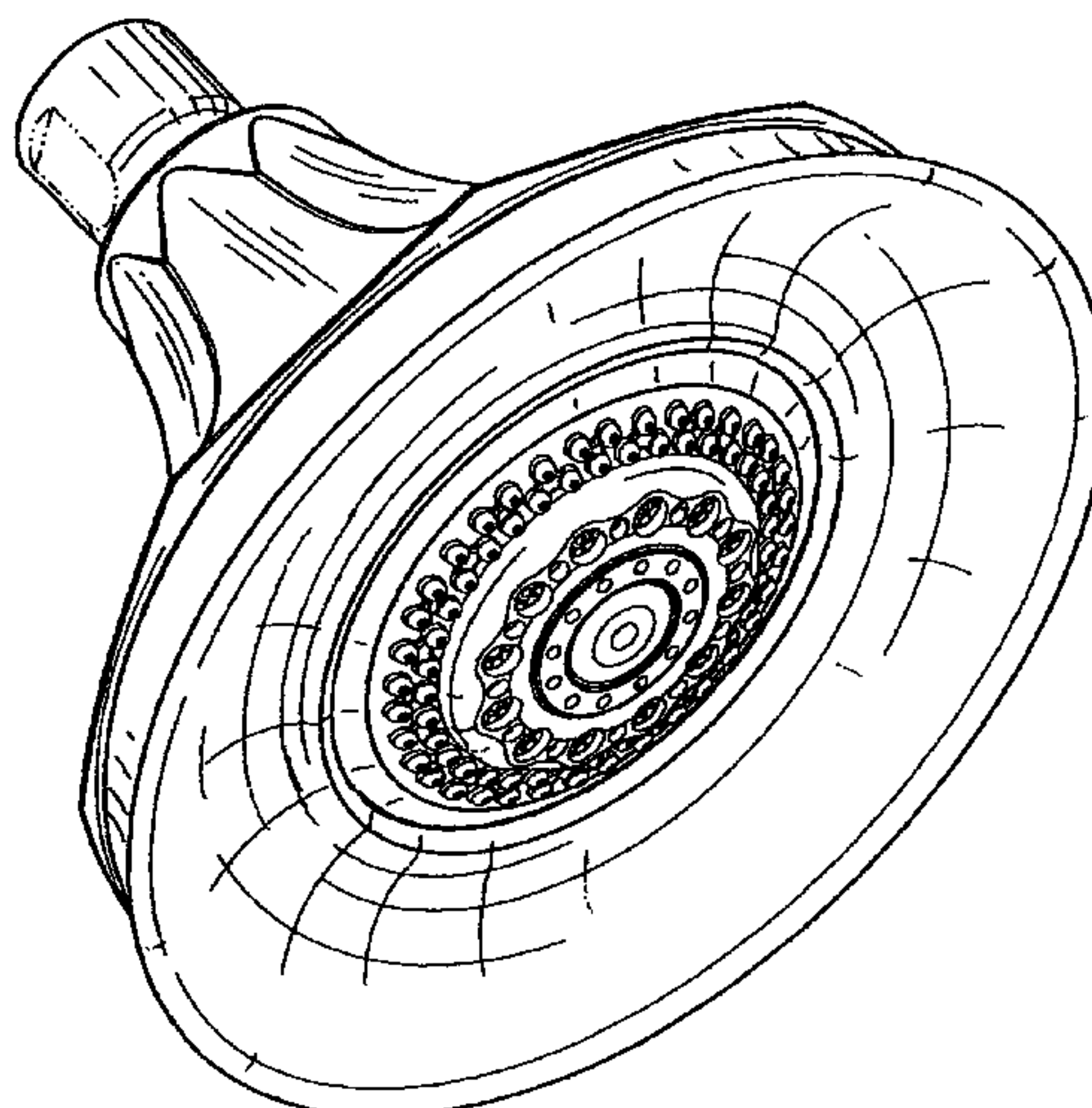
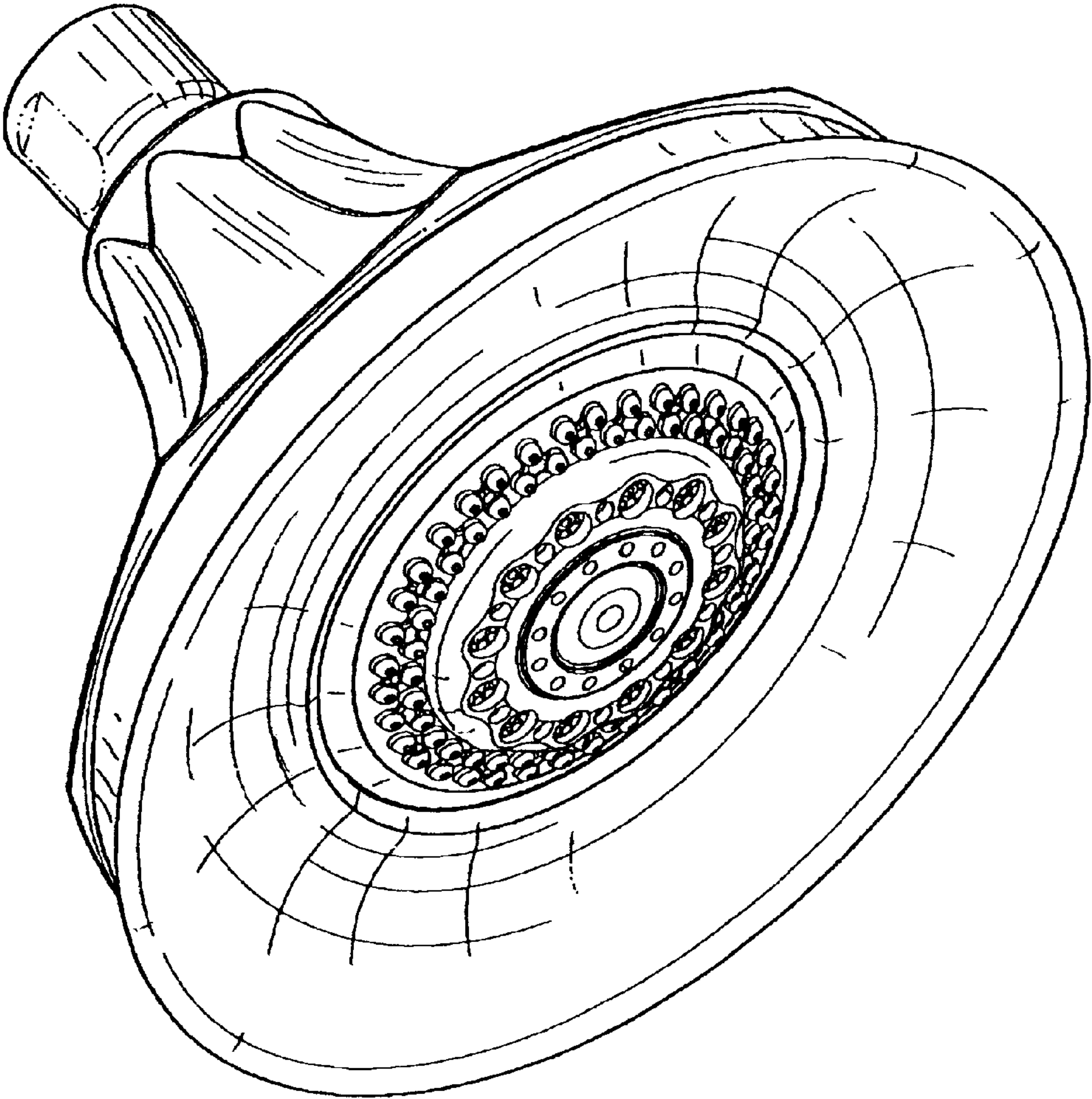


FIG. 1



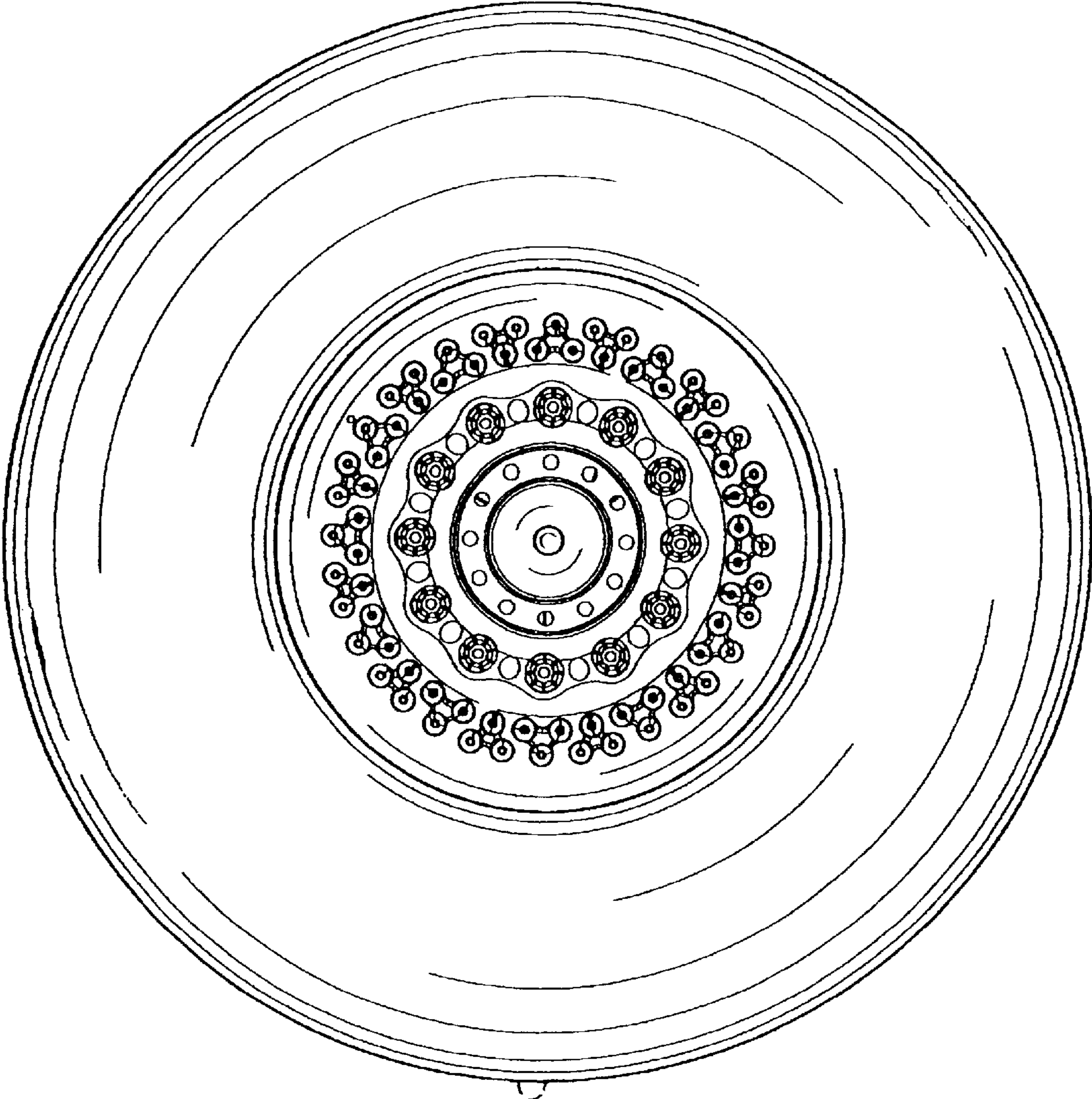


FIG. 2

FIG. 3

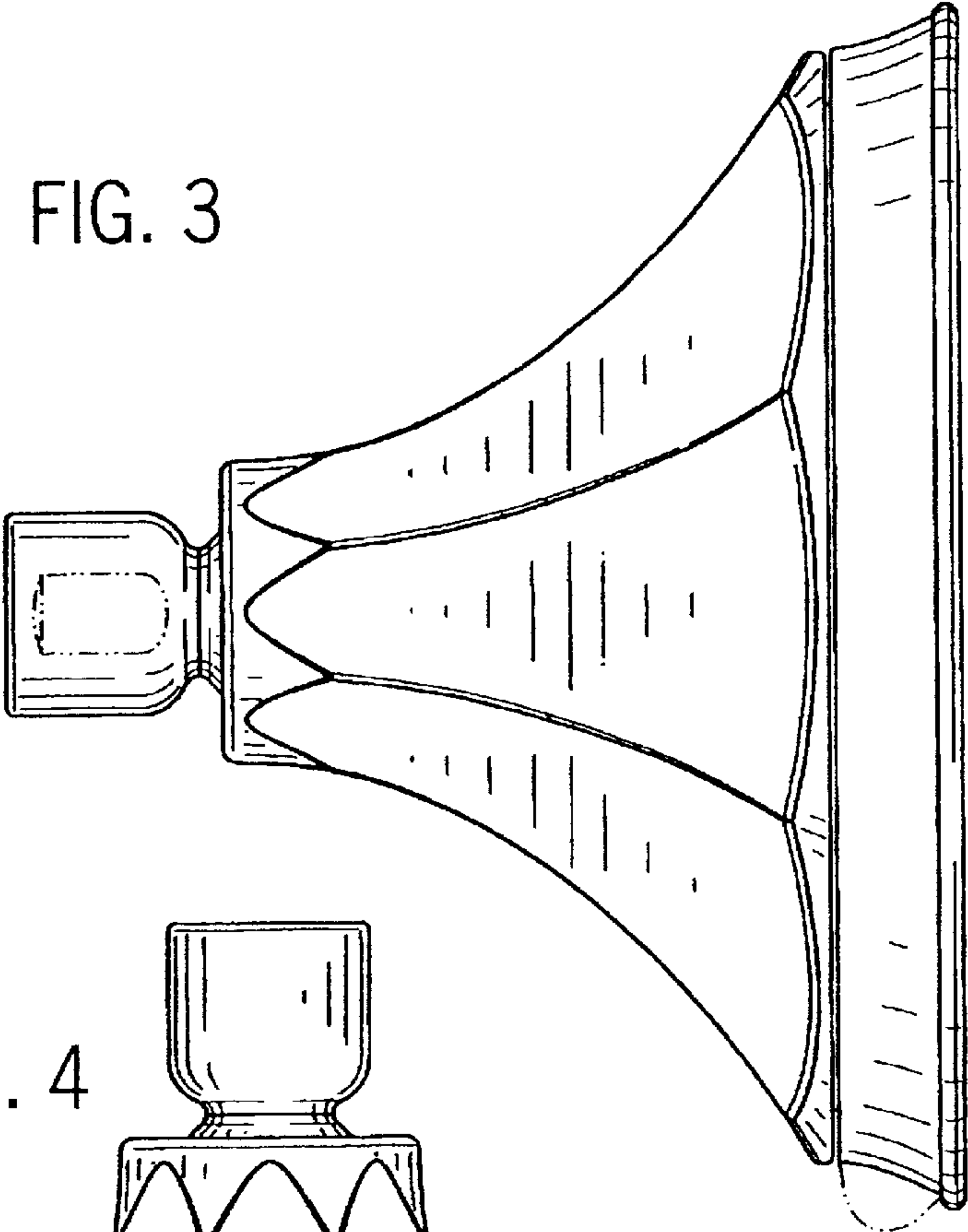
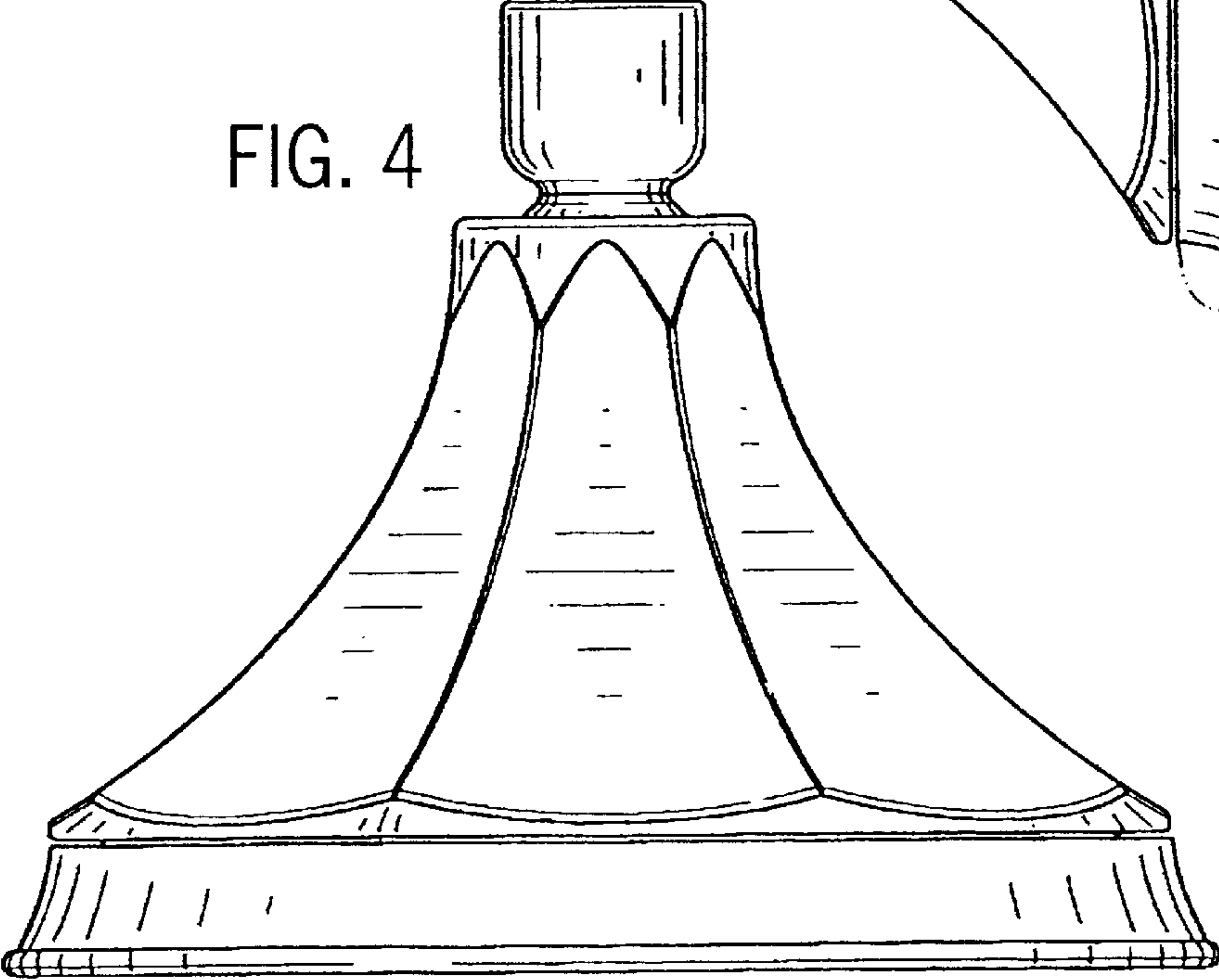


FIG. 4



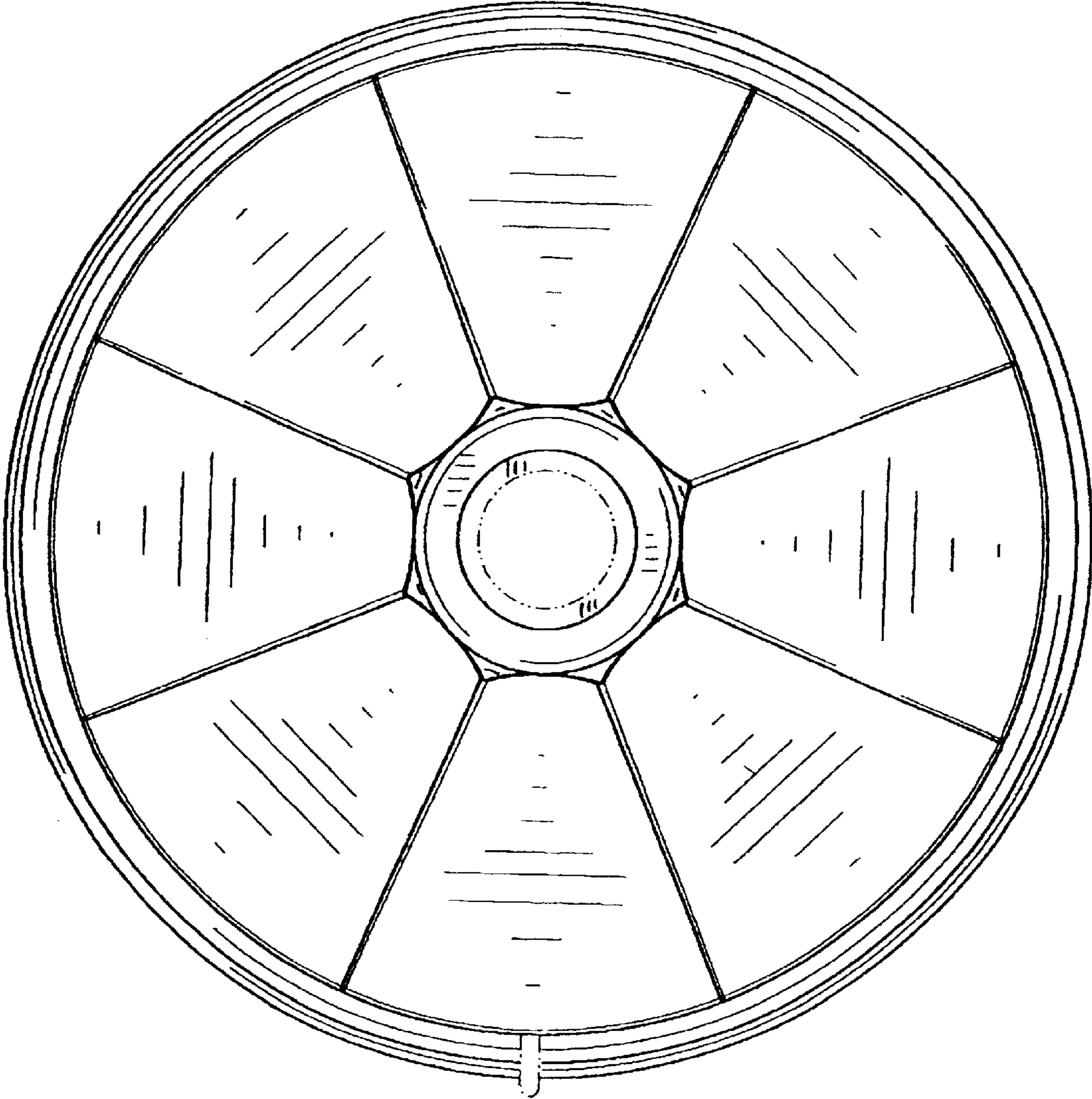


FIG. 5