



US00D507818S

(12) **United States Design Patent** (10) **Patent No.:** **US D507,818 S**  
**Wu** (45) **Date of Patent:** **\*\* Jul. 26, 2005**

(54) **WATER SPRINKLER**

(74) *Attorney, Agent, or Firm*—Charles E. Baxley

(76) **Inventor:** **Sheng Li Wu**, P.O. Box 63-298,  
Taichung (TW), 406

(57) **CLAIM**

(\*\*) **Term:** **14 Years**

The ornamental design for a water sprinkler, as shown and described.

(21) **Appl. No.:** **29/205,784**

**DESCRIPTION**

(22) **Filed:** **May 19, 2004**

(51) **LOC (8) Cl.** ..... **23-01**

FIG. 1 is a perspective view of a water sprinkler showing my new design;

(52) **U.S. Cl.** ..... **D23/214**

FIG. 2 is a front elevational view thereof;

(58) **Field of Search** ..... D23/213, 214,  
D23/217; 239/200-1, 203-4, DIG. 1

FIG. 3 is a rear elevational view thereof;

(56) **References Cited**

FIG. 4 is a top plan view thereof;

**U.S. PATENT DOCUMENTS**

FIG. 5 is a bottom plan view thereof;

- 2,746,792 A \* 5/1956 Hough ..... 239/276
- 3,193,205 A \* 7/1965 Hanson ..... 239/276
- 4,095,744 A \* 6/1978 Vilelli ..... 239/1
- D466,972 S \* 12/2002 Clivio ..... D23/214
- 6,732,946 B2 \* 5/2004 Veazie ..... 239/71

FIG. 6 is a left side elevational view thereof;

**OTHER PUBLICATIONS**

FIG. 7 is a right side elevational view thereof; and,

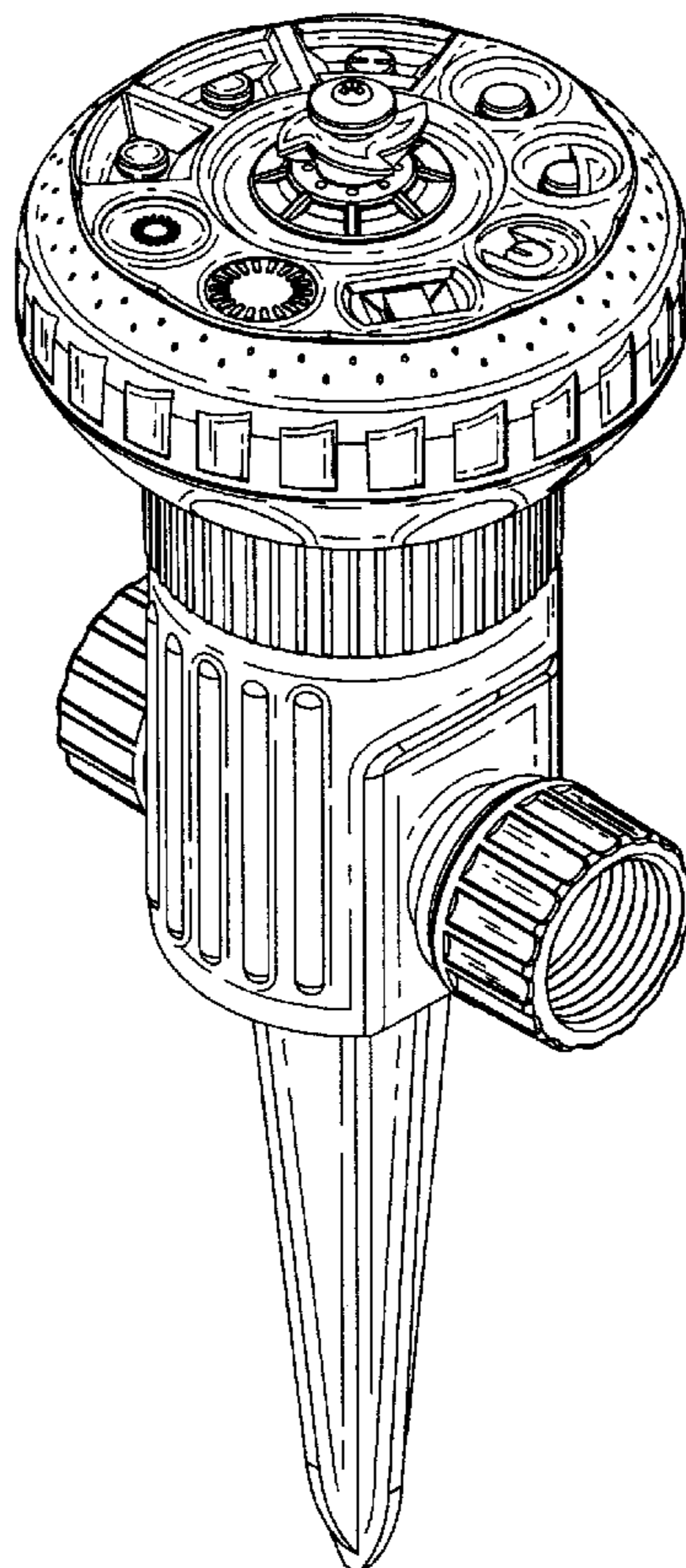
Gardena catalog 1996; Rotating Sprinkler on a Spike p. 9.\*

FIG. 8 is a perspective view thereof, the spraying water depicted by means of broken lines being illustrative purposes only and forming no part of the claimed design.

\* cited by examiner

*Primary Examiner*—Robin V. Taylor

**1 Claim, 7 Drawing Sheets**



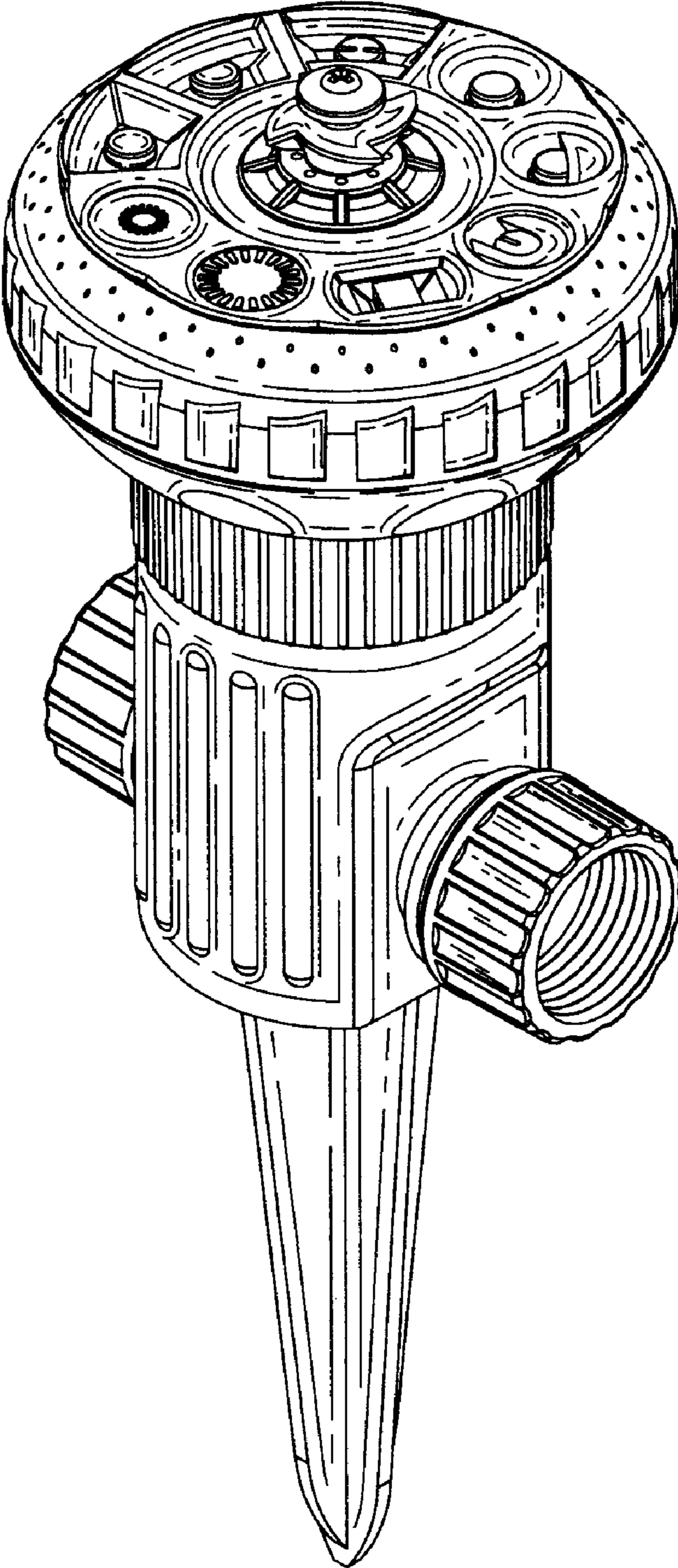


FIG. 1

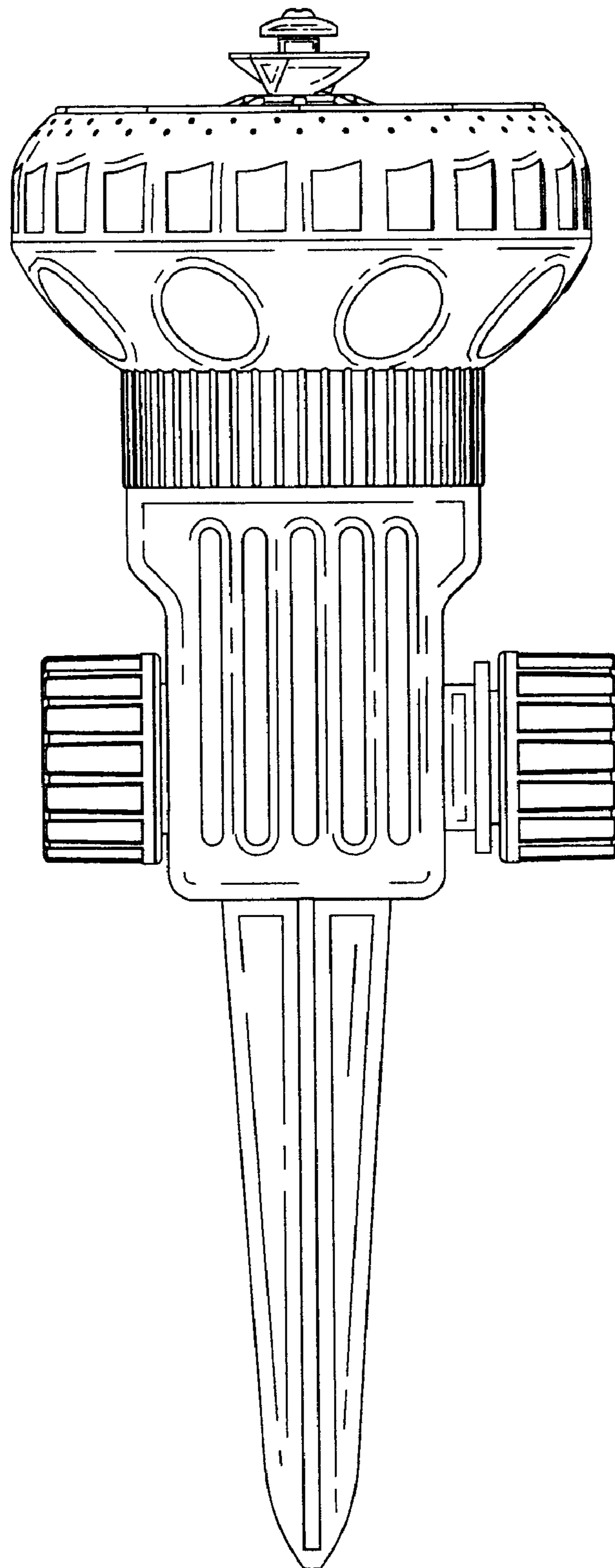


FIG. 2

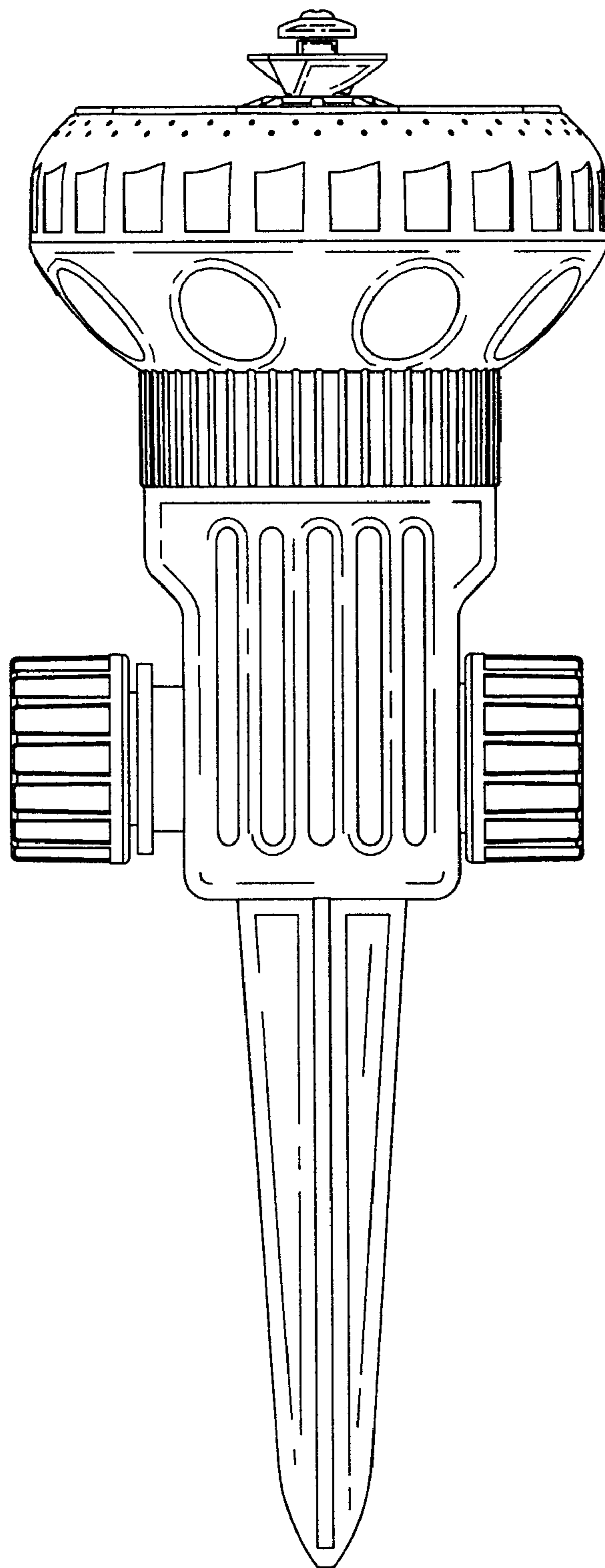


FIG. 3

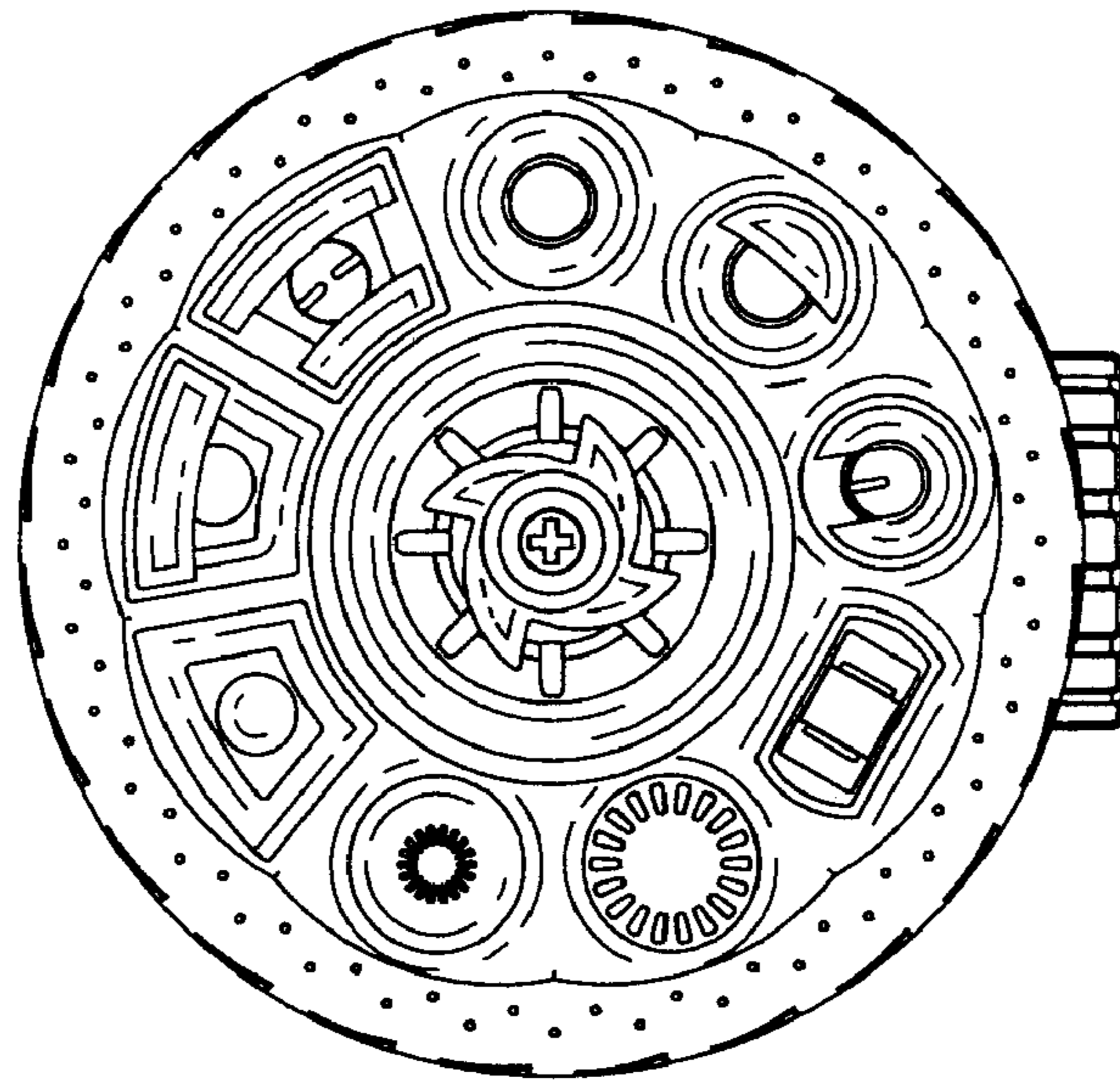


FIG. 4

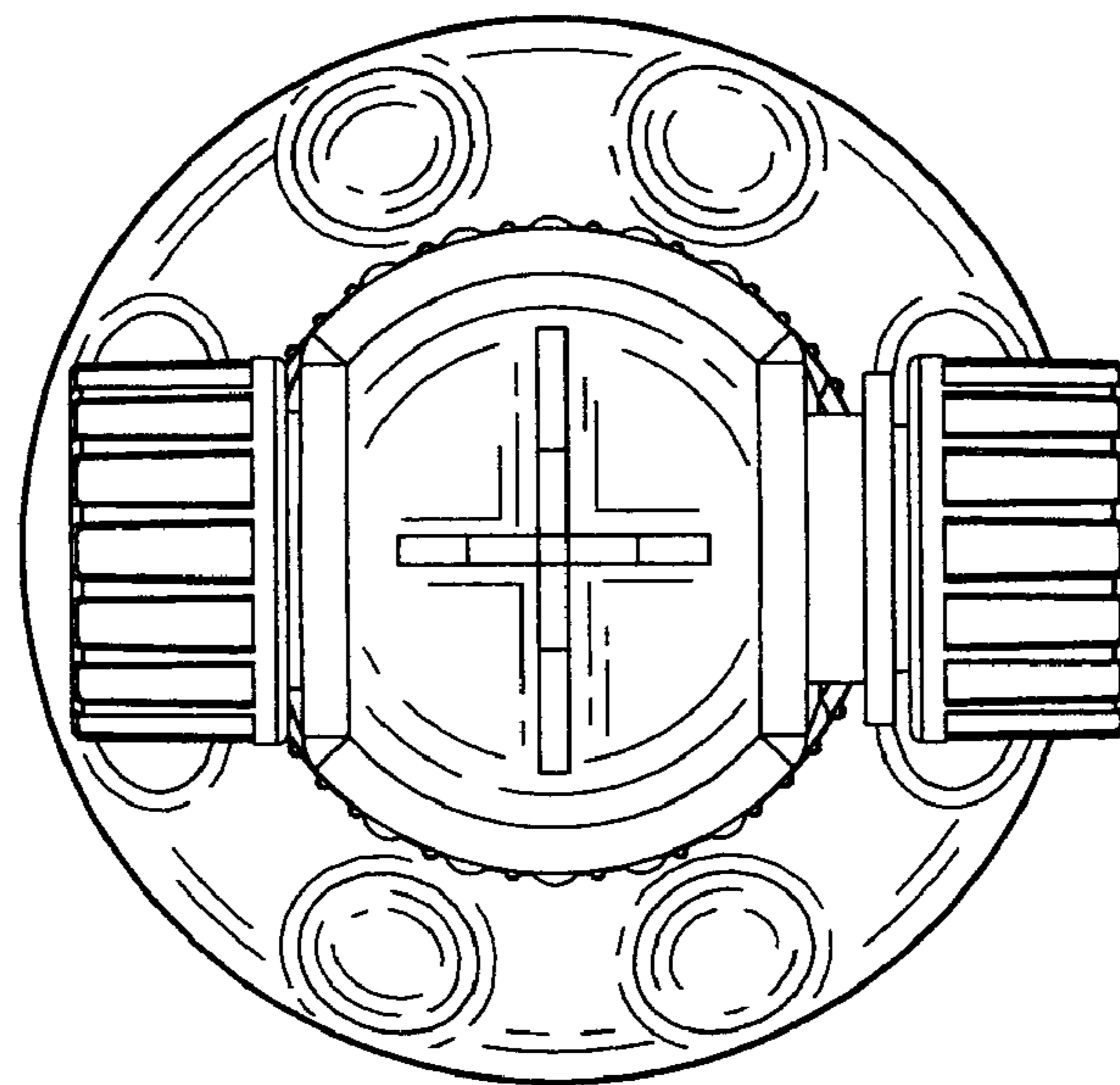


FIG. 5

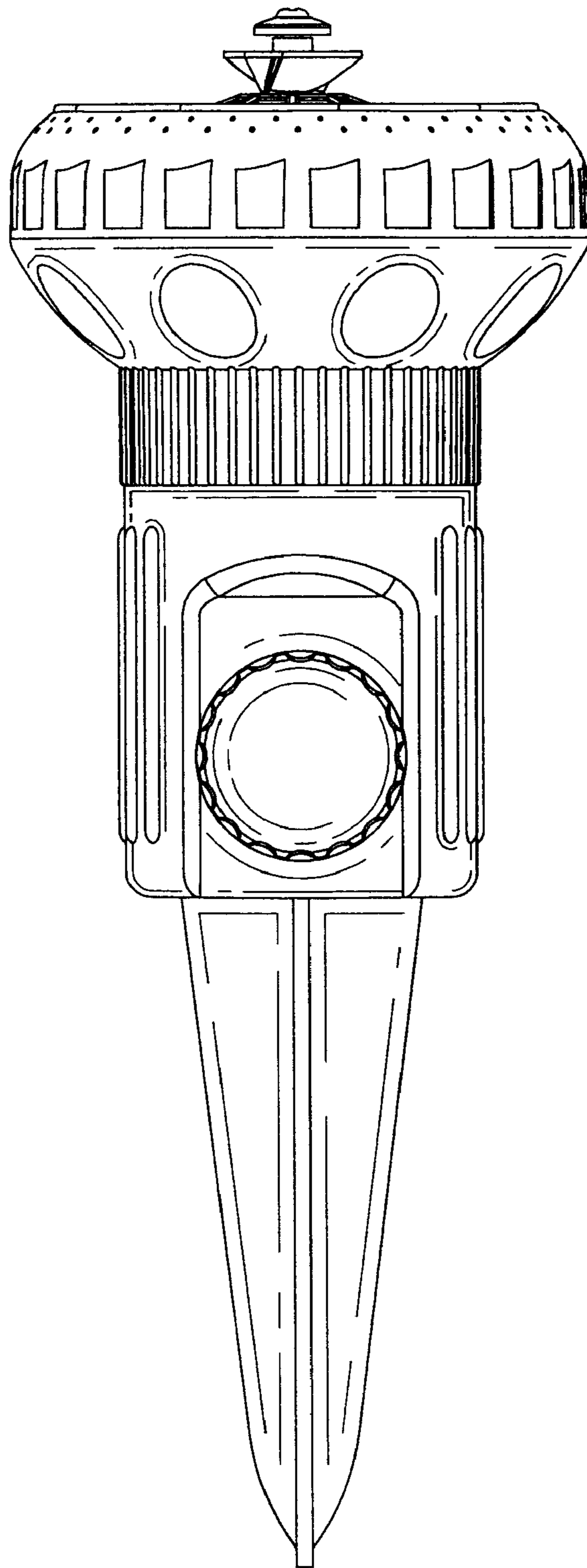


FIG. 6

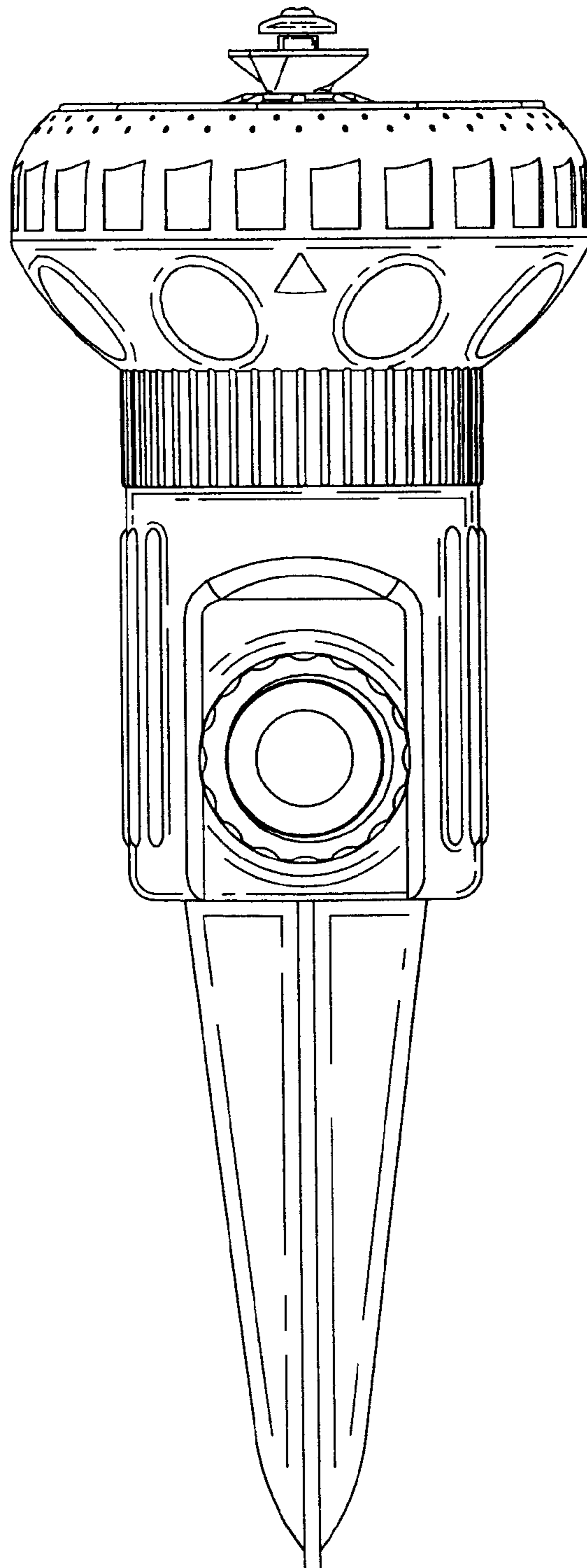


FIG. 7

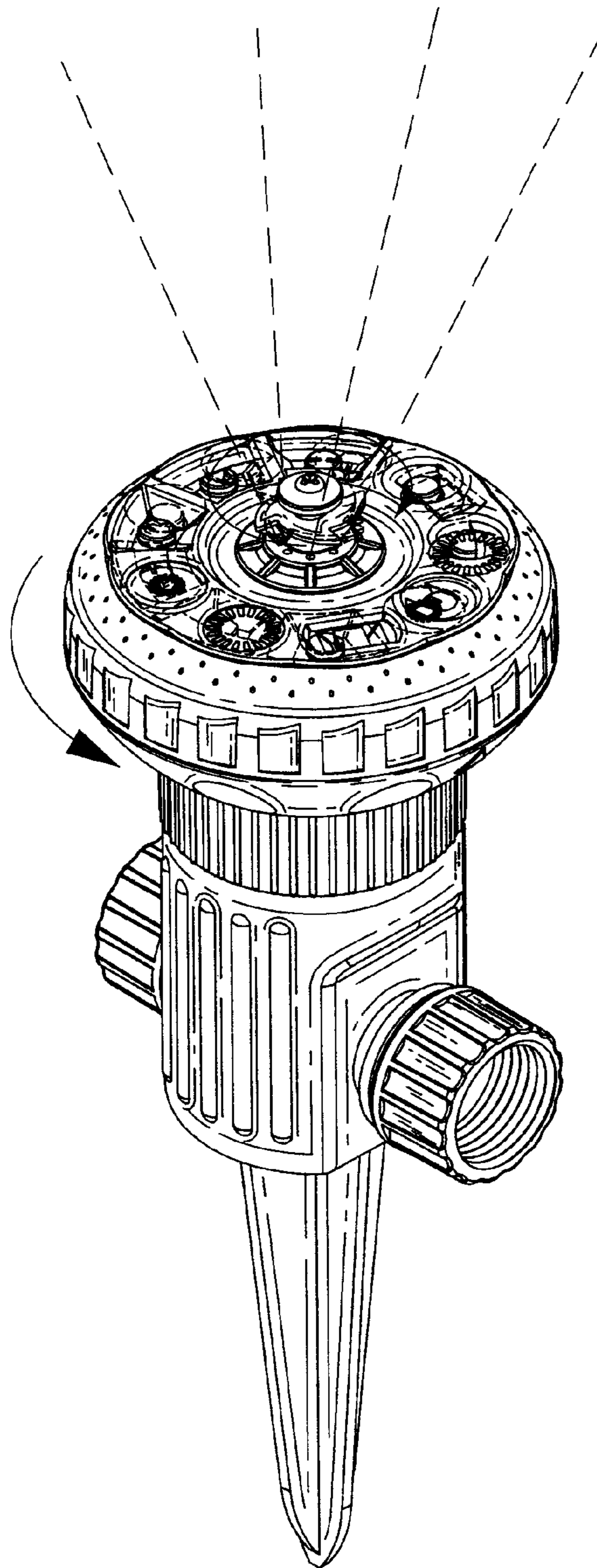


FIG. 8