

US00D507817S

(12) **United States Design Patent**
Mitchell

(10) **Patent No.:** **US D507,817 S**

(45) **Date of Patent:** **** Jul. 26, 2005**

(54) **SELF-SUPPORTING FISHING ROD HOLDER**

(76) **Inventor:** **Larry W. Mitchell**, 1543 Delucci La.,
#C, Reno, NV (US) 89502

(**) **Term:** **14 Years**

(21) **Appl. No.:** **29/199,693**

(22) **Filed:** **Feb. 17, 2004**

Related U.S. Application Data

(63) Continuation of application No. 10/304,307, filed on Nov. 25, 2002, now abandoned.

(51) **LOC (8) Cl.** **22-05**

(52) **U.S. Cl.** **D22/147**

(58) **Field of Search** D22/147, 148,
D22/138-139; 43/21.2, 16-17; 248/530-532,
545; 285/222, 123.1, 120.1

(56) **References Cited**

U.S. PATENT DOCUMENTS

1,439,644 A	12/1922	Scharek	40/443
1,788,157 A	5/1931	Hogan	248/531
D179,525 S	1/1957	Porter	D22/147
D221,278 S	7/1971	Wright	D22/147
4,036,514 A	7/1977	Hannover	285/222
4,485,579 A	12/1984	Hawie	43/21.2
4,964,233 A	10/1990	Benson et al.	43/17
5,058,308 A	10/1991	Girard	43/17
D352,089 S	11/1994	Barber et al.	D22/147
5,435,093 A	7/1995	Minorics et al.	43/19.2
5,533,295 A	7/1996	Hochberger	43/21.2

D375,996 S	11/1996	Weatherman	D22/148
5,570,532 A	11/1996	Shaffer et al.	43/17
D381,392 S	7/1997	Darling	D22/148
5,692,720 A	12/1997	Griggs	248/530
5,806,814 A	9/1998	White	248/80
D413,648 S	9/1999	Simpson et al.	D22/147
5,987,803 A	11/1999	White	43/21.2
5,987,804 A	11/1999	Shearer et al.	43/21.2
5,992,804 A	11/1999	Johnson	248/157
D438,281 S	2/2001	Webster	D22/147
6,244,557 B1	6/2001	Maze	248/541
6,289,627 B1	9/2001	Gibbs et al.	43/21.2
6,490,823 B1	12/2002	Ibarra	43/21.2
6,557,292 B1 *	5/2003	Howard	43/21.2
D485,601 S *	1/2004	Bertram	D22/147
2003/0230024 A1 *	12/2003	Roberson	43/21.2

* cited by examiner

Primary Examiner—Catherine R. Oliver
(74) *Attorney, Agent, or Firm*—Sierra Patent Group, Ltd

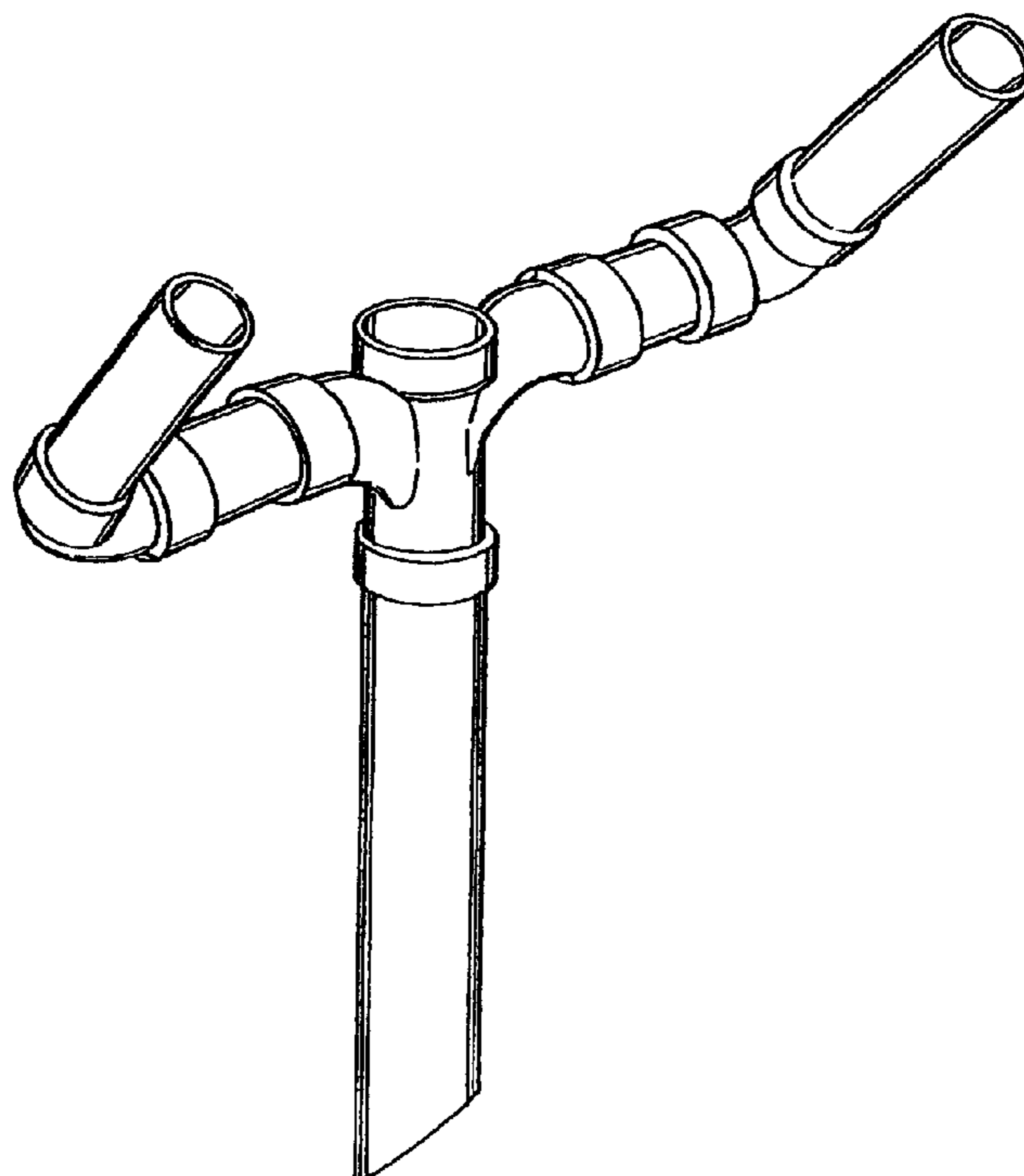
(57) **CLAIM**

The ornamental design for a self-supporting fishing rod holder, as shown and described.

DESCRIPTION

FIG. 1 is a perspective view of a self-supporting fishing rod holder.
FIG. 2 is a rear view of a self-supporting fishing rod holder.
FIG. 3 is a top view of a self-supporting fishing rod holder; and,
FIG. 4 is a side view of a self-supporting fishing rod holder.

1 Claim, 3 Drawing Sheets



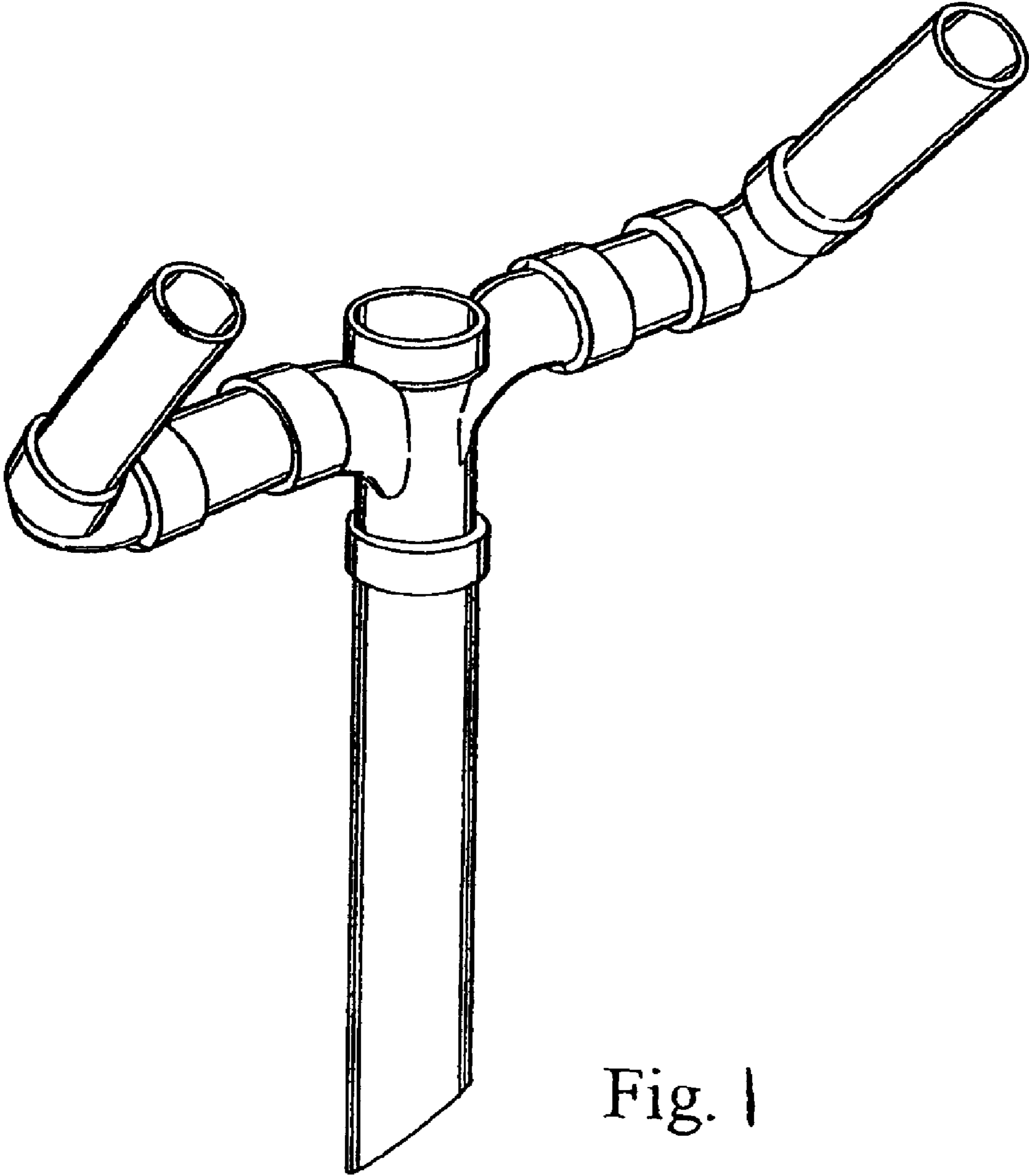


Fig. 1

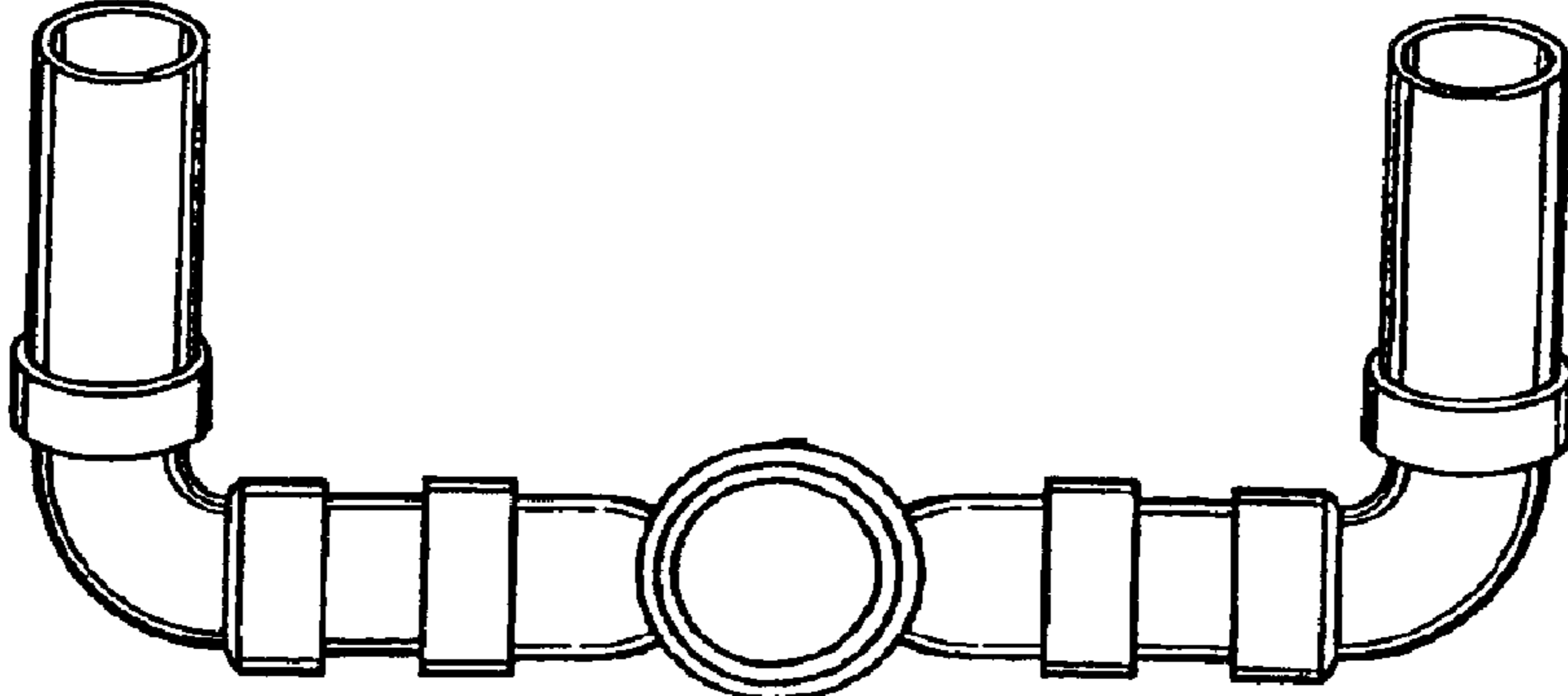


Fig. 3

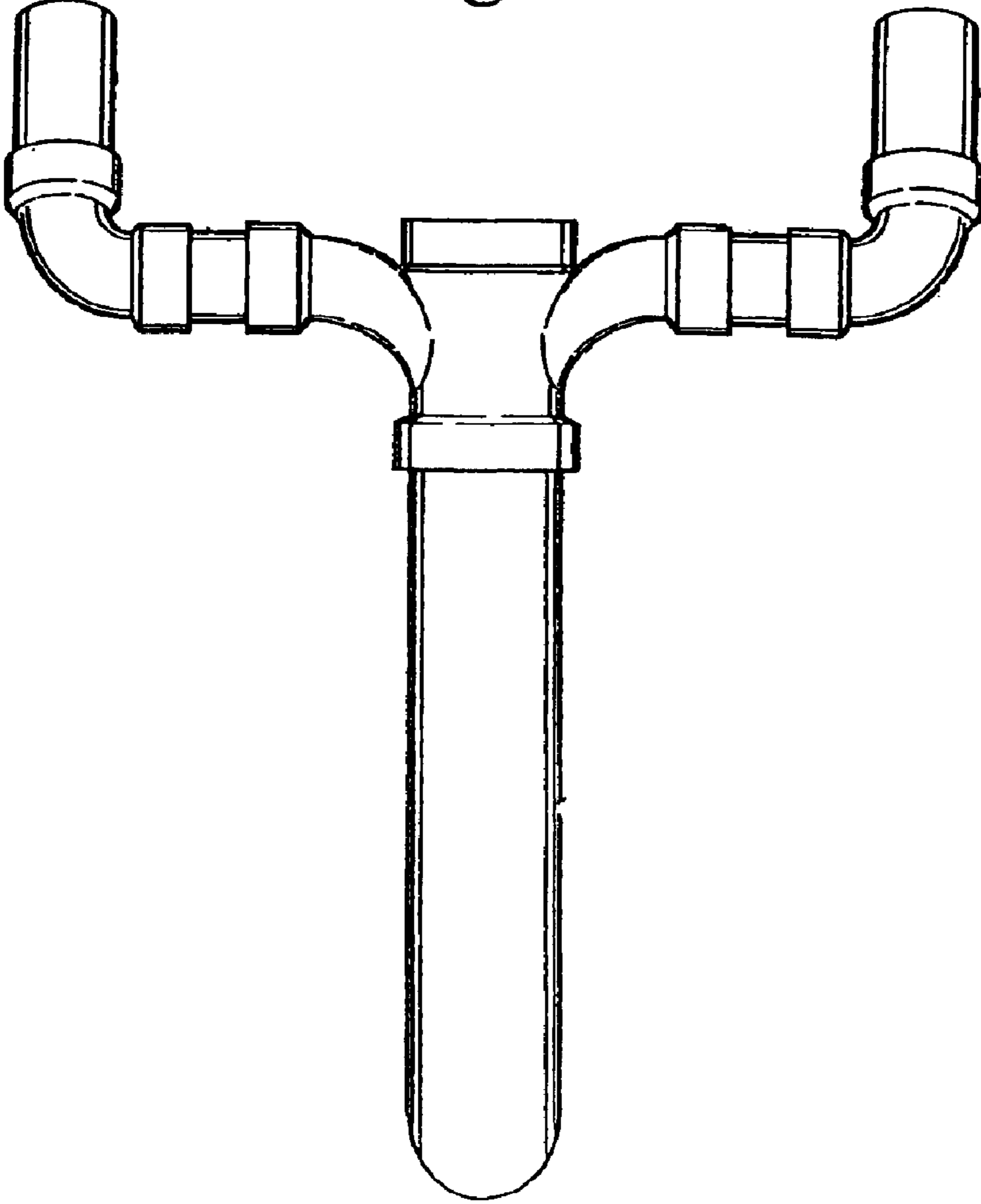


Fig. 2

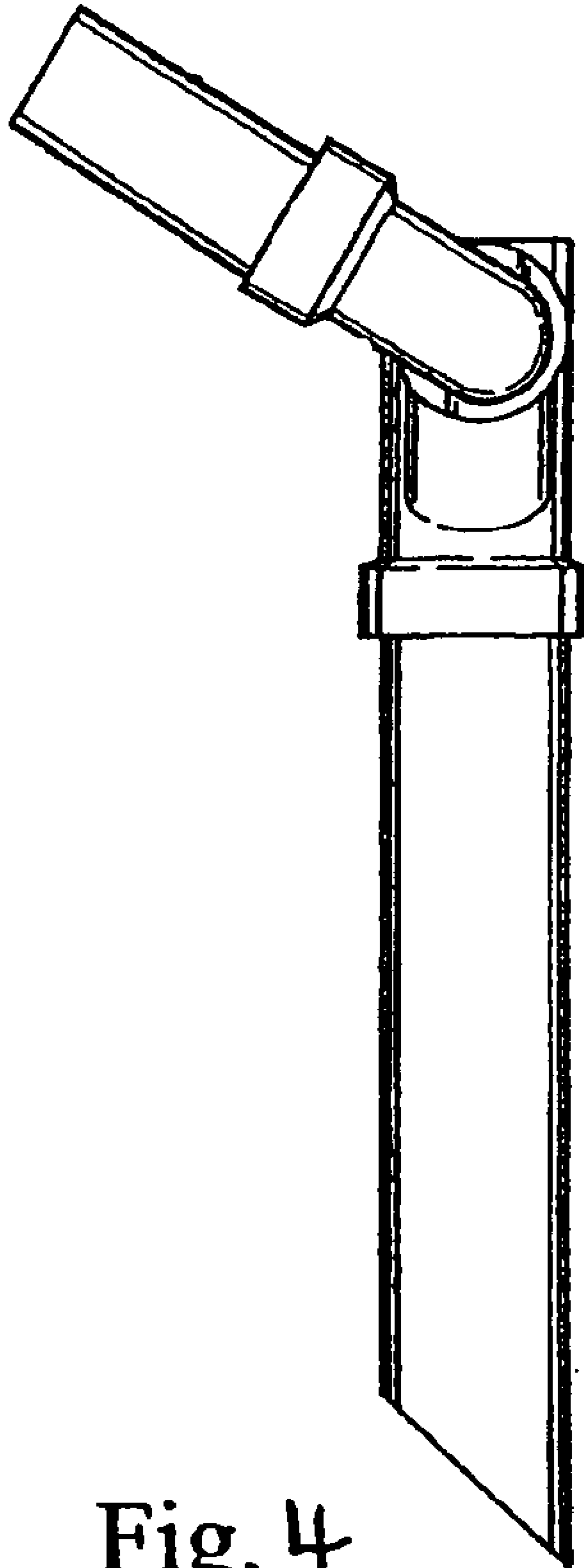


Fig. 4