



US00D507811S

(12) **United States Design Patent**  
**Shibata et al.**

(10) **Patent No.:** **US D507,811 S**  
(45) **Date of Patent:** **\*\* Jul. 26, 2005**

(54) **BALL POINT PEN**

(75) Inventors: **Tomoaki Shibata**, Tokyo (JP); **Keitaro Tsuboki**, Tokyo (JP)

(73) Assignee: **Pentel Kabushiki Kaisha**, Tokyo (JP)

(\*\*) Term: **14 Years**

(21) Appl. No.: **29/204,442**

(22) Filed: **Apr. 29, 2004**

(30) **Foreign Application Priority Data**

Jun. 11, 2003 (JP) ..... 2003-032730

(51) **LOC (8) Cl.** ..... **19-06**

(52) **U.S. Cl.** ..... **D19/49; D19/56**

(58) **Field of Search** ..... D19/35, 36, 41-51,  
D19/53-58, 81-85; 401/6, 7, 88, 99, 100-106,  
107-110, 111-117, 209; 24/10 R, 11 R,  
11 P, 11 C, 11 F, 11 M, 11 CT

(56) **References Cited**

**U.S. PATENT DOCUMENTS**

D258,219 S \* 2/1981 Oka ..... D19/49  
D260,021 S \* 7/1981 Carre ..... D19/49  
4,371,278 A \* 2/1983 Joo ..... 401/195  
D294,281 S \* 2/1988 Song ..... D19/47  
5,056,945 A \* 10/1991 Klodt ..... 401/6

D324,543 S \* 3/1992 Poisson ..... D19/49  
D332,963 S \* 2/1993 Anavil et al. .... D19/49  
D404,428 S \* 1/1999 Takahashi ..... D19/49  
D414,202 S \* 9/1999 Pellissa Beneyto ..... D19/47  
D433,705 S \* 11/2000 Kohlhase ..... D19/51  
D448,047 S \* 9/2001 Lewis, Jr. .... D19/47  
D494,218 S \* 8/2004 Anand ..... D19/51

\* cited by examiner

*Primary Examiner*—Martie K. Holtje

(74) *Attorney, Agent, or Firm*—Adams & Wilks

(57) **CLAIM**

The ornamental design for a ball point pen, as shown and described.

**DESCRIPTION**

FIG. 1 is a perspective view of a cap for a ball point pen showing our new design;  
FIG. 2 is a front view thereof;  
FIG. 3 is a bottom view thereof;  
FIG. 4 is a rear view thereof;  
FIG. 5 is a left side view thereof;  
FIG. 6 is a right side view thereof;  
FIG. 7 is an explanatory front view showing the state of use; and,  
FIG. 8 is an explanatory bottom view showing the state of use.

**1 Claim, 2 Drawing Sheets**

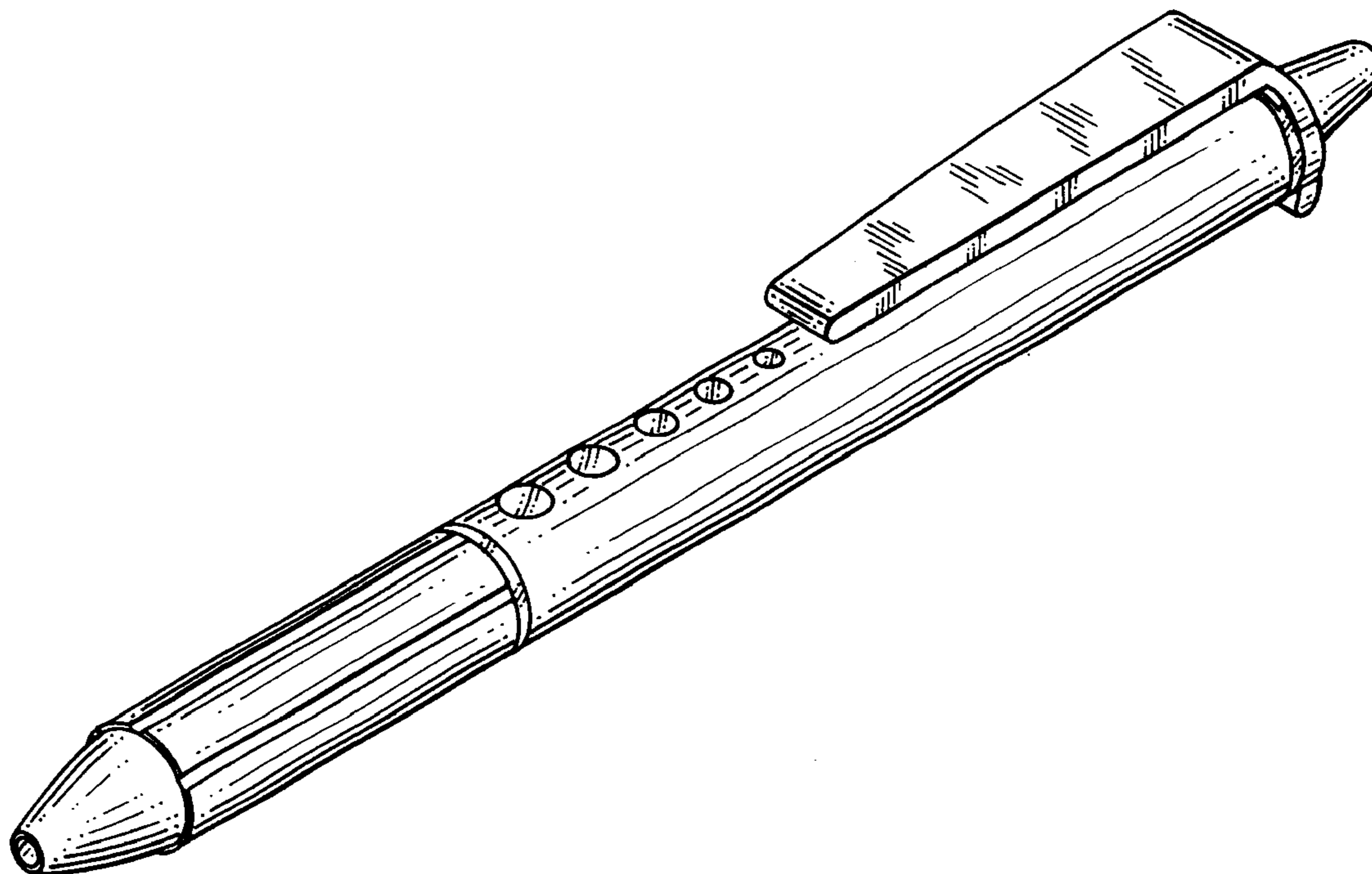


FIG. 1

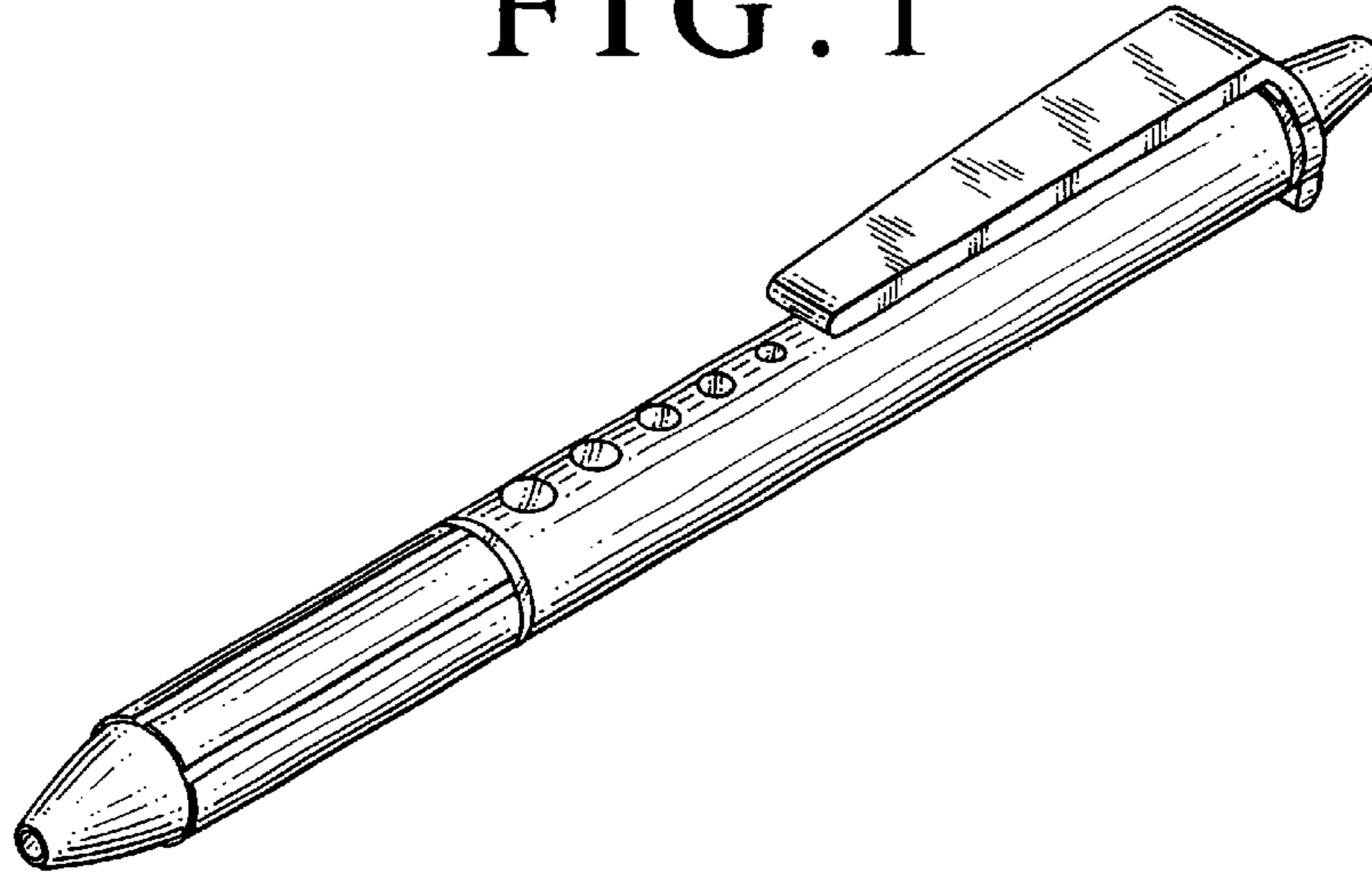


FIG. 2

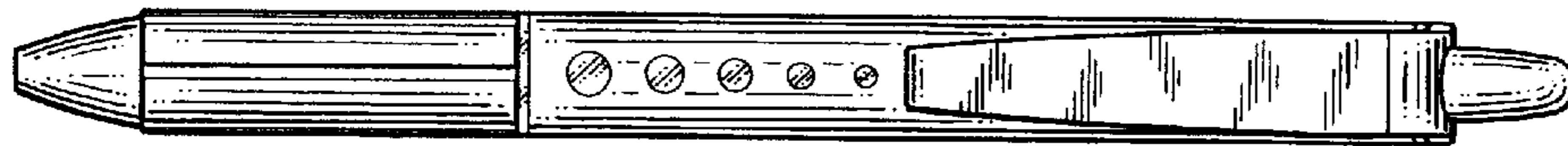


FIG. 3

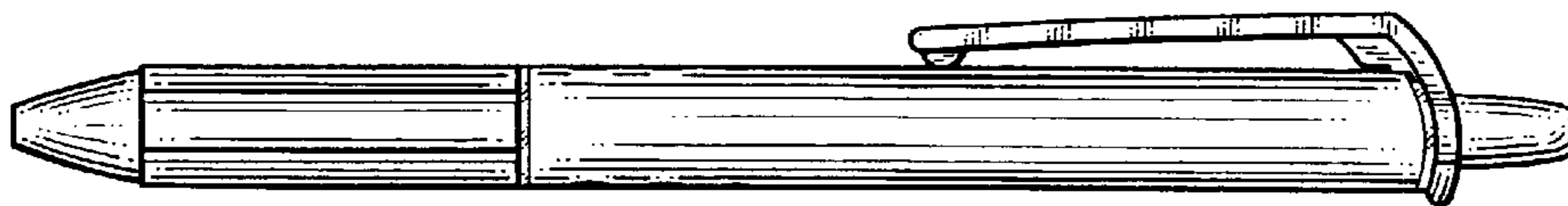


FIG. 4

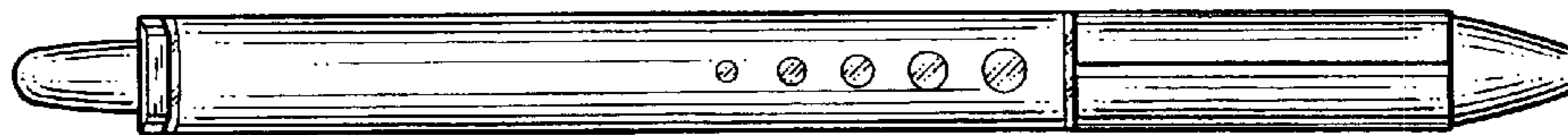


FIG. 5

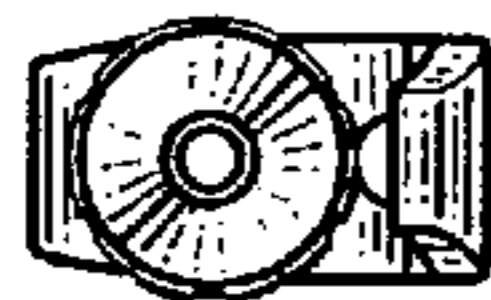


FIG. 6



FIG. 7

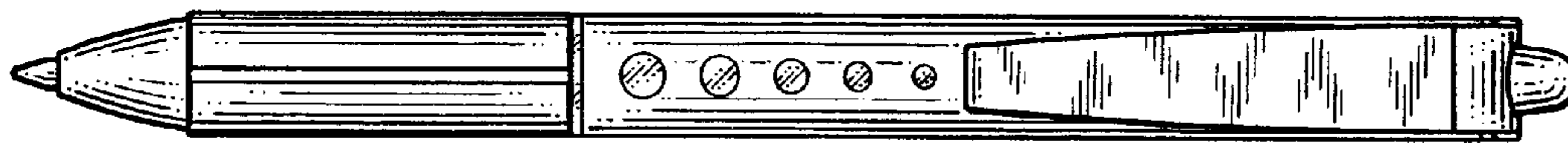


FIG. 8

