



US00D507807S

(12) **United States Design Patent**  
**Kida et al.**

(10) **Patent No.:** **US D507,807 S**  
(45) **Date of Patent:** **\*\* Jul. 26, 2005**

(54) **STAMP**

(75) Inventors: **Masaki Kida**, Setagaya-ku (JP);  
**Motohide Imaizumi**, Setagaya-ku (JP)

(73) Assignee: **Shachihata Inc.**, Aichi (JP)

(\*\*) Term: **14 Years**

(21) Appl. No.: **29/209,584**

(22) Filed: **Jul. 19, 2004**

(30) **Foreign Application Priority Data**

Jan. 21, 2004 (JP) ..... D2004-001348

(51) **LOC (8) Cl.** ..... **19-02**

(52) **U.S. Cl.** ..... **D18/15**

(58) **Field of Search** ..... D18/15-18, 50;  
101/333-334, 327, 405, 406, 328, 352.07;  
118/264, 268

(56) **References Cited**

**U.S. PATENT DOCUMENTS**

- 675,818 A \* 6/1901 Crabb ..... 118/268
- 4,289,070 A \* 9/1981 MacGregor ..... 101/327
- D372,729 S \* 8/1996 Hewitt ..... D18/18
- D376,383 S \* 12/1996 Harden ..... D18/15
- D385,905 S \* 11/1997 Harden ..... D18/15
- D412,181 S \* 7/1999 Harden ..... D18/15
- D417,232 S \* 11/1999 Harden ..... D18/15
- D444,808 S \* 7/2001 Dour et al. .... D18/15
- 6,367,382 B1 \* 4/2002 Imamaki et al. .... 101/405
- D495,732 S \* 9/2004 Treml ..... D18/15
- D497,936 S \* 11/2004 Kida et al. .... D18/15

**FOREIGN PATENT DOCUMENTS**

GB 2096026 \* 11/2000

GB 2096946 \* 11/2000

\* cited by examiner

*Primary Examiner*—Charles A. Rademaker

(74) *Attorney, Agent, or Firm*—Jacobson Holman PLLC

(57) **CLAIM**

The ornamental design for a stamp, as shown and described.

**DESCRIPTION**

FIG. 1 is a front elevation of a stamp showing our new design;

FIG. 2 is a rear elevation thereof;

FIG. 3 is a right side elevation thereof;

FIG. 4 is a left side elevation thereof;

FIG. 5 is a top plan elevation thereof;

FIG. 6 is a bottom plan view thereof;

FIG. 7 is a cross-sectional view taken along line A—A in FIG. 1;

FIG. 8 is a cross-sectional view taken along line B—B in FIG. 3;

FIG. 9 is a front elevation of the stamp body with the cap omitted for ease of illustration;

FIG. 10 is a rear elevation thereof;

FIG. 11 is a right side elevation thereof;

FIG. 12 is a left side elevation thereof;

FIG. 13 is a top plan view thereof;

FIG. 14 is a bottom plan view thereof;

FIG. 15 is a front elevation of the cap member with the stamp body omitted for ease of illustration;

FIG. 16 is a rear elevation thereof;

FIG. 17 is a right side elevation thereof;

FIG. 18 is a left side elevation thereof;

FIG. 19 is a top plan view thereof; and,

FIG. 20 is a bottom plan view thereof.

**1 Claim, 8 Drawing Sheets**

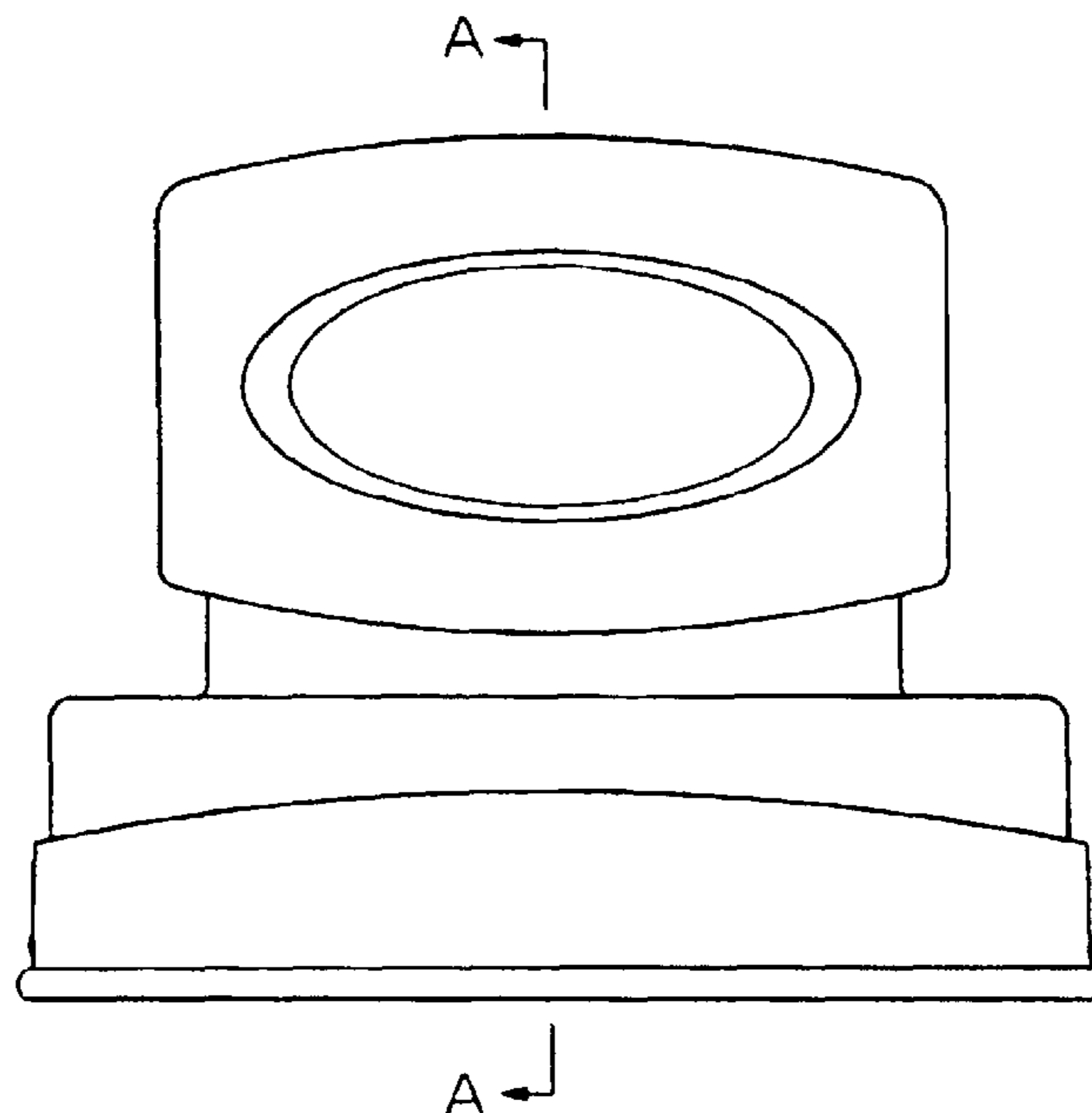


FIG.1

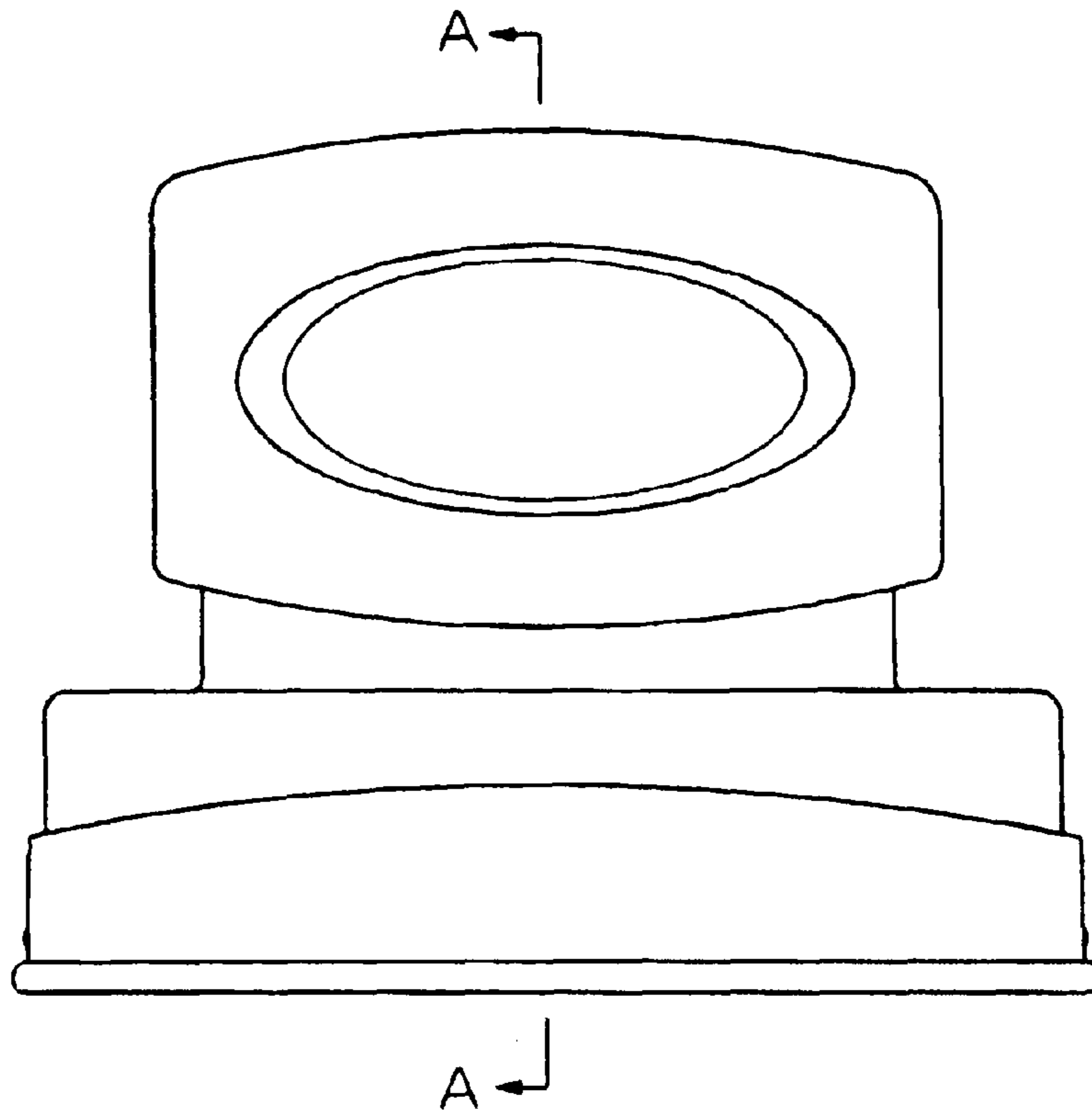


FIG.2

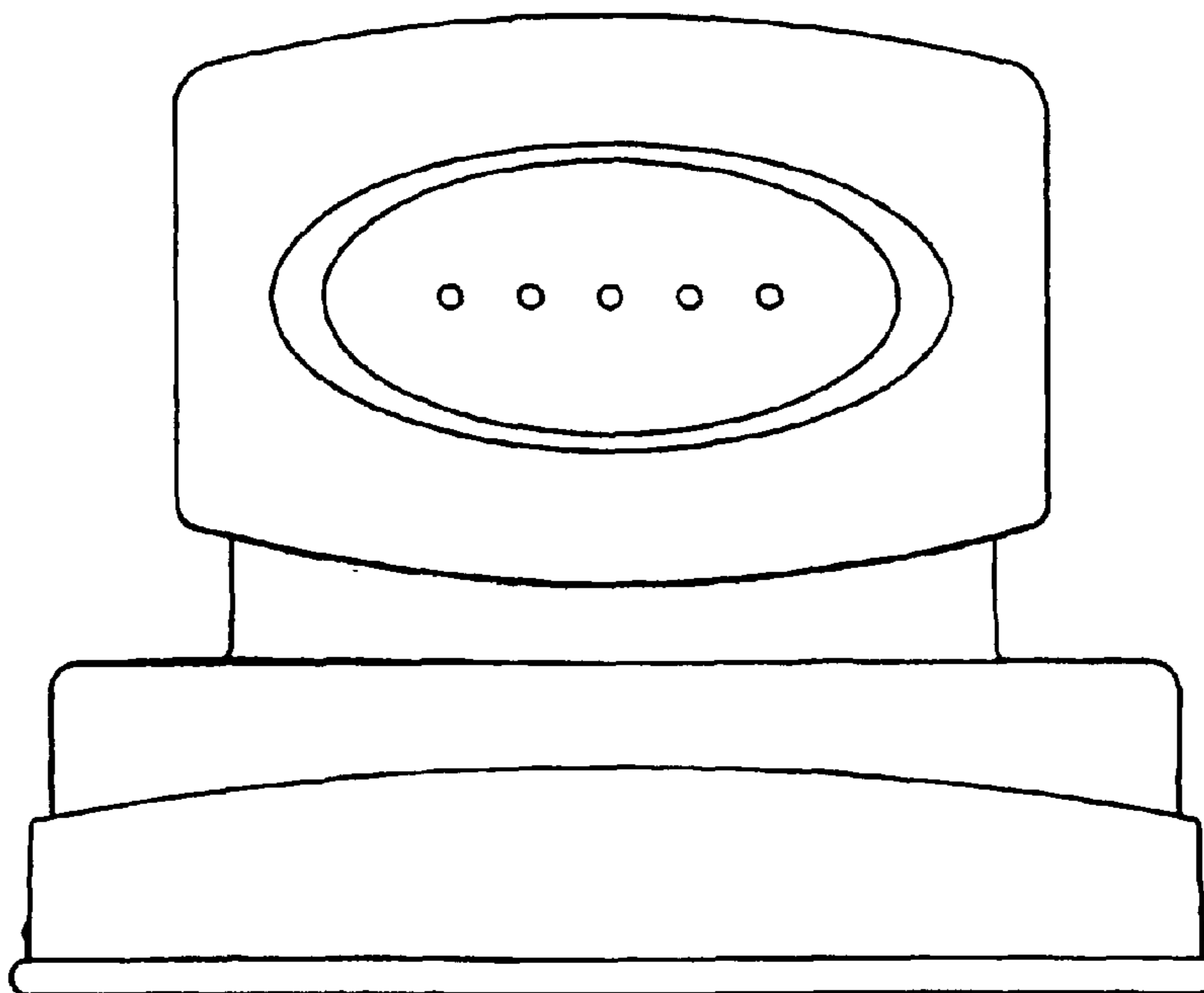
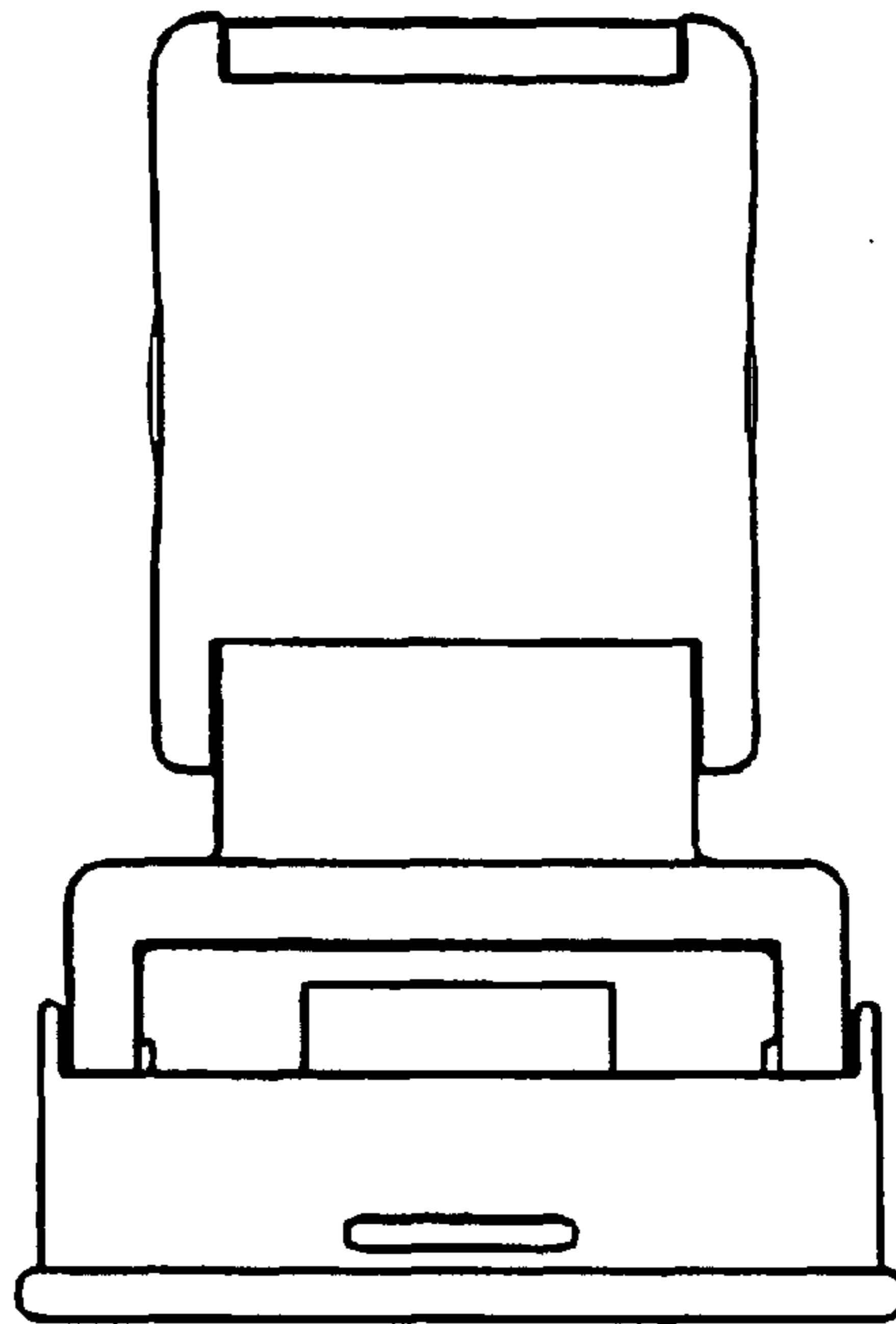


FIG.3

B ←



B ←

FIG.4

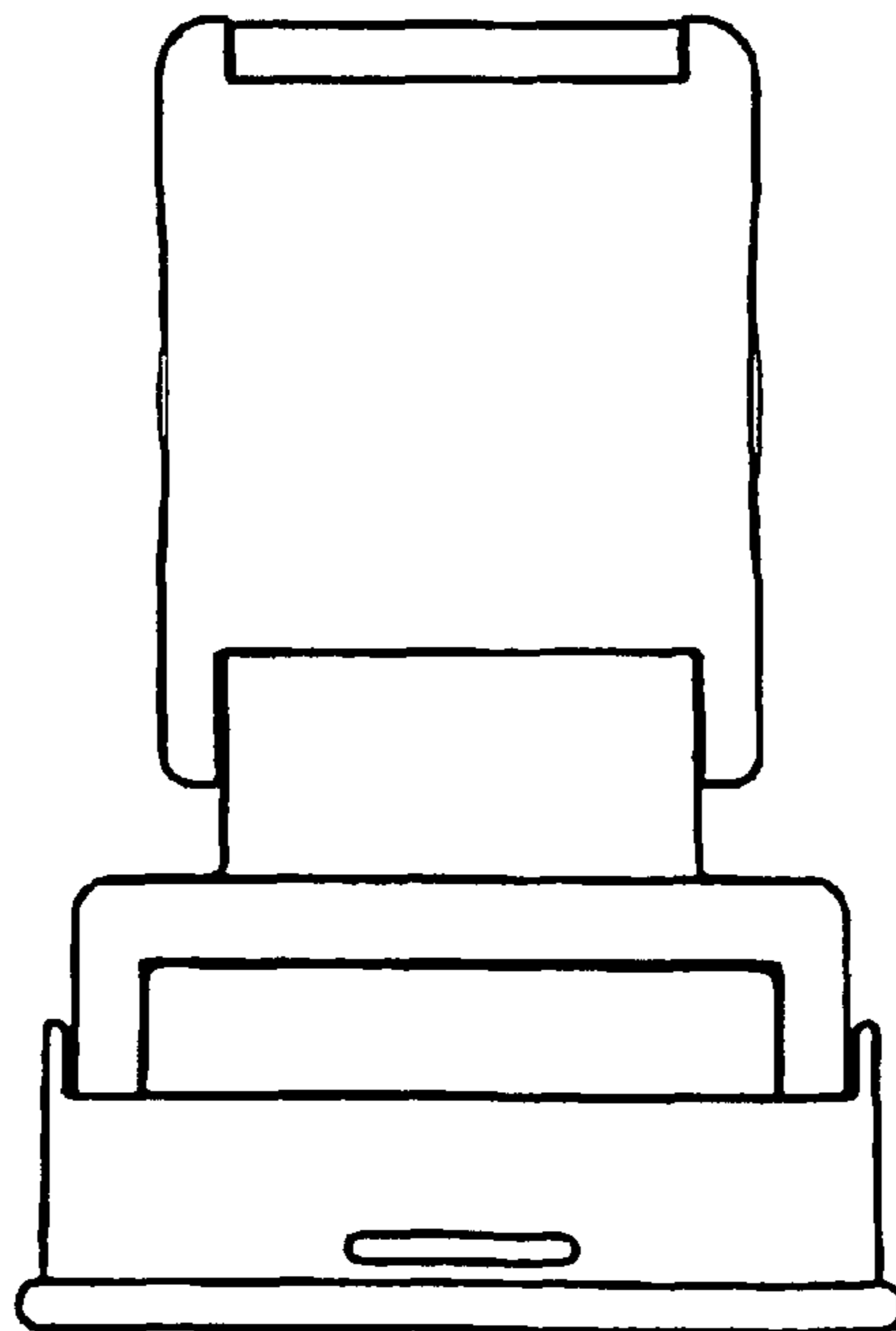


FIG.5

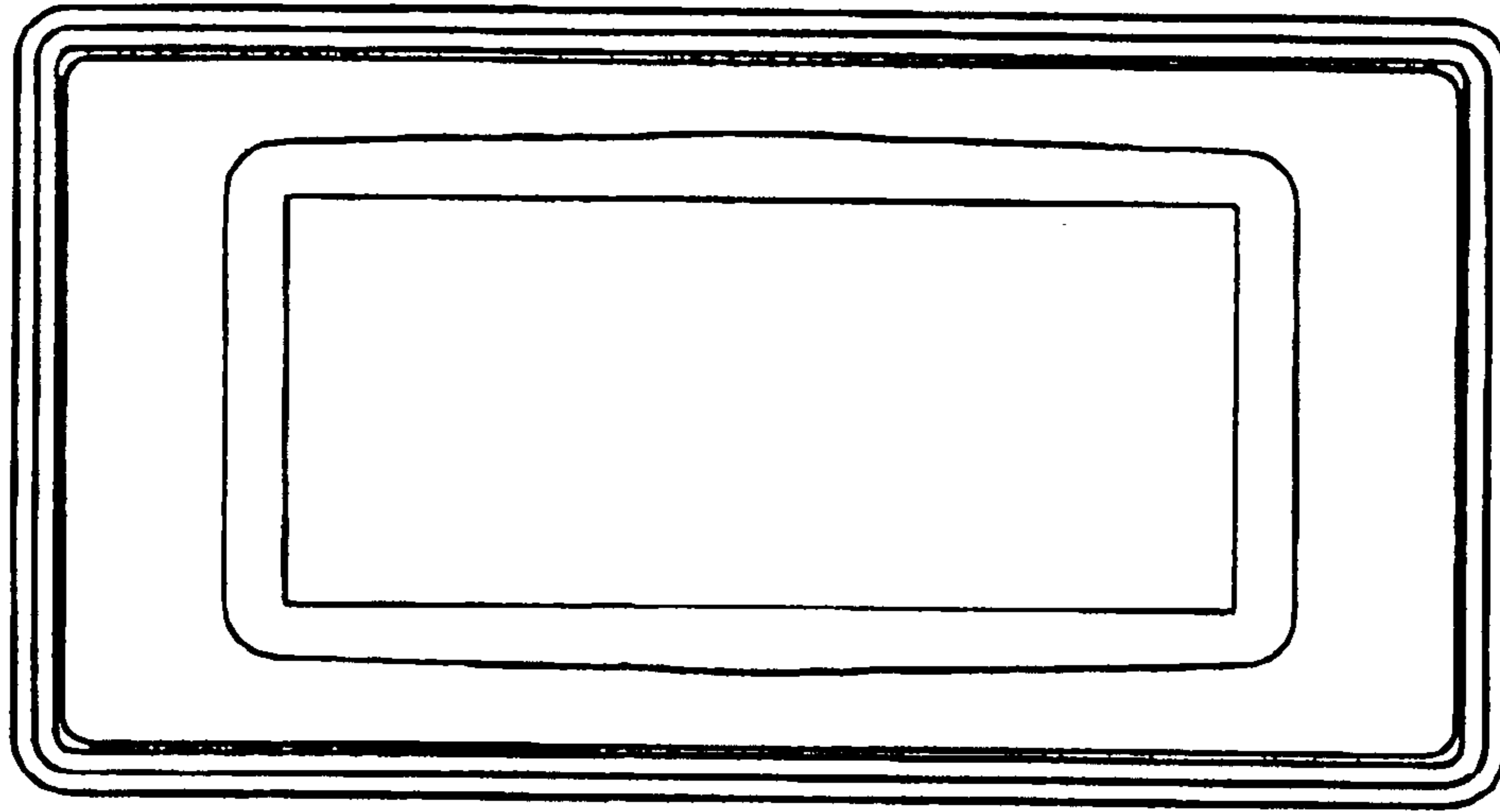


FIG.6

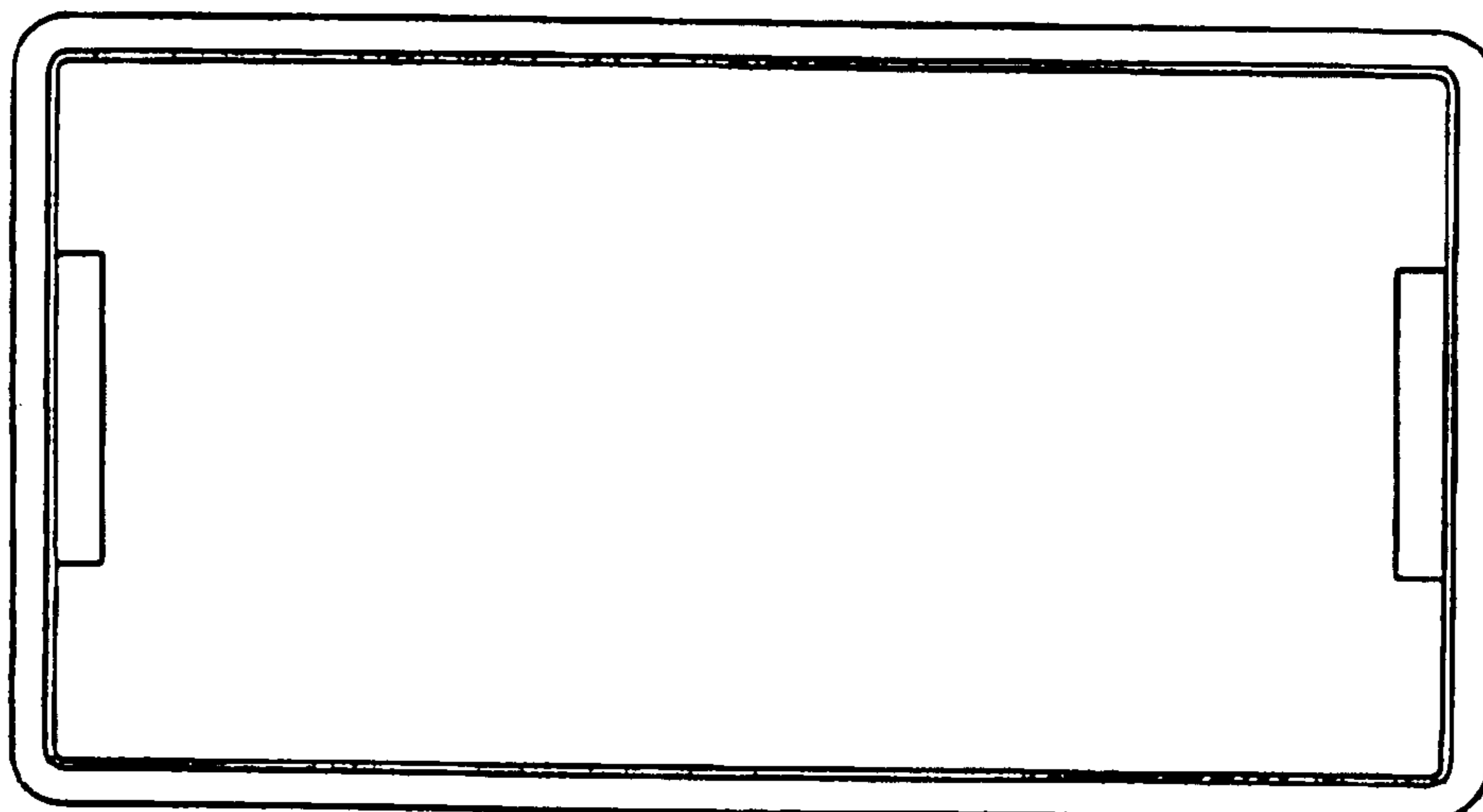


FIG.7

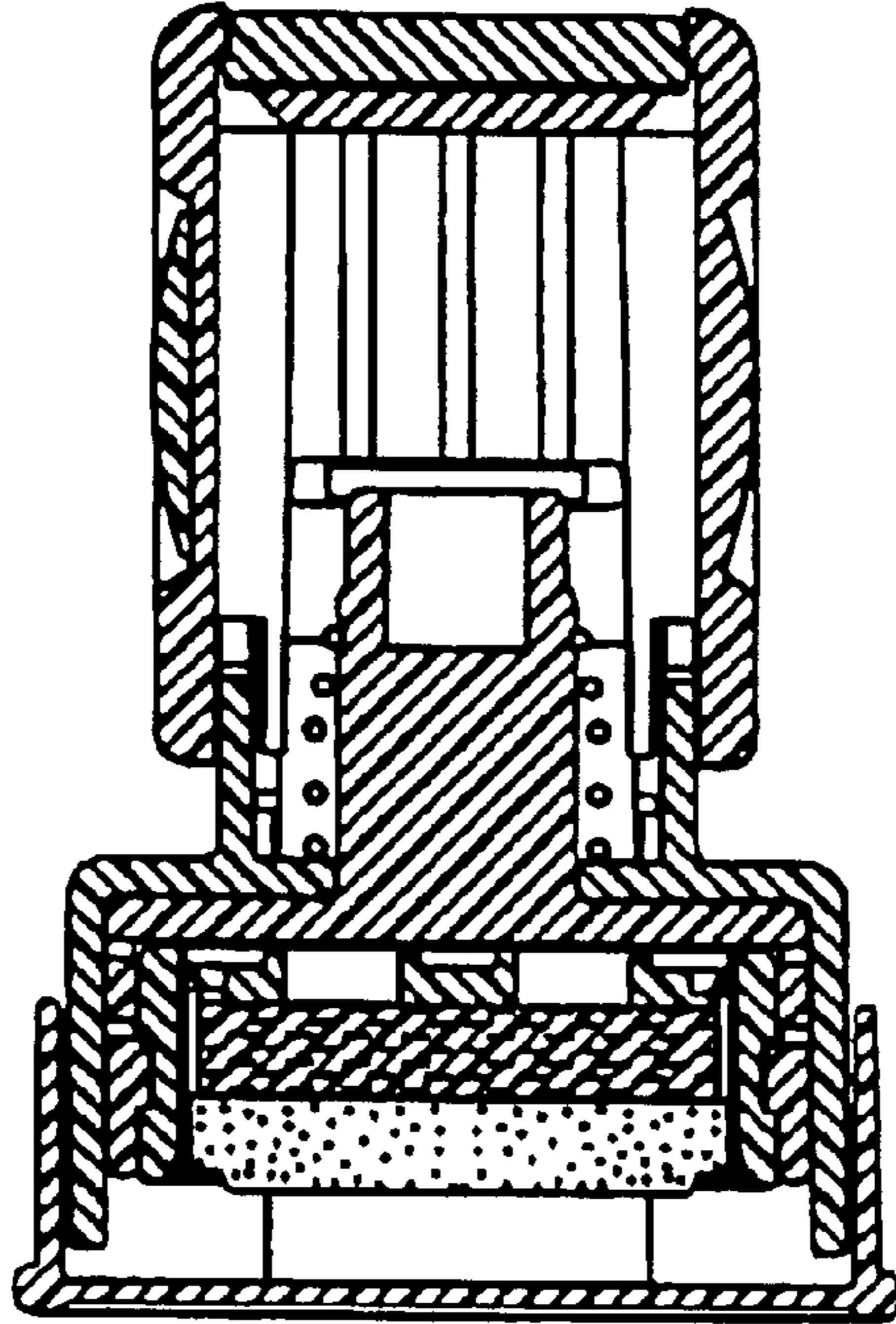


FIG.8

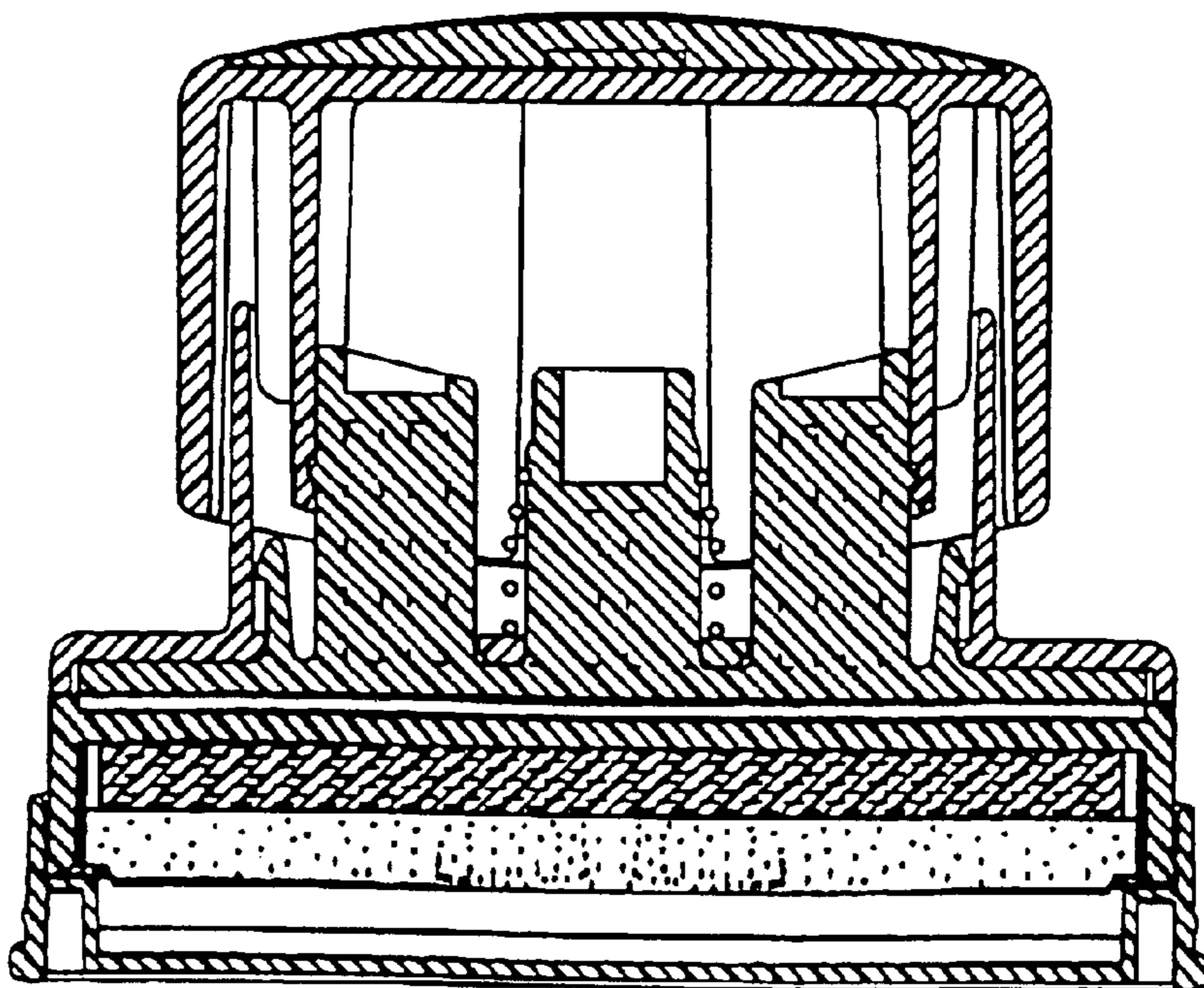


FIG.9

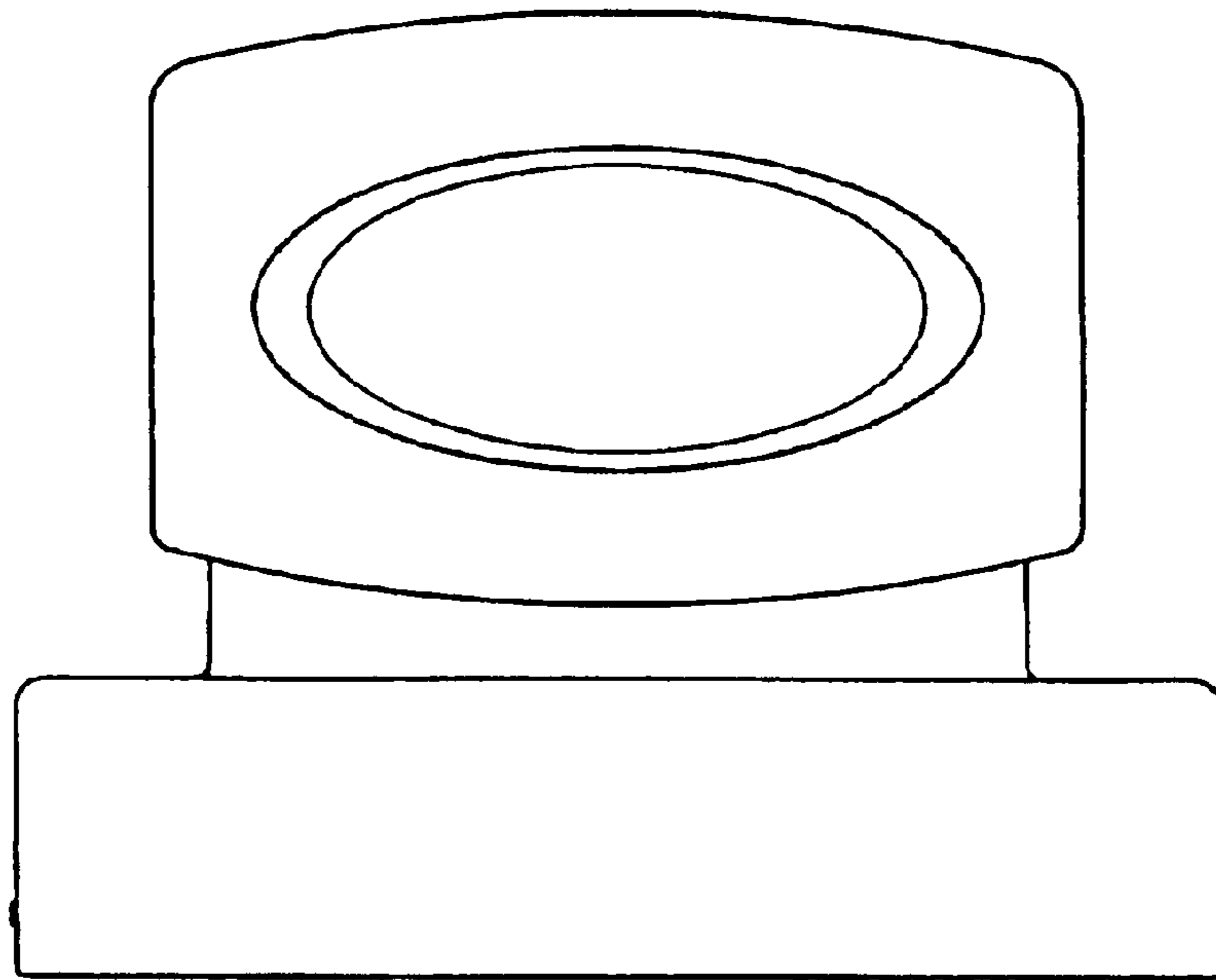


FIG.10

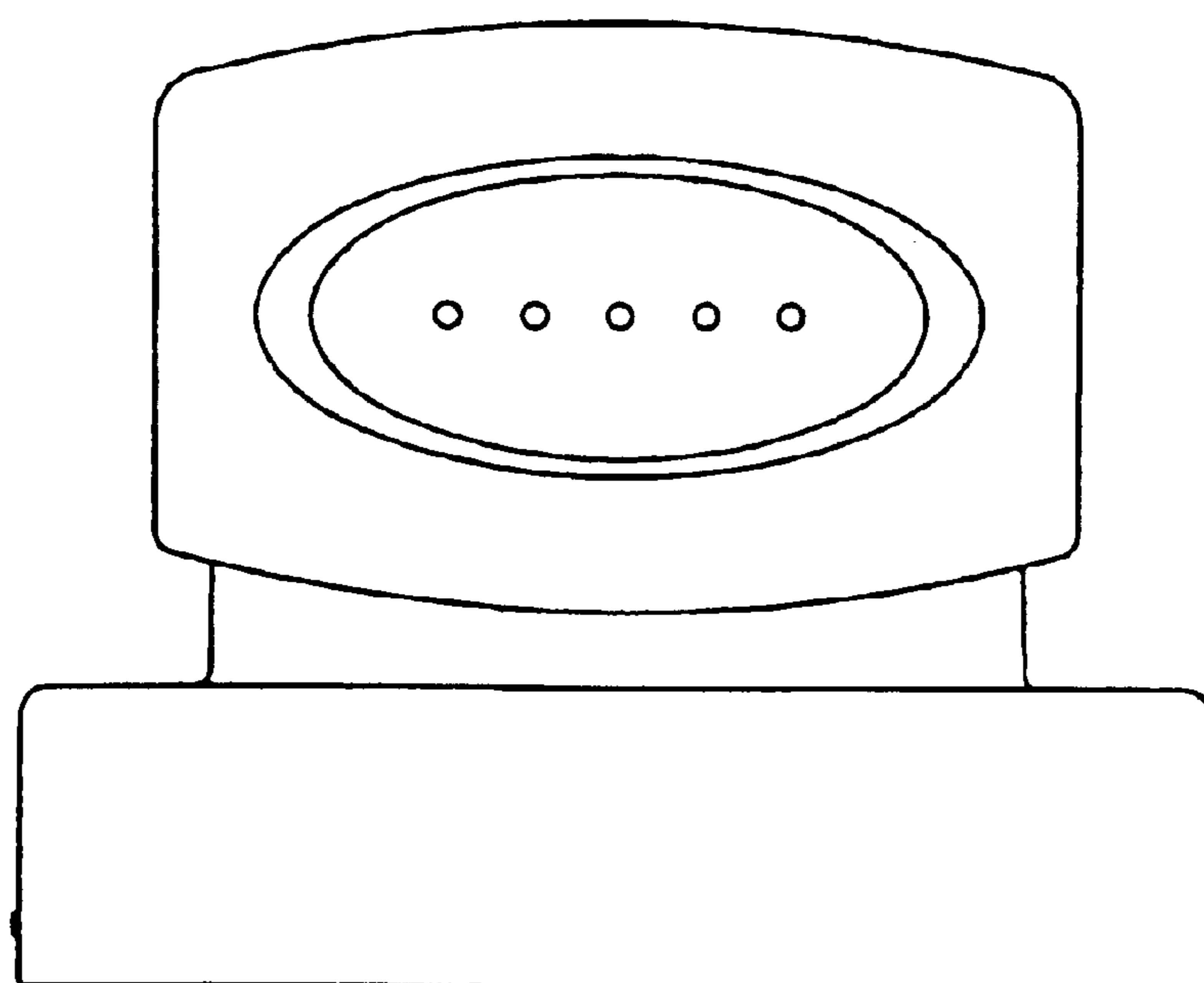


FIG. 11

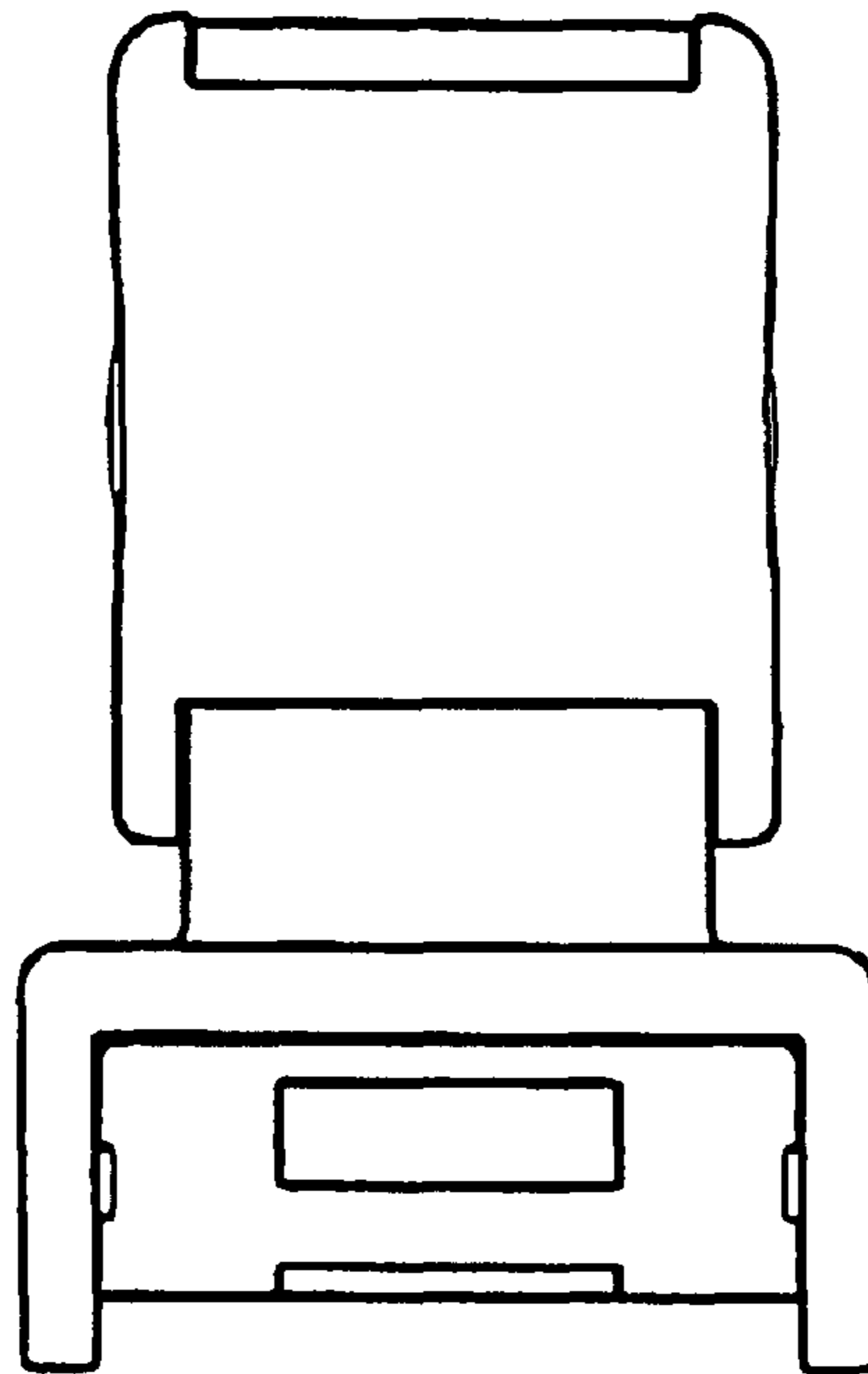


FIG. 12

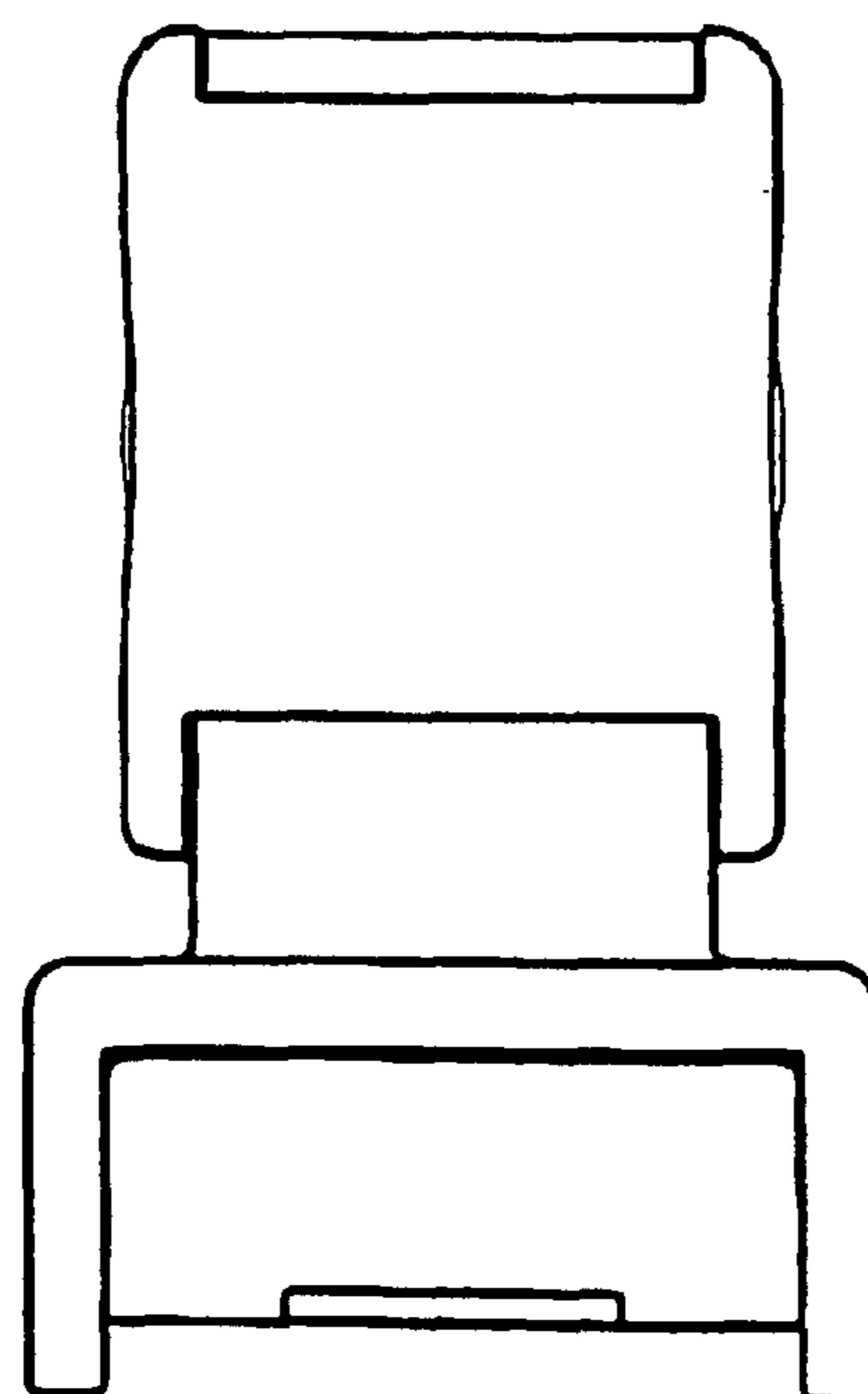


FIG.13

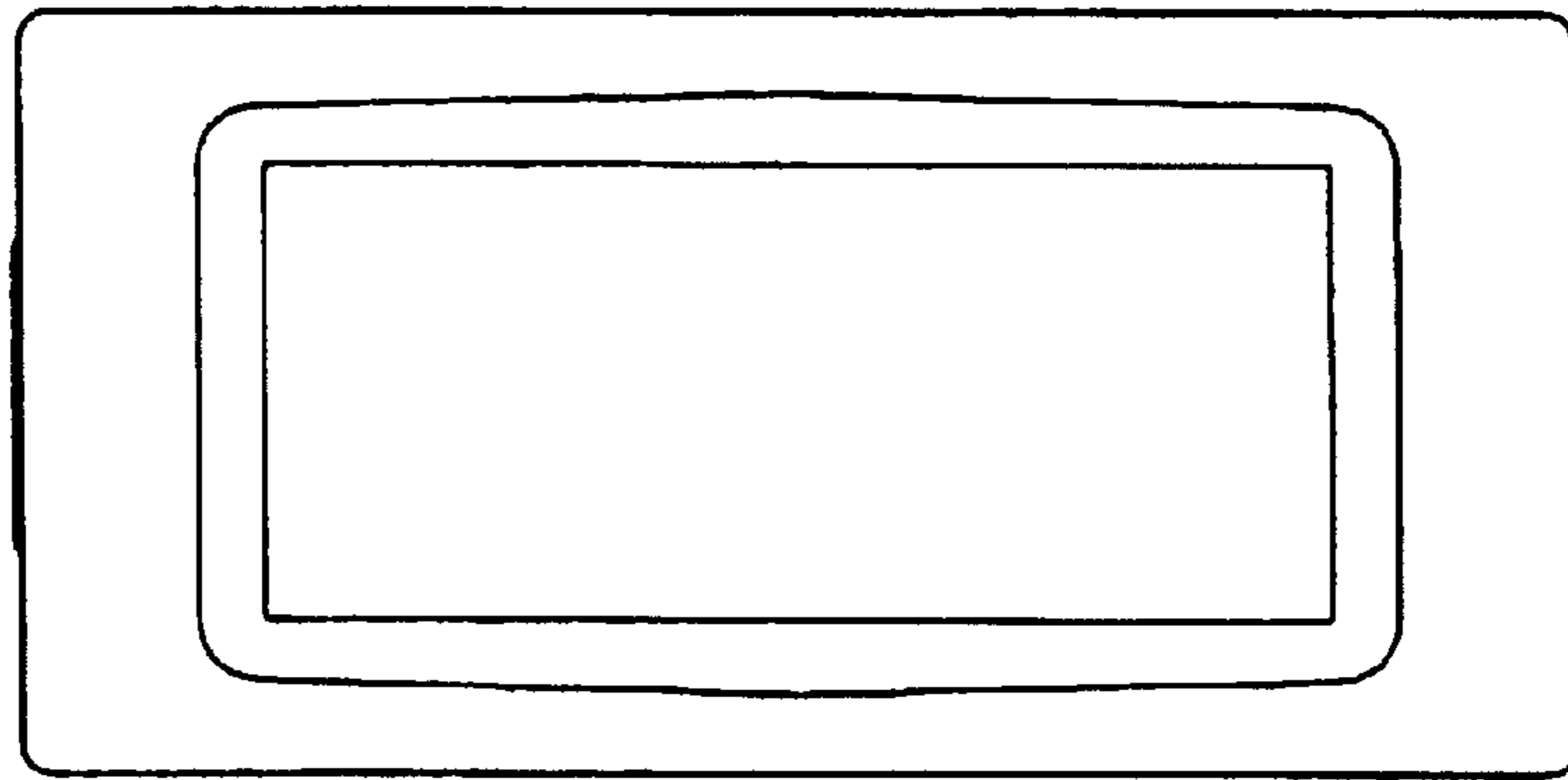


FIG.14

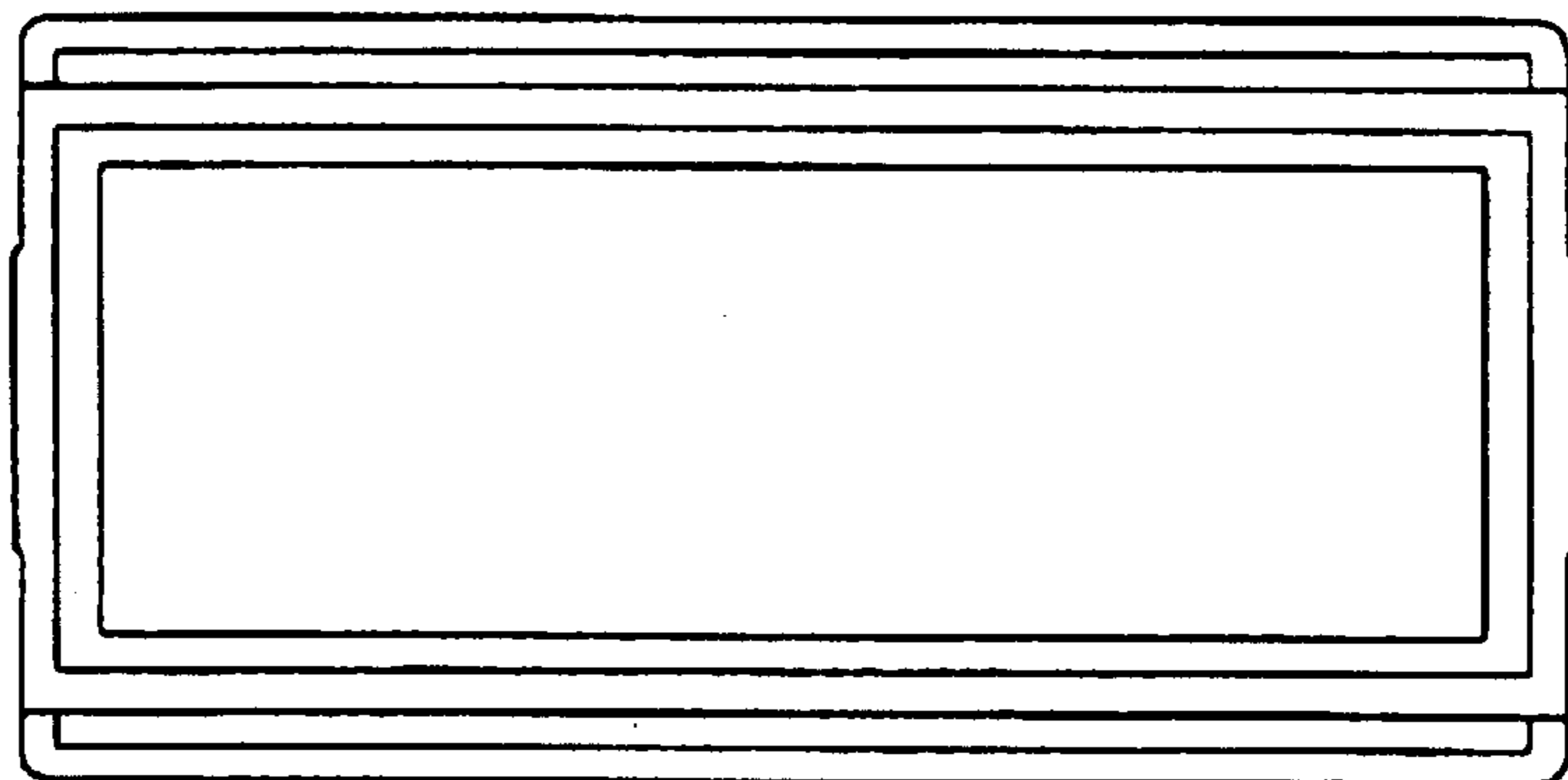


FIG.15

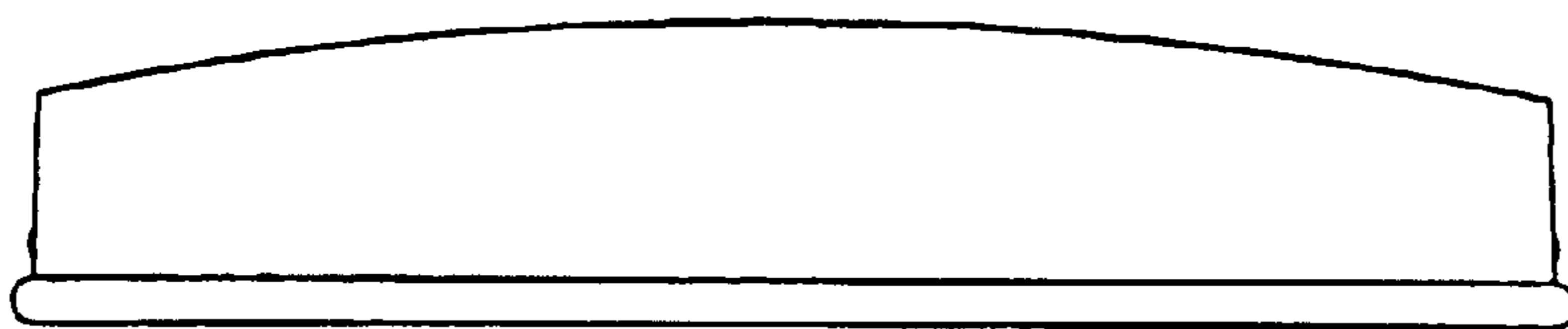


FIG.16

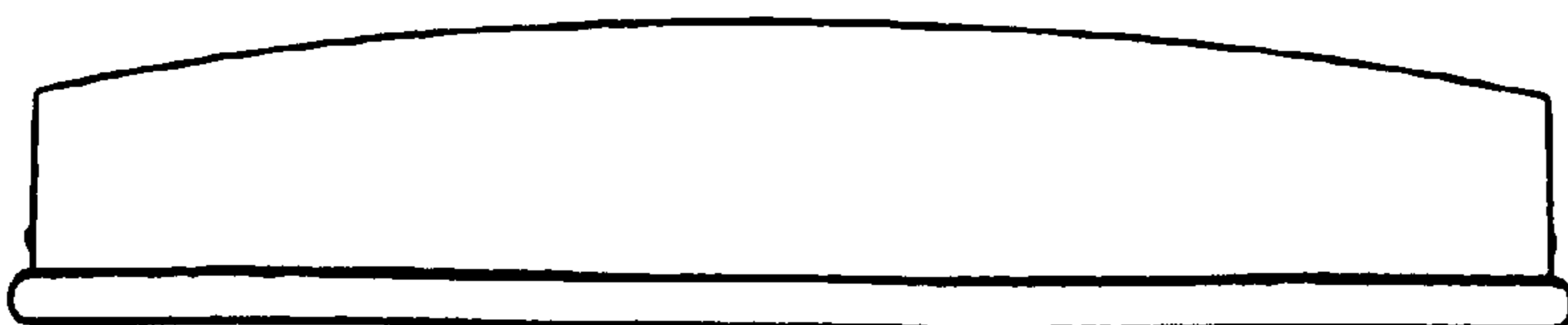




FIG.17

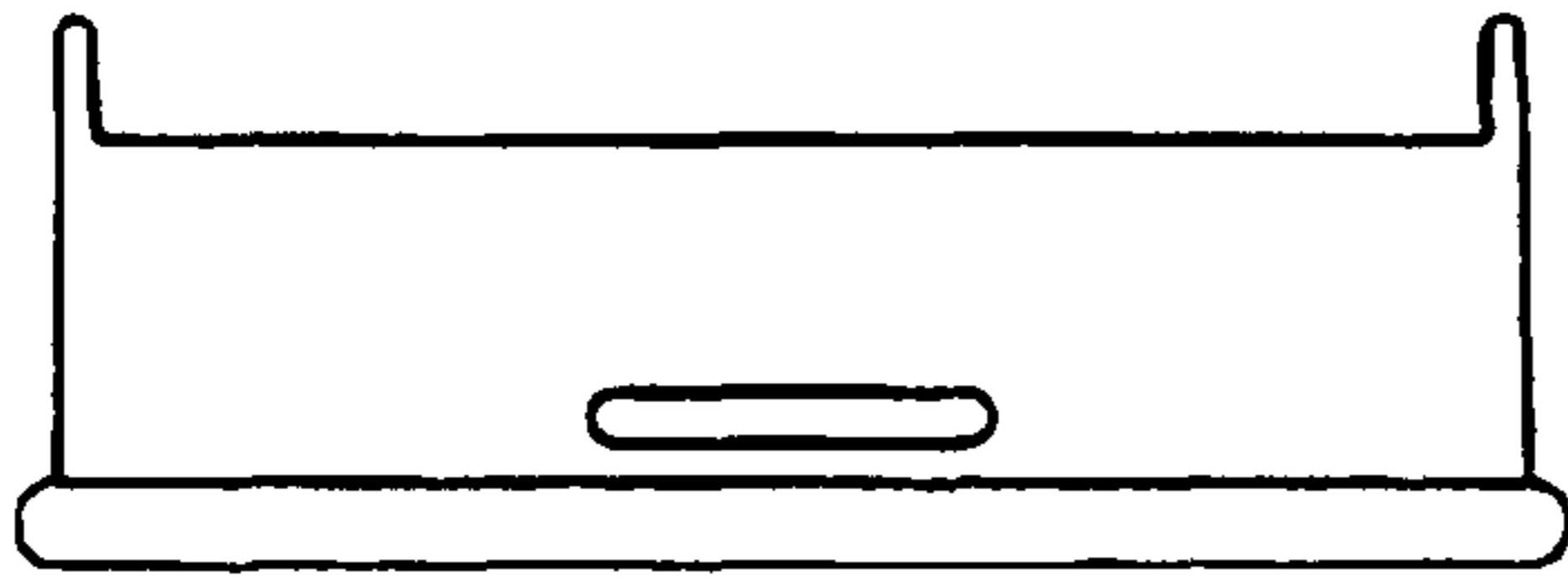


FIG.18

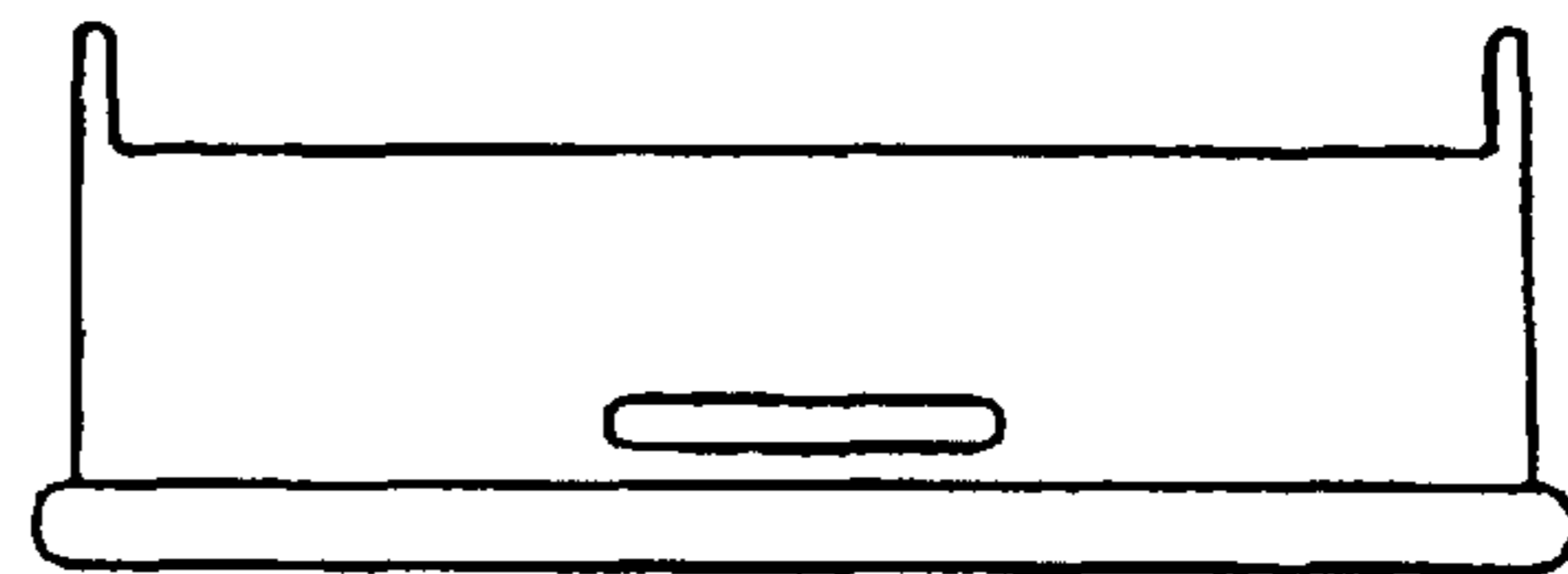


FIG.19

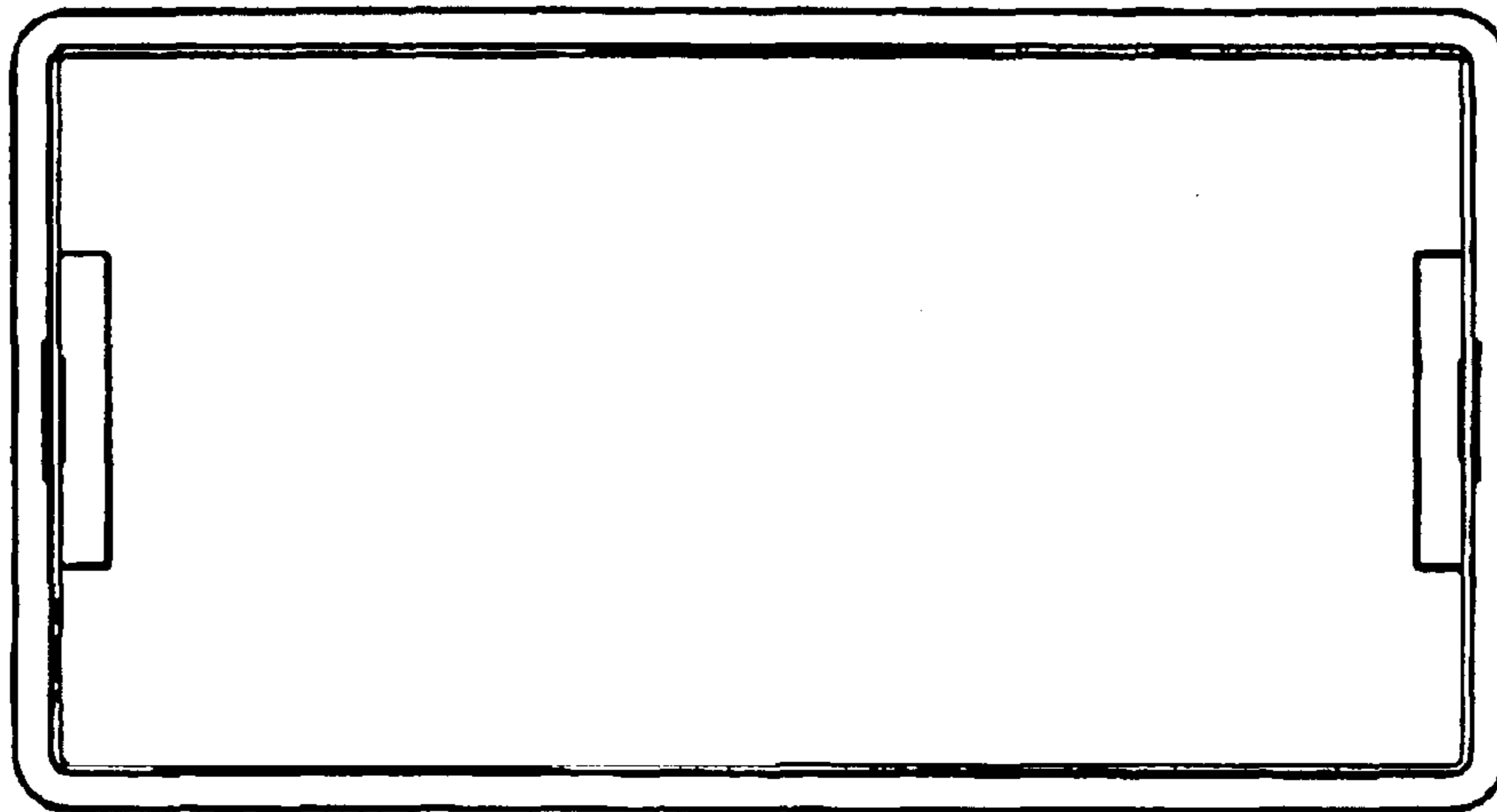


FIG.20

