

US00D507806S

(12) **United States Design Patent**
Kida et al.

(10) **Patent No.: US D507,806 S**
(45) **Date of Patent: ** Jul. 26, 2005**

(54) **STAMP**

(75) Inventors: **Masaki Kida**, Setagaya-ku (JP);
Motohide Imaizumi, Setagaya-ku (JP)

(73) Assignee: **Shachihata Inc.**, Aichi (JP)

(**) Term: **14 Years**

(21) Appl. No.: **29/209,583**

(22) Filed: **Jul. 19, 2004**

(30) **Foreign Application Priority Data**

Jan. 21, 2004 (JP) D2004-001345

(51) **LOC (8) Cl. 19-02**

(52) **U.S. Cl. D18/15**

(58) **Field of Search** D18/15-18, 50;
101/333-334, 327, 405, 406, 328, 352.07;
118/264, 268

(56) **References Cited**

U.S. PATENT DOCUMENTS

4,054,093	A	*	10/1977	Funahashi	101/327
D273,120	S	*	3/1984	Ito	D18/15
D284,014	S	*	5/1986	Iwasaki et al.	D18/15
D378,597	S	*	3/1997	Harden	D18/15
D378,828	S	*	4/1997	Harden	D18/15
D379,367	S	*	5/1997	Harden	D18/15
D379,368	S	*	5/1997	Harden	D18/15
D399,245	S	*	10/1998	Harden	D18/15
D417,232	S	*	11/1999	Harden	D18/15
D422,017	S	*	3/2000	Harden	D18/15
6,367,382	B1	*	4/2002	Imamaki et al.	101/405

FOREIGN PATENT DOCUMENTS

GB 1055648 * 6/1989

* cited by examiner

Primary Examiner—Charles A. Rademaker
(74) *Attorney, Agent, or Firm*—Jacobson Holman PLLC

(57) **CLAIM**

The ornamental design for a stamp, as shown and described.

DESCRIPTION

FIG. 1 is a front elevation of a stamp showing our new design;

FIG. 2 is a rear elevation thereof;

FIG. 3 is a right side elevation thereof;

FIG. 4 is a left side elevation thereof;

FIG. 5 is a top plan elevation thereof;

FIG. 6 is a bottom plan view thereof;

FIG. 7 is a cross-sectional view taken along line A—A in FIG. 1;

FIG. 8 is a cross-sectional view taken along line B—B in FIG. 3;

FIG. 9 is a front elevation of the stamp body with the cap omitted for ease of illustration;

FIG. 10 is a rear elevation thereof;

FIG. 11 is a right side elevation thereof;

FIG. 12 is a left side elevation thereof;

FIG. 13 is a top plan view thereof;

FIG. 14 is a bottom plan view thereof;

FIG. 15 is a front elevation of the cap member with the stamp body omitted for ease of illustration;

FIG. 16 is a rear elevation thereof;

FIG. 17 is a right side elevation thereof;

FIG. 18 is a left side elevation thereof;

FIG. 19 is a top plan view thereof; and,

FIG. 20 is a bottom plan view thereof.

1 Claim, 5 Drawing Sheets

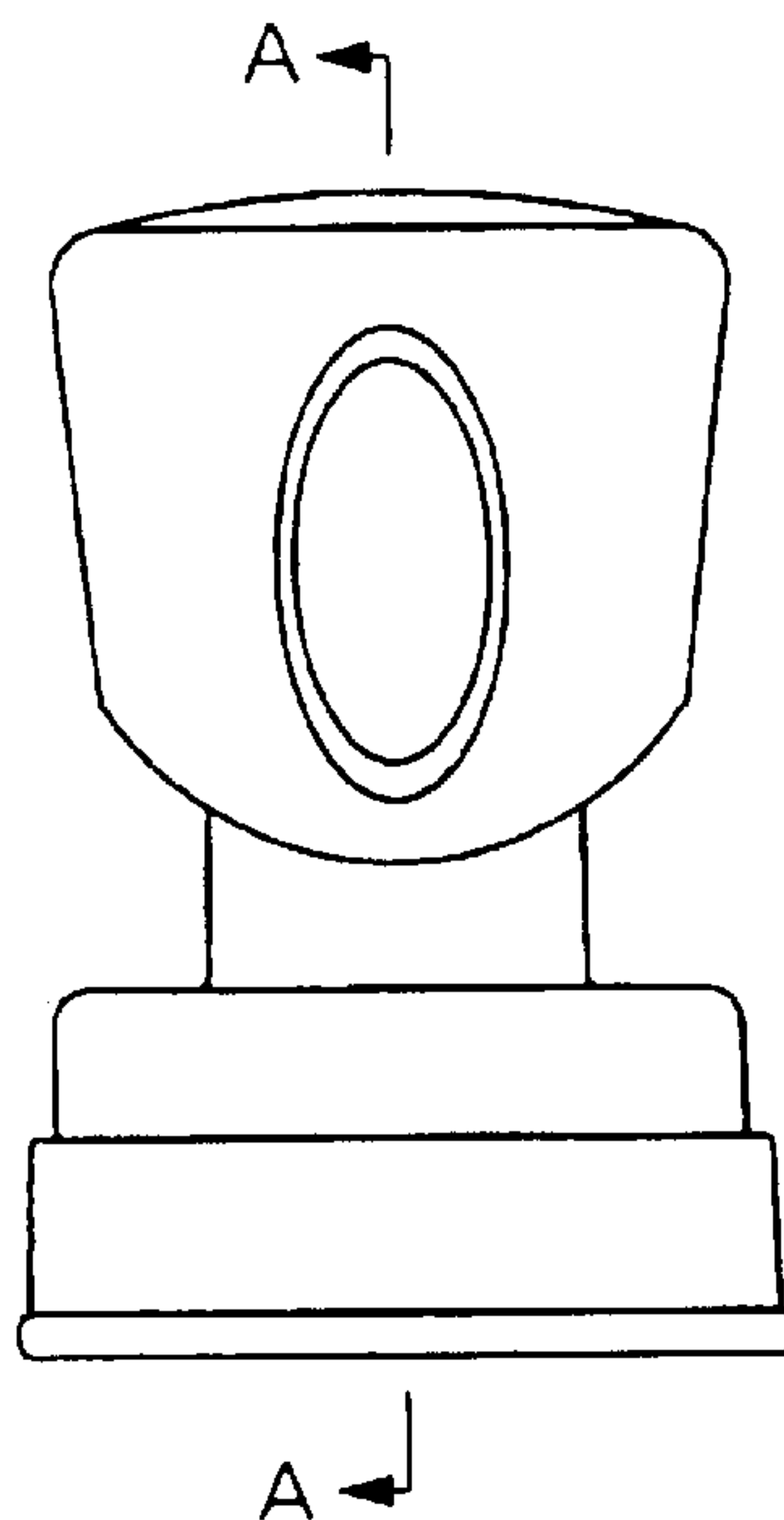


FIG.1

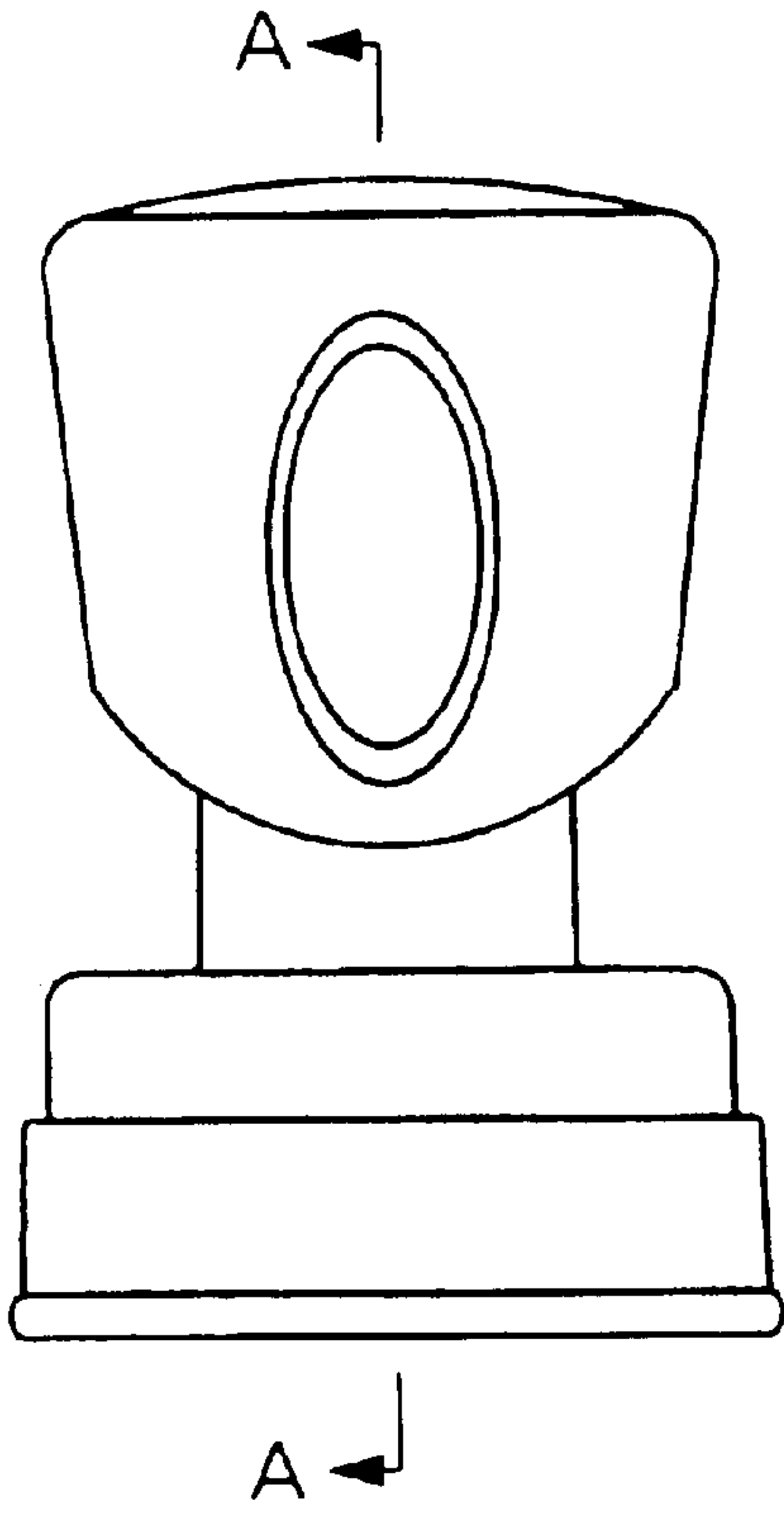


FIG.3

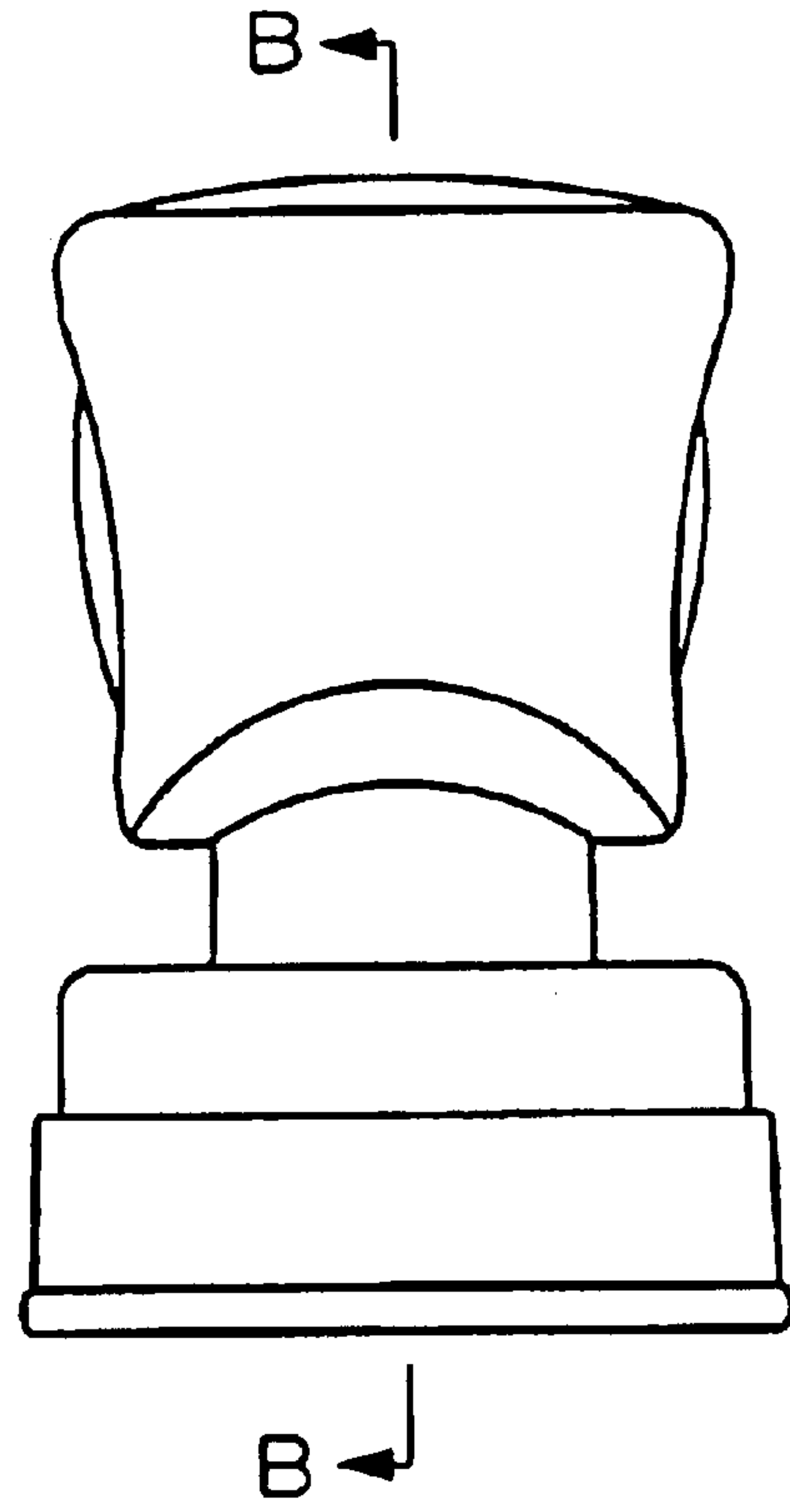


FIG.2

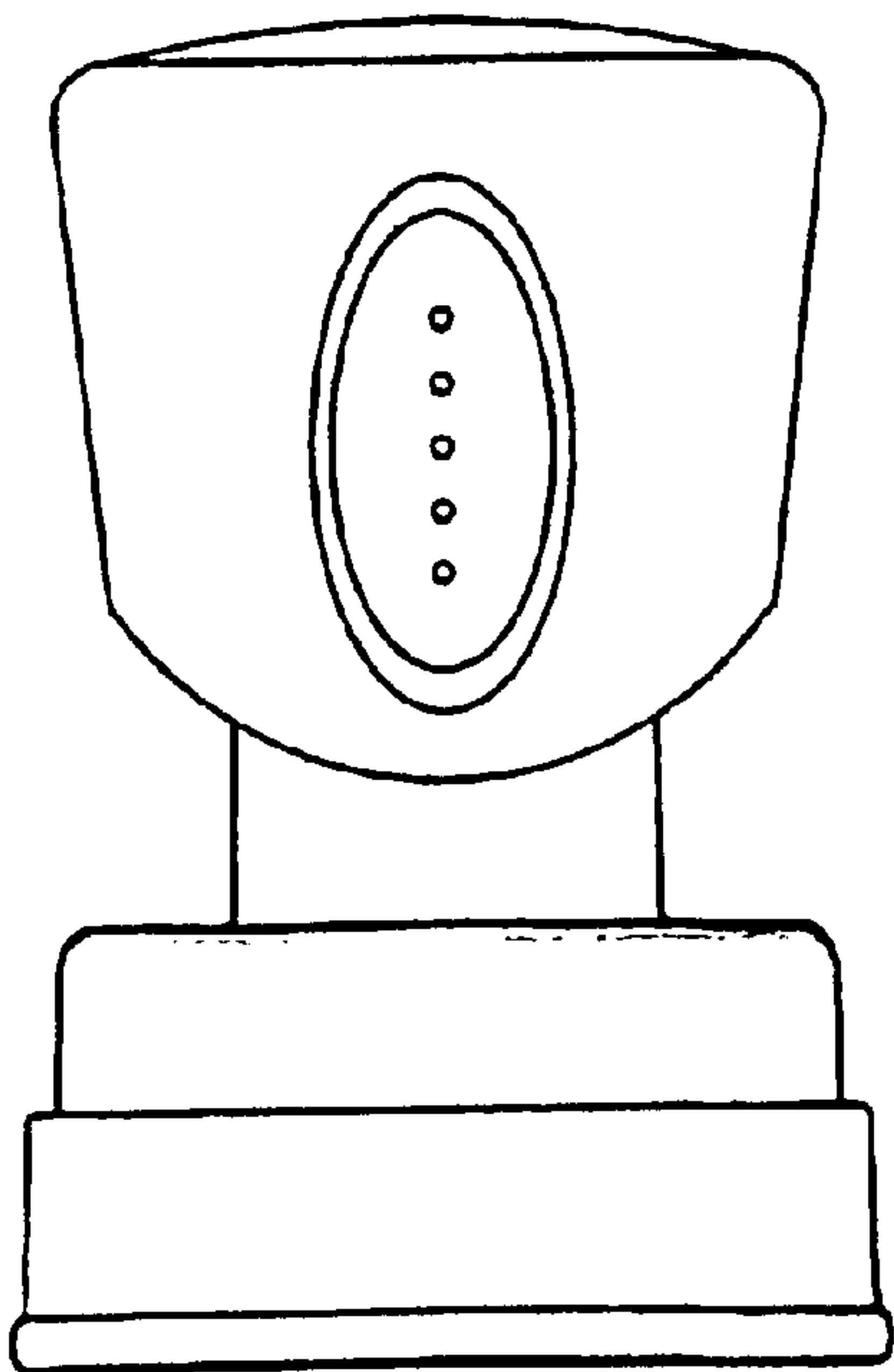


FIG.4

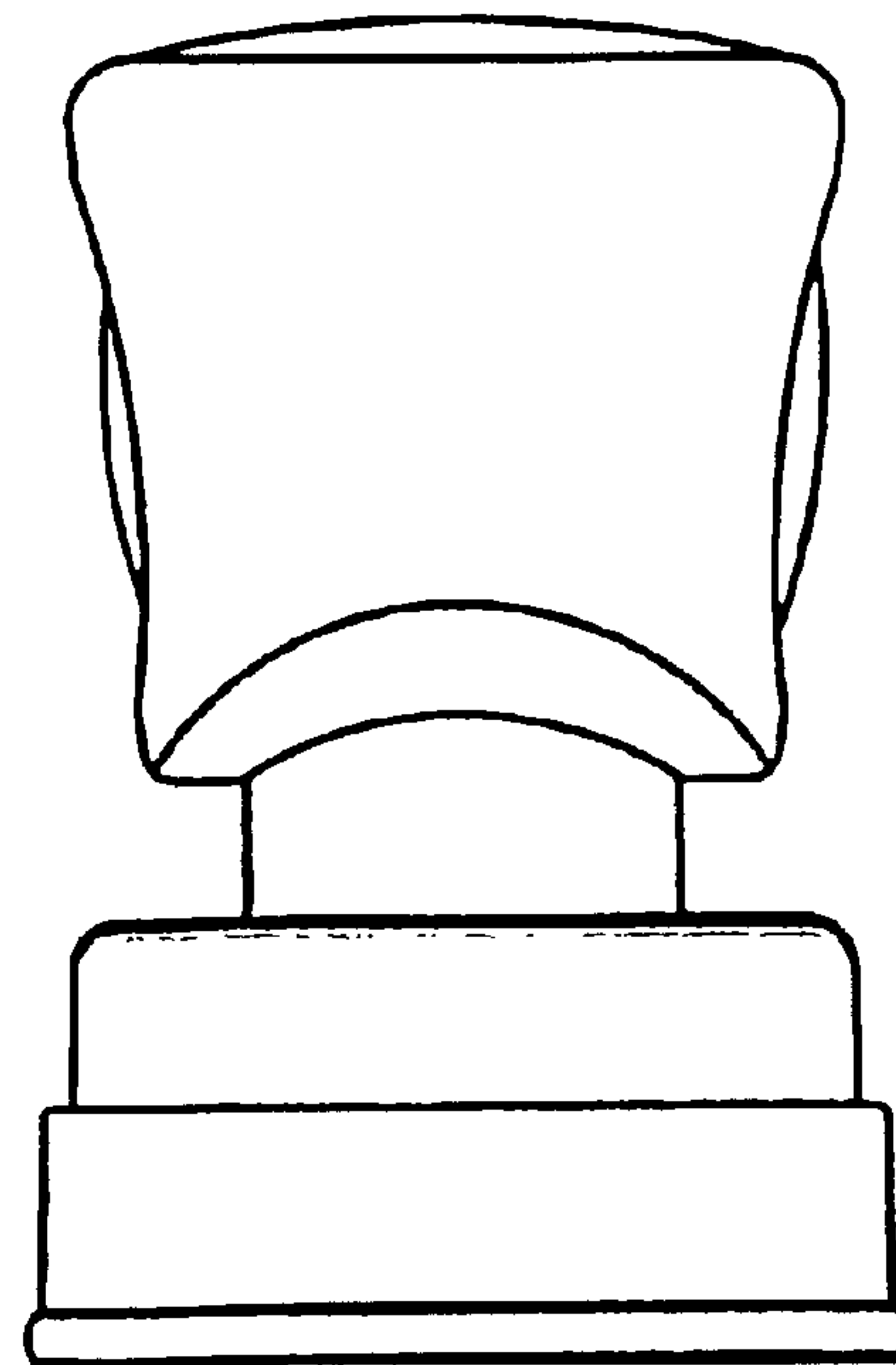


FIG.5

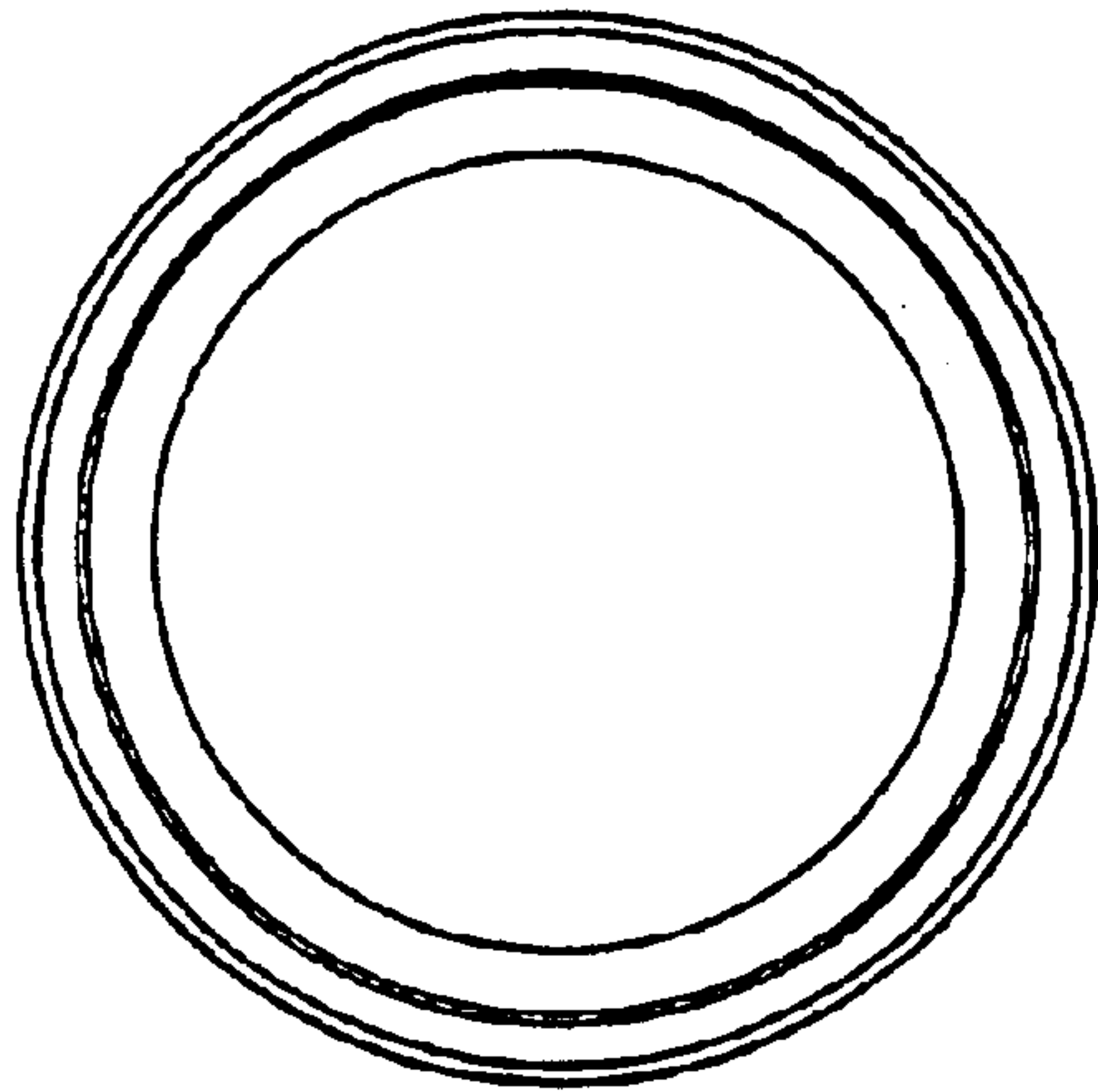


FIG.6

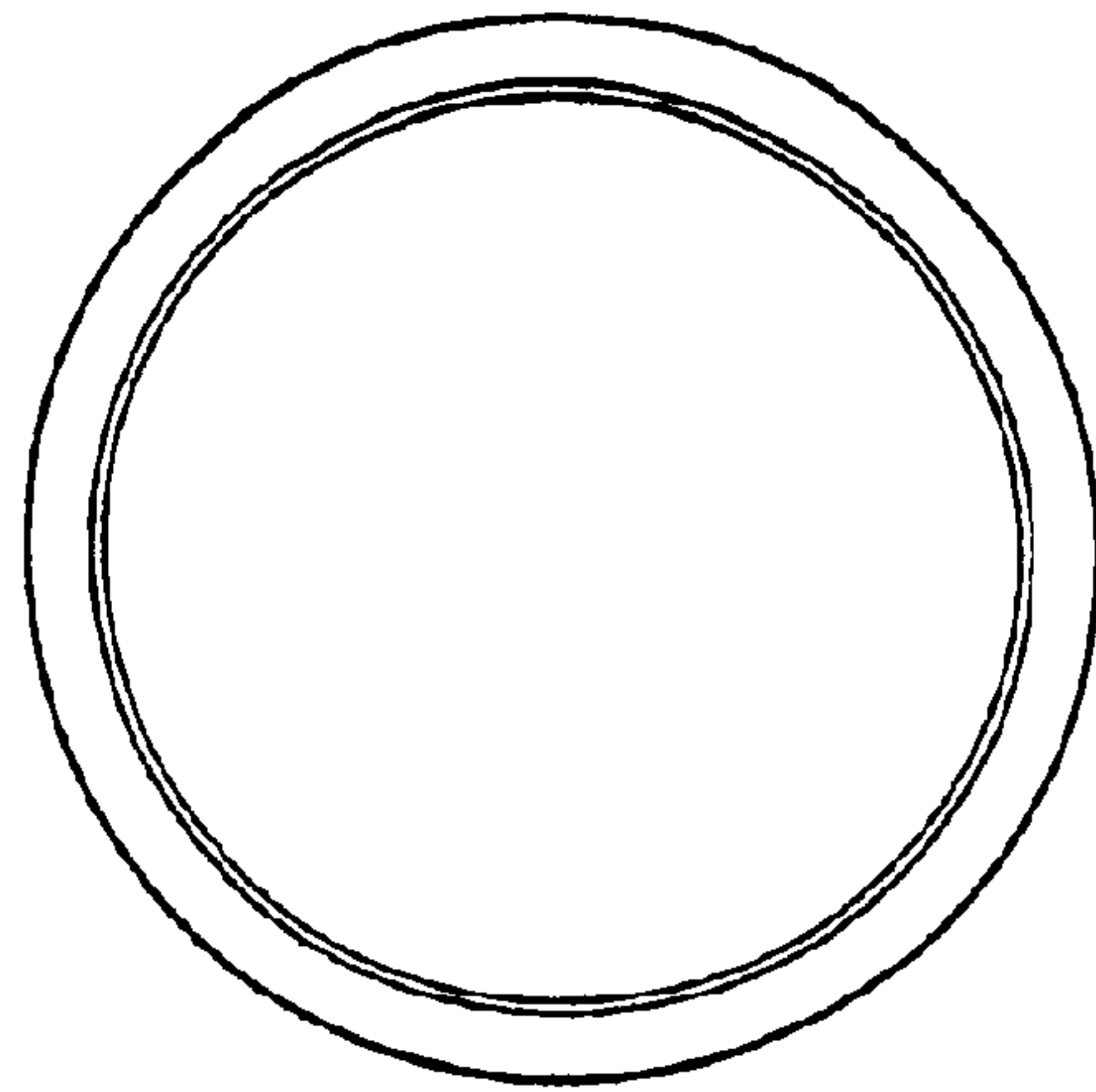


FIG.7

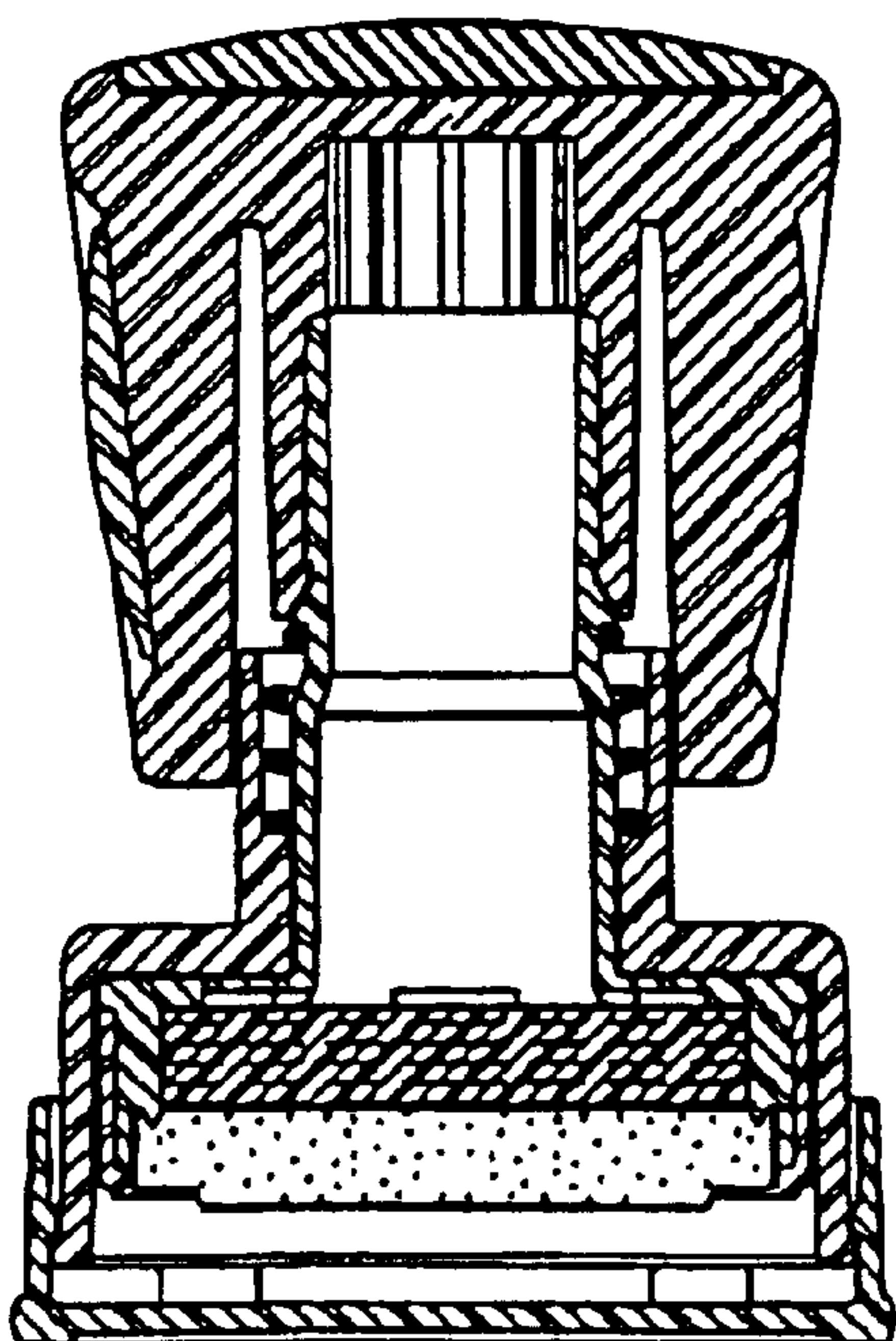


FIG.8

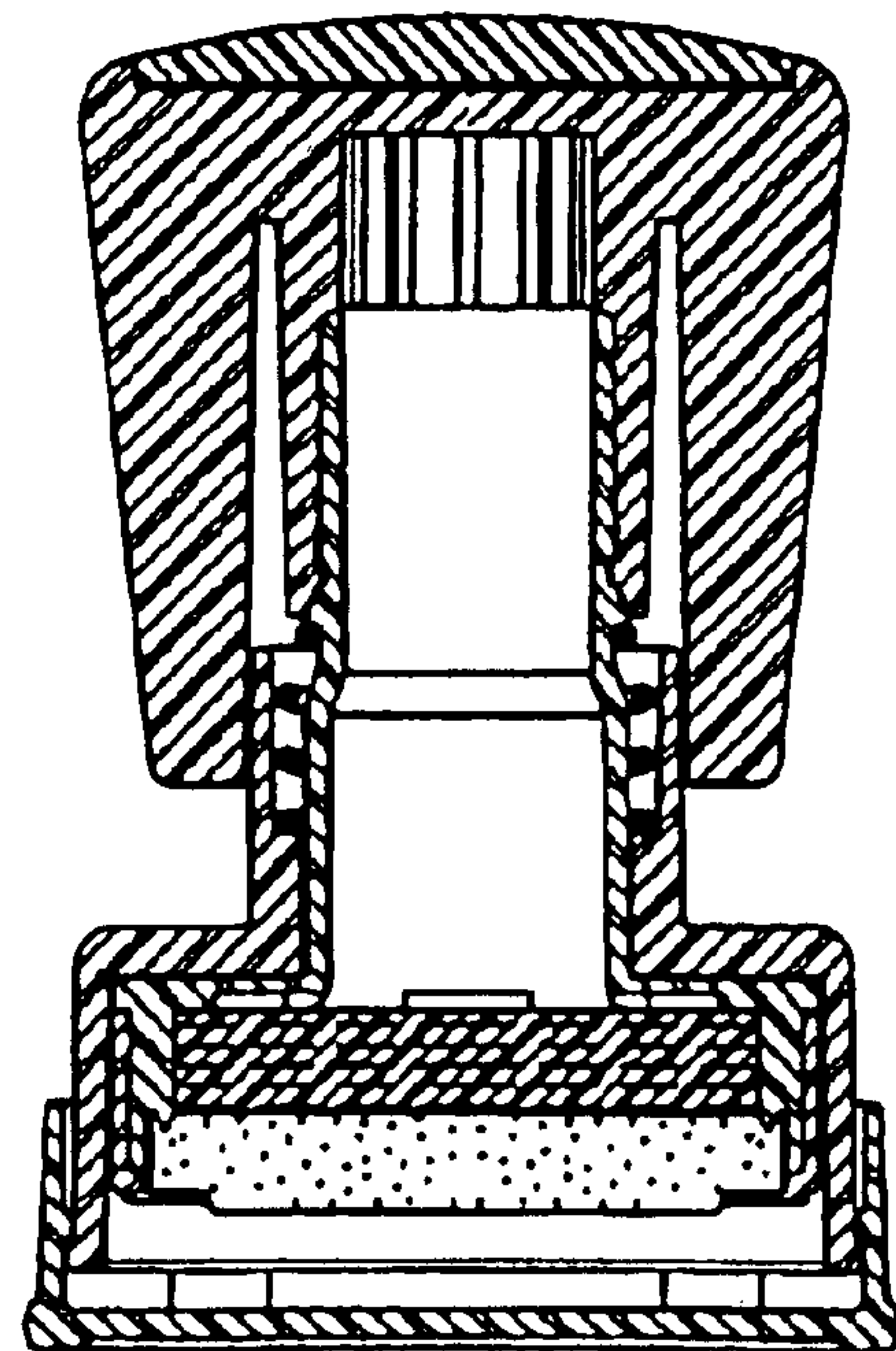


FIG.9

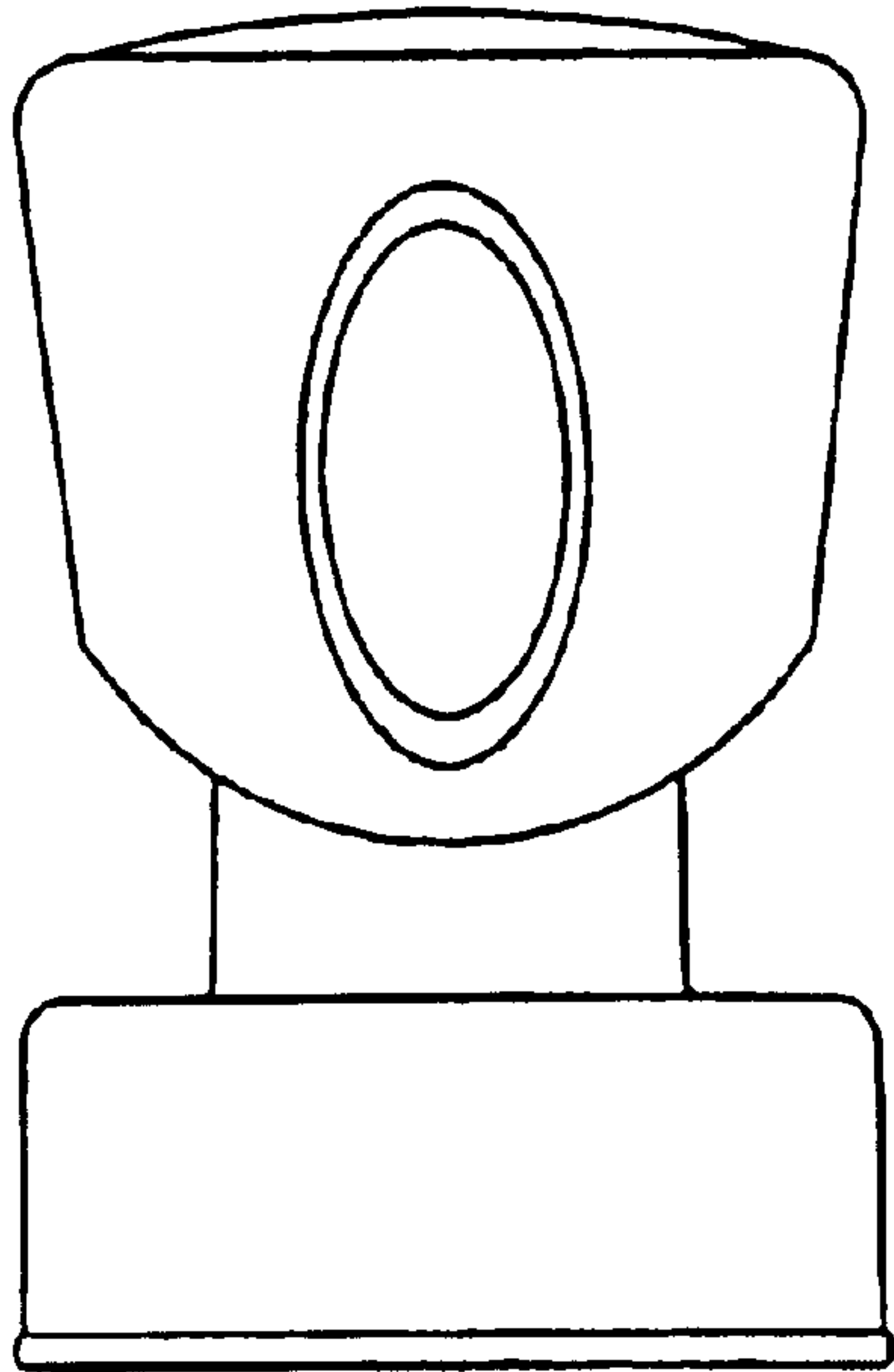


FIG.11

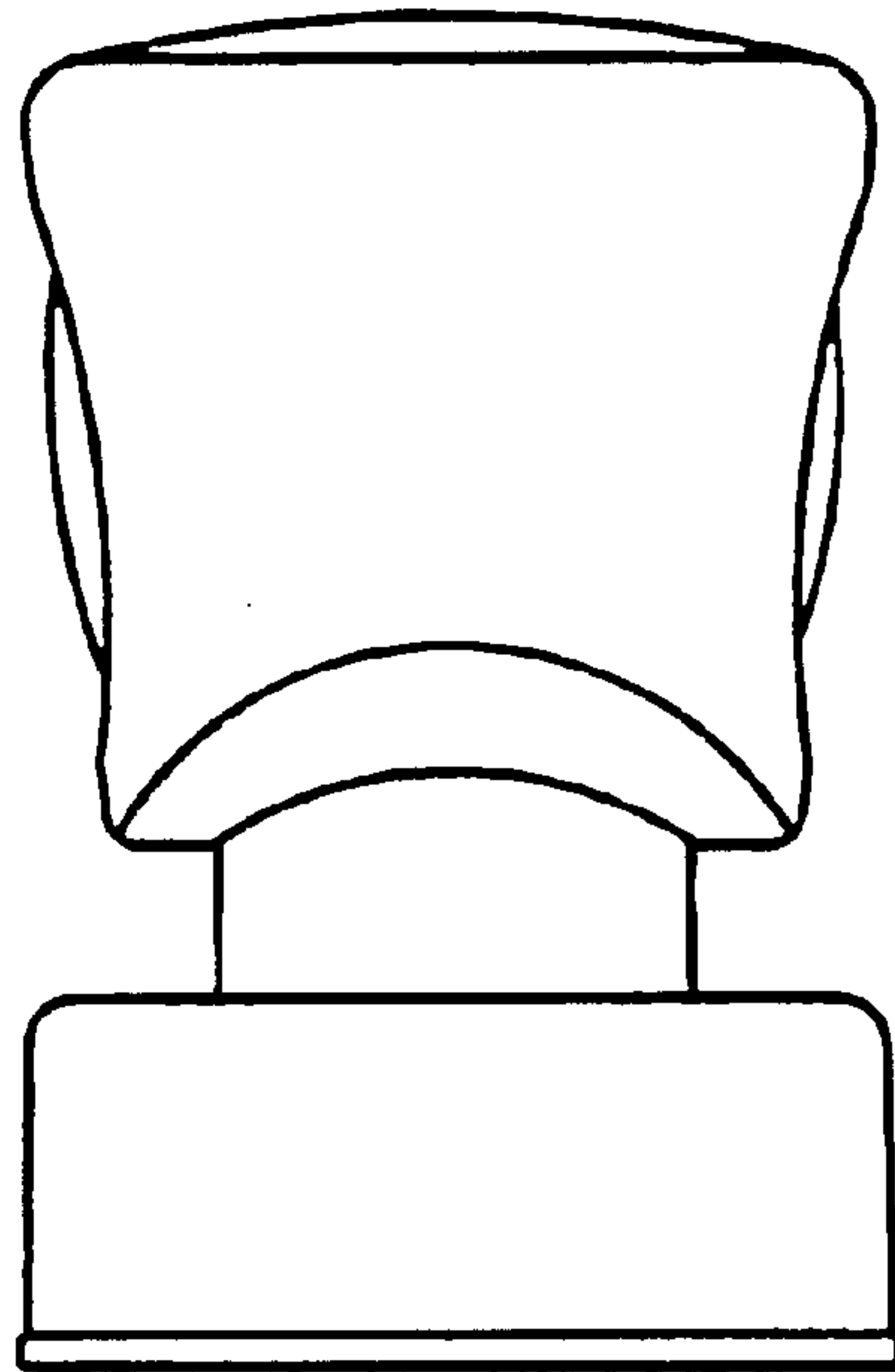


FIG.10

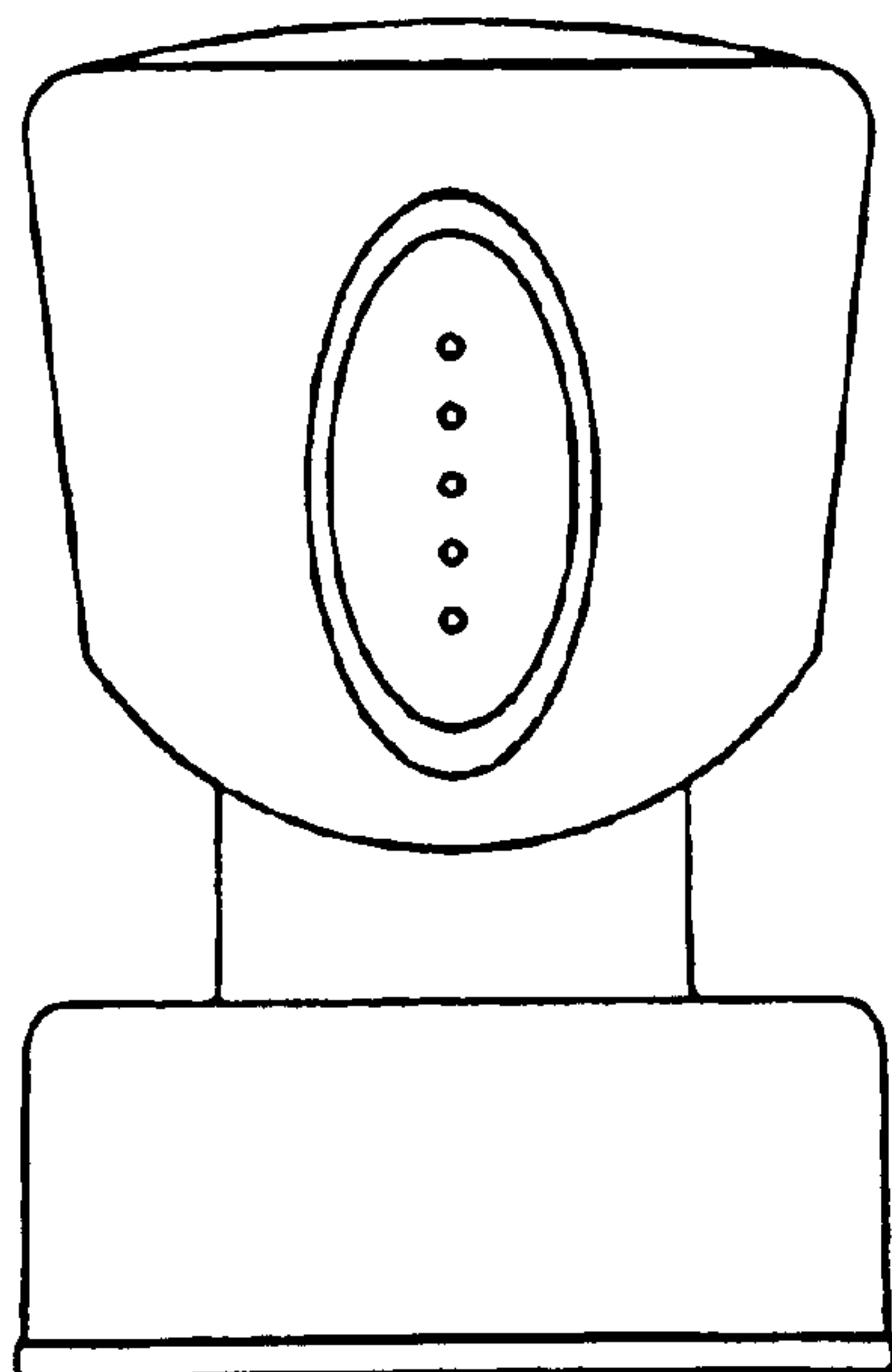


FIG.12

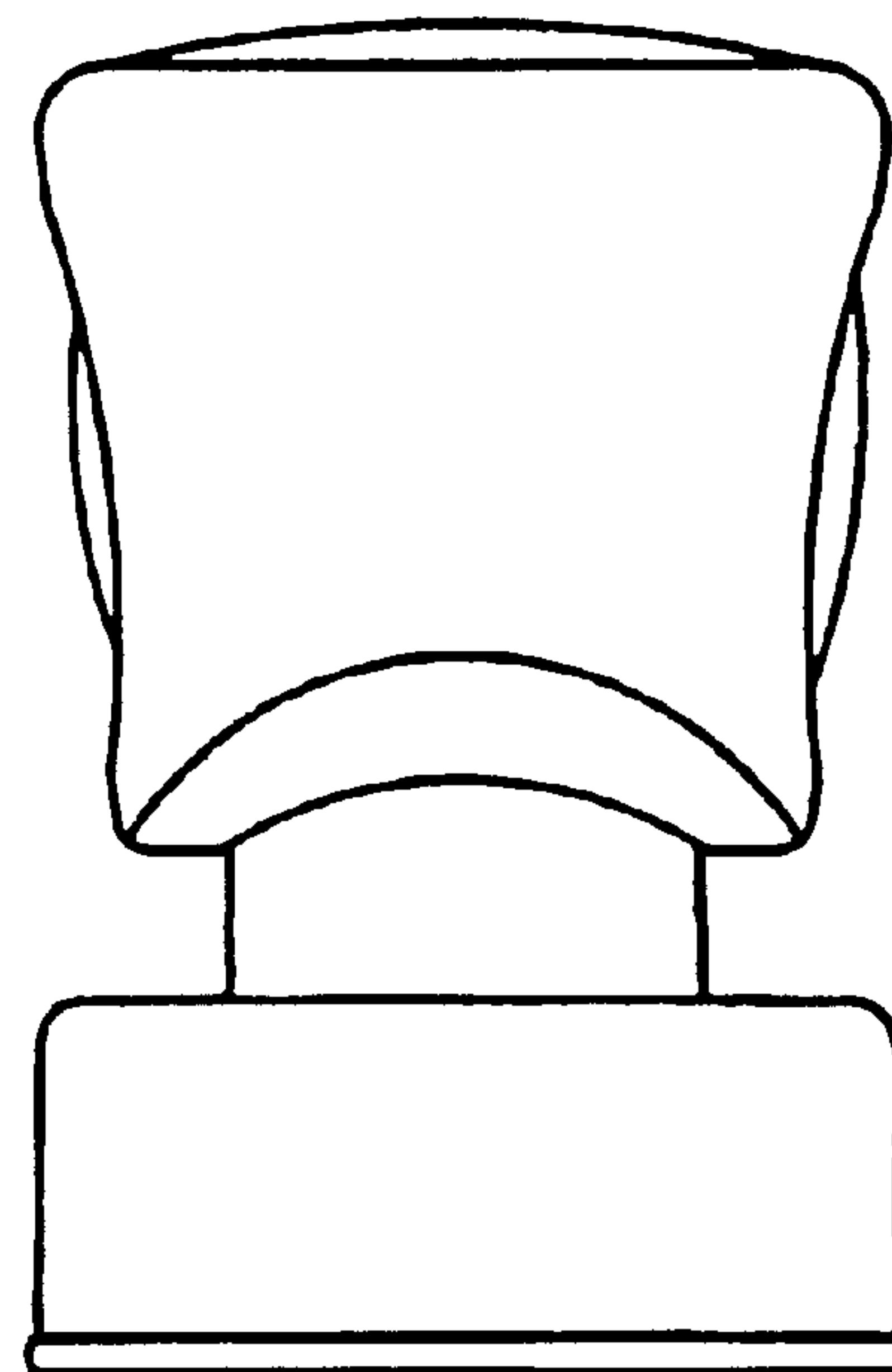


FIG.13

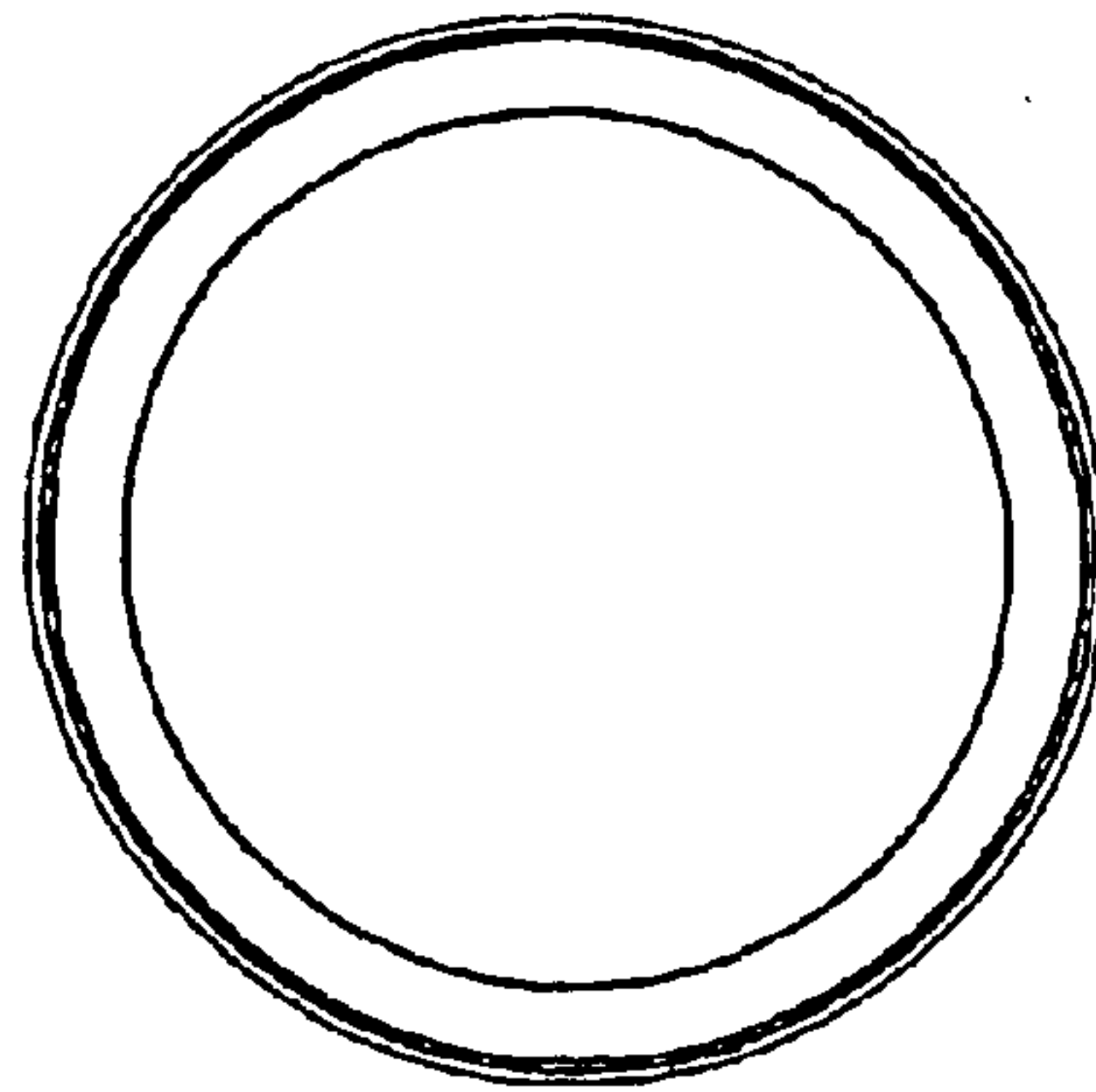


FIG.14

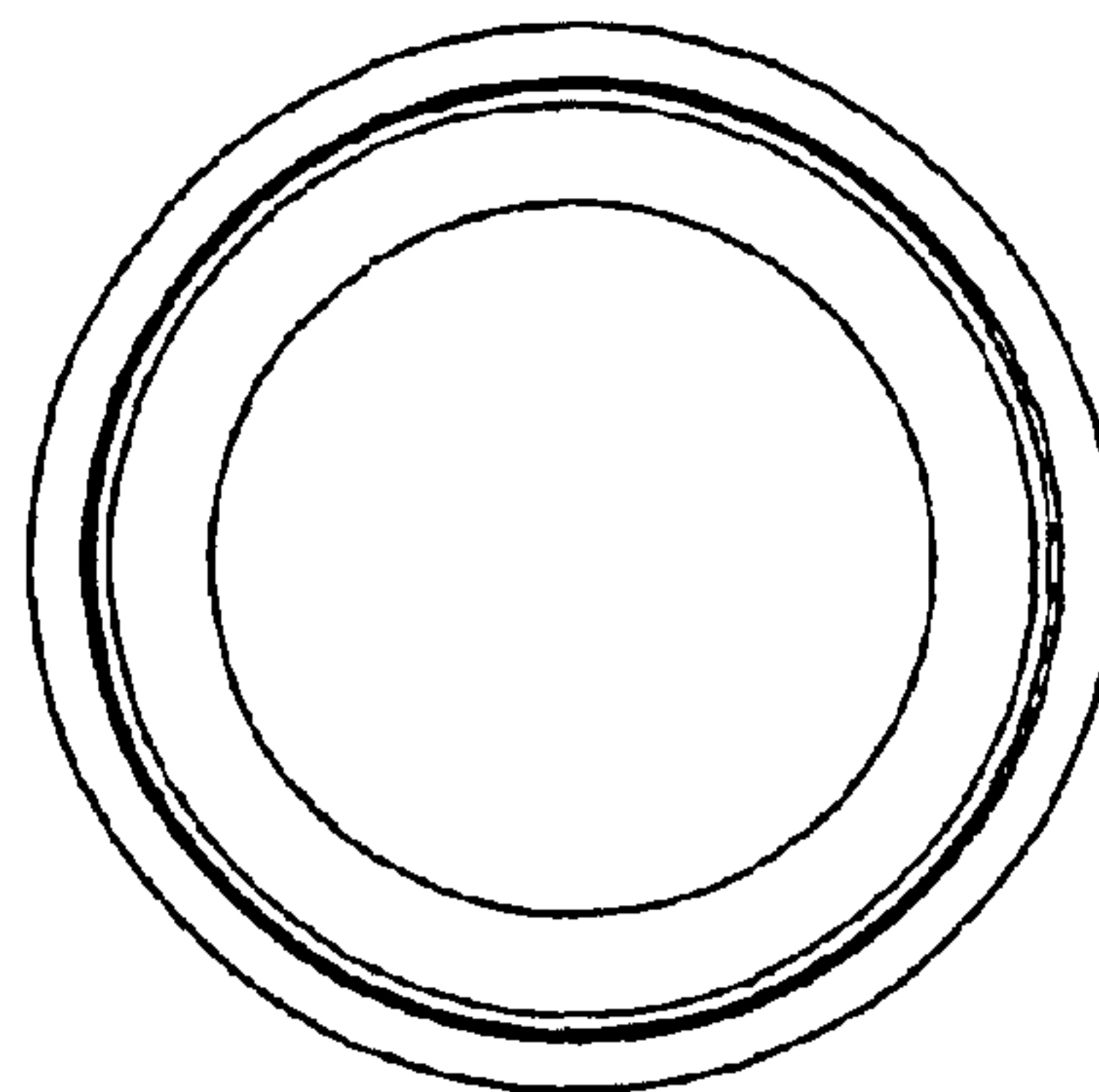


FIG.15

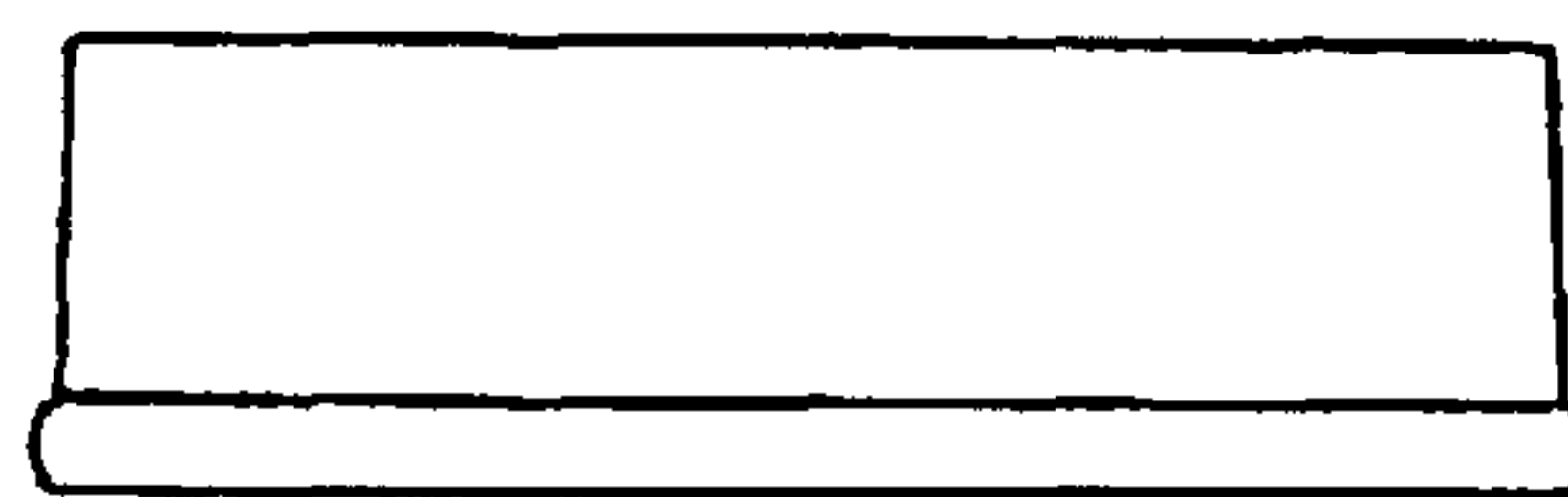


FIG.16

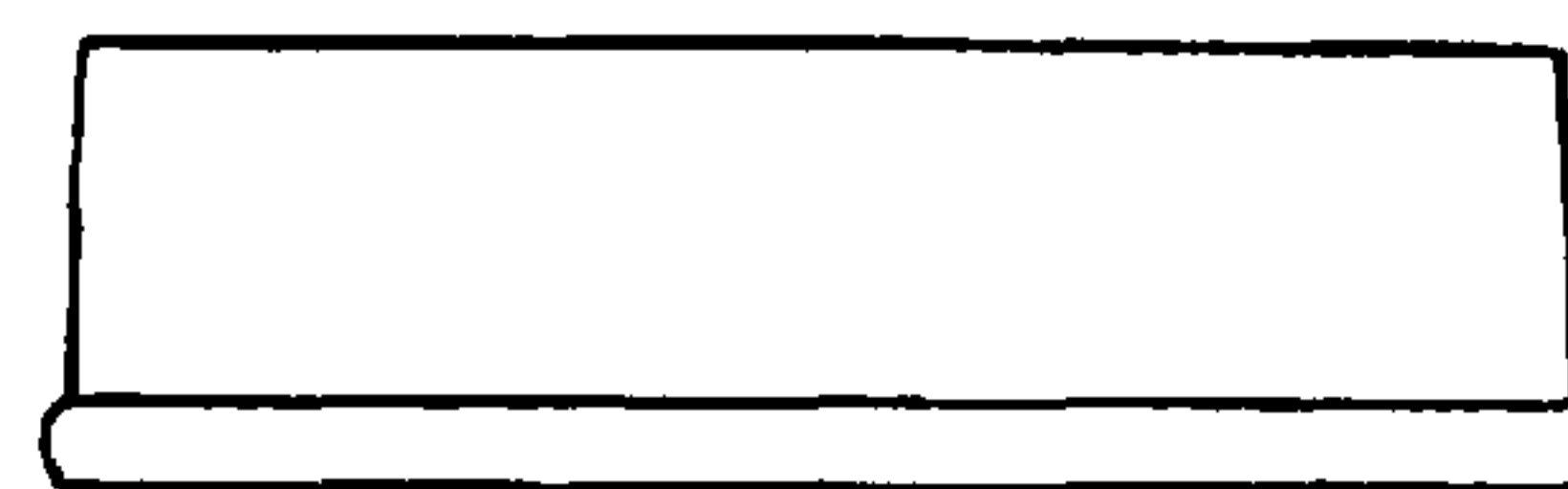


FIG.17



FIG.18

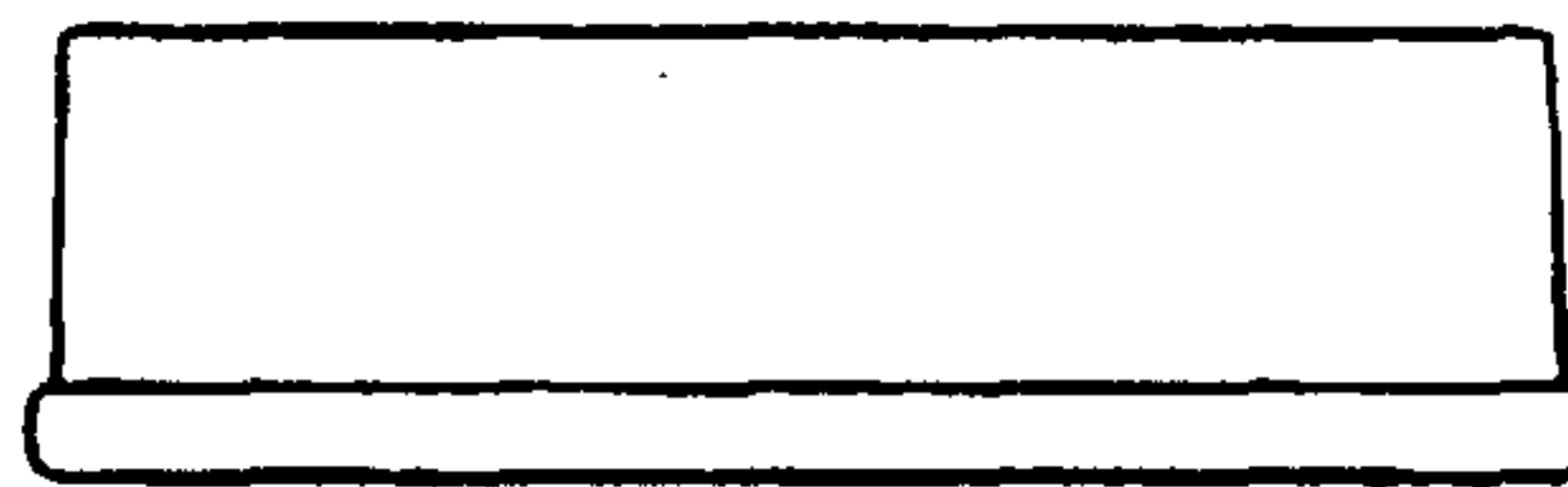


FIG.19

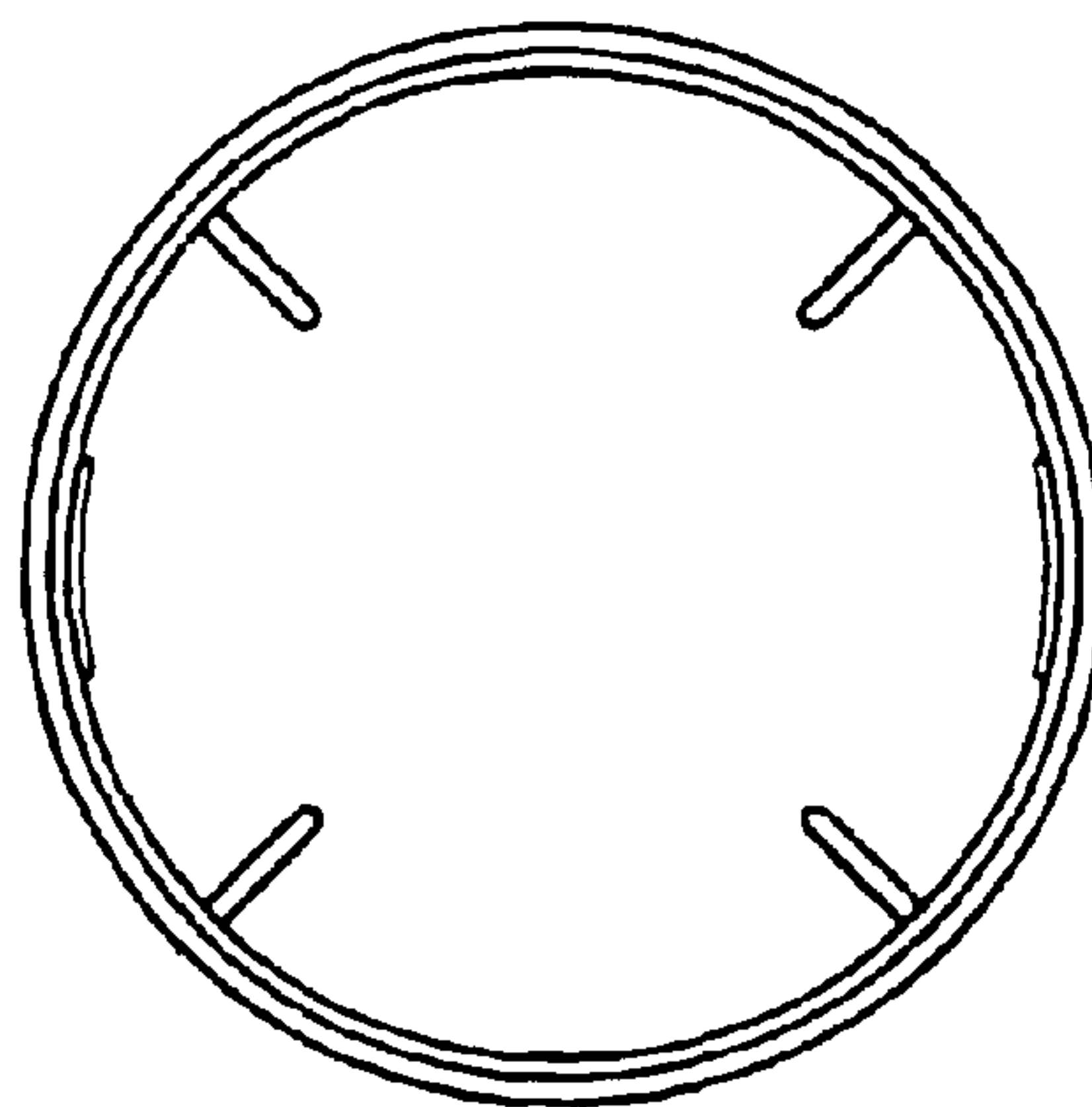


FIG.20

