

US00D507805S

(12) **United States Design Patent**
Shih

(10) **Patent No.:** **US D507,805 S**

(45) **Date of Patent:** **** Jul. 26, 2005**

(54) **STAMP**

(76) **Inventor:** **Shiny Shih**, No. 31, Lane 349,
Chungcheng S. Rd., Yungkang City,
Tainan Hsien (TW)

(**) **Term:** **14 Years**

(21) **Appl. No.:** **29/206,062**

(22) **Filed:** **May 26, 2004**

(51) **LOC (8) Cl.** **19-02**

(52) **U.S. Cl.** **D18/15**

(58) **Field of Search** D18/15-18, 50;
101/333-334, 327, 405, 406, 328, 352.07;
118/264, 268

(56) **References Cited**

U.S. PATENT DOCUMENTS

D352,521 S	*	11/1994	Sculler et al.	D18/15
5,377,599 A	*	1/1995	Wall et al.	101/327
D359,504 S	*	6/1995	Stefanski et al.	D18/15
D372,729 S	*	8/1996	Hewitt	D18/18
D378,828 S	*	4/1997	Harden	D18/15

D385,905 S	*	11/1997	Harden	D18/15
D417,232 S	*	11/1999	Harden	D18/15
D427,234 S	*	6/2000	Loy et al.	D18/15
D492,343 S	*	6/2004	Zambelli	D18/15
D495,733 S	*	9/2004	Sculler	D18/18

* cited by examiner

Primary Examiner—Charles A. Rademaker

(74) *Attorney, Agent, or Firm*—Dennison, Schultz,
Dougherty & MacDonald

(57) **CLAIM**

The ornamental design for a stamp, as shown.

DESCRIPTION

FIG. 1 is a perspective view of a stamp, showing my new design;

FIG. 2 is a front view thereof;

FIG. 3 is a rear view thereof;

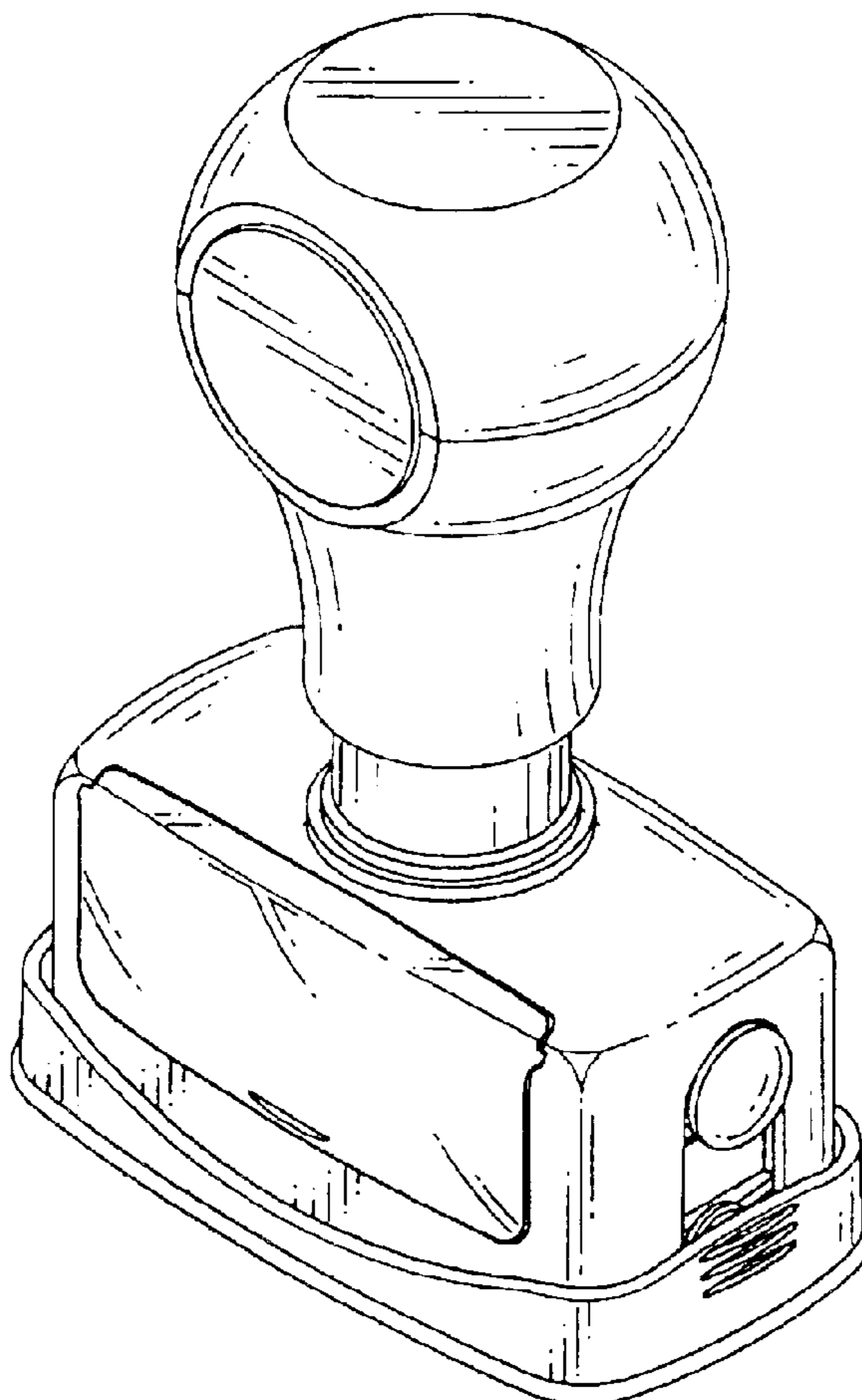
FIG. 4 is a left side view thereof;

FIG. 5 is a right side view thereof;

FIG. 6 is a top view thereof; and,

FIG. 7 is a bottom view thereof.

1 Claim, 4 Drawing Sheets



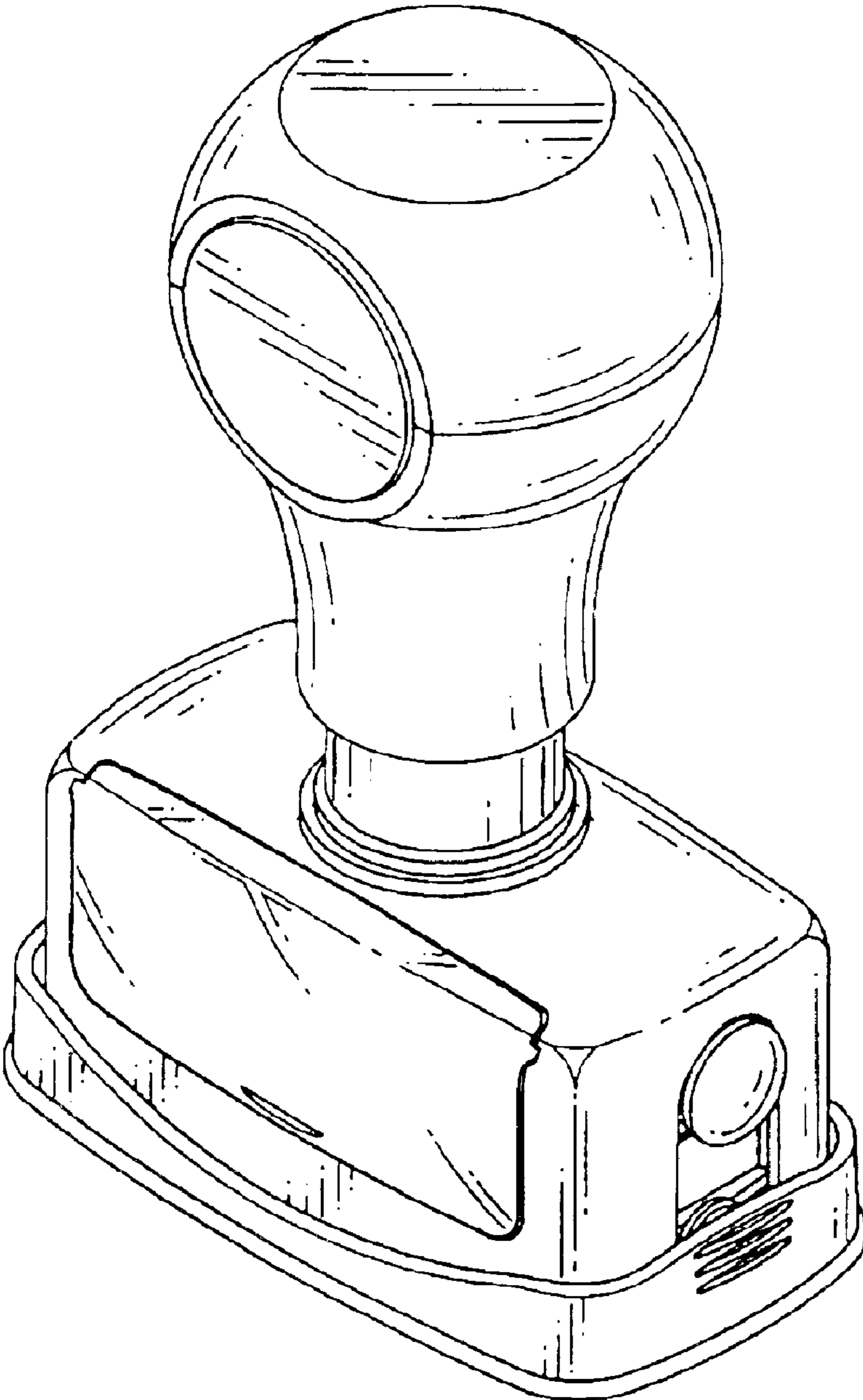


FIG. 1

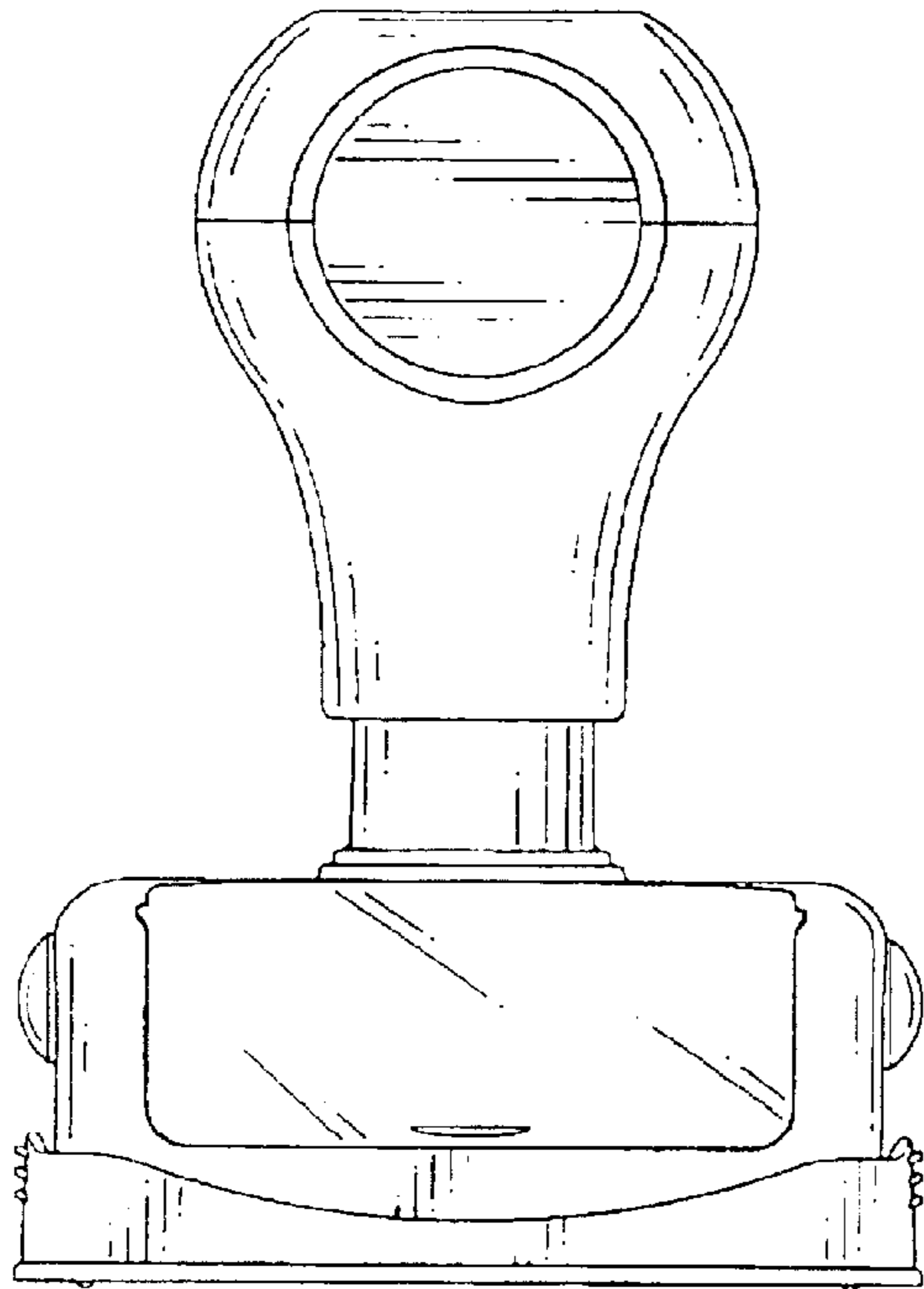


FIG. 2

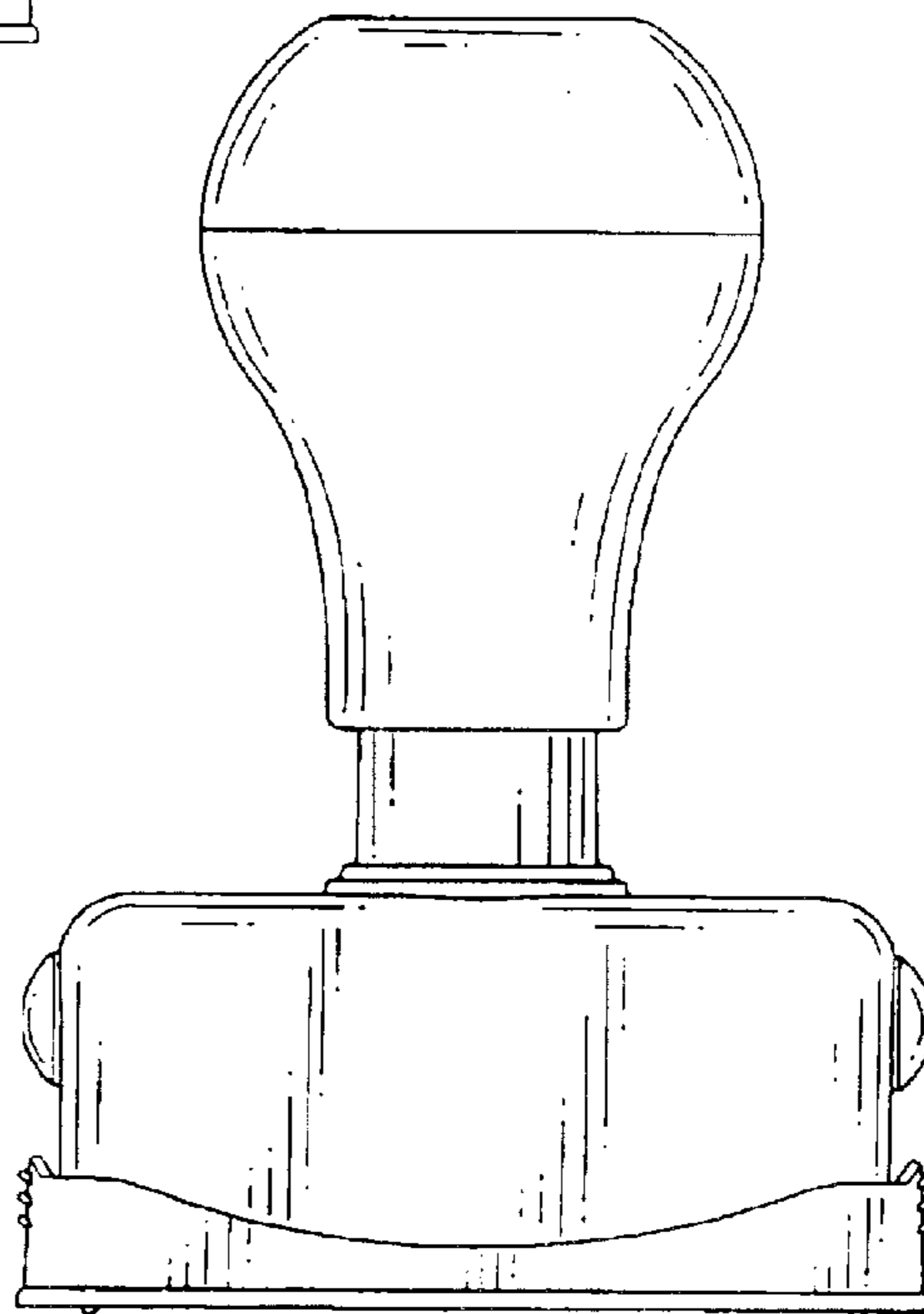


FIG. 3

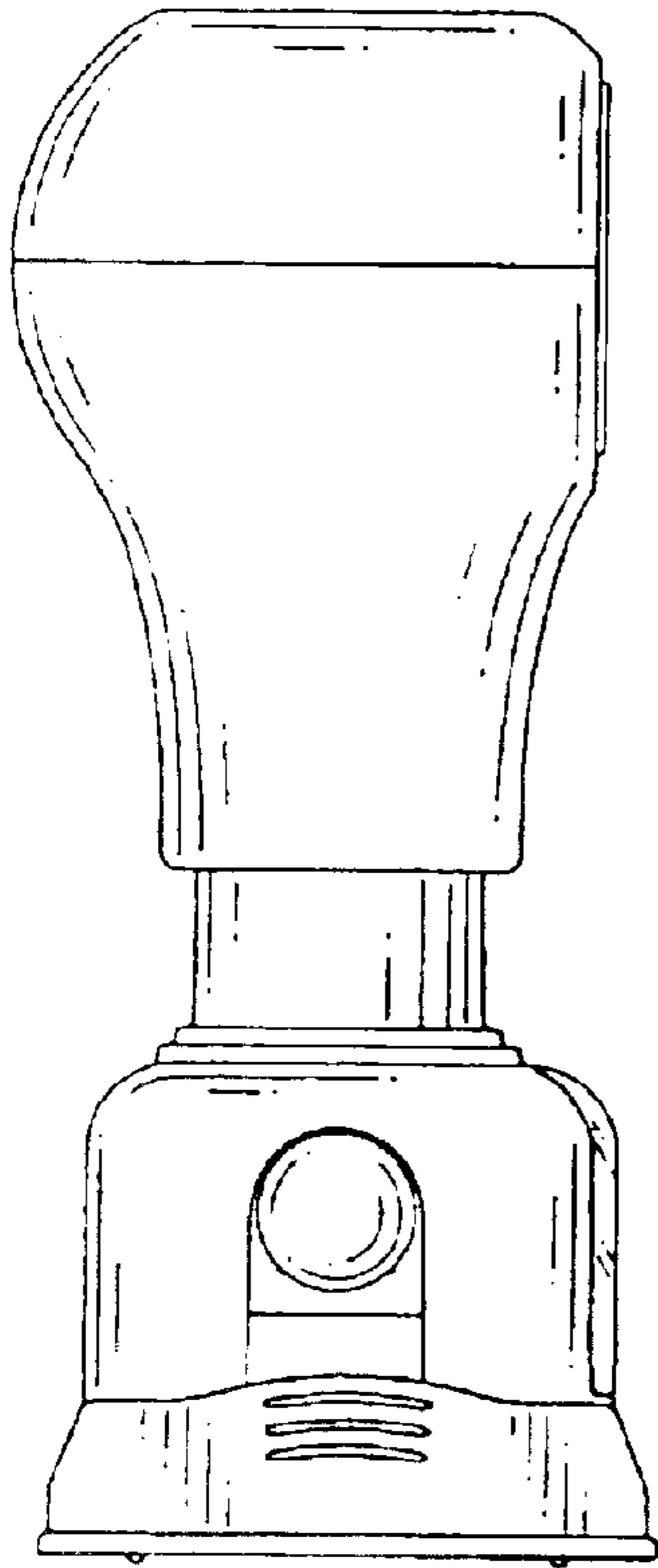


FIG. 4

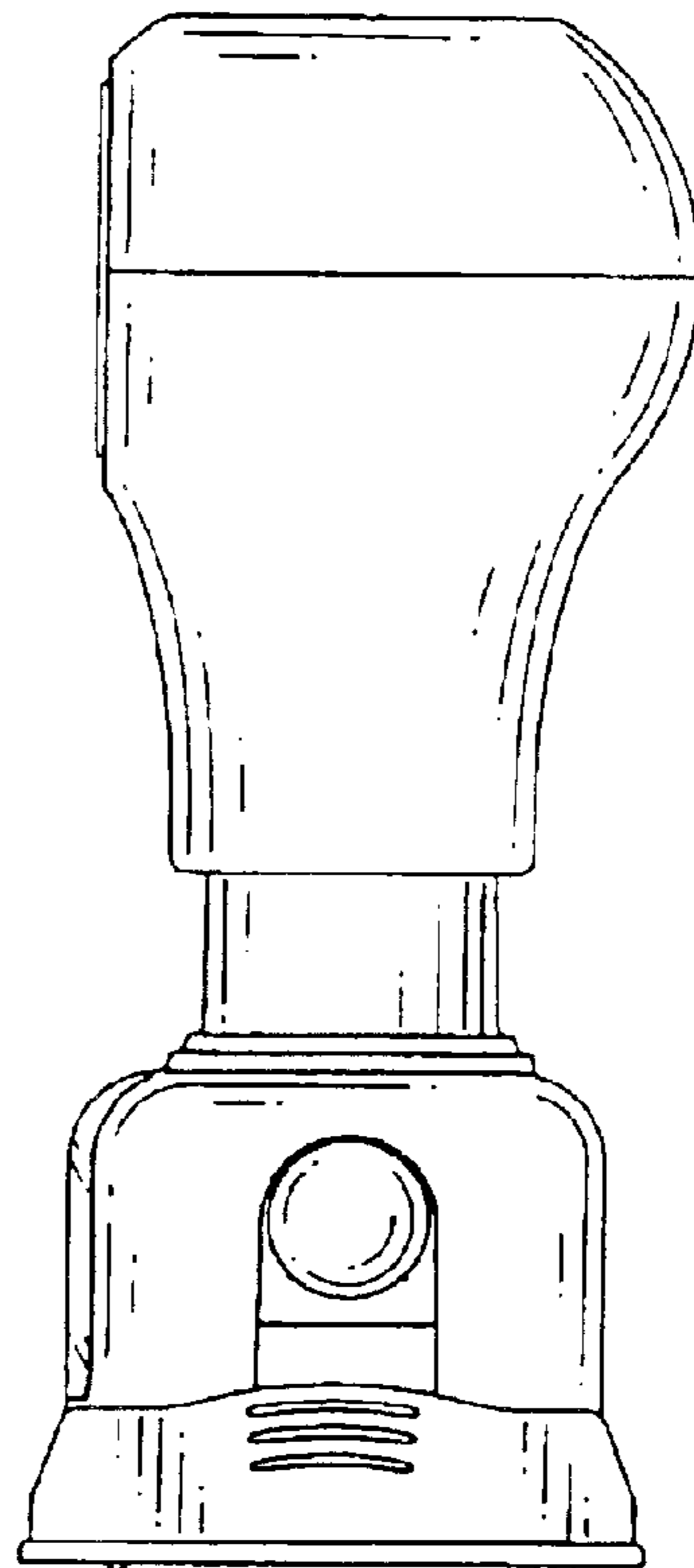


FIG. 5

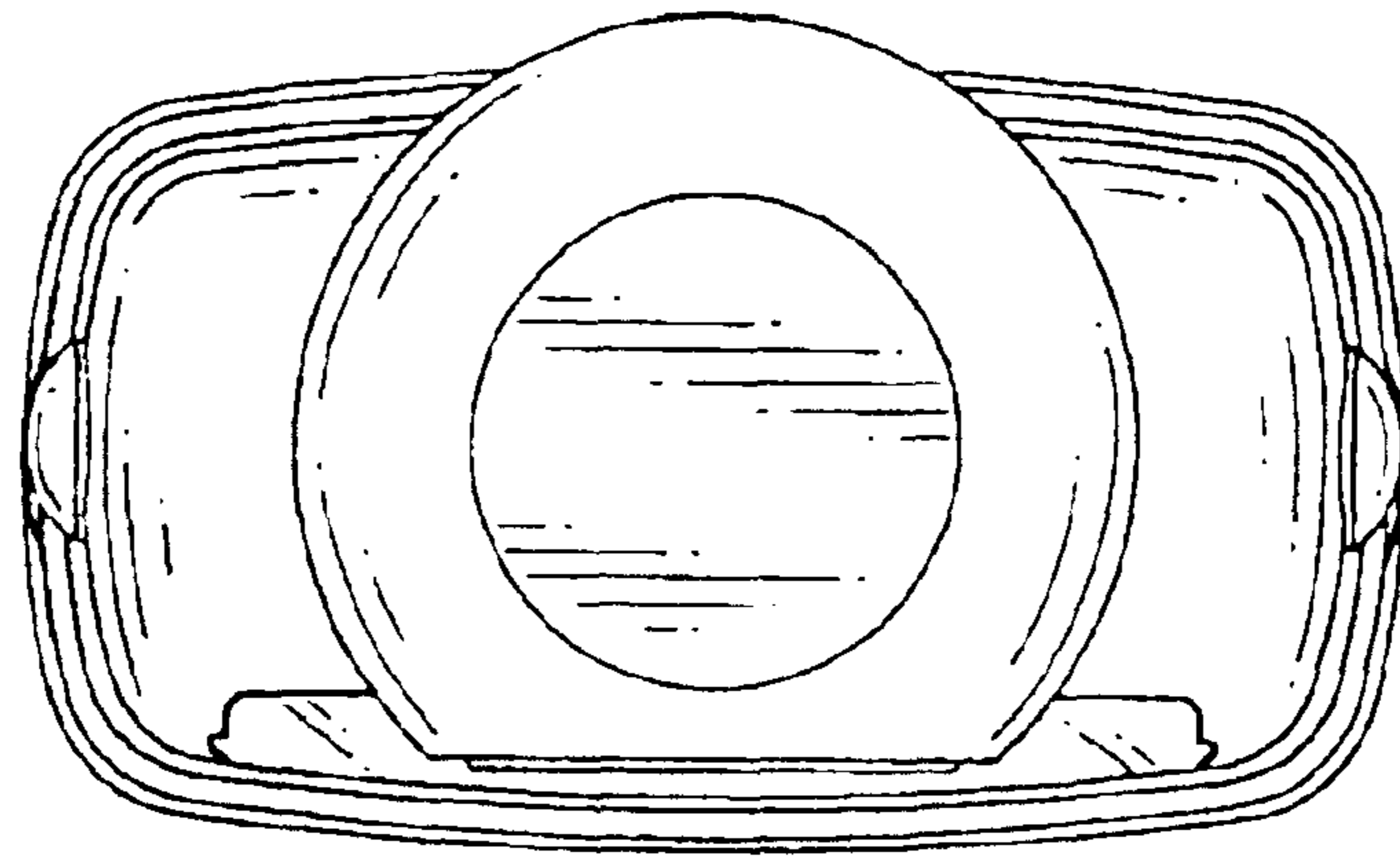


FIG. 6

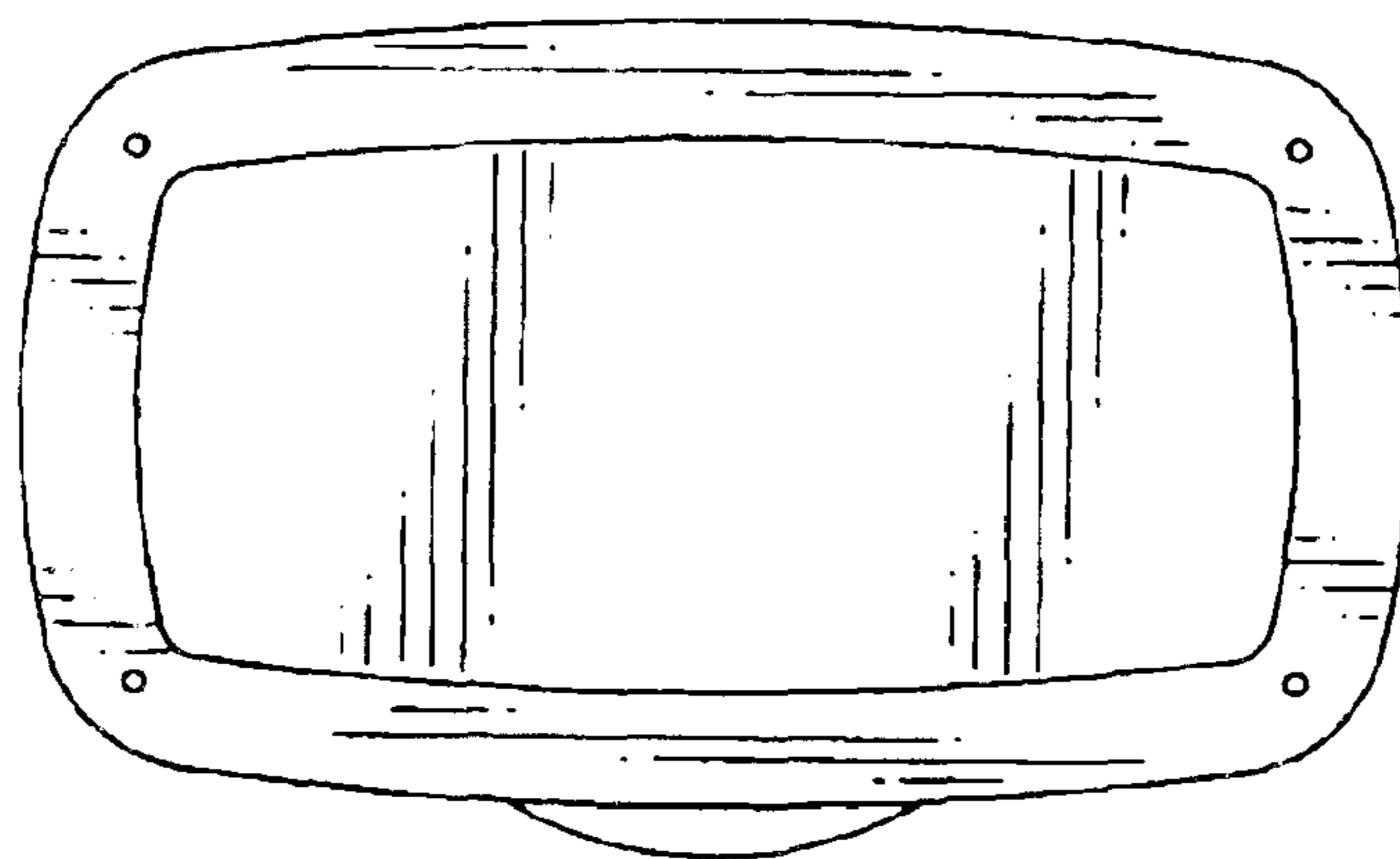


FIG. 7