

US00D507804S

(12) **United States Design Patent**  
**Nagai**

(10) **Patent No.:** **US D507,804 S**  
(45) **Date of Patent:** **\*\* Jul. 26, 2005**

(54) **HOUSING FOR SURVEILLANCE CAMERA**

(75) Inventor: **Kouzi Nagai**, Tokyo (JP)

(73) Assignee: **Ikegami Tsushinki Co., Ltd.**, Tokyo (JP)

(\*\*) Term: **14 Years**

(21) Appl. No.: **29/218,187**

(22) Filed: **Nov. 29, 2004**

**Related U.S. Application Data**

(62) Division of application No. 29/194,069, filed on Nov. 19, 2003, now Pat. No. Des. 501,863.

(30) **Foreign Application Priority Data**

Jun. 17, 2003 (JP) ..... 2003-17083  
Jun. 17, 2003 (JP) ..... 2003-17102  
Jun. 17, 2003 (JP) ..... 2003-17125  
Jun. 17, 2003 (JP) ..... 2003-17143

(51) **LOC (8) Cl.** ..... **16-01**

(52) **U.S. Cl.** ..... **D16/203**

(58) **Field of Search** ..... D16/200-204,  
D16/208, 218, 219; 348/143, 151, 373-376;  
396/427, 535, 536-541

(56) **References Cited**

**U.S. PATENT DOCUMENTS**

D325,212 S 4/1992 Elberbaum  
D388,450 S 12/1997 Hamano et al.  
D399,517 S 10/1998 Hasegawa  
D412,924 S 8/1999 Hiraguchi  
D414,504 S 9/1999 Madden  
D415,509 S 10/1999 Hiraguchi  
6,061,087 A 5/2000 Schieltz et al.  
6,354,749 B1 3/2002 Pfaffenberger, II  
6,357,936 B1 \* 3/2002 Elberbaum ..... 396/427  
D457,904 S 5/2002 Toste et al.  
6,525,766 B1 \* 2/2003 Ikoma et al. .... 348/151

D473,887 S 4/2003 Jones et al.  
6,678,001 B1 1/2004 Elberbaum  
6,715,940 B2 \* 4/2004 Top et al. .... 396/427  
D489,742 S 5/2004 Nagai  
D494,992 S \* 8/2004 Seo ..... D16/203  
D497,927 S \* 11/2004 Arbuckle et al. .... D16/203

**FOREIGN PATENT DOCUMENTS**

JP 63-28544 7/1988  
JP 1-23775 6/1989  
JP 4-22387 6/1992  
JP 4-22386 7/1992  
JP 4-22388 7/1992  
JP 4-38074 12/1992  
JP 4-38075 12/1992  
JP 4-38076 12/1992

**OTHER PUBLICATIONS**

Elbex CCTV Systems, www.elbex.co.jp, EX410 Series. pp. 1-2 printed Nov. 19, 2003.

\* cited by examiner

*Primary Examiner*—Adir Aronovich

(57) **CLAIM**

I claim the ornamental design for a housing for surveillance camera, as shown and described.

**DESCRIPTION**

FIG. 1 is a perspective view of the housing for surveillance camera;

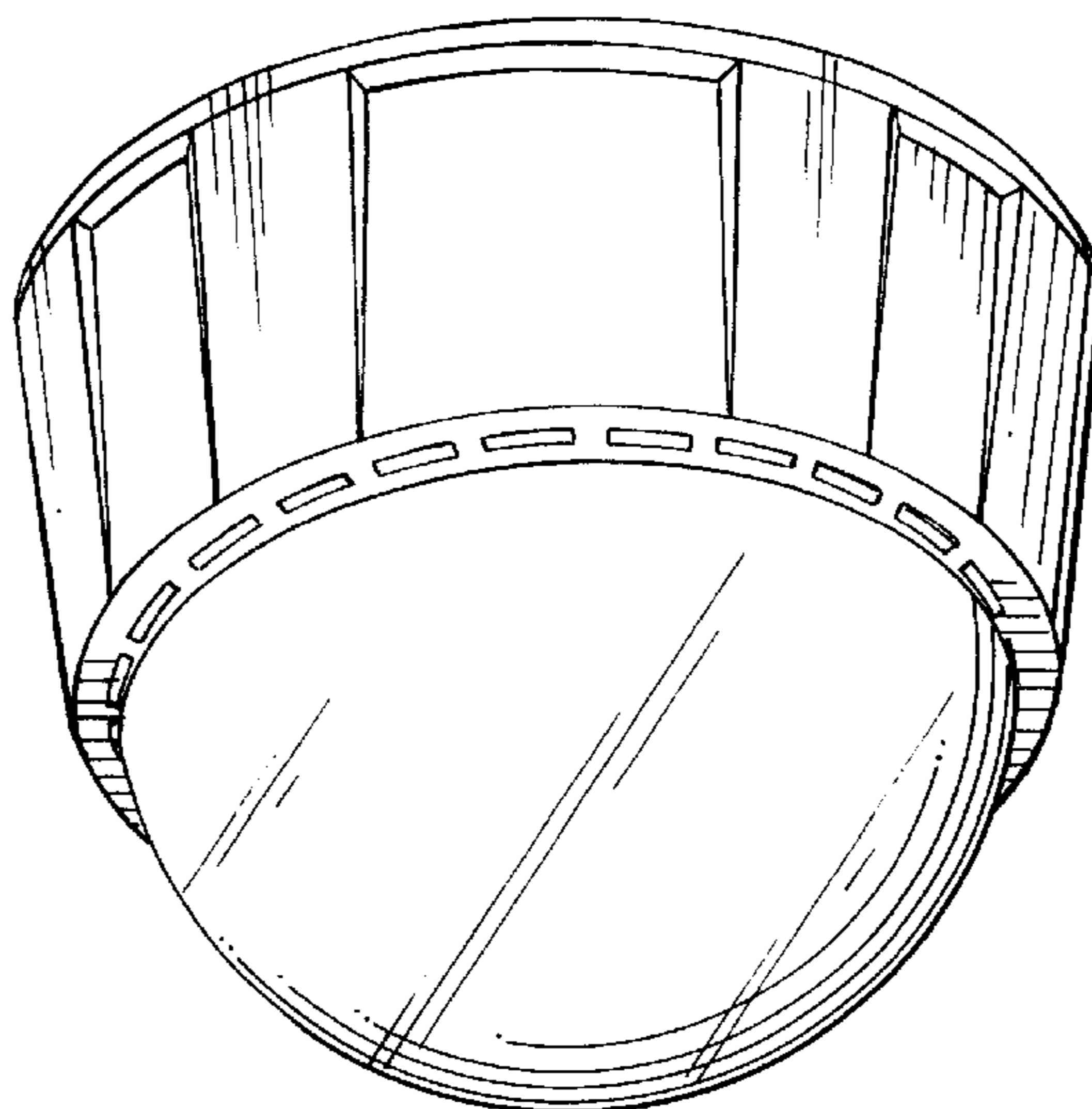
FIG. 2 is both a front view and a rear view of the housing for surveillance camera;

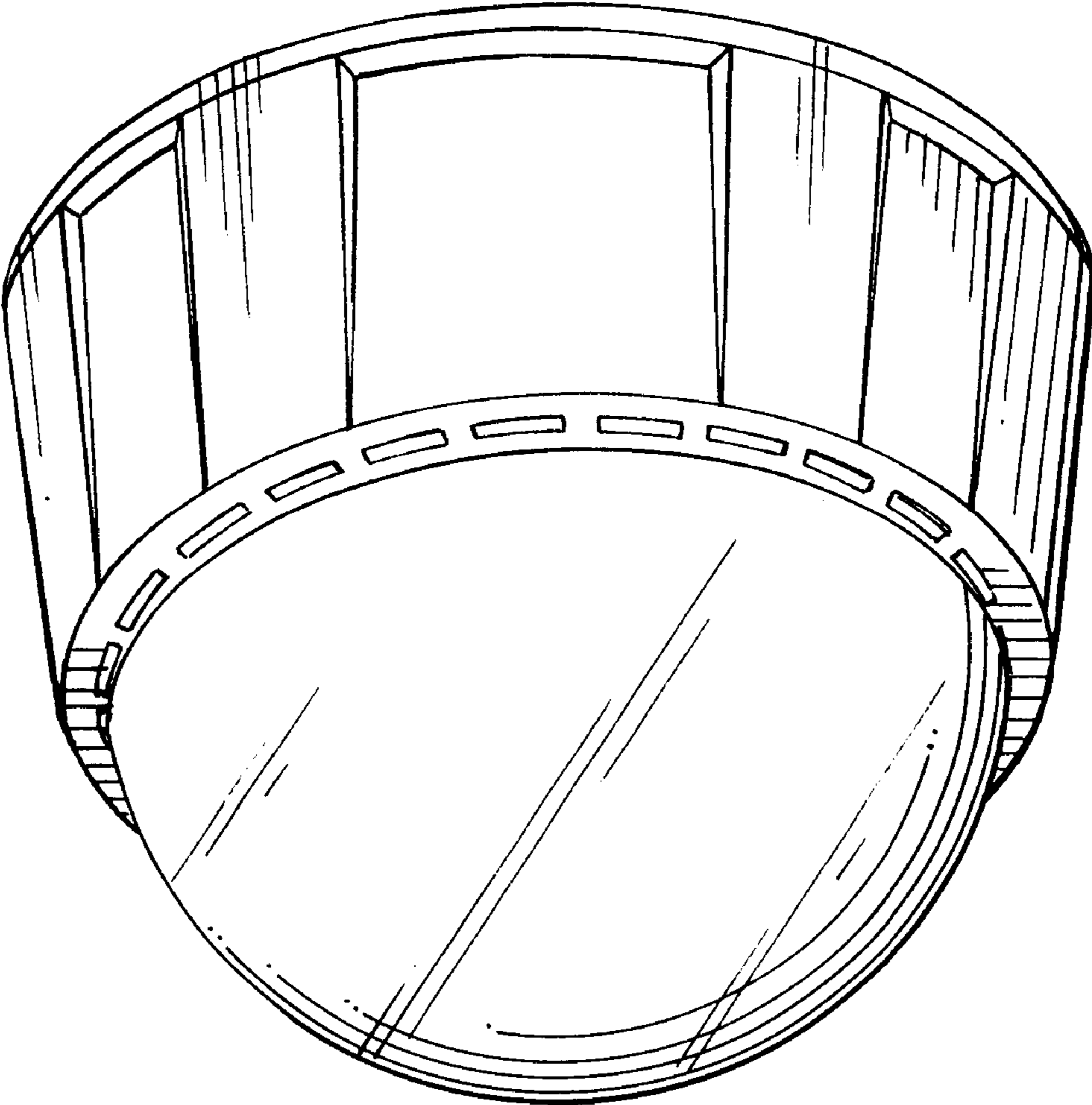
FIG. 3 is both a right side view and a left side view of the housing for surveillance camera;

FIG. 4 is a top view of the housing for surveillance camera; and,

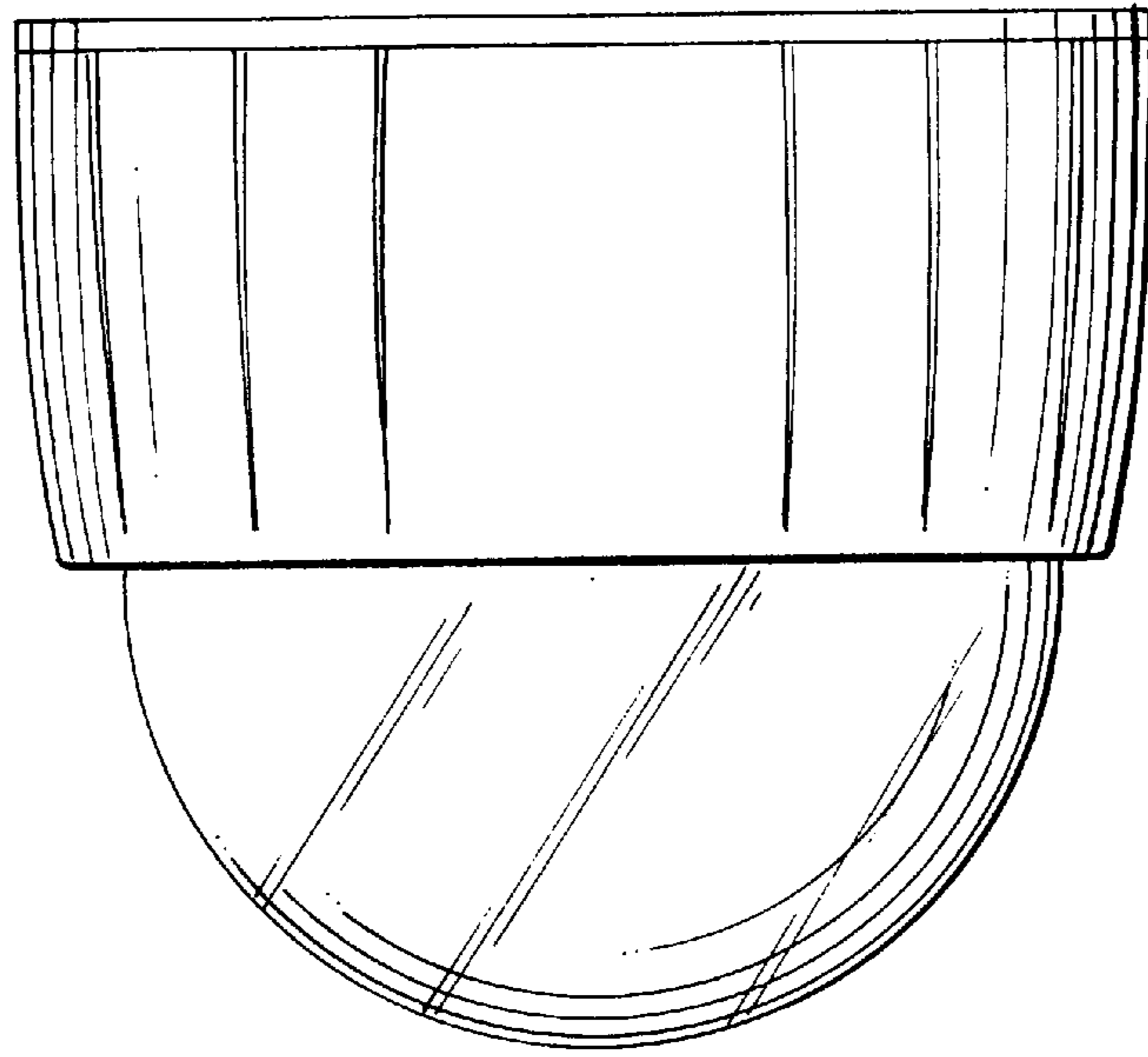
FIG. 5 is a bottom view of the housing for surveillance camera.

**1 Claim, 3 Drawing Sheets**

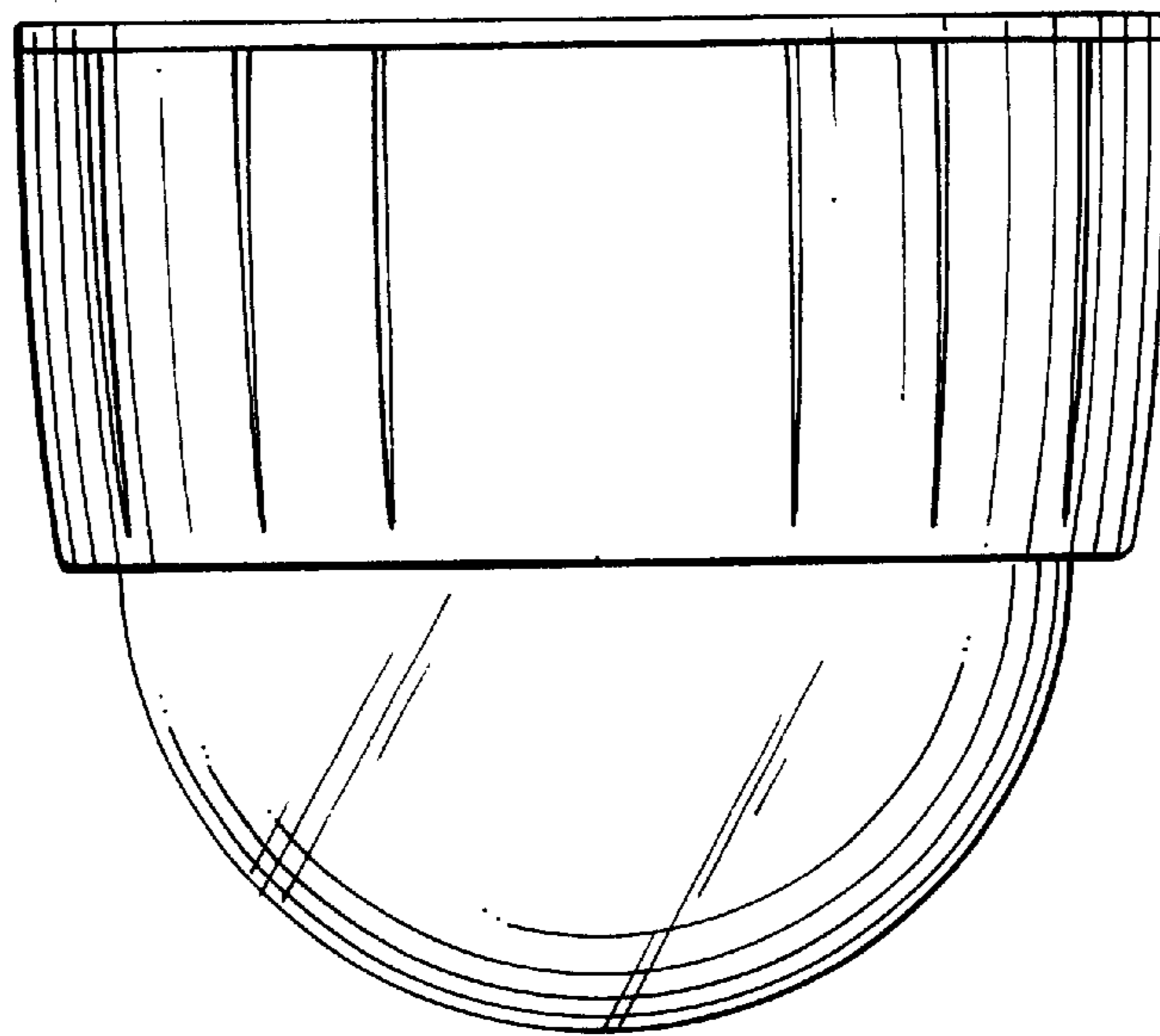




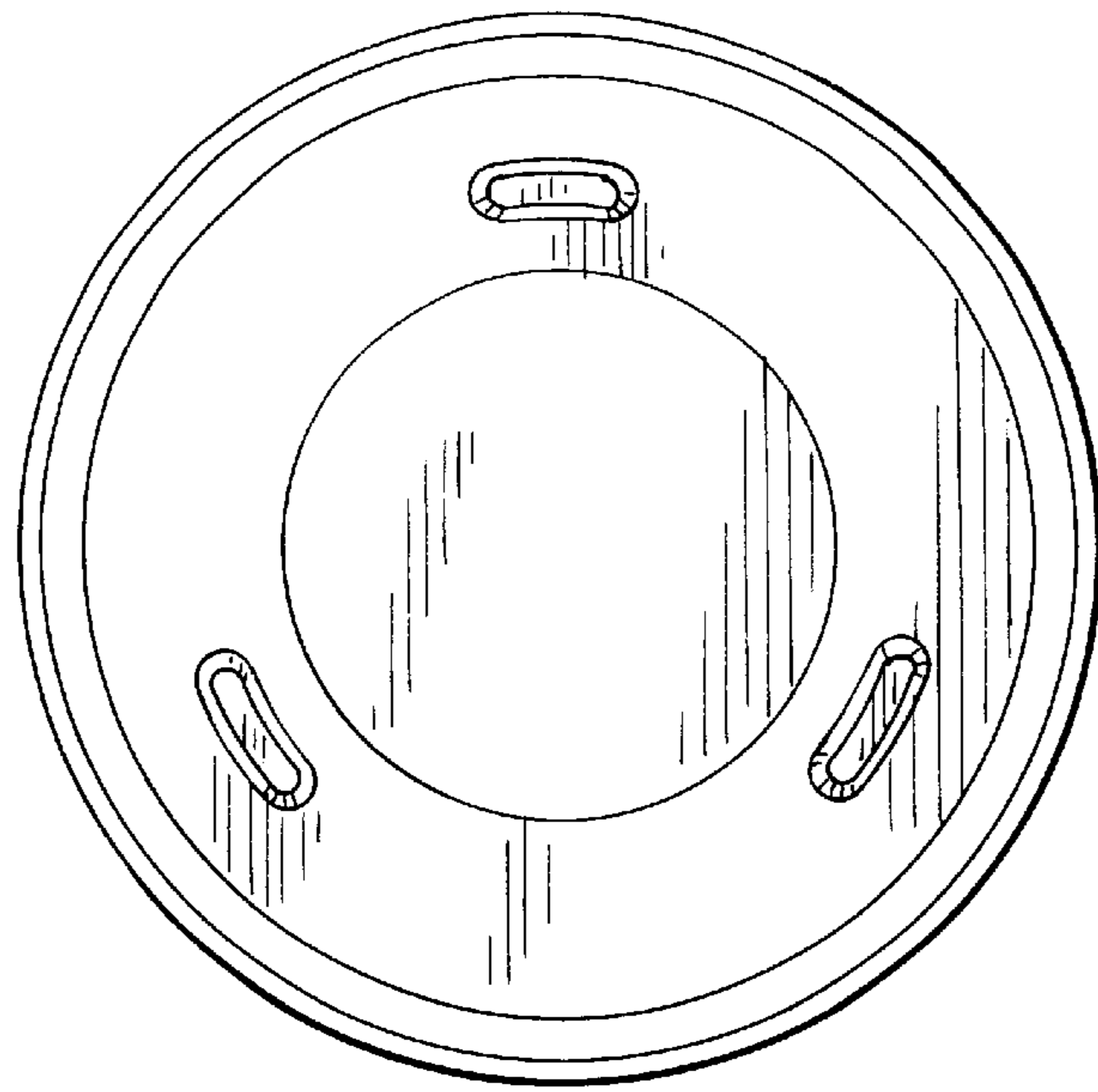
*FIG. 1*



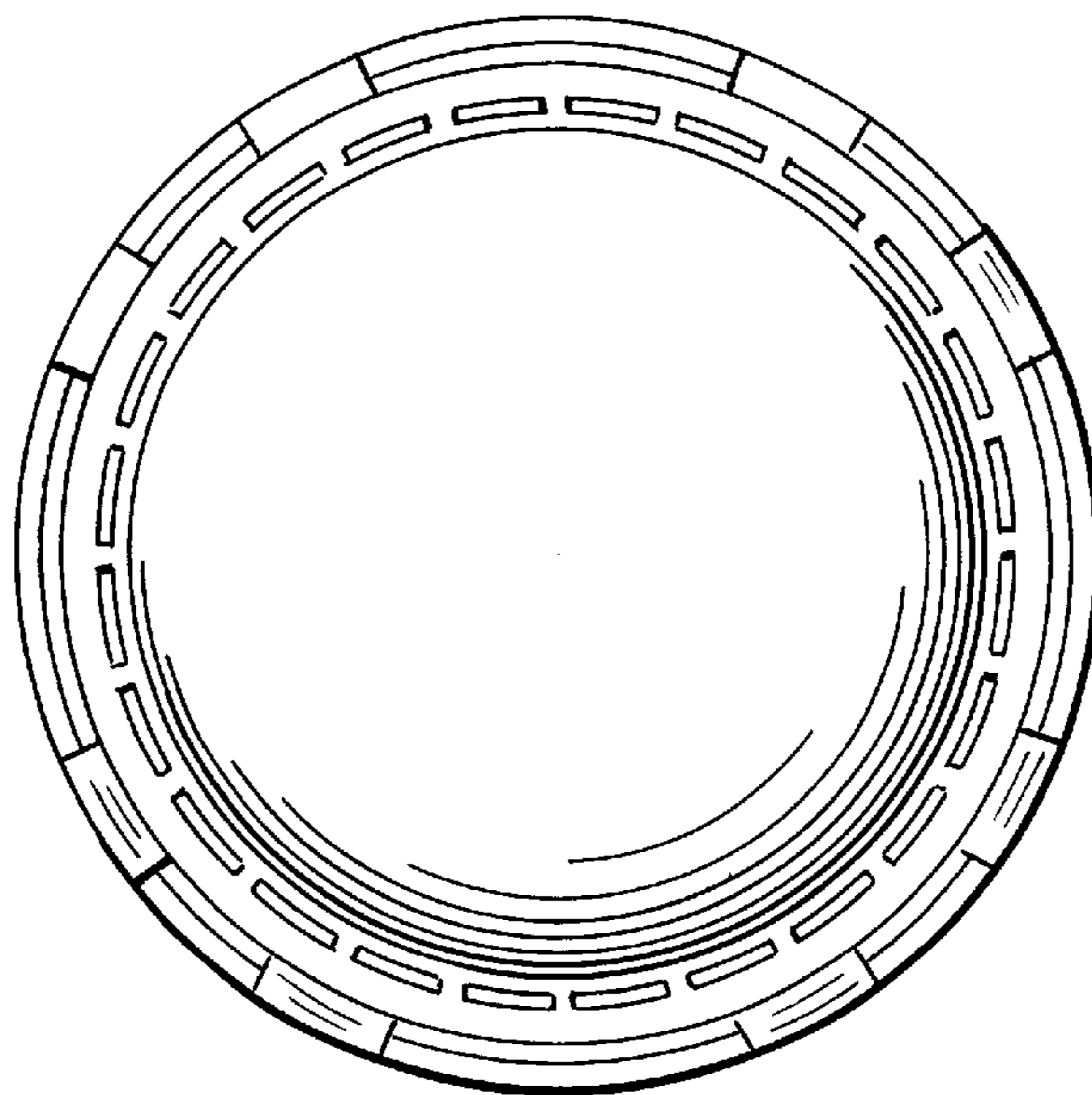
*FIG. 2*



*FIG. 3*



*FIG. 4*



*FIG. 5*