



US00D507802S

(12) **United States Design Patent**
Lee

(10) **Patent No.:** **US D507,802 S**
(45) **Date of Patent:** **** Jul. 26, 2005**

(54) **POWER SAW MACHINE**

(76) **Inventor:** **Wy Peron Lee**, 1595 E. 6th St., #102,
Corona, CA (US) 92879

(**) **Term:** **14 Years**

(21) **Appl. No.:** **29/175,427**

(22) **Filed:** **Feb. 4, 2003**

(51) **LOC (8) Cl.** **15-09**

(52) **U.S. Cl.** **D15/133**

(58) **Field of Search** D15/127, 133;
83/471.3, 486.1, 581, 490; 125/13.01

(56) **References Cited**

U.S. PATENT DOCUMENTS

D418,846 S * 1/2000 Chen D15/127
D451,109 S * 11/2001 Governo et al. D15/133
6,439,218 B1 * 8/2002 Hulett 125/13.01

* cited by examiner

Primary Examiner—Antoine D. Davis

(74) *Attorney, Agent, or Firm*—Raymond Y. Chan; David
and Raymond

(57) **CLAIM**

The ornamental design for a power saw machine, as shown.

DESCRIPTION

FIG. 1 is a perspective view showing my new design.

FIG. 2 is a front view thereof.

FIG. 3 is a rear view thereof.

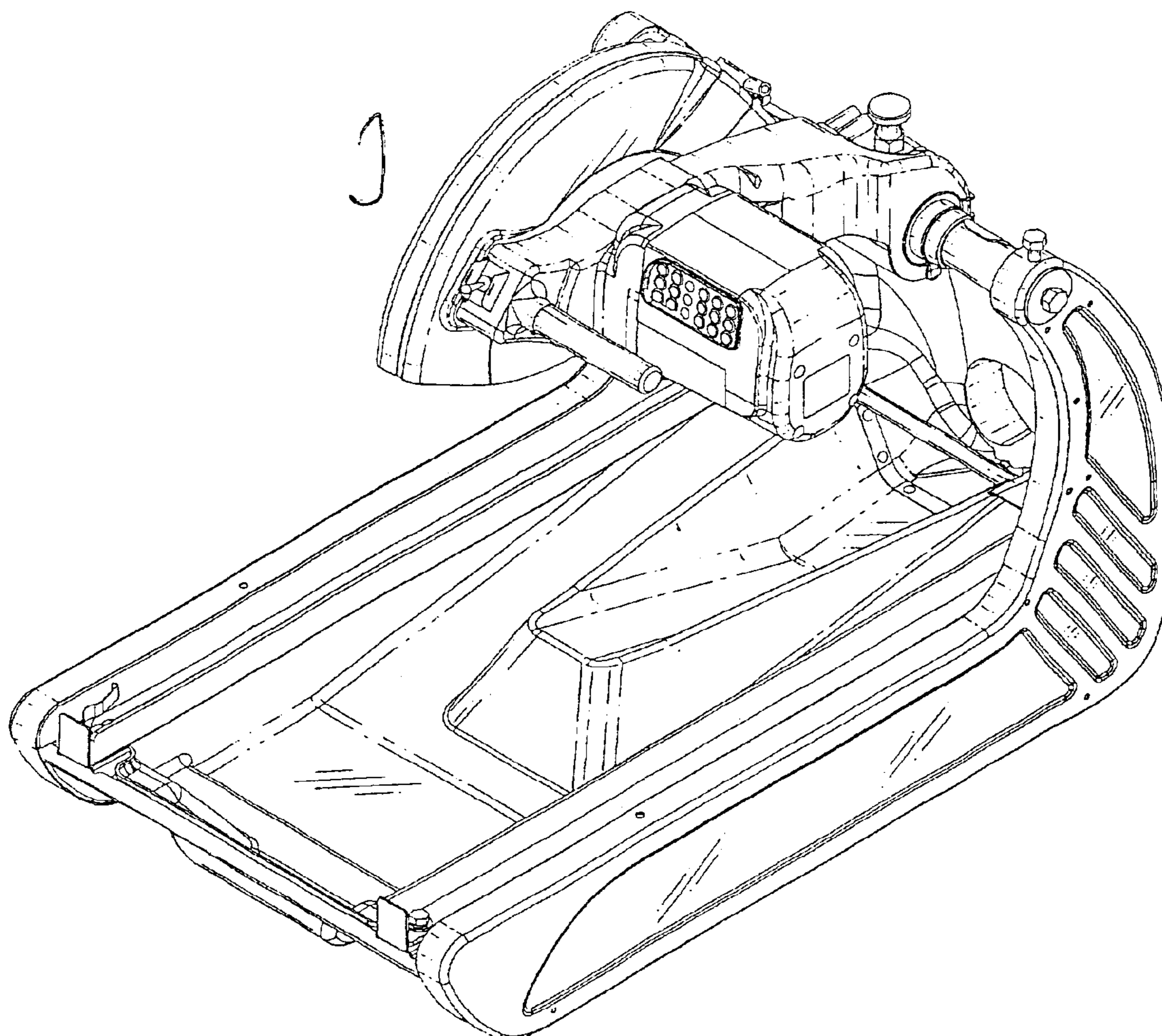
FIG. 4 is a left end view thereof.

FIG. 5 is a right end view thereof.

FIG. 6 is a top view thereof; and,

FIG. 7 is a bottom view thereof.

1 Claim, 7 Drawing Sheets



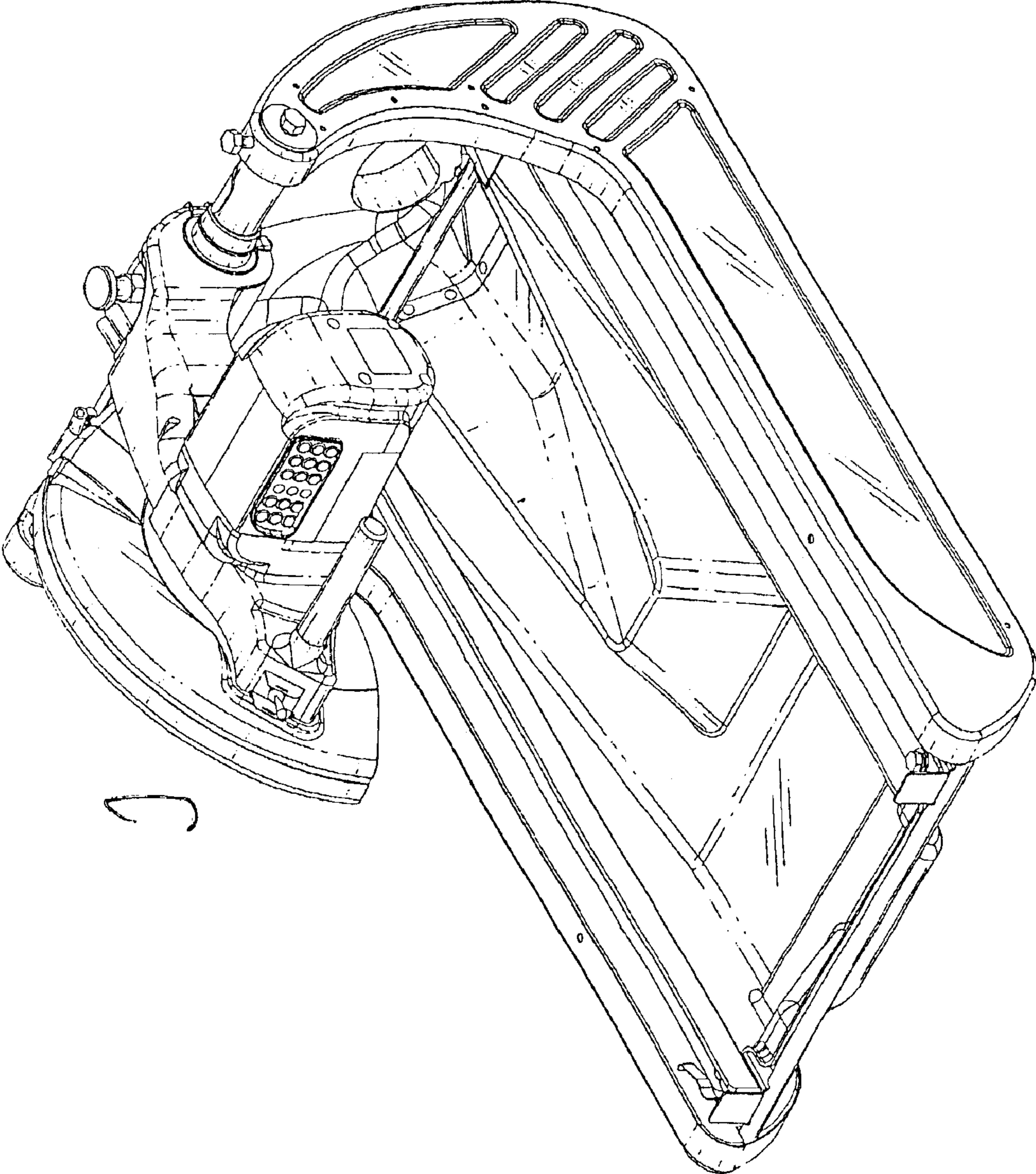


FIG. 1

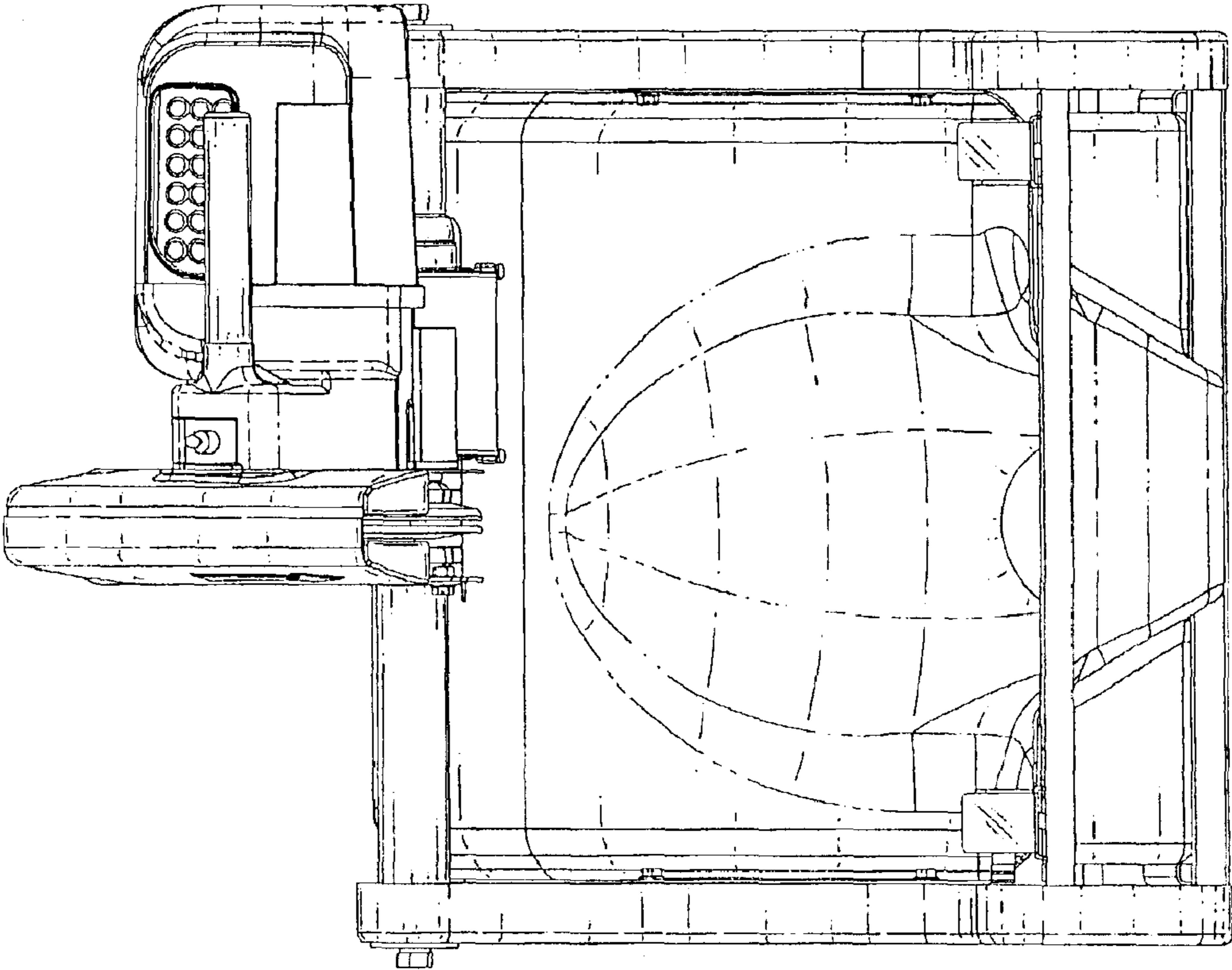


FIG. 2

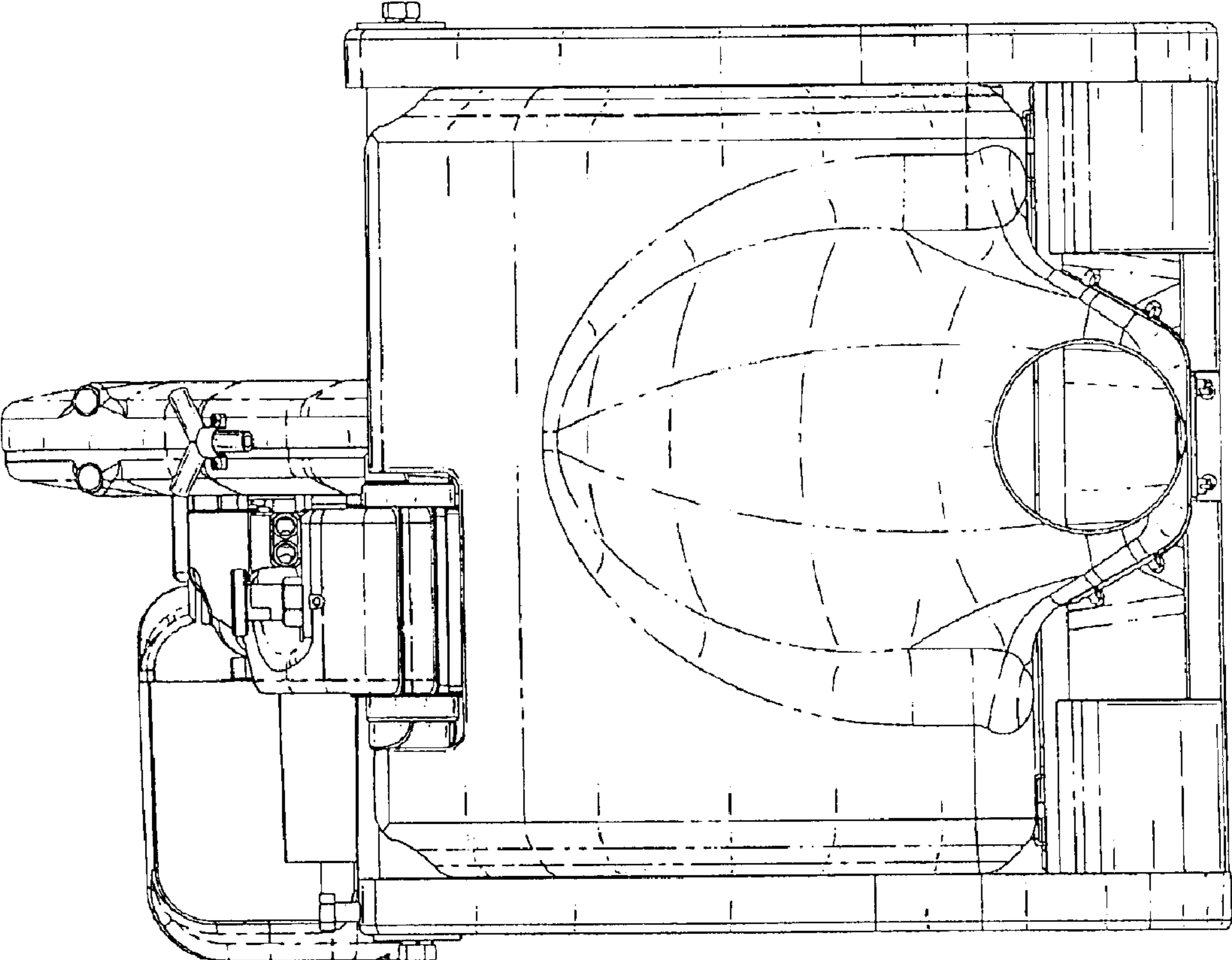


FIG. 3

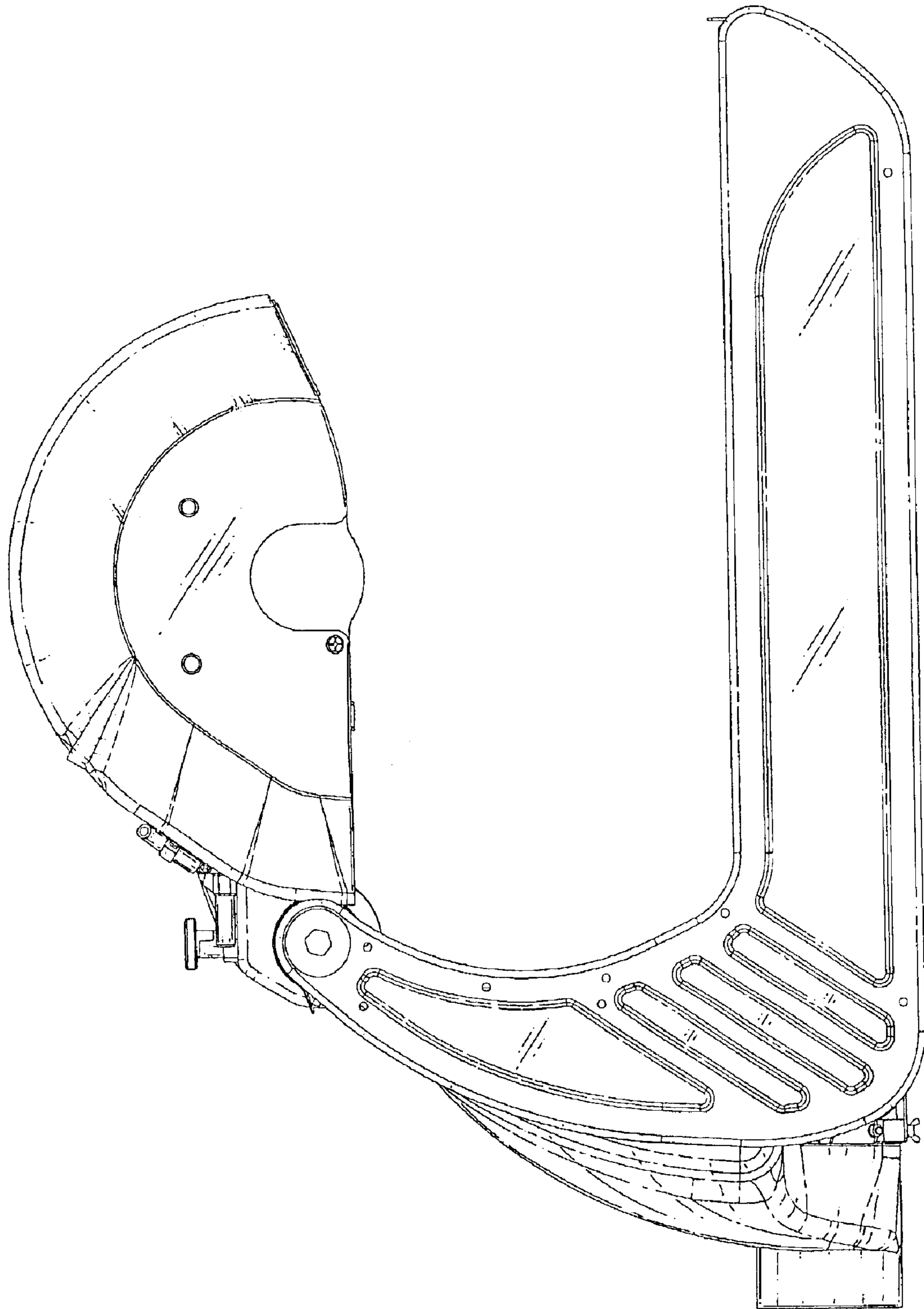


FIG. 4

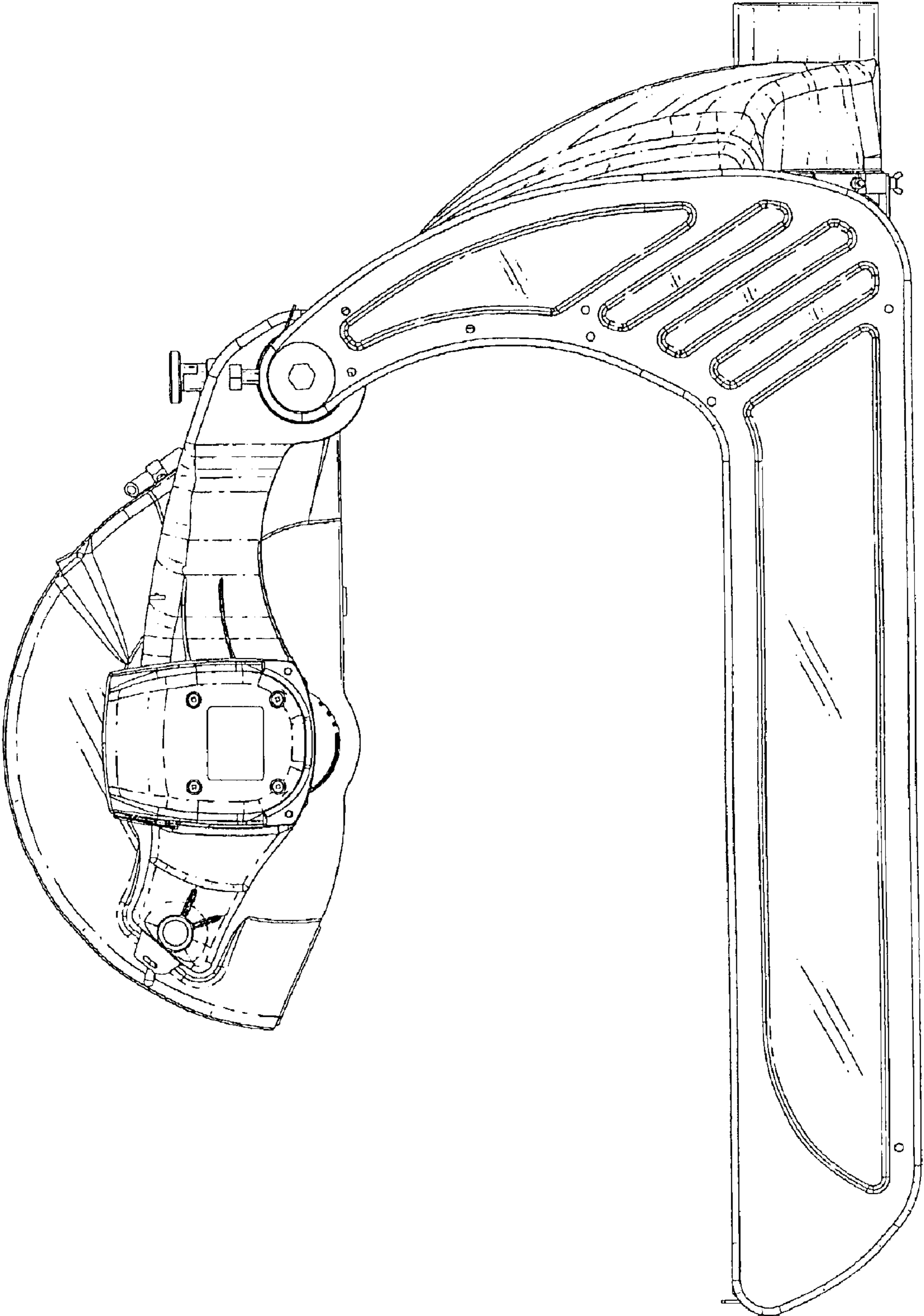


FIG. 5

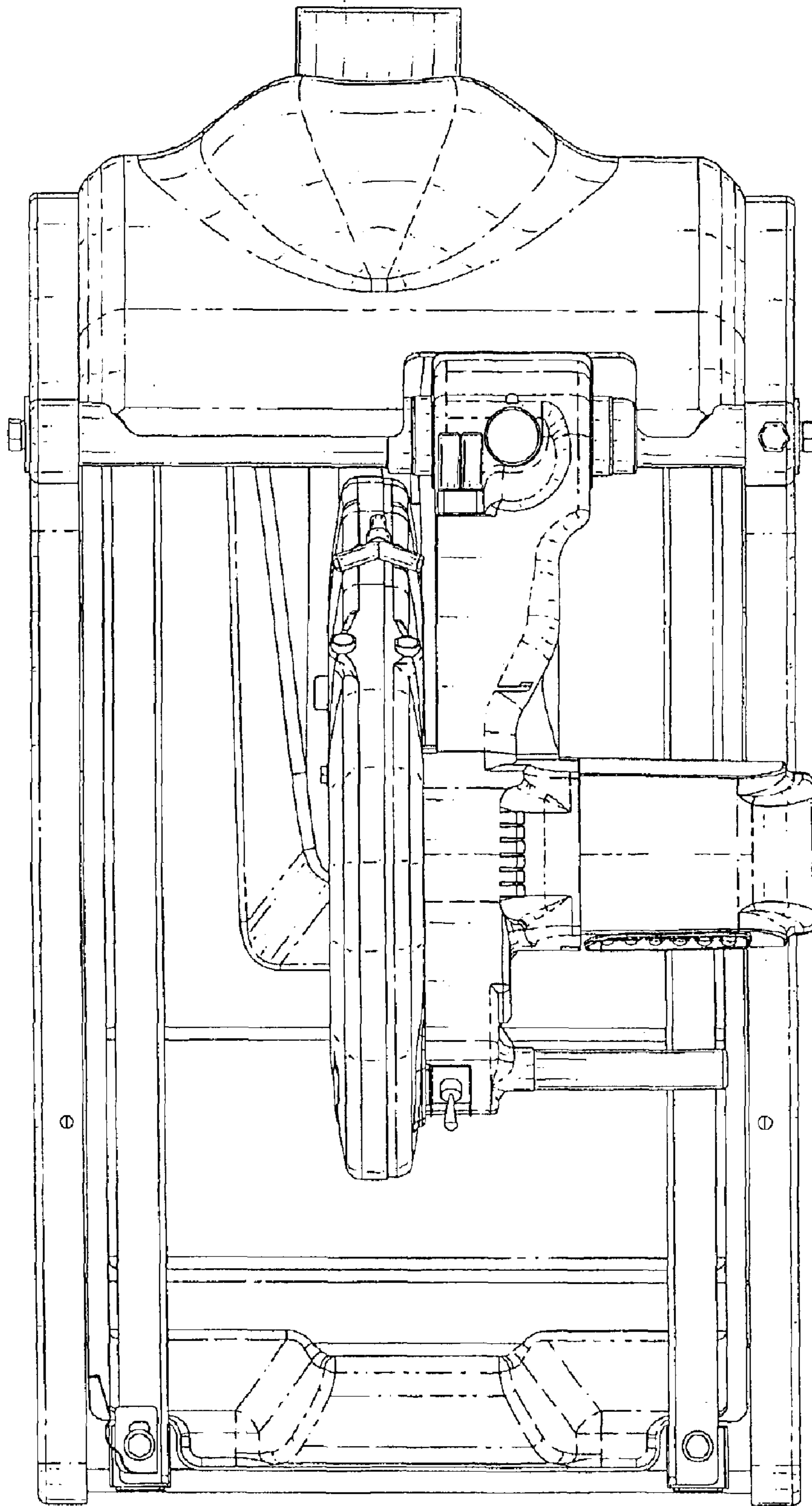


FIG. 6

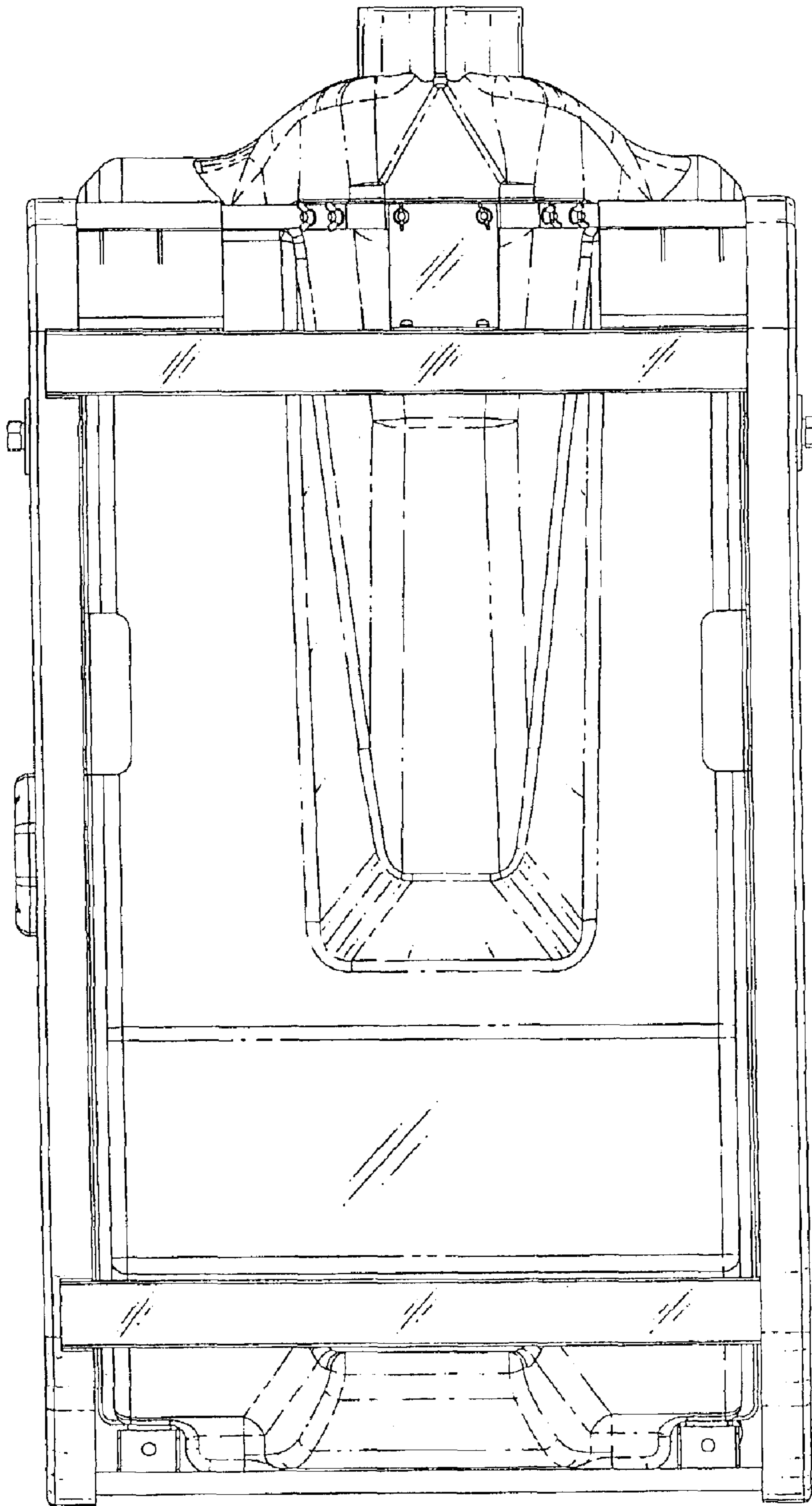


FIG. 7