

US00D507795S

(12) **United States Design Patent** (10) **Patent No.:** **US D507,795 S**
Yamada et al. (45) **Date of Patent:** **** Jul. 26, 2005**

(54) **IC MEMORY CARD**
 (75) Inventors: **Hiroyuki Yamada**, Hirakata (JP);
Yutaka Nakamura, Kyoto (JP);
Hiroyuki Sakamoto, Oume (JP); **Hem**
Takiar, Fremont, CA (US); **Robert**
Miller, San Jose, CA (US)

D445,111 S 7/2001 Okamoto et al.
 D446,525 S 8/2001 Okamoto et al.
 D452,243 S * 12/2001 Wallace D14/436
 D453,934 S * 2/2002 Wallace et al. D14/436
 D457,887 S * 5/2002 Kadonaga D14/436
 D467,586 S * 12/2002 Shimoda et al. D14/436
 D475,056 S 5/2003 Taniguchi et al.
 D476,011 S 6/2003 Taniguchi et al.

(73) Assignees: **Matsushita Electric Industrial Co.,**
Ltd., Osaka (JP); **Kabushiki Kaisha**
Toshiba, Tokyo (JP); **SanDisk**
Corporation, Sunnyvale, CA (US)

FOREIGN PATENT DOCUMENTS

JP 1085565 9/2000

* cited by examiner

(**) Term: **14 Years**

Primary Examiner—M. H. Tung

(21) Appl. No.: **29/208,239**

(74) *Attorney, Agent, or Firm*—Brinks Hofer Gilson & Lione

(22) Filed: **Jun. 24, 2004**

(57) **CLAIM**

The ornamental design for an IC memory card, as shown and described.

Related U.S. Application Data

DESCRIPTION

(62) Division of application No. 29/169,130, filed on Oct. 15, 2002.

(51) **LOC (8) Cl.** **14-02**

(52) **U.S. Cl.** **D14/436**

(58) **Field of Search** D14/435-8, 478-80;
361/736-7, 686, 752; 257/678-9; 40/124.01;
283/75-6, 901; 235/487-95, 441-3, 375;
439/135, 140, 76.1; D8/347

FIG. 1 is a perspective view of an IC memory card showing our new design;
FIG. 2 is a front elevation view thereof;
FIG. 3 is a rear elevation view thereof;
FIG. 4 is a left side view thereof;
FIG. 5 is a right side view thereof;
FIG. 6 is a top view thereof; and,
FIG. 7 is a bottom view thereof.

(56) **References Cited**

The broken line drawings in FIGS. 1 and 2 are for illustrative purposes only and form no part of the claimed design.

U.S. PATENT DOCUMENTS

D444,473 S 7/2001 Okamoto et al.

1 Claim, 7 Drawing Sheets

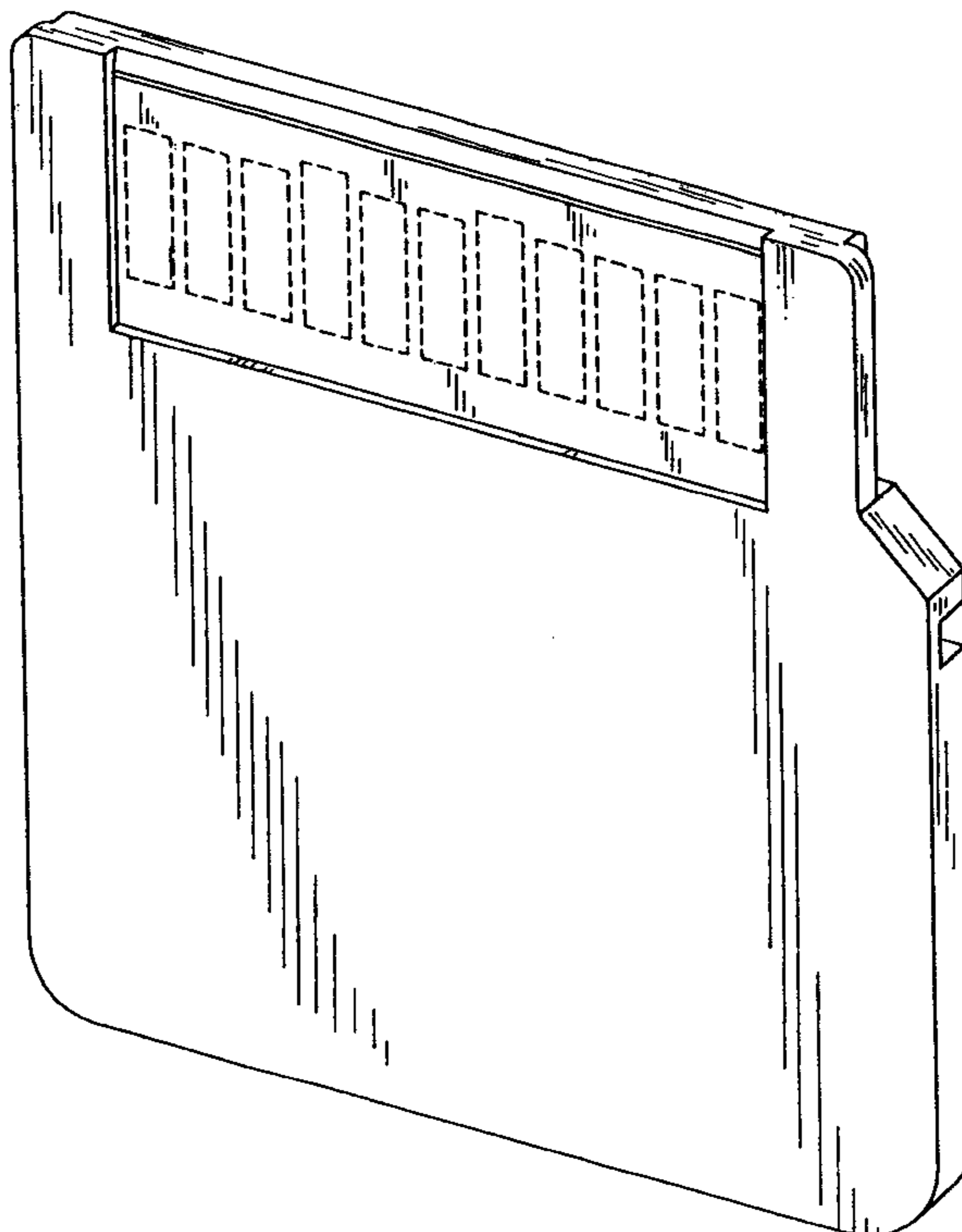


Fig. 1

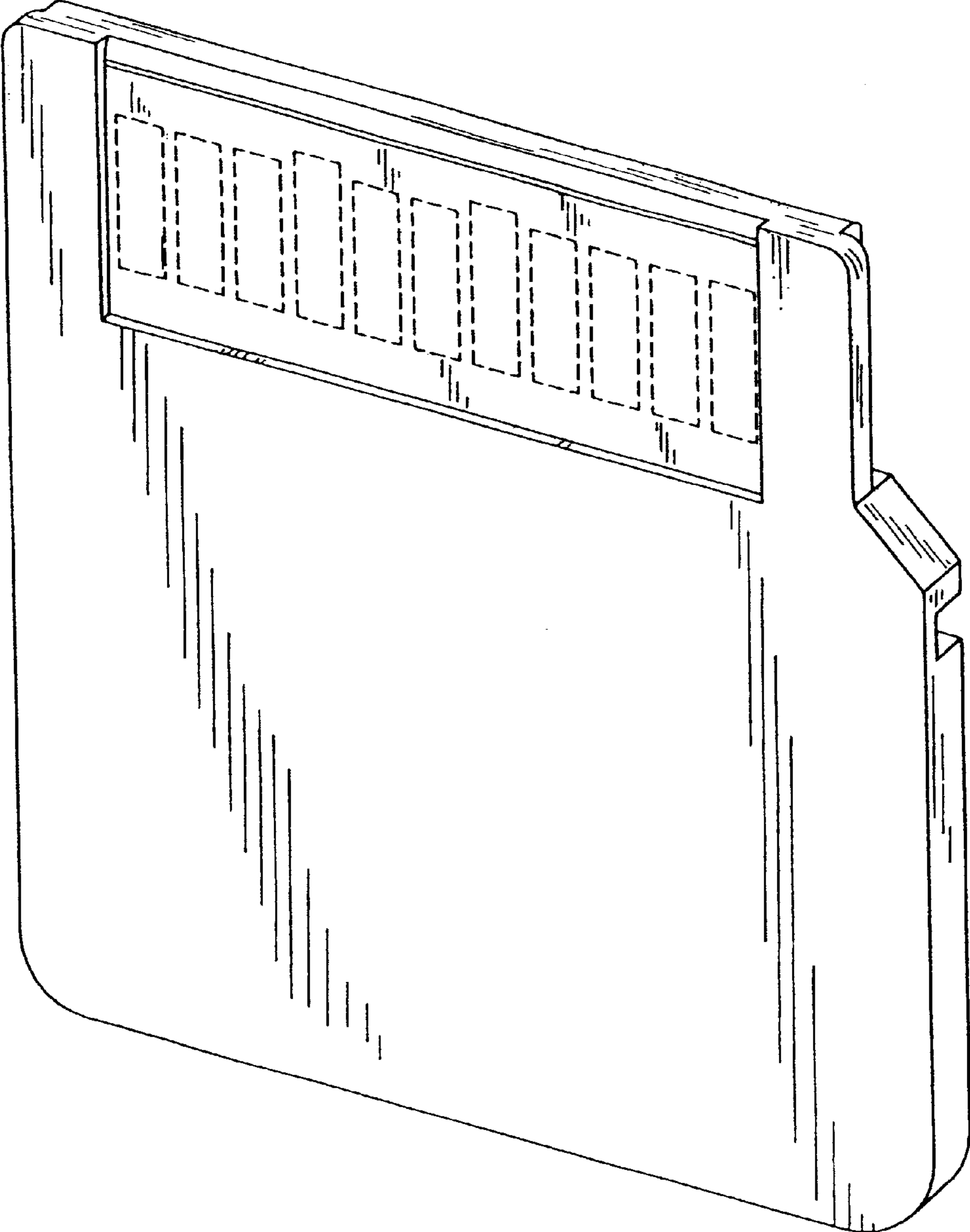


Fig. 2

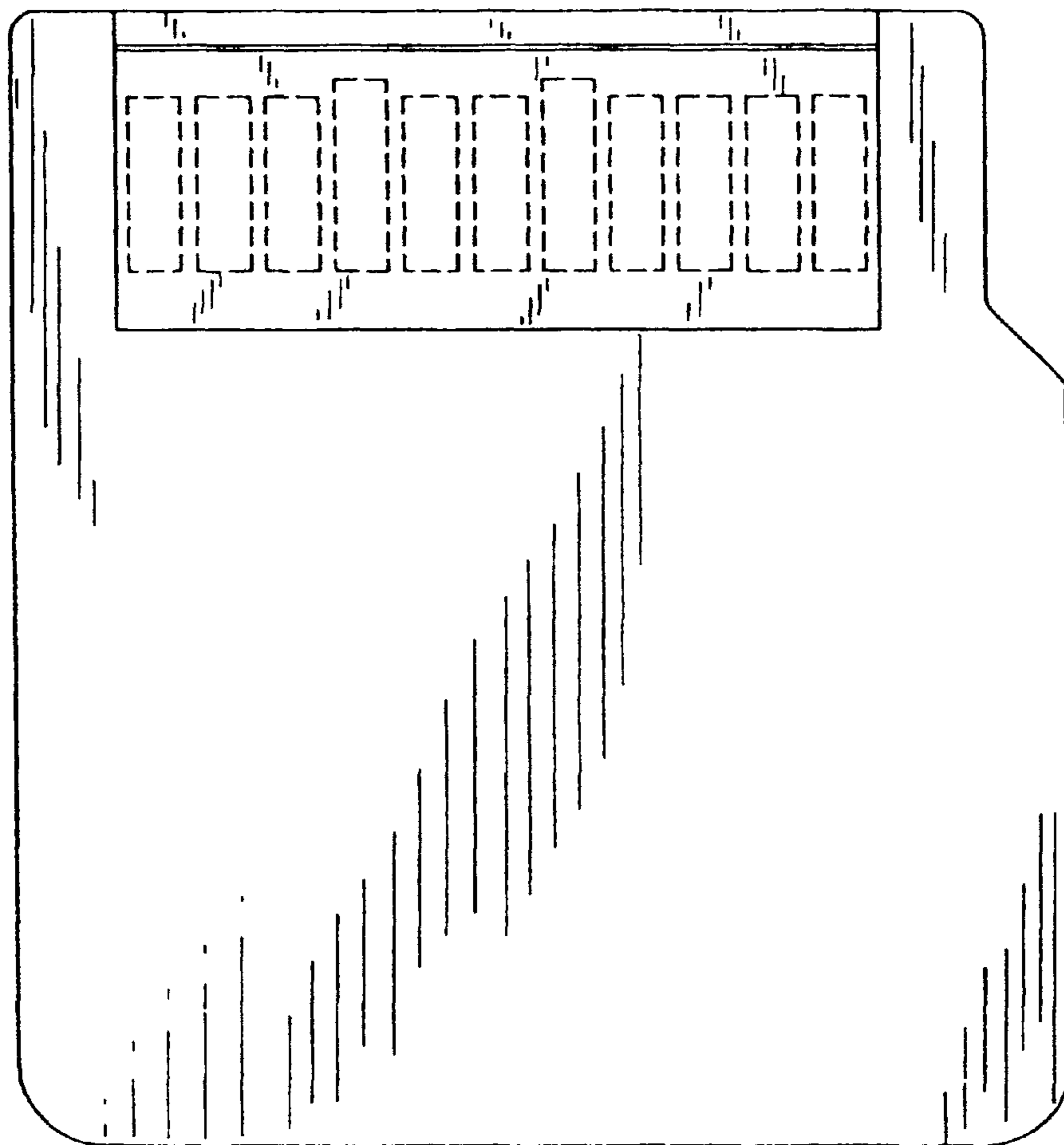


Fig. 3

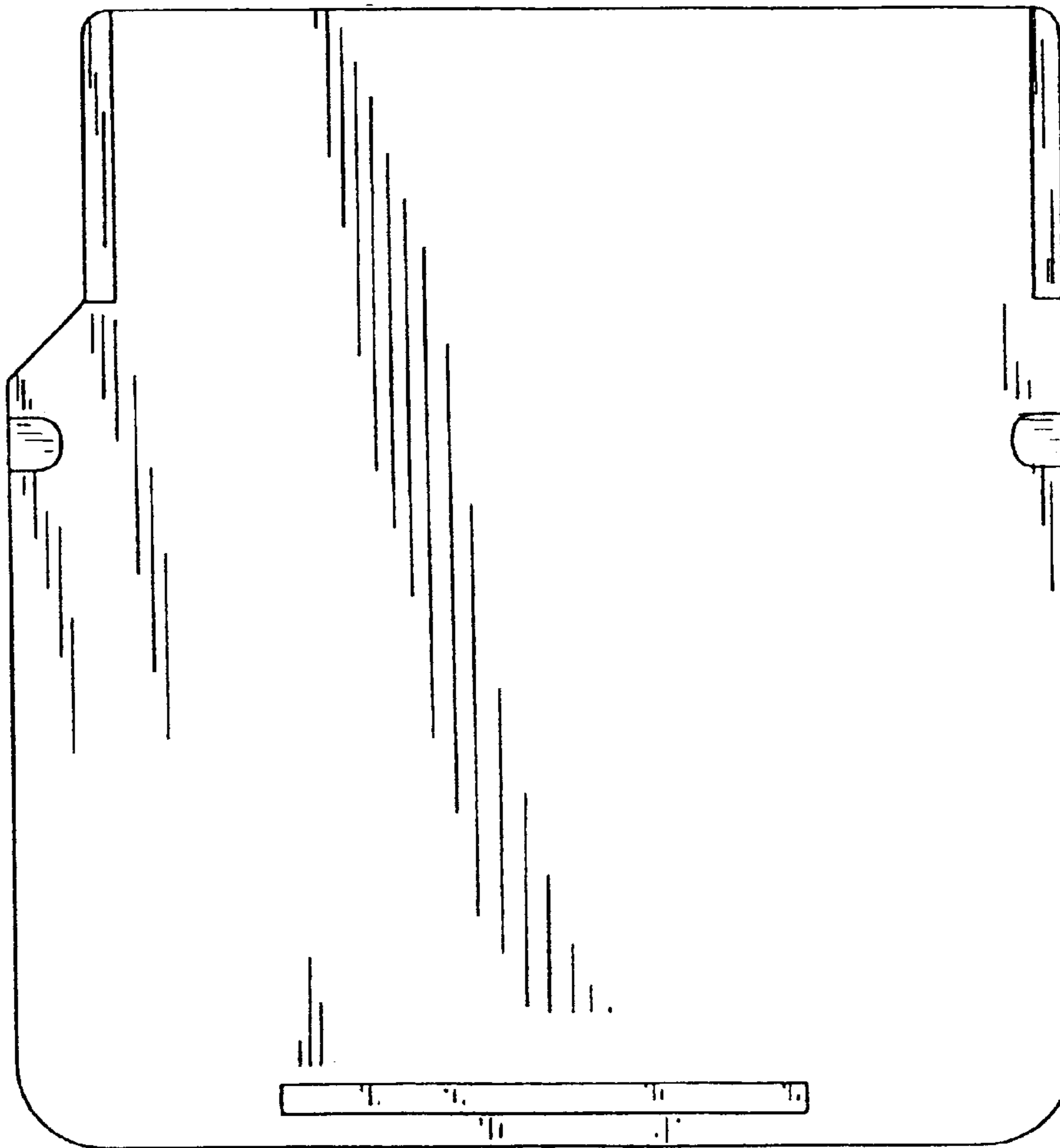


Fig. 4



Fig. 5

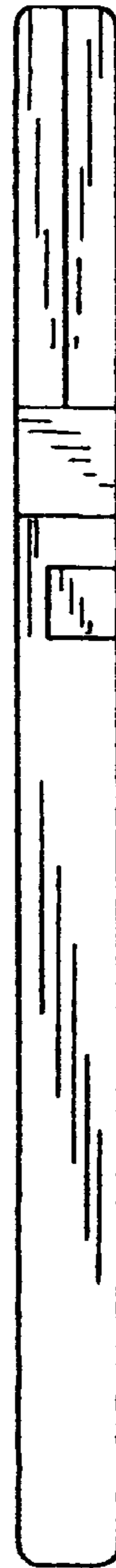


Fig. 6

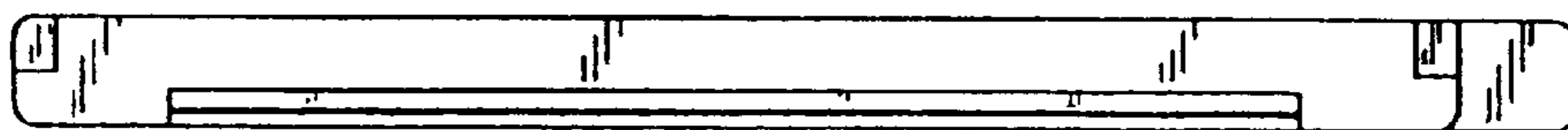


Fig. 7



UNITED STATES PATENT AND TRADEMARK OFFICE
CERTIFICATE OF CORRECTION

PATENT NO. : Des. 507,795 S
APPLICATION NO. : 29/208239
DATED : July 26, 2007
INVENTOR(S) : Yamada et al.

Page 1 of 9

It is certified that error appears in the above-identified patent and that said Letters Patent is hereby corrected as shown below:

THE TITLE PAGE SHOWING ILLUSTRATIVE FIGURE, SHOULD BE DELETED
AND SUBSTITUTE THEREFORE THE ATTACHED TITLE PAGE

DELETE DRAWINGS SHEETS 1-7 AND SUBSTITUTE THEREFORE THE
DRAWINGS SHEETS CONSISTING OF FIGS 1-7 AS SHOWN ON THE
ATTACHED PAGES.

Signed and Sealed this

Seventh Day of August, 2007

A handwritten signature in black ink on a light gray dotted background. The signature reads "Jon W. Dudas" in a cursive style.

JON W. DUDAS

Director of the United States Patent and Trademark Office

(12) **United States Design Patent** (10) Patent No.: **US D507,795 S**
 Yamada et al. (45) Date of Patent: ** Jul. 26, 2005

(54) IC MEMORY CARD

(75) Inventors: Hiroyuki Yamada, Hirakata (JP);
 Yutaka Nakamura, Kyoto (JP);
 Hiroyuki Sakamoto, Oume (JP); Hem
 Taktar, Fremont, CA (US); Robert
 Miller, San Jose, CA (US)

(73) Assignees: Matsushita Electric Industrial Co.,
 Ltd., Osaka (JP); Kabushiki Kaisha
 Toshiba, Tokyo (JP); SanDisk
 Corporation, Sunnyvale, CA (US)

(**) Term: 14 Years

(21) Appl. No.: 29/208,239

(22) Filed: Jun. 24, 2004

Related U.S. Application Data

(62) Division of application No. 29/169,130, filed on Oct. 15,
 2002.

(51) LOC (8) Cl. 14-02

(52) U.S. Cl. D14/436

(58) Field of Search D14/435-8, 478-80;
 361/736-7, 686, 752; 257/678-9; 40/124.01;
 283/75-6, 901; 235/487-95, 441-3, 375;
 439/135, 140, 76.1; D8/347

(56) **References Cited**

U.S. PATENT DOCUMENTS

D444,473 S 7/2001 Okamoto et al.

D445,111 S 7/2001 Okamoto et al.
 D446,525 S 6/2001 Okamoto et al.
 D452,243 S * 12/2001 Wallace D14/436
 D453,934 S * 2/2002 Wallace et al. D14/436
 D457,887 S * 5/2002 Kadonaga D14/436
 D467,586 S * 12/2002 Shimada et al. D14/436
 D475,056 S 5/2003 Tsuniguchi et al.
 D476,011 S 6/2003 Tsuniguchi et al.

FOREIGN PATENT DOCUMENTS

JP 1085565 9/2000

* cited by examiner

Primary Examiner—M. H. Tung

(74) Attorney, Agent, or Firm—Brinks Hofer Gilson &
 Lyon

(57) **CLAIM**

The ornamental design for an IC memory card, as shown and
 described.

DESCRIPTION

FIG. 1 is a perspective view of an IC memory card showing
 our new design;
 FIG. 2 is a front elevation view thereof;
 FIG. 3 is a rear elevation view thereof;
 FIG. 4 is a left side view thereof;
 FIG. 5 is a right side view thereof;
 FIG. 6 is a top view thereof; and,
 FIG. 7 is a bottom view thereof.

The broken line drawings in FIGS. 1 and 2 are for illustrative
 purposes only and form no part of the claimed design.

1 Claim, 7 Drawing Sheets

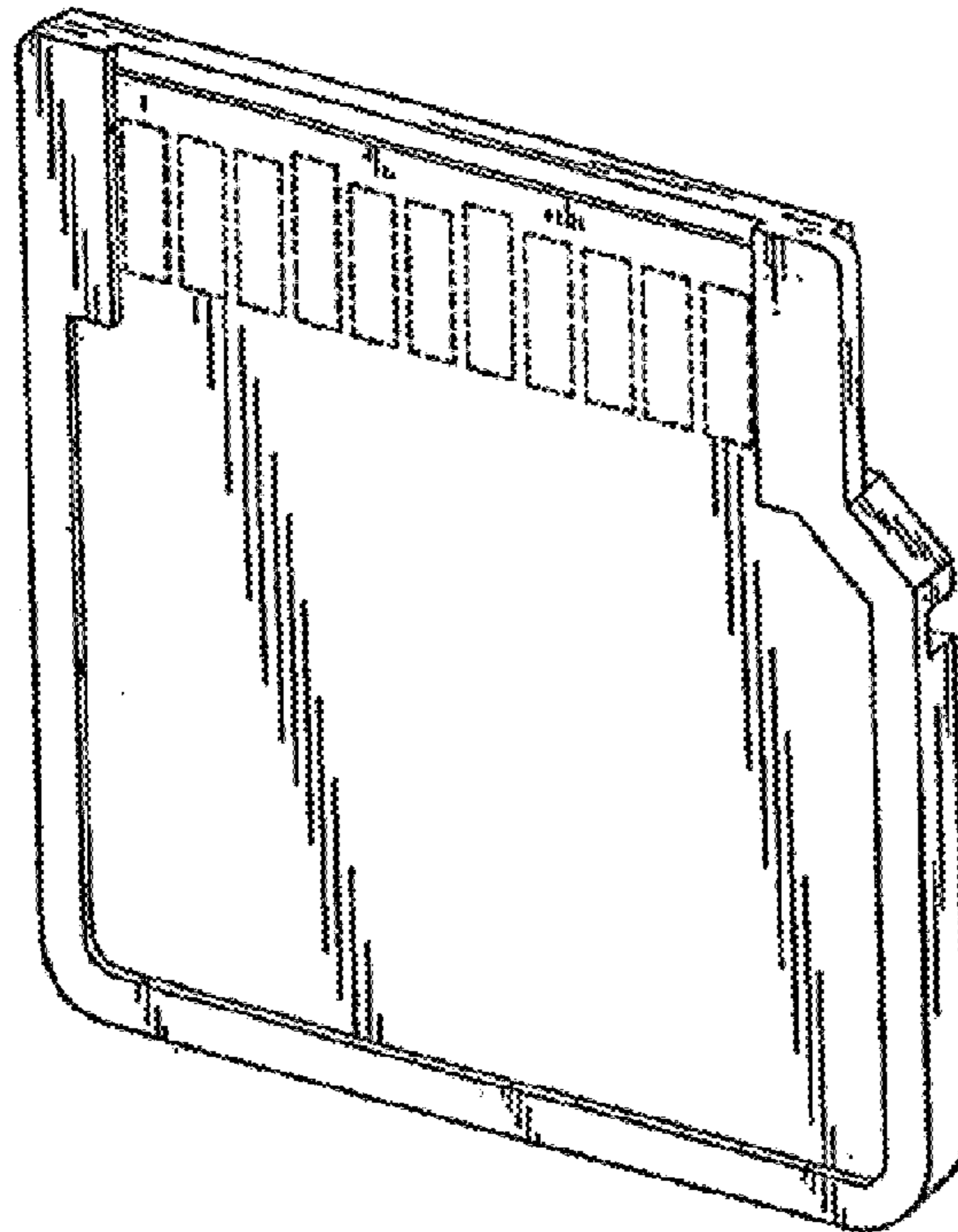


FIG. 1

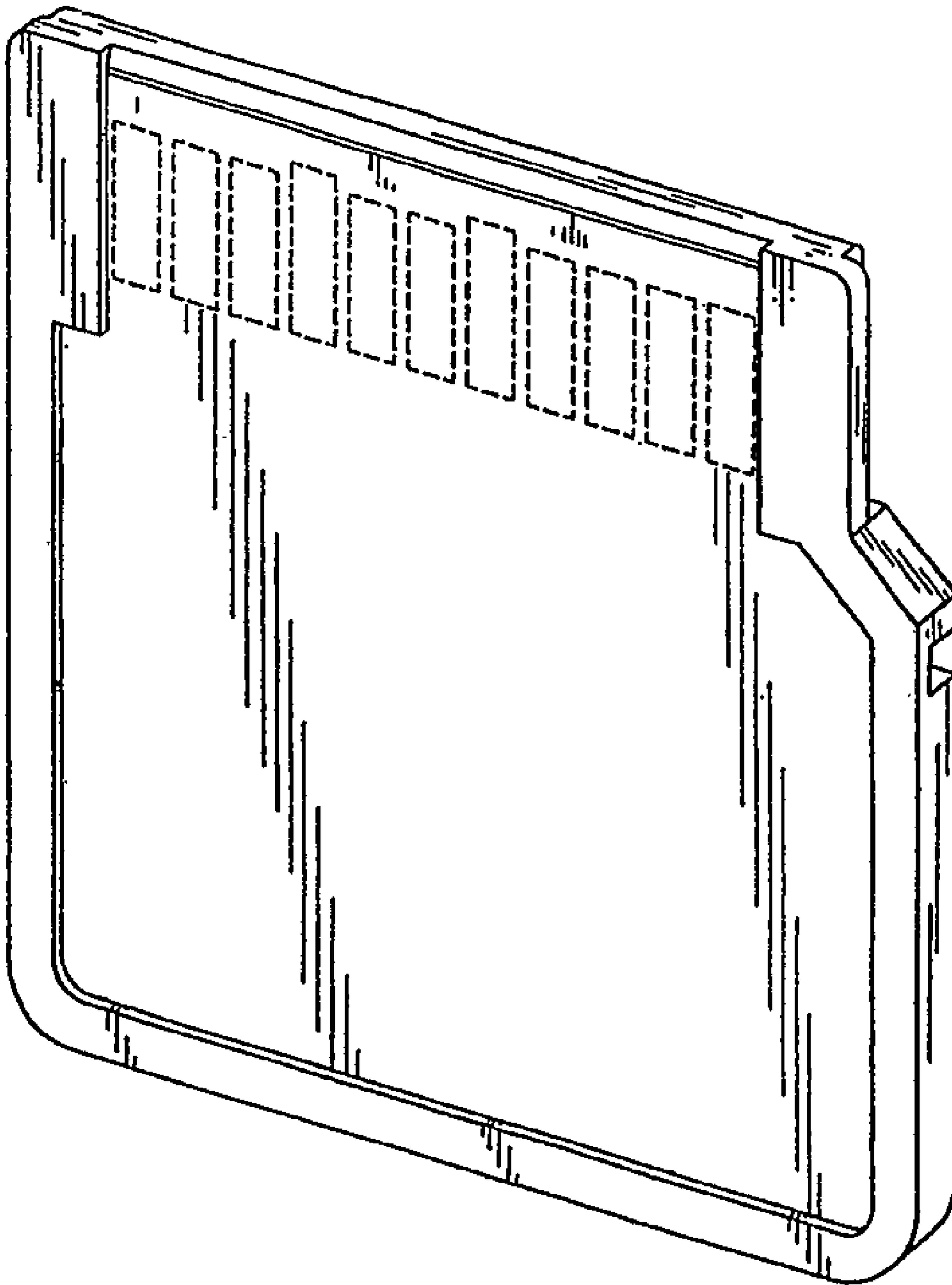


FIG. 2

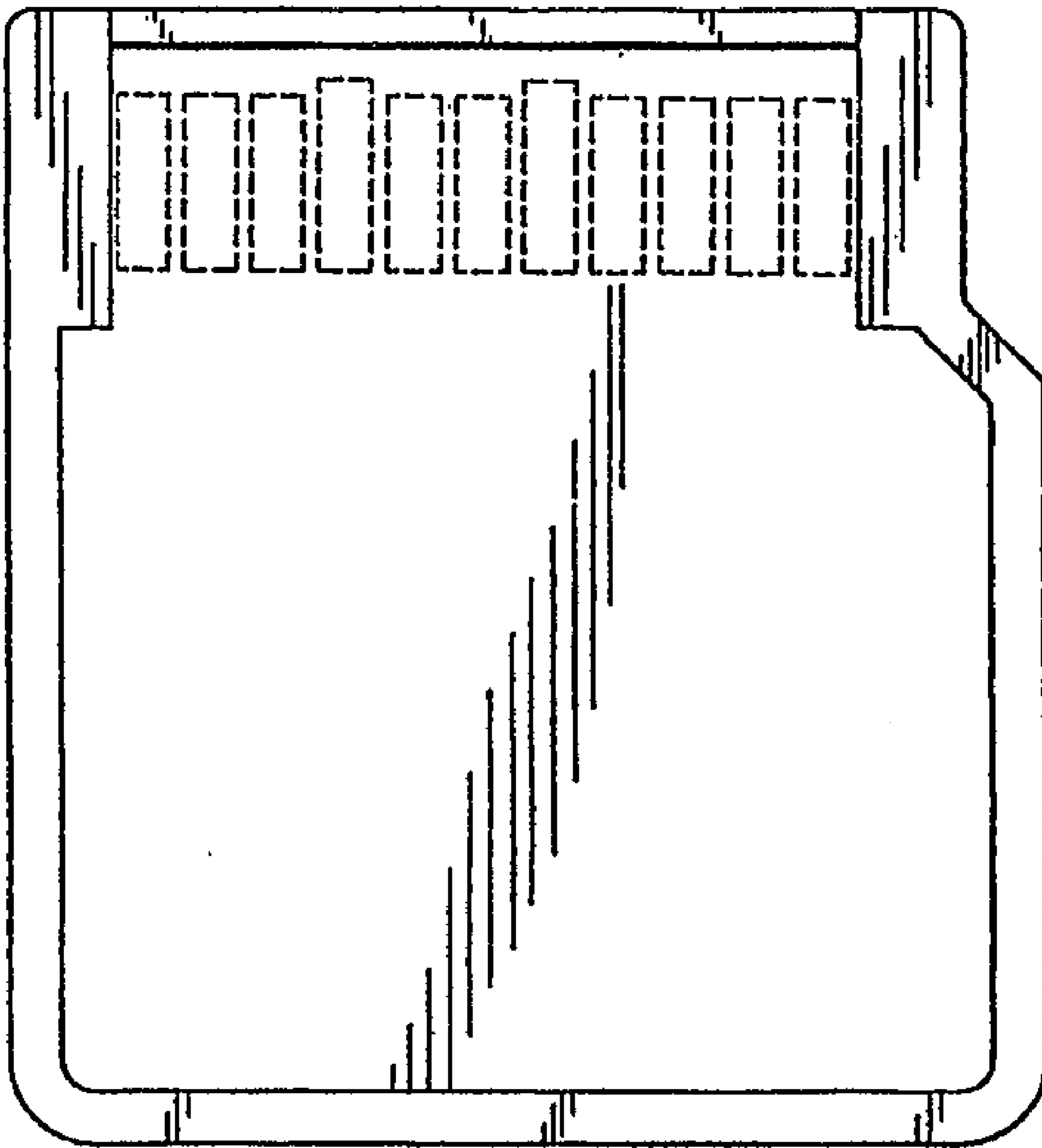


FIG. 3

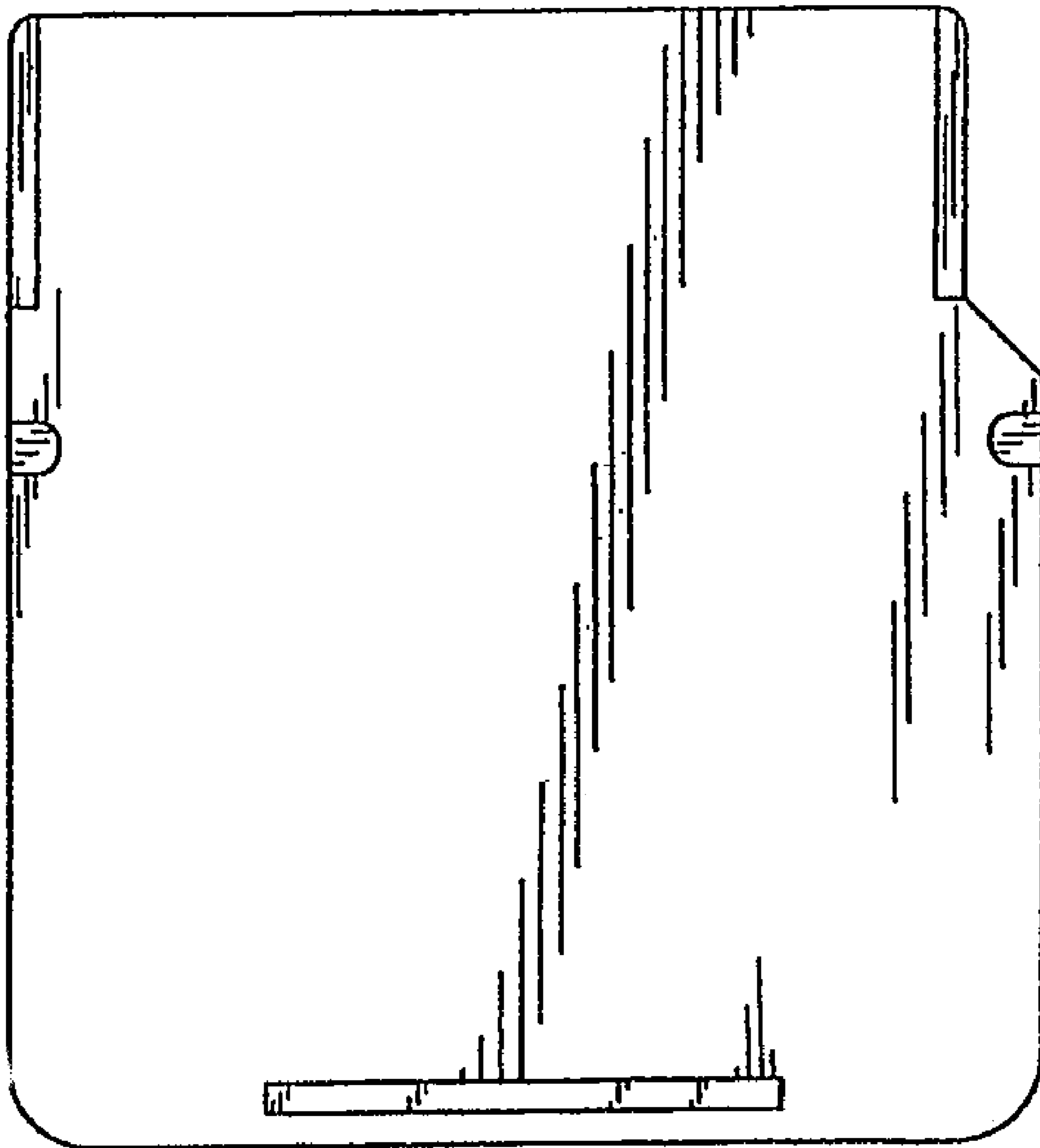


FIG. 4



FIG. 5



FIG. 6

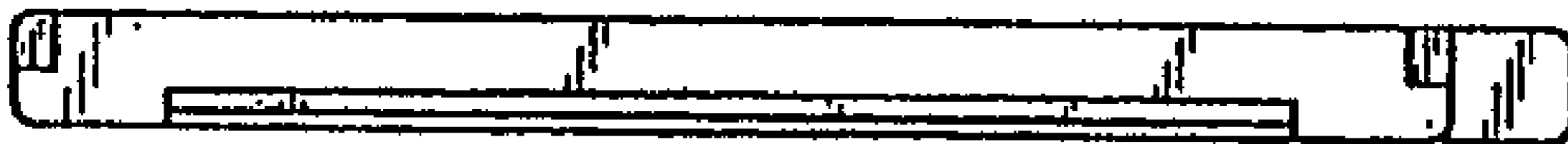
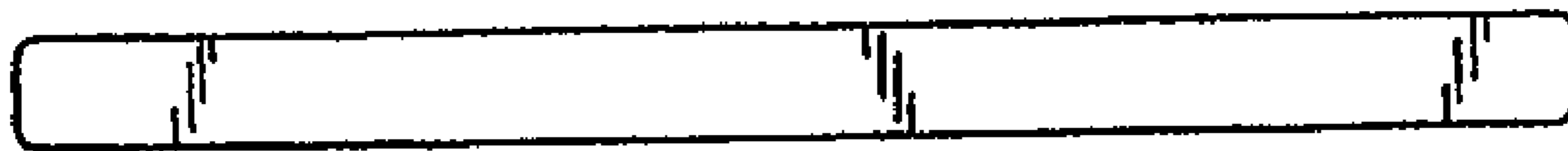


FIG. 7



UNITED STATES PATENT AND TRADEMARK OFFICE
CERTIFICATE OF CORRECTION

PATENT NO. : Des. 507,795 S
APPLICATION NO. : 29/208239
DATED : July 26, 2005
INVENTOR(S) : Yamada et al.

Page 1 of 9

It is certified that error appears in the above-identified patent and that said Letters Patent is hereby corrected as shown below:

THE TITLE PAGE SHOWING ILLUSTRATIVE FIGURE SHOULD BE DELETED AND SUBSTITUTE THEREFORE THE ATTACHED TITLE PAGE.

DELETE DRAWINGS SHEETS 1-7 AND SUBSTITUTE THEREFORE THE DRAWINGS SHEETS CONSISTING OF FIGS 1-7 AS SHOWN ON THE ATTACHED PAGES.

This certificate supersedes Certificate of Correction issued August 7, 2007.

Signed and Sealed this

Twenty-eighth Day of August, 2007

A handwritten signature in black ink on a light gray dotted background. The signature reads "Jon W. Dudas" in a cursive style.

JON W. DUDAS

Director of the United States Patent and Trademark Office

(12) **United States Design Patent** (10) Patent No.: **US D507,795 S**
 Yamada et al. (45) Date of Patent: ** Jul. 26, 2005

(54) IC MEMORY CARD

(75) Inventors: Hiroyuki Yamada, Hirakata (JP);
 Yutaka Nakamura, Kyoto (JP);
 Hiroyuki Sakamoto, Oume (JP); Hem
 Taktar, Fremont, CA (US); Robert
 Miller, San Jose, CA (US)

(73) Assignees: Matsushita Electric Industrial Co.,
 Ltd., Osaka (JP); Kabushiki Kaisha
 Toshiba, Tokyo (JP); SanDisk
 Corporation, Sunnyvale, CA (US)

(**) Term: 14 Years

(21) Appl. No.: 29/208,239

(22) Filed: Jun. 24, 2004

Related U.S. Application Data

(62) Division of application No. 29/169,130, filed on Oct. 15,
 2002.

(51) LOC (8) Cl. 14-02

(52) U.S. Cl. D14/436

(58) Field of Search D14/435-8, 478-80;
 361/736-7, 686, 752; 257/678-9; 40/124.01;
 283/75-6, 901; 235/487-95, 441-3, 375;
 439/135, 140, 76.1; D8/347

(56) **References Cited**

U.S. PATENT DOCUMENTS

D444,473 S 7/2001 Okamoto et al.

D445,111 S 7/2001 Okamoto et al.
 D446,525 S 6/2001 Okamoto et al.
 D452,243 S * 12/2001 Wallace D14/436
 D453,934 S * 2/2002 Wallace et al. D14/436
 D457,887 S * 5/2002 Kadonaga D14/436
 D467,586 S * 12/2002 Shimada et al. D14/436
 D475,056 S 5/2003 Tsuniguchi et al.
 D476,011 S 6/2003 Tsuniguchi et al.

FOREIGN PATENT DOCUMENTS

JP 1085565 9/2000

* cited by examiner

Primary Examiner—M. H. Tung

(74) Attorney, Agent, or Firm—Brinks Hofer Gilson &
 Lyon

(57) **CLAIM**

The ornamental design for an IC memory card, as shown and
 described.

DESCRIPTION

FIG. 1 is a perspective view of an IC memory card showing
 our new design;
 FIG. 2 is a front elevation view thereof;
 FIG. 3 is a rear elevation view thereof;
 FIG. 4 is a left side view thereof;
 FIG. 5 is a right side view thereof;
 FIG. 6 is a top view thereof; and,
 FIG. 7 is a bottom view thereof.

The broken line drawings in FIGS. 1 and 2 are for illustrative
 purposes only and form no part of the claimed design.

1 Claim, 7 Drawing Sheets

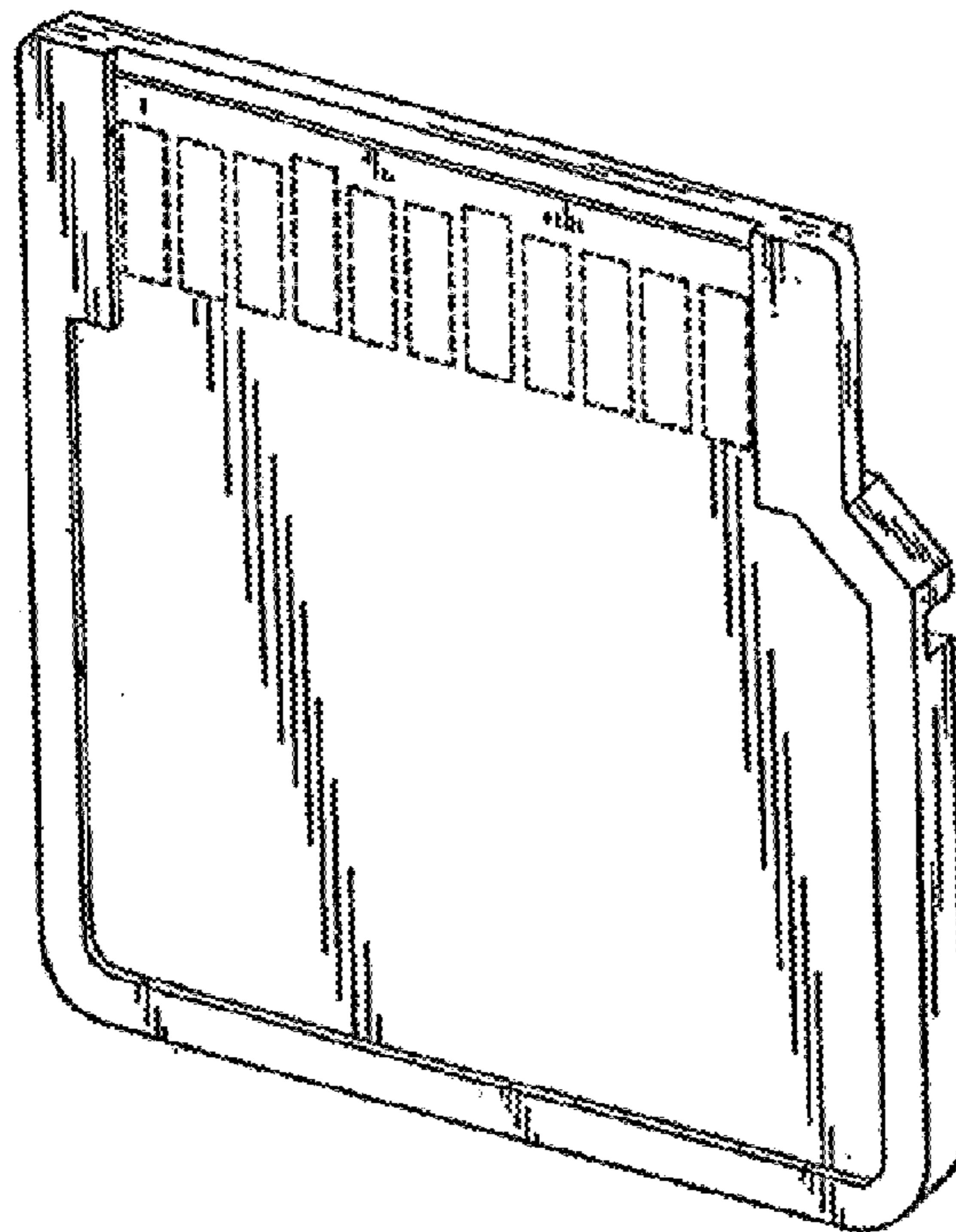


FIG. 1

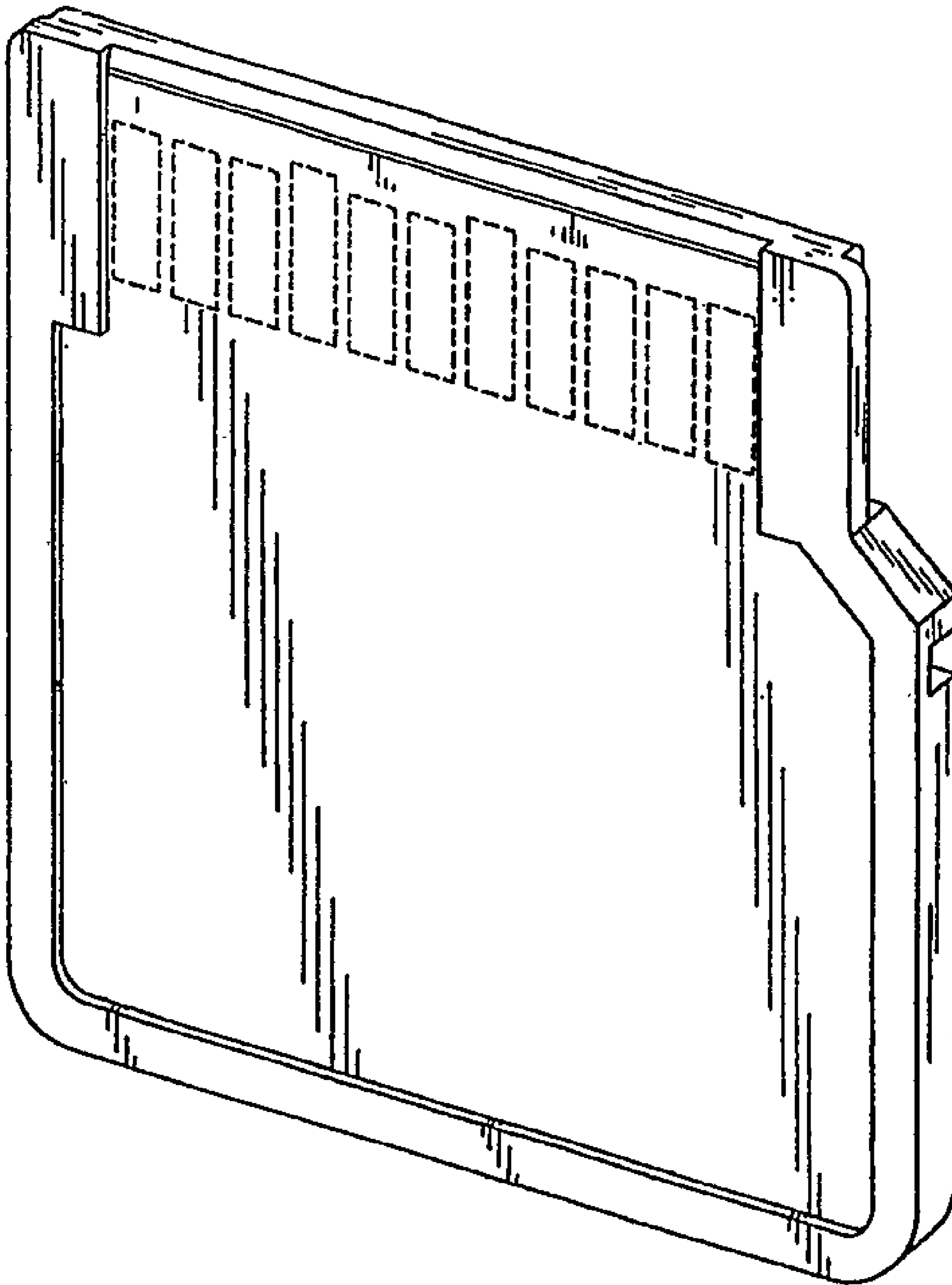


FIG. 2

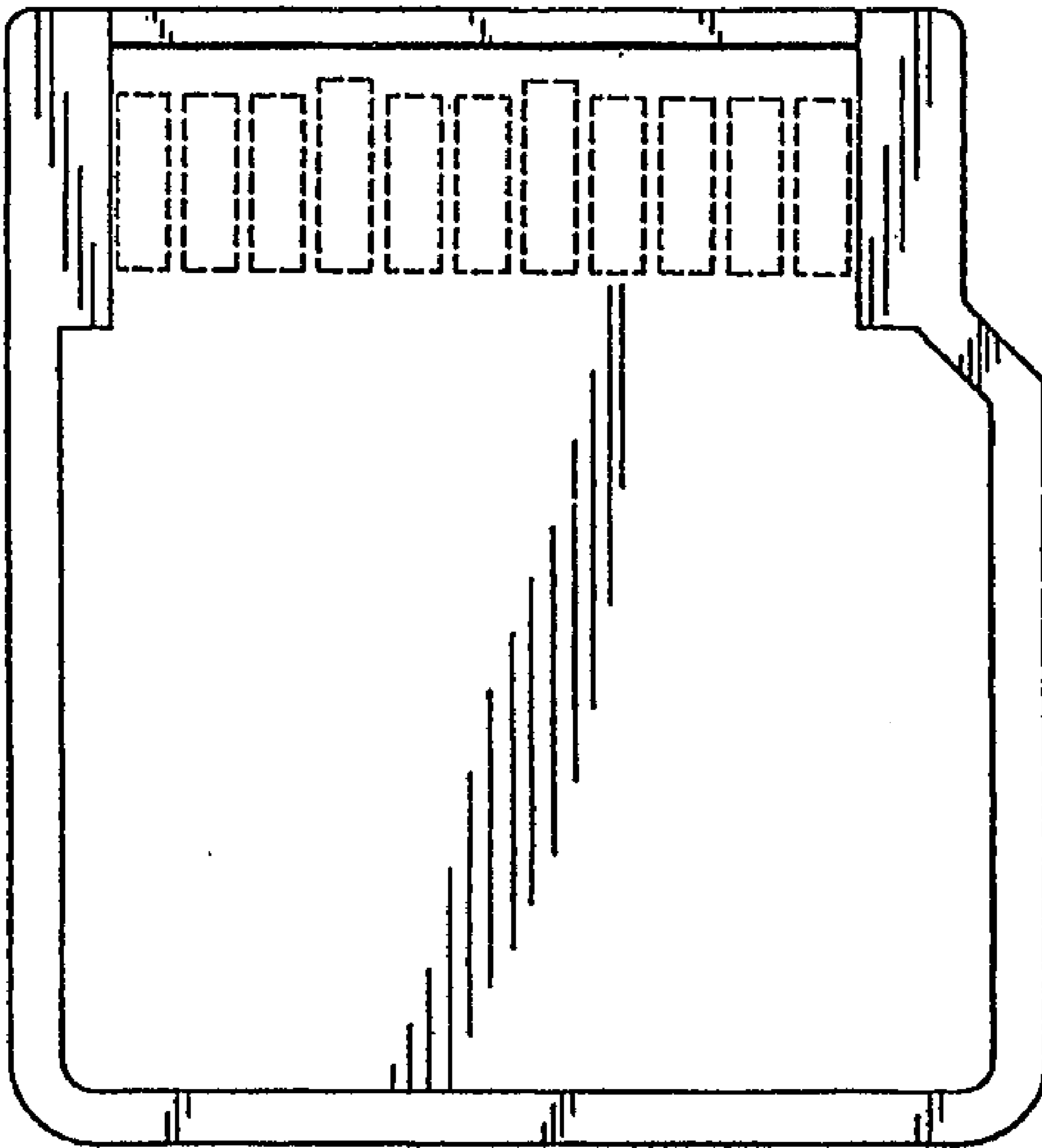


FIG. 3

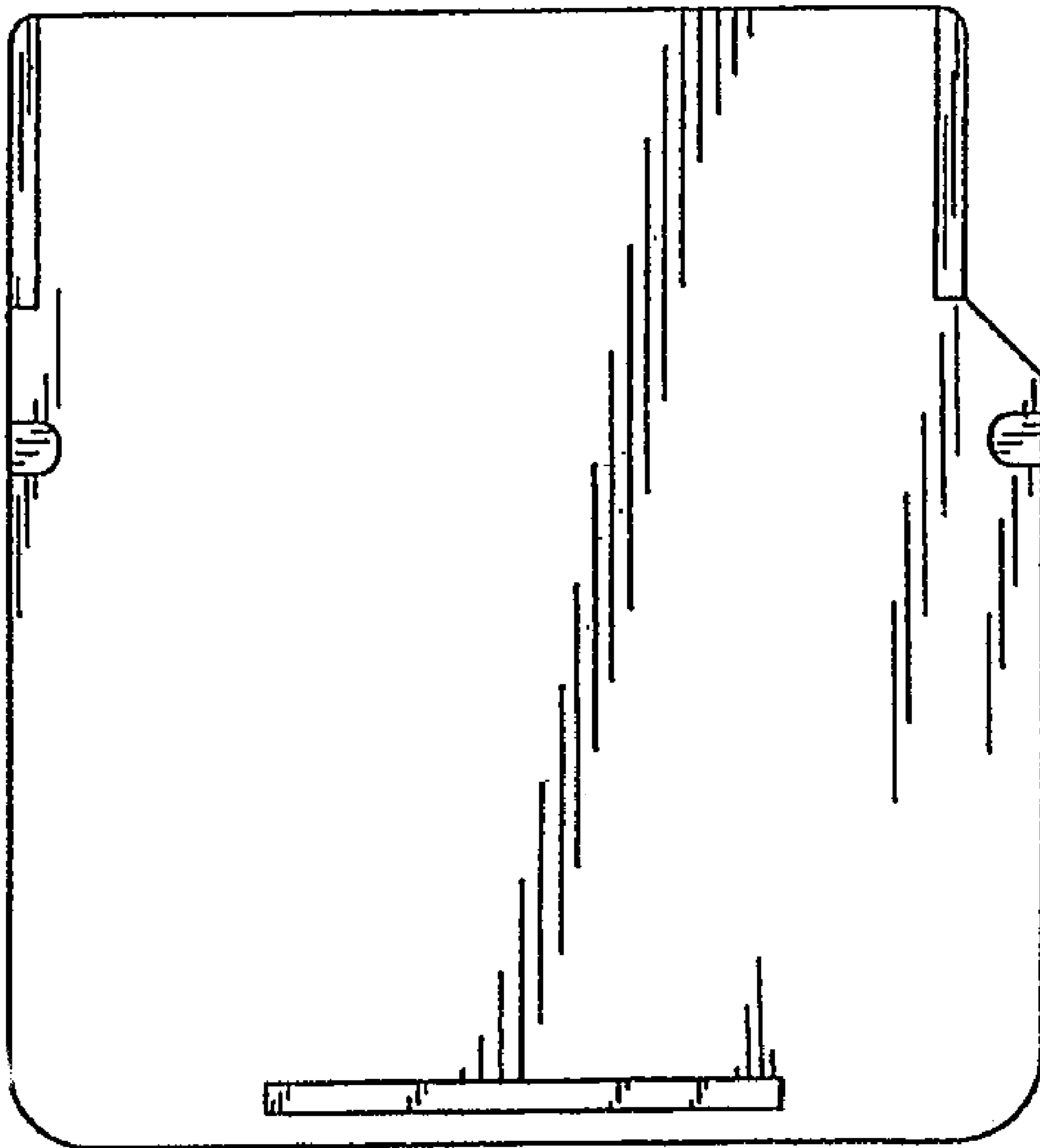


FIG. 4



FIG. 5



FIG. 6

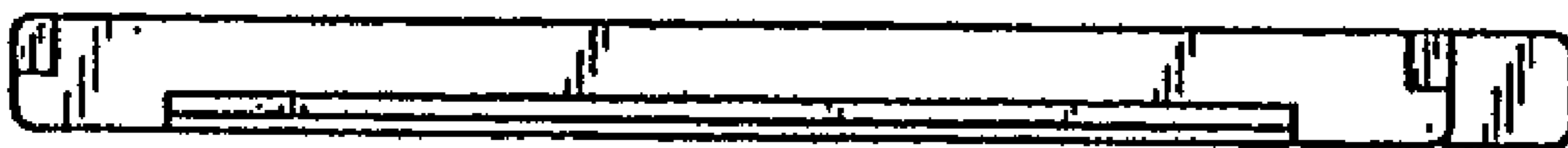


FIG. 7

