

US00D507791S

(12) **United States Design Patent** (10) **Patent No.:** **US D507,791 S**  
**Quilling, II** (45) **Date of Patent:** **\*\* Jul. 26, 2005**

- (54) **ISO/DIN AUTO STEREO MOUNTING DEVICE WITH POCKET**
- (75) Inventor: **R. Spencer Quilling, II**, Deland, FL (US)
- (73) Assignee: **Metra Electronics Corporation**, Holly Hill, FL (US)
- (\*\*) Term: **14 Years**
- (21) Appl. No.: **29/208,951**
- (22) Filed: **Jul. 9, 2004**
- (51) **LOC (8) Cl.** ..... **14-01**
- (52) **U.S. Cl.** ..... **D14/224; D14/258**
- (58) **Field of Search** ..... D14/204, 217, D14/224, 229, 258; D12/223; 248/27.1, 27.3, 220.2, 221.3, 221.4, 558; 403/4; 455/345; 361/685

(56) **References Cited**  
**U.S. PATENT DOCUMENTS**

5,106,039 A	4/1992	Gross	
5,467,947 A	11/1995	Quilling, II	
D401,591 S	11/1998	Jones, Jr.	
D418,838 S	1/2000	Jones, Jr.	
D478,903 S	* 8/2003	Metzler	..... D14/257
D481,378 S	10/2003	Quilling, II et al.	
D481,707 S	11/2003	Quilling, II et al.	
D482,023 S	11/2003	Quilling, II et al.	
D482,024 S	11/2003	Quilling, II et al.	
D483,027 S	12/2003	Quilling, II et al.	
D484,495 S	12/2003	Quilling, II et al.	
D485,260 S	1/2004	Quilling, II et al.	
D488,462 S	4/2004	Quilling, II et al.	
D492,287 S	6/2004	Quilling, II	
D492,288 S	6/2004	Quilling, II	
D492,668 S	7/2004	Quilling, II	
D496,028 S	9/2004	Quilling, II	
D496,354 S	* 9/2004	Quilling, II	..... D14/224

**OTHER PUBLICATIONS**

- U.S. Appl. No. 29/208,962, filed Jul. 9, 2004, Quilling.
- U.S. Appl. No. 29/208,963, filed Jul. 9, 2004, Quilling.
- U.S. Appl. No. 29/208,961, filed Jul. 9, 2004, Quilling.

- U.S. Appl. No. 29/208,952, filed Jul. 9, 2004, Quilling.
- U.S. Appl. No. 29/201,506, filed Mar. 17, 2004, Quilling.
- U.S. Appl. No. 29/201,505, filed Mar. 17, 2004, Quilling.
- U.S. Appl. No. 29/201,504, filed Mar. 17, 2004, Quilling.
- U.S. Appl. No. 29/201,507, filed Mar. 17, 2004, Quilling.
- U.S. Appl. No. 29/188,825, filed Aug. 26, 2003, Quilling.
- U.S. Appl. No. 29/188,820, filed Aug. 26, 2003, Quilling.
- U.S. Appl. No. 29/188,823, filed Aug. 26, 2003, Quilling.
- Metra 2001 Autosound Installation Products Catalog, pp. cover, 1-62, published May 2001.
- Metra 2002 Autosound Installation Products Catalog, cover, pp. 6-64, published Oct. 2002.

\* cited by examiner

*Primary Examiner*—Paula A. Greene  
(74) *Attorney, Agent, or Firm*—Fitzpatrick, Cella, Harper & Scinto

(57) **CLAIM**

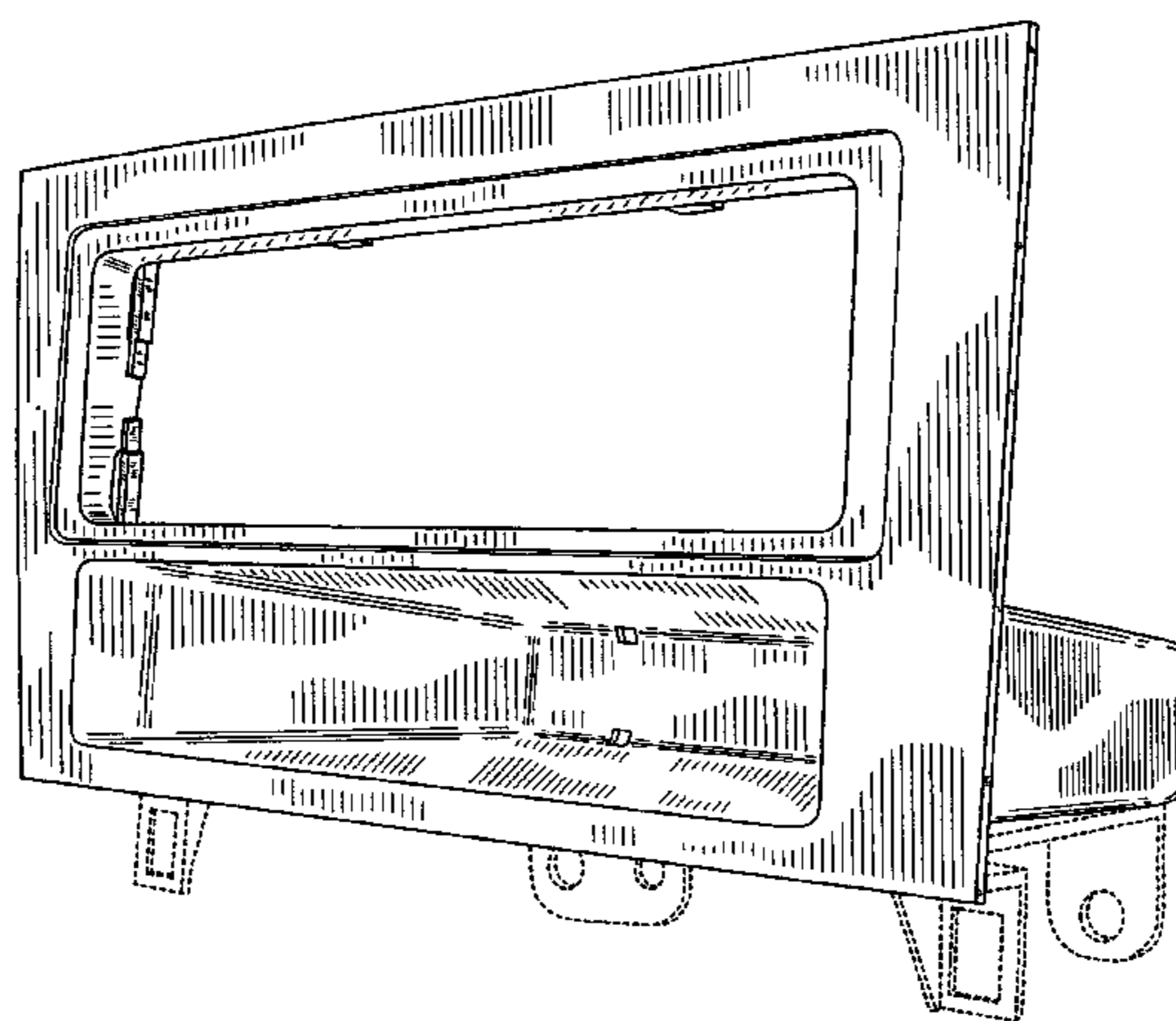
I claim the ornamental design for an ISO/DIN auto stereo mounting device with pocket, as shown and described.

**DESCRIPTION**

FIG. 1 is a right front perspective view of an ISO/DIN auto stereo mounting device with pocket, showing my design;  
 FIG. 2 is a front elevation view of FIG. 1;  
 FIG. 3 is a rear elevation view of FIG. 1;  
 FIG. 4A is a right side elevation view of FIG. 1;  
 FIG. 4B is a right side elevation in cross-section, along line 4B-4B of FIG. 2, to better illustrate certain features of the disclosed design;  
 FIG. 5 is a left side elevation view of FIG. 1;  
 FIG. 6 is a top plan view of FIG. 1; and,  
 FIG. 7 is a bottom plan view of FIG. 1.

The mounting structure shown in dotted line forms no part of the claimed design.

**1 Claim, 8 Drawing Sheets**



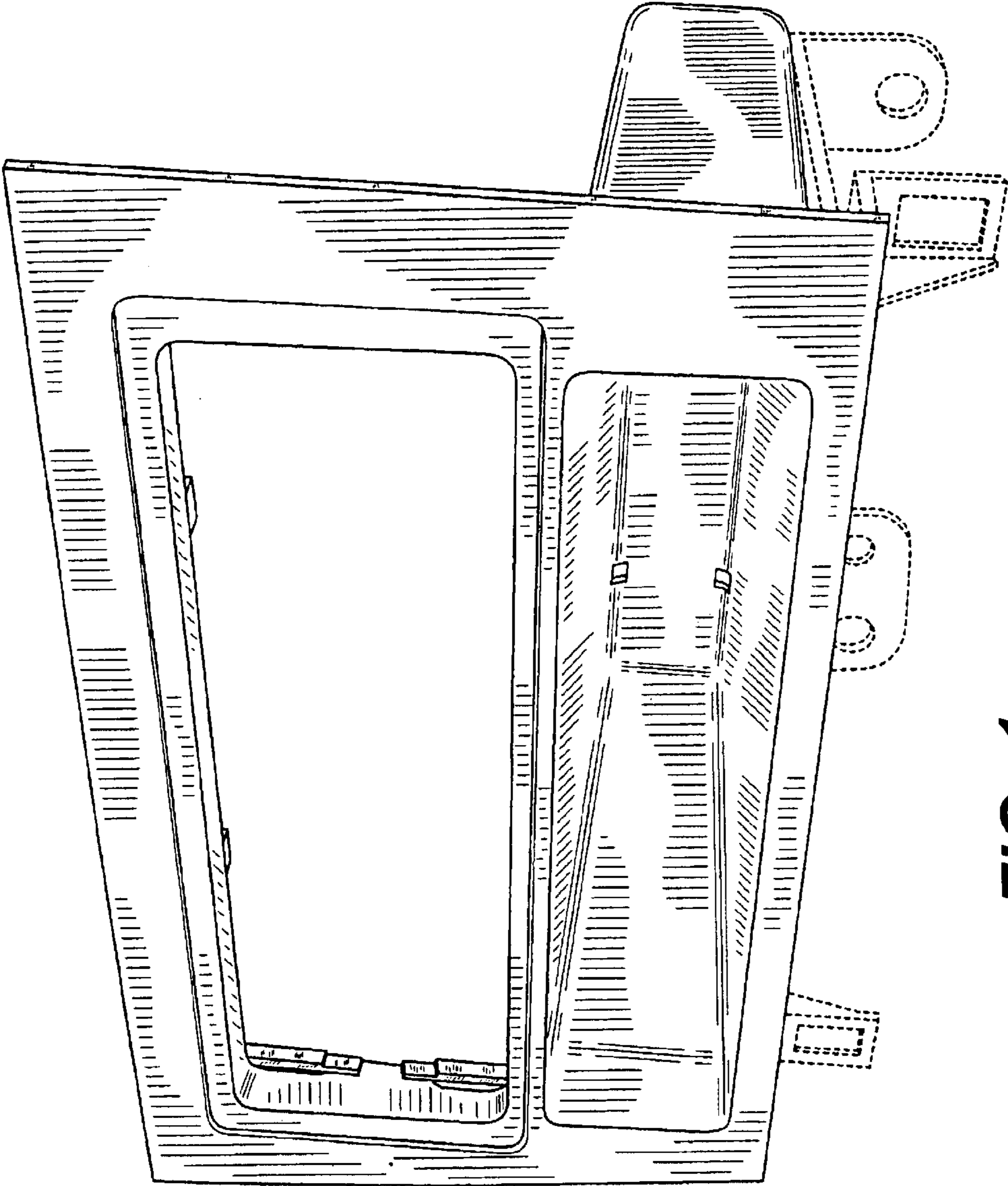


FIG. 1

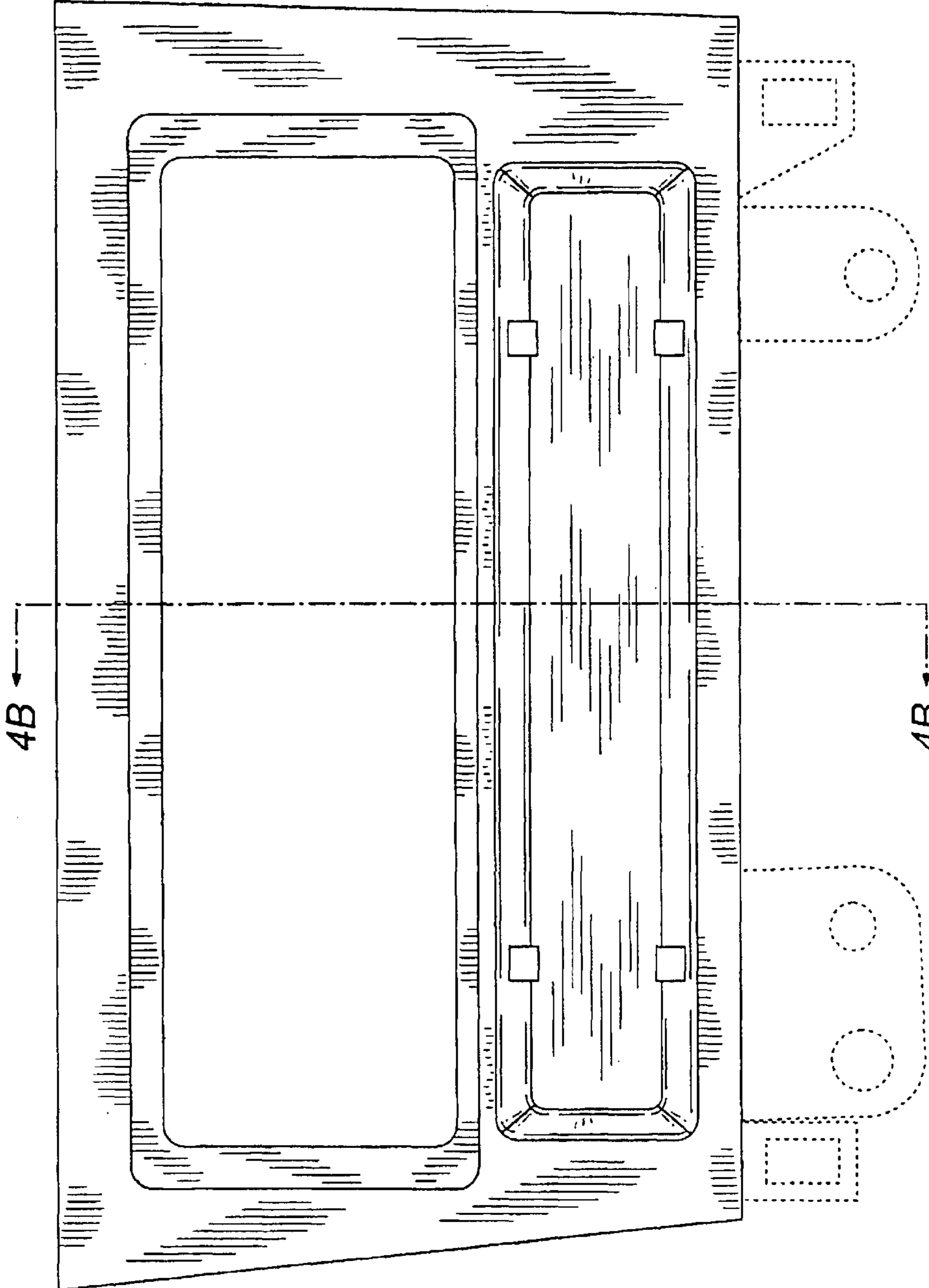
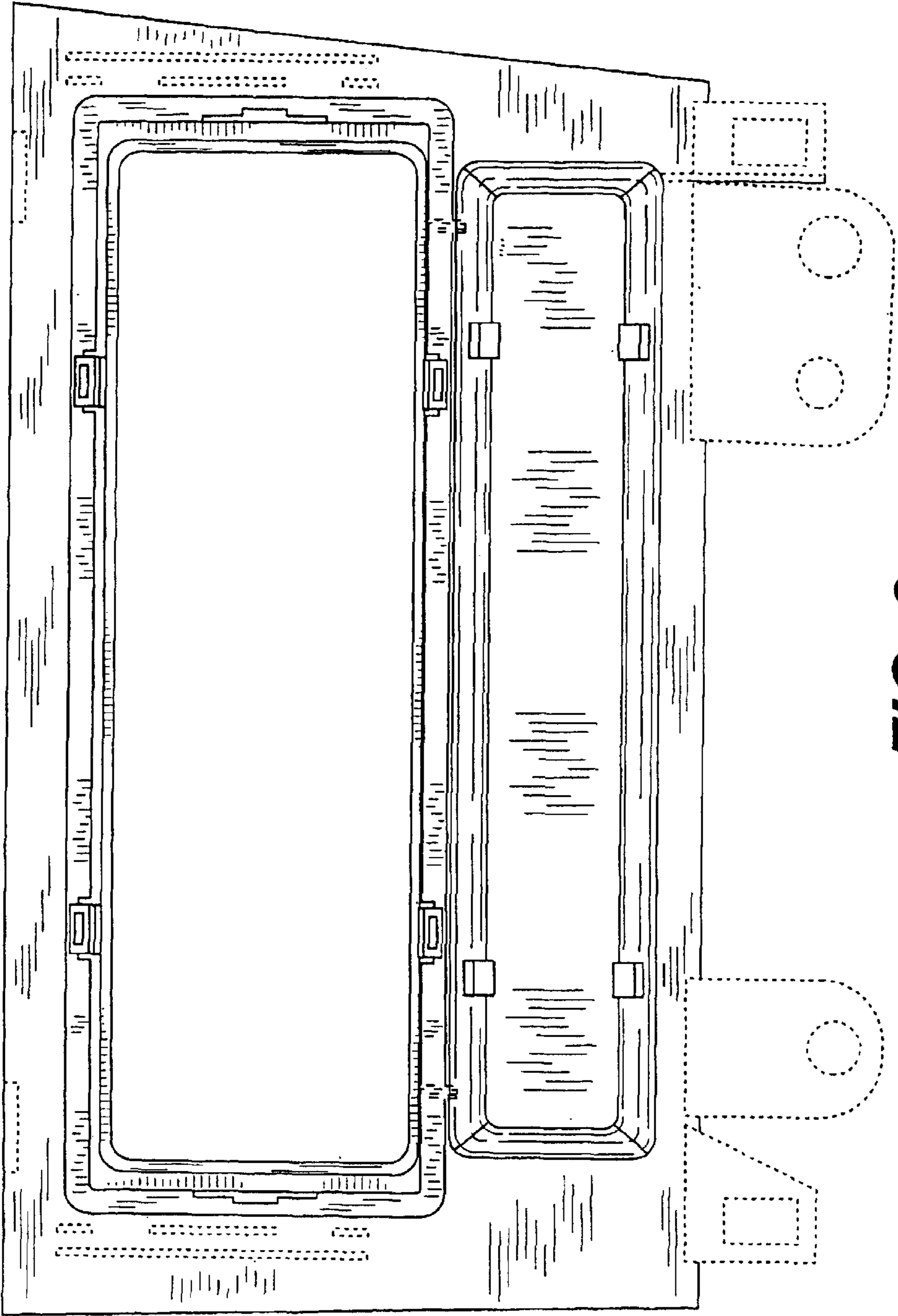
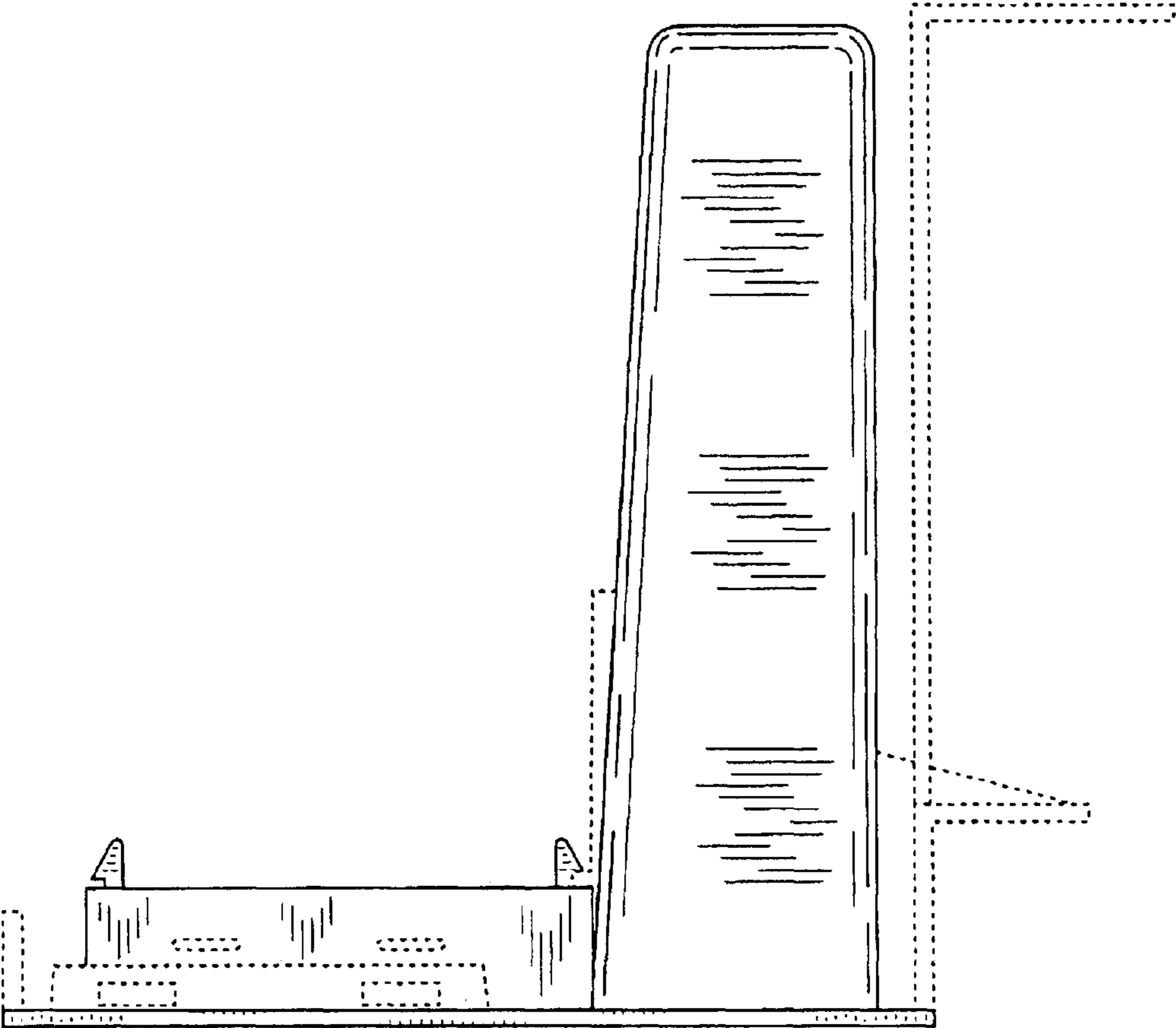


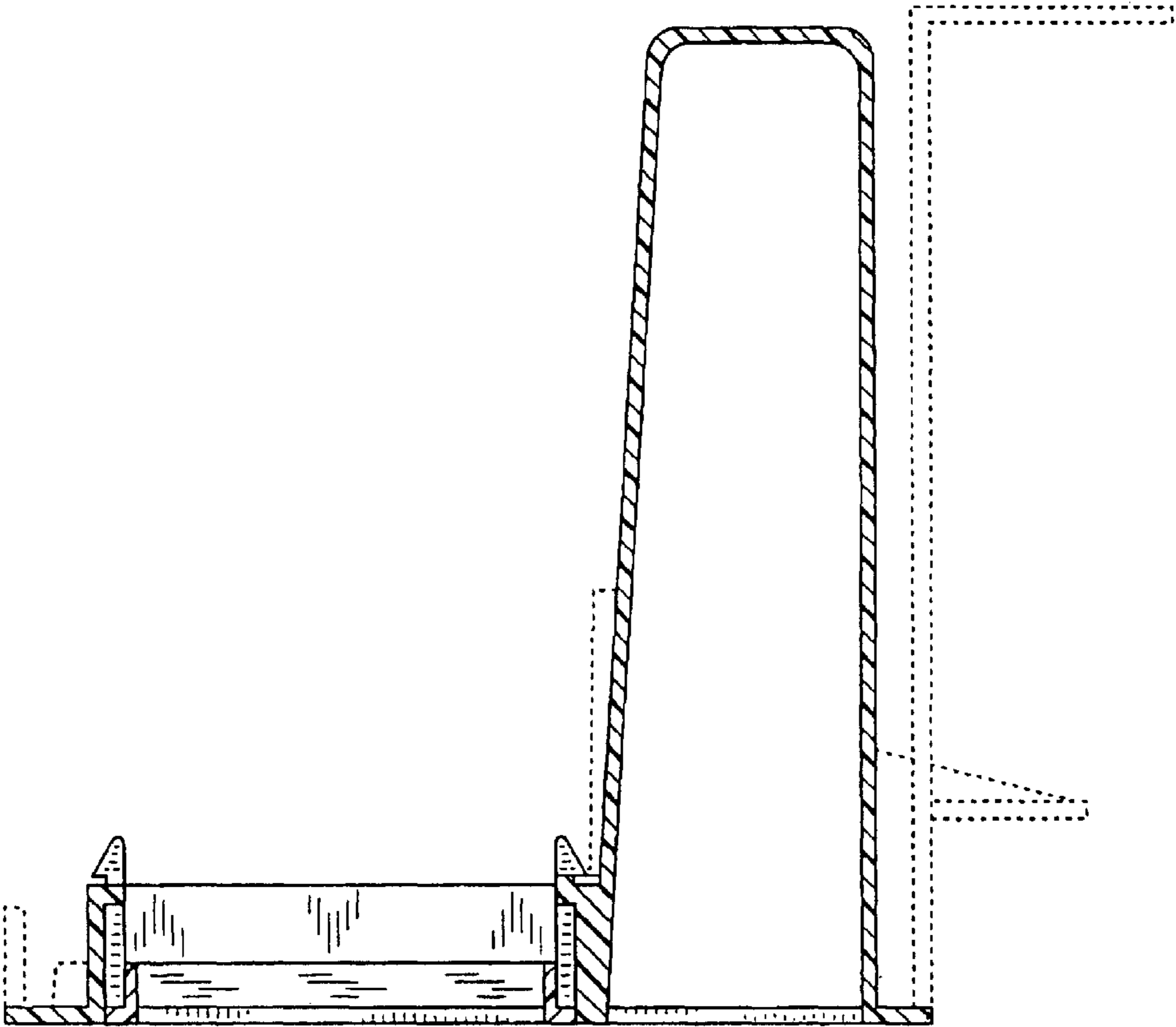
FIG. 2



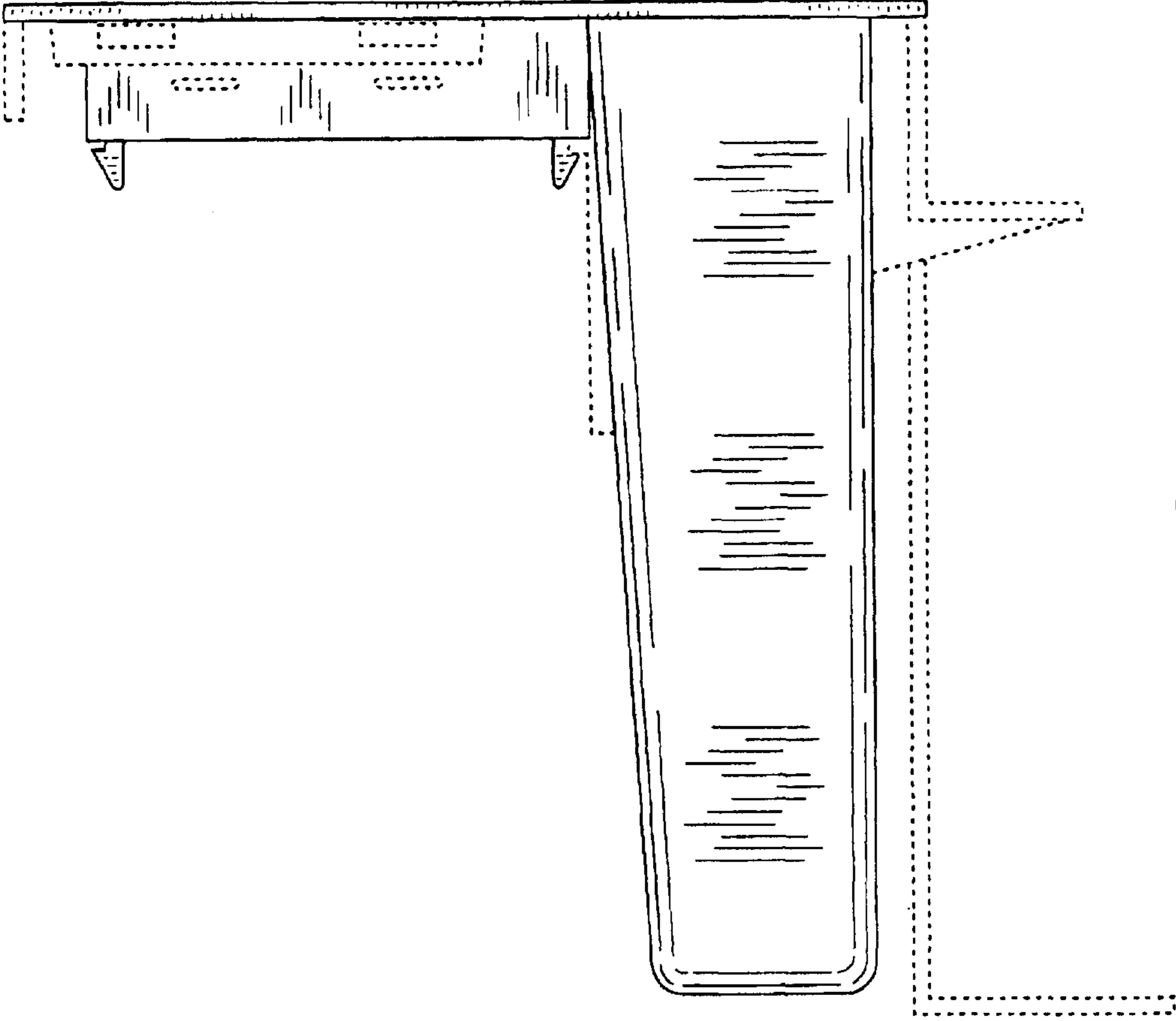
**FIG. 3**



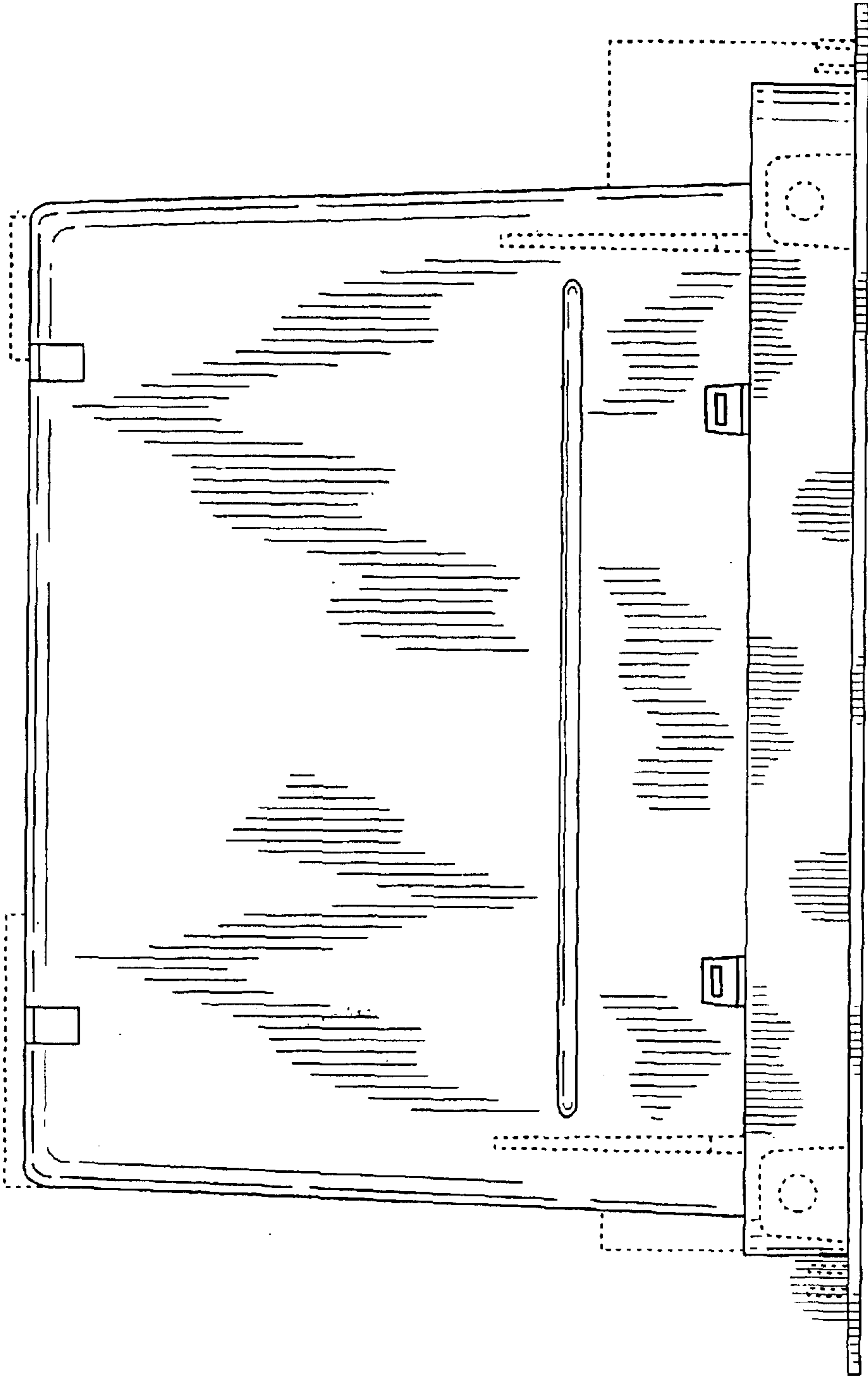
**FIG. 4A**



**FIG. 4B**

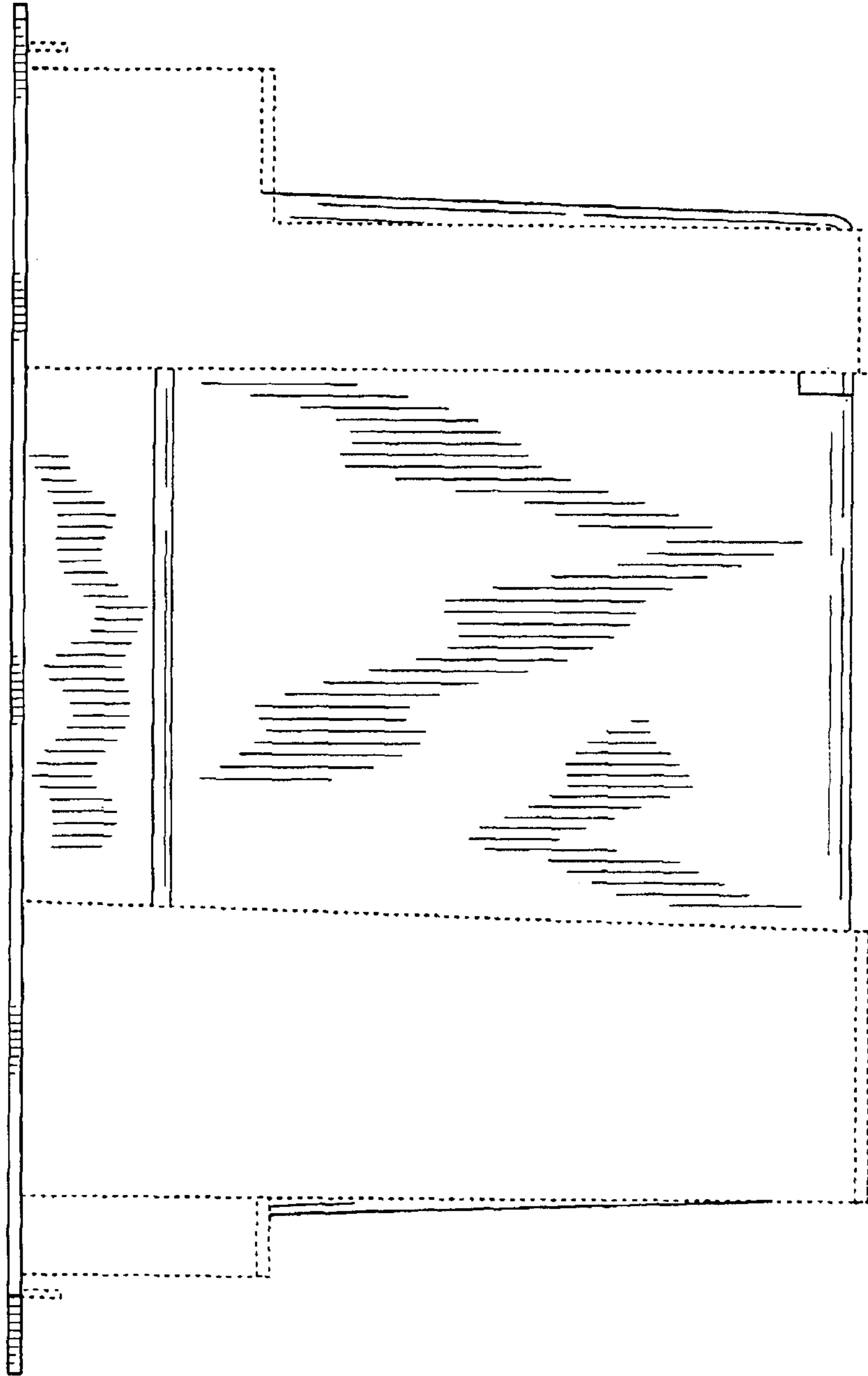


**FIG. 5**



**FIG. 6**





**FIG. 7**