

US00D507789S

(12) **United States Design Patent**  
**Mangano**

(10) **Patent No.:** **US D507,789 S**  
(45) **Date of Patent:** **\*\* Jul. 26, 2005**

(54) **COMBINATION CANDLE CENTERPIECE  
AND SIDE LOADING MUSIC CD PLAYER**

(75) **Inventor:** **Joy Mangano, St. James, NY (US)**

(73) **Assignee:** **Ingenious Designs LLC, Edgewood,  
NY (US)**

(\*\*) **Term:** **14 Years**

(21) **Appl. No.:** **29/214,302**

(22) **Filed:** **Sep. 30, 2004**

(51) **LOC (8) Cl.** ..... **14-01**

(52) **U.S. Cl.** ..... **D14/168; D26/10**

(58) **Field of Search** ..... **D6/495; D14/156,  
D14/168, 172; D26/6, 9-10, 22-23; 312/284;  
338/13, 26; 362/86, 234, 251, 392, 393;  
368/10, 272; 431/125, 253, 288, 290-292,  
29; 455/157.1**

(56) **References Cited**

**U.S. PATENT DOCUMENTS**

D74,997 S	*	4/1928	Kehoe	.....	D26/22
2,278,835 A		4/1942	Crowley		
4,801,478 A		1/1989	Greenblatt		
4,983,119 A		1/1991	Lin		
5,174,645 A		12/1992	Chung		
5,582,478 A		12/1996	Ambrosino		
5,622,490 A		4/1997	Cheng		

5,825,721 A	10/1998	Miyane		
6,033,209 A	3/2000	Shin et al.		
6,050,812 A	4/2000	Chuang		
6,120,283 A	*	9/2000	Cousins	..... 431/289
6,241,362 B1	*	6/2001	Morrison	..... 362/331
6,270,341 B1	*	8/2001	Garcia	..... 431/290
6,468,071 B2	10/2002	Zon		
6,491,516 B1	12/2002	Tal et al.		
6,520,770 B2	2/2003	Zou		

\* cited by examiner

*Primary Examiner*—Nanda Bondade

(74) *Attorney, Agent, or Firm*—Galgano & Burke, LLP

(57) **CLAIM**

The ornamental design for a combination candle centerpiece and side loading music CD player, as shown and described.

**DESCRIPTION**

FIG. 1 is a perspective view of a combination candle centerpiece and side loading music CD player showing my new design;

FIG. 2 is front view thereof;

FIG. 3 is a rear view thereof;

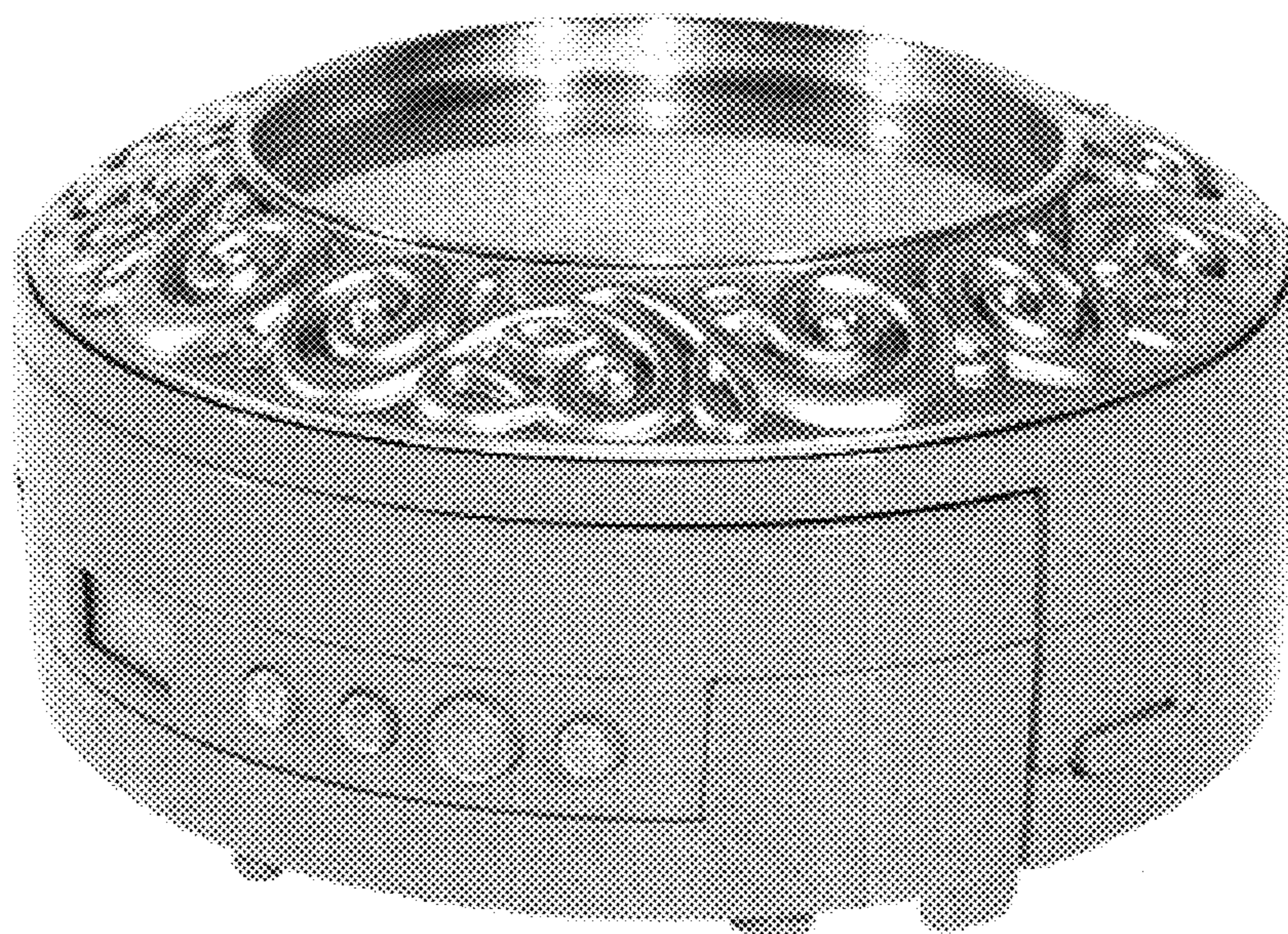
FIG. 4 is a right side view thereof;

FIG. 5 is a left side view thereof;

FIG. 6 is a top view thereof; and,

FIG. 7 is a bottom view thereof.

**1 Claim, 7 Drawing Sheets**





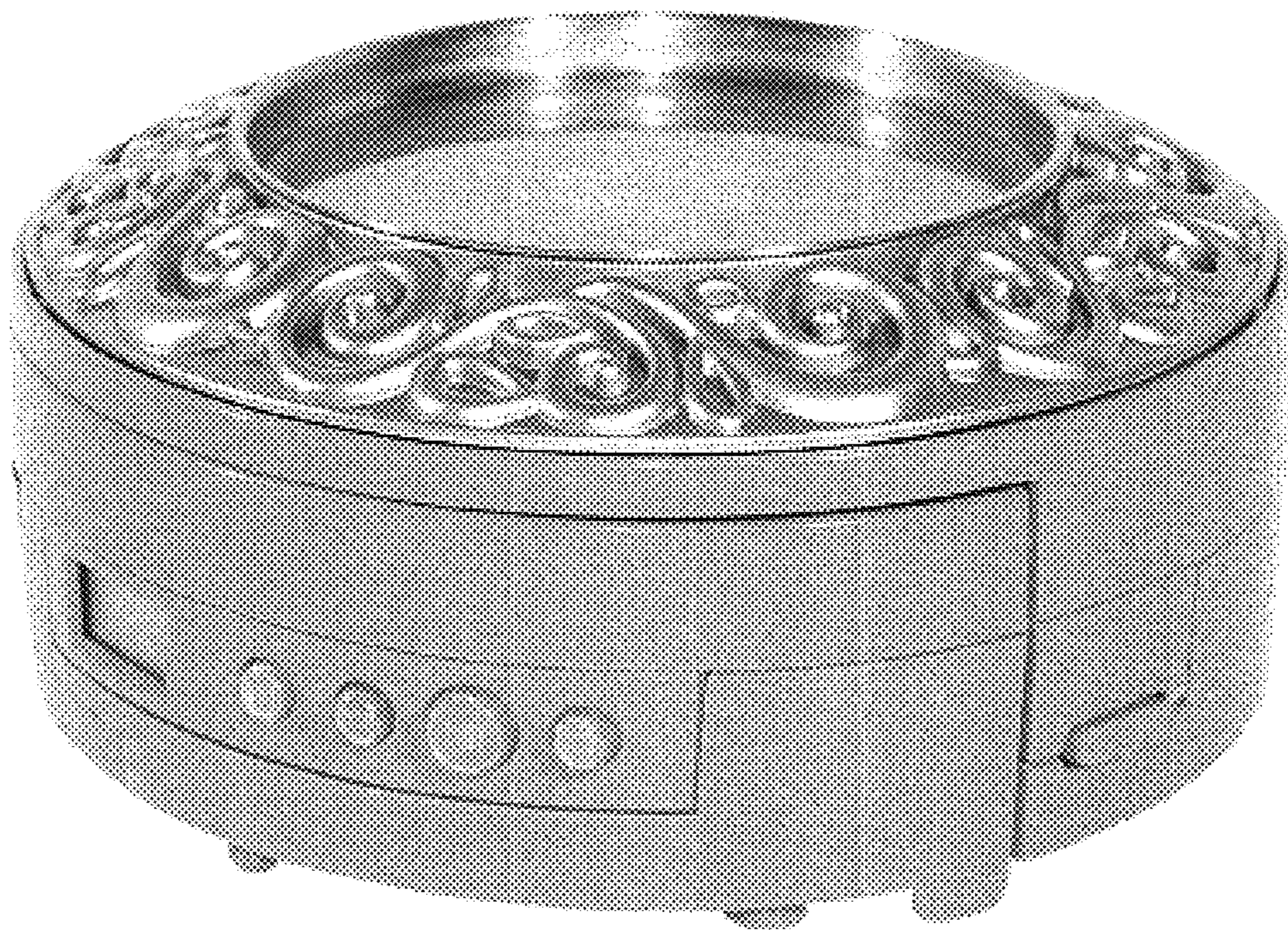


FIG. 1



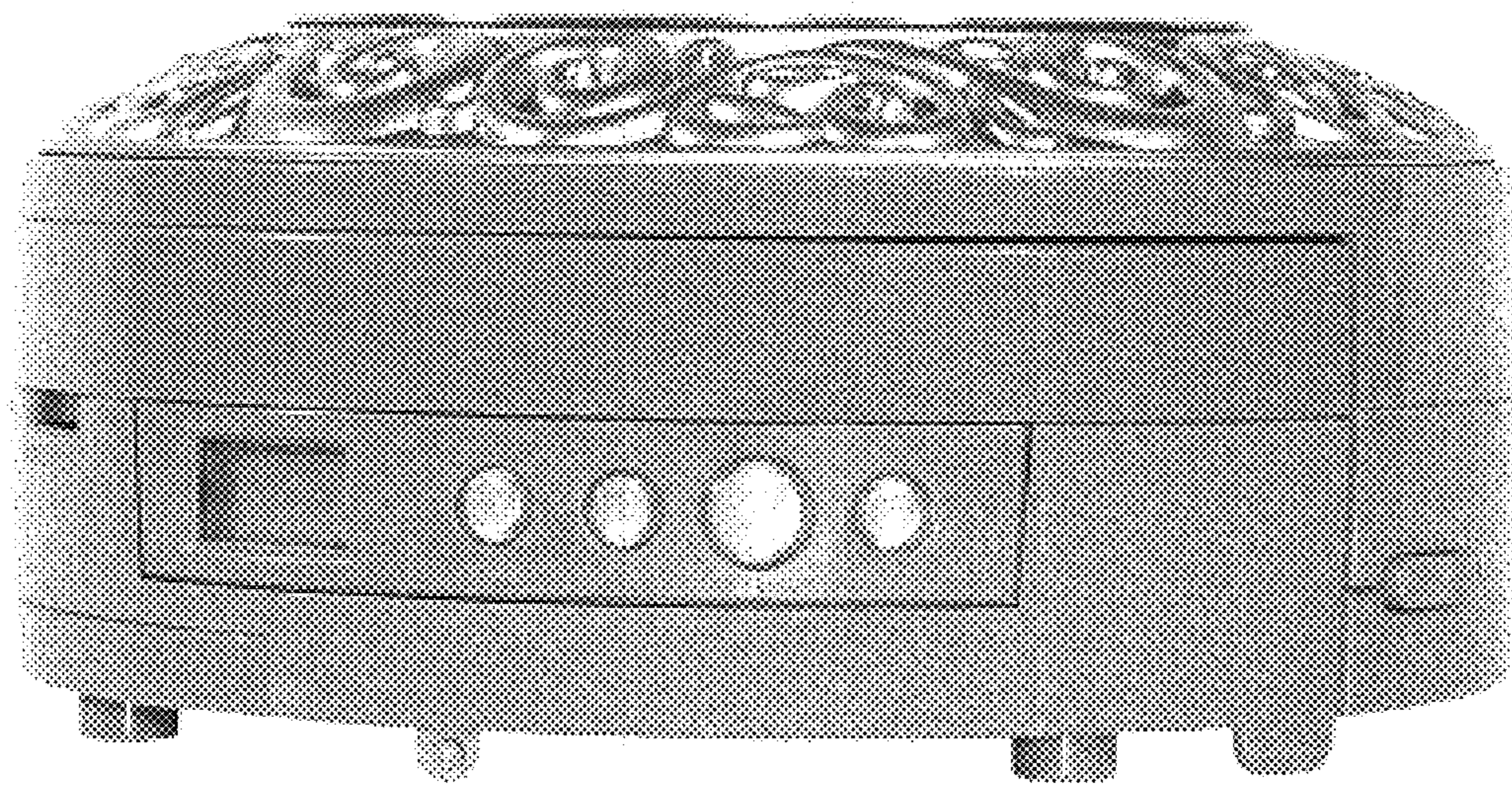


FIG. 2



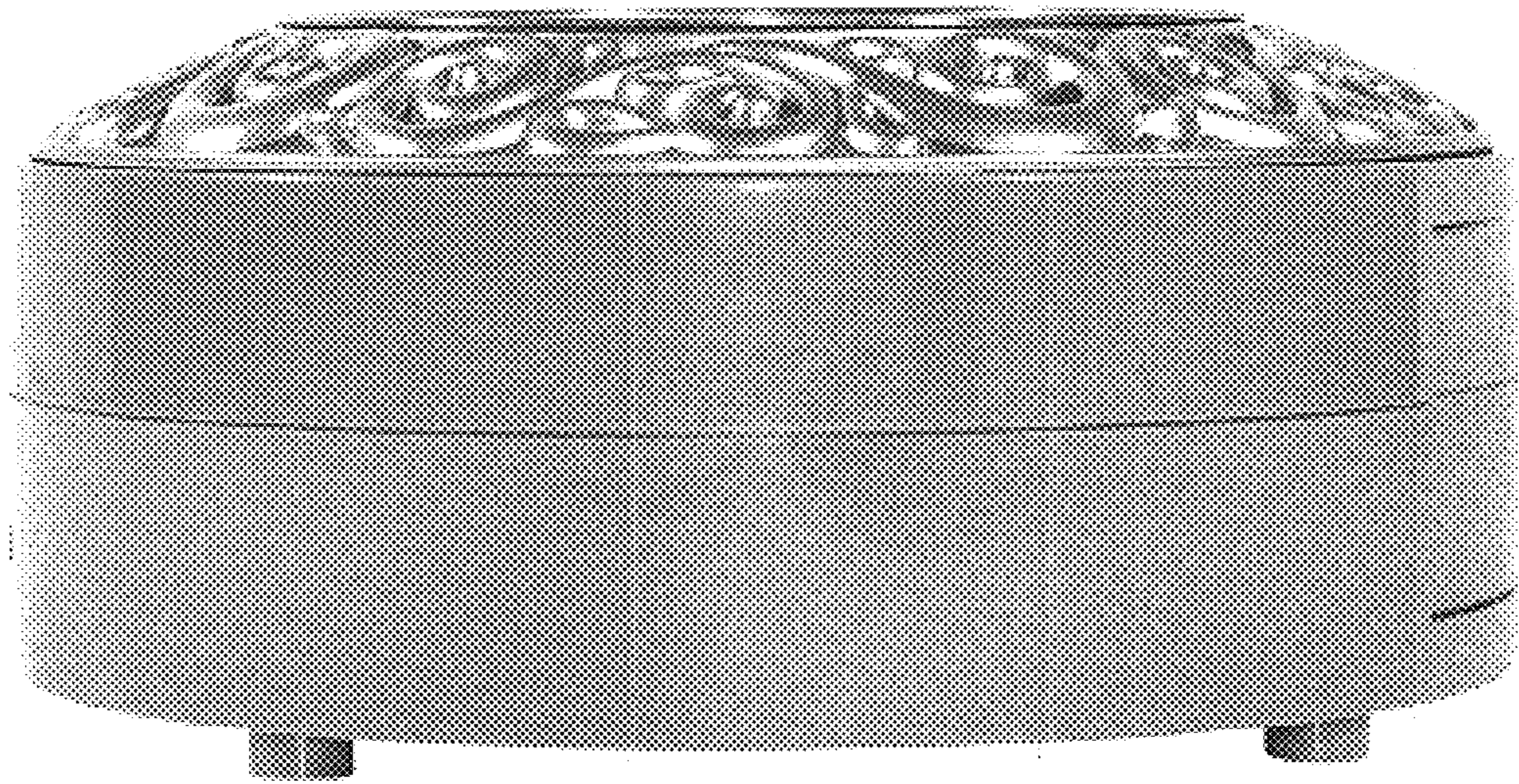


FIG. 3



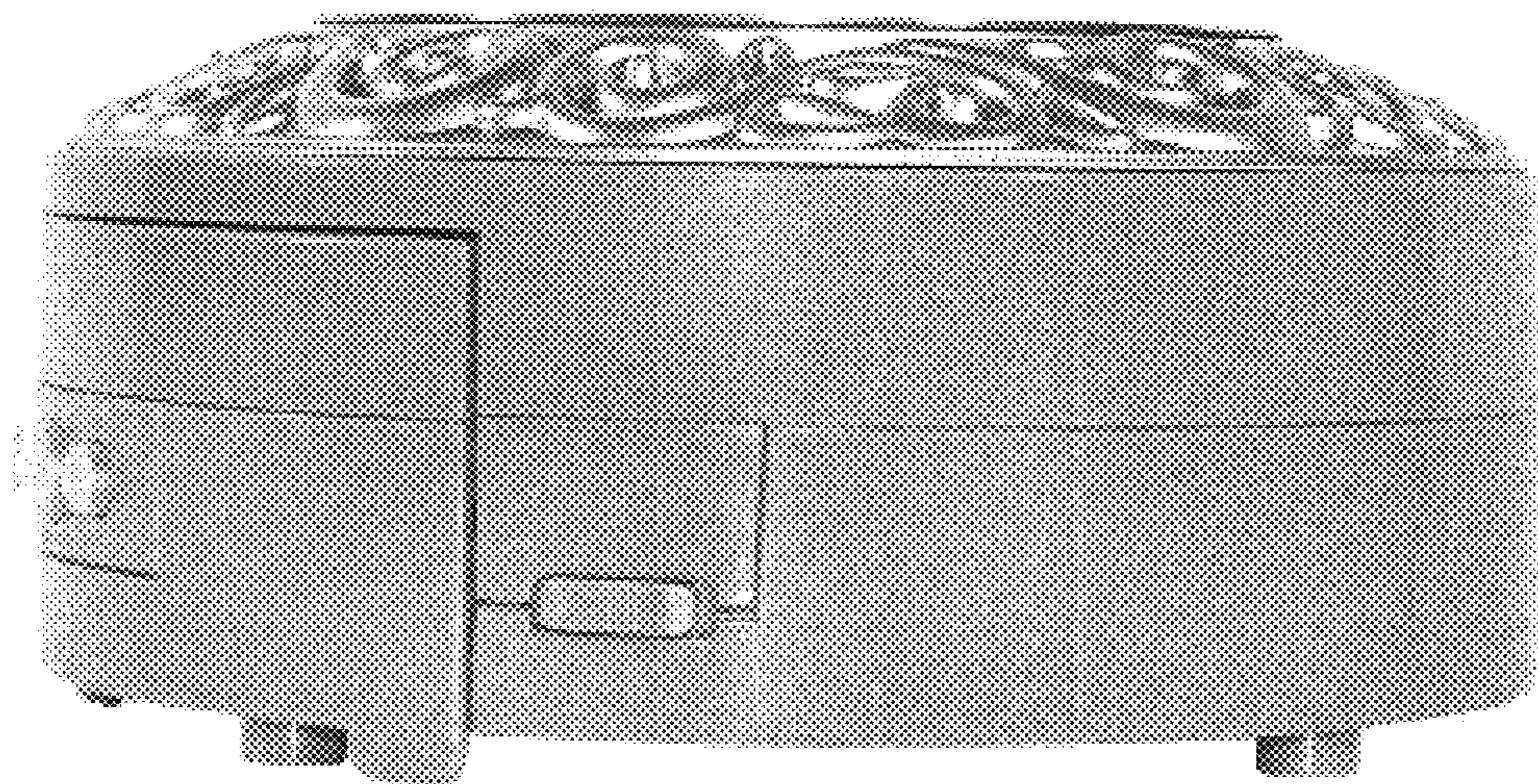


FIG. 4



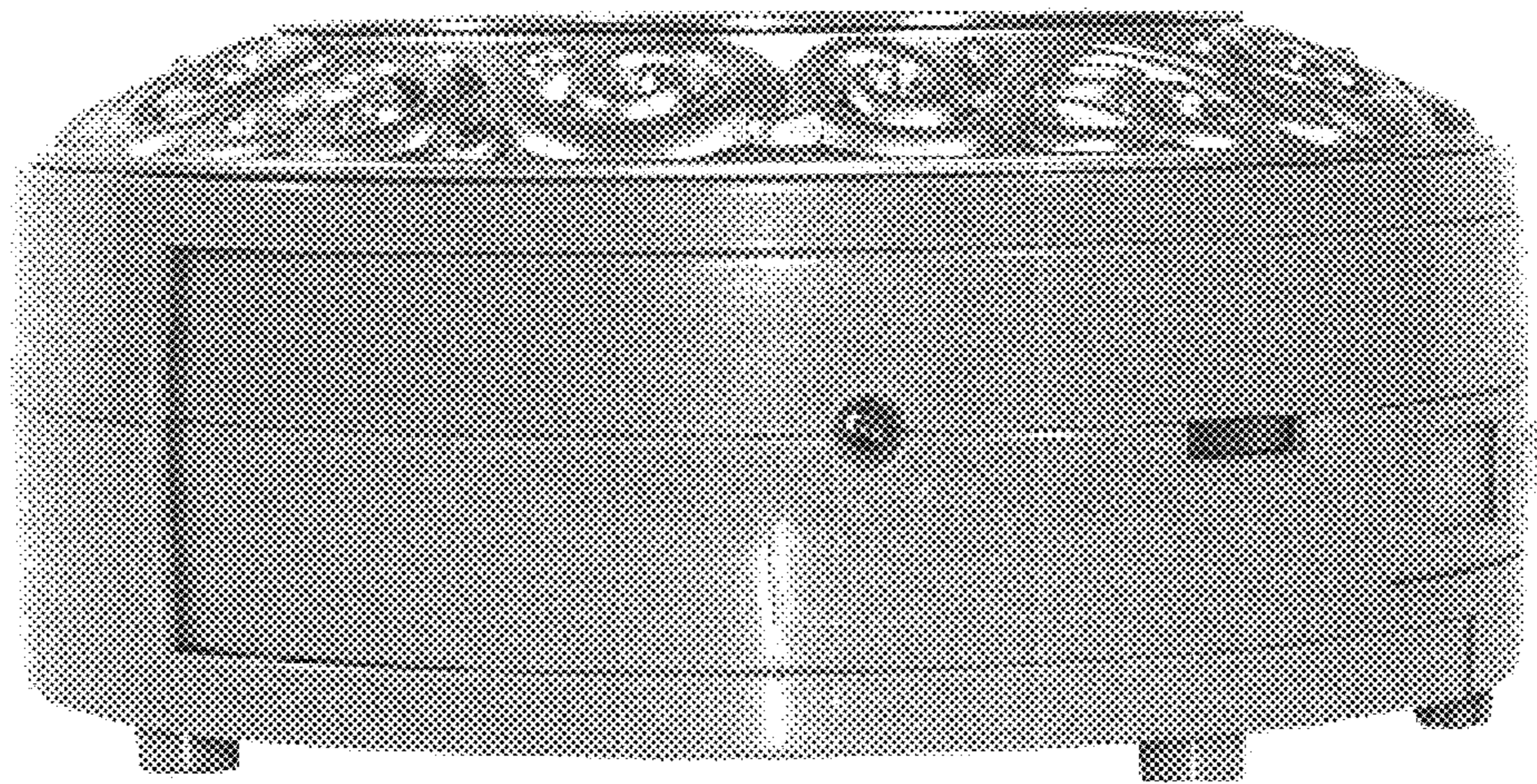


FIG. 5





FIG. 6



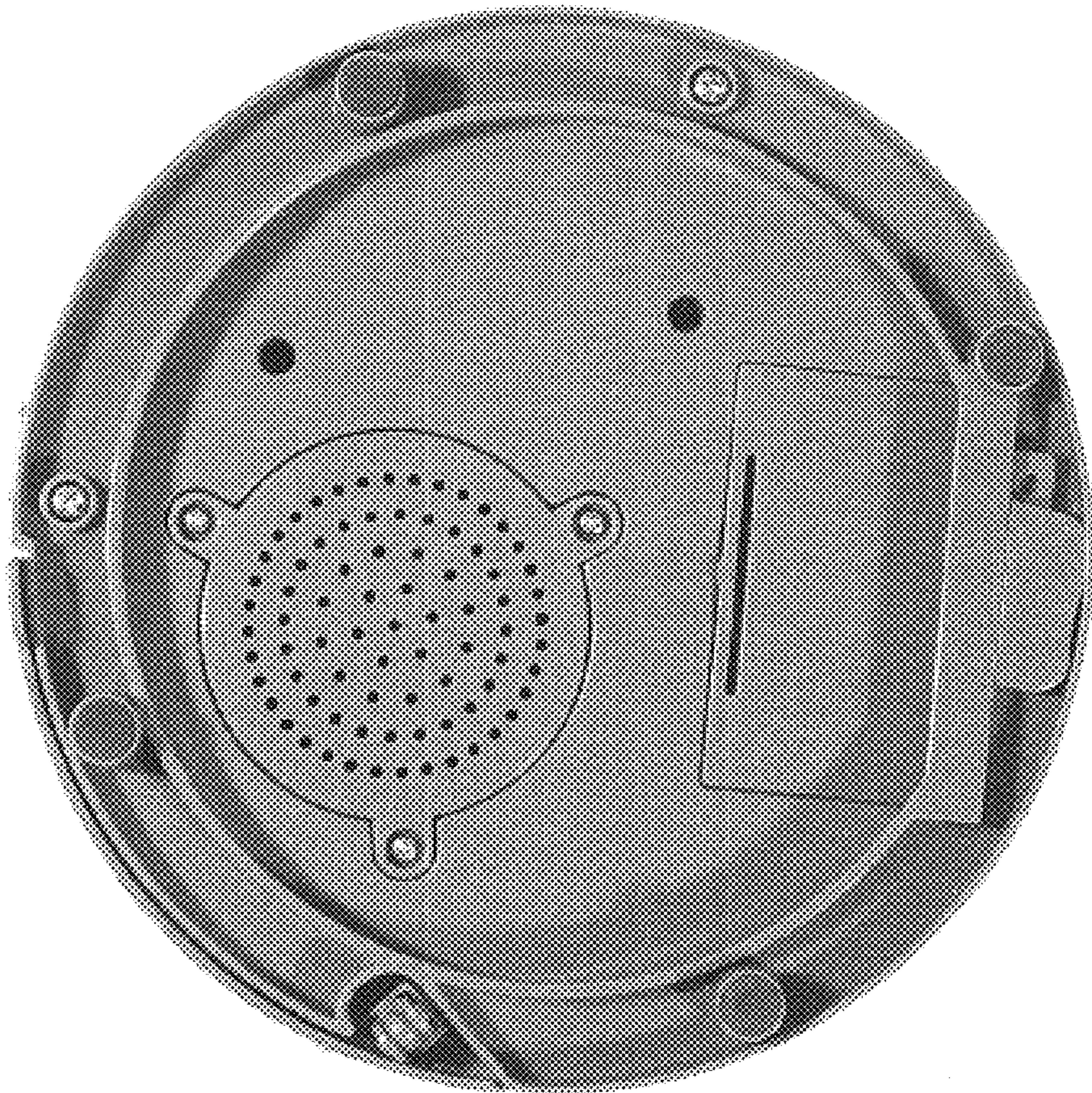


FIG. 7