

US00D507786S

(12) **United States Design Patent**
Hesse et al.

(10) **Patent No.:** **US D507,786 S**
(45) **Date of Patent:** **** Jul. 26, 2005**

(54) **VIDEO KIOSK**

(75) Inventors: **Thomas H. Hesse**, Mesa, AZ (US);
Keith A. Weaver, El Mirage, AZ (US)

(73) Assignee: **Multimedia Telesys, Inc.**, Tempe, AZ (US)

(**) Term: **14 Years**

(21) Appl. No.: **29/206,624**

(22) Filed: **May 27, 2004**

Related U.S. Application Data

(62) Division of application No. 29/183,817, filed on Jun. 16, 2003, now Pat. No. Des. 492,272.

(51) **LOC (8) Cl.** **14-03**

(52) **U.S. Cl.** **D14/129**

(58) **Field of Search** D14/126-134,
D14/146-151, 140-142, 240-241, 336,
371, 373, 375-376; 312/7.2, 198; 379/433-436,
419-420, 428, 440, 93.17, 916; 348/13-17

(56) **References Cited**

U.S. PATENT DOCUMENTS

2,413,922 A 1/1947 Jensen et al.
2,438,256 A 3/1948 Stein
4,113,331 A 9/1978 Derdzinski et al.

D268,583 S 4/1983 Whaley et al.
4,861,121 A 8/1989 Gotz
D351,160 S 10/1994 Massey et al.
D380,739 S 7/1997 Senturia et al.
D395,129 S 6/1998 Johnson
D424,049 S 5/2000 Ho et al.
D434,412 S 11/2000 Creech et al.
D442,155 S 5/2001 Pham et al.

Primary Examiner—Raphael Barkai
(74) *Attorney, Agent, or Firm*—Squire, Sanders & Dempsey, L.L.P.

(57) **CLAIM**

The ornamental design for a video kiosk, as shown and described.

DESCRIPTION

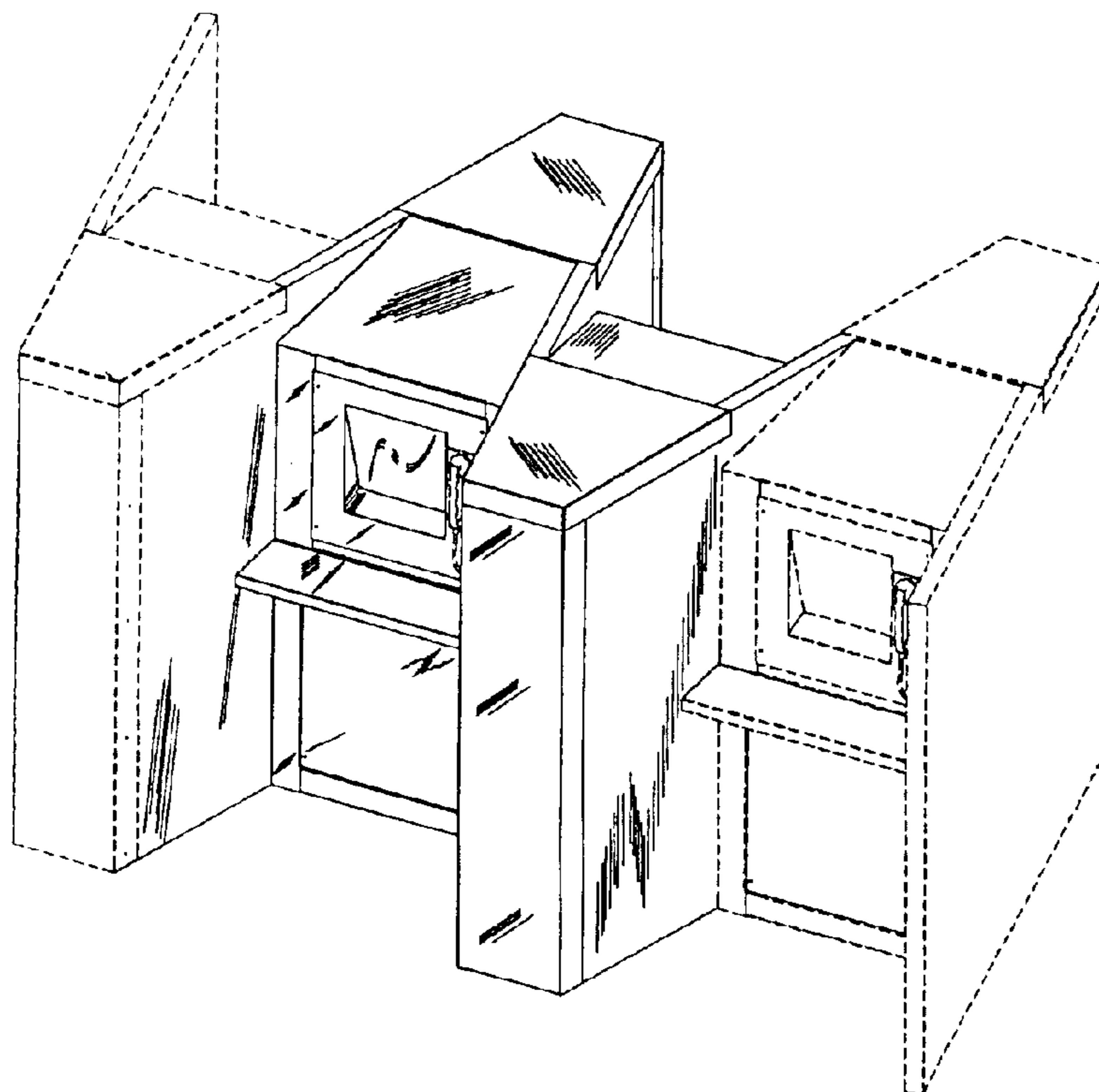
FIG. 1 is a perspective view of a video kiosk, showing novel design, the view showing the right side of the video kiosk, the left side identical; the view showing the front side of the video kiosk, the back side identical;

FIG. 2 is a top view of the video kiosk of FIG. 1; and, FIG. 3 is a front elevation view of the video kiosk of FIG. 1, dashed lines on left and right indicate boundaries and are not part of the design.

The bottom is unornamented.

Except as discussed above, the dashed lines in the drawing show environment and form no part of the claimed design.

1 Claim, 3 Drawing Sheets



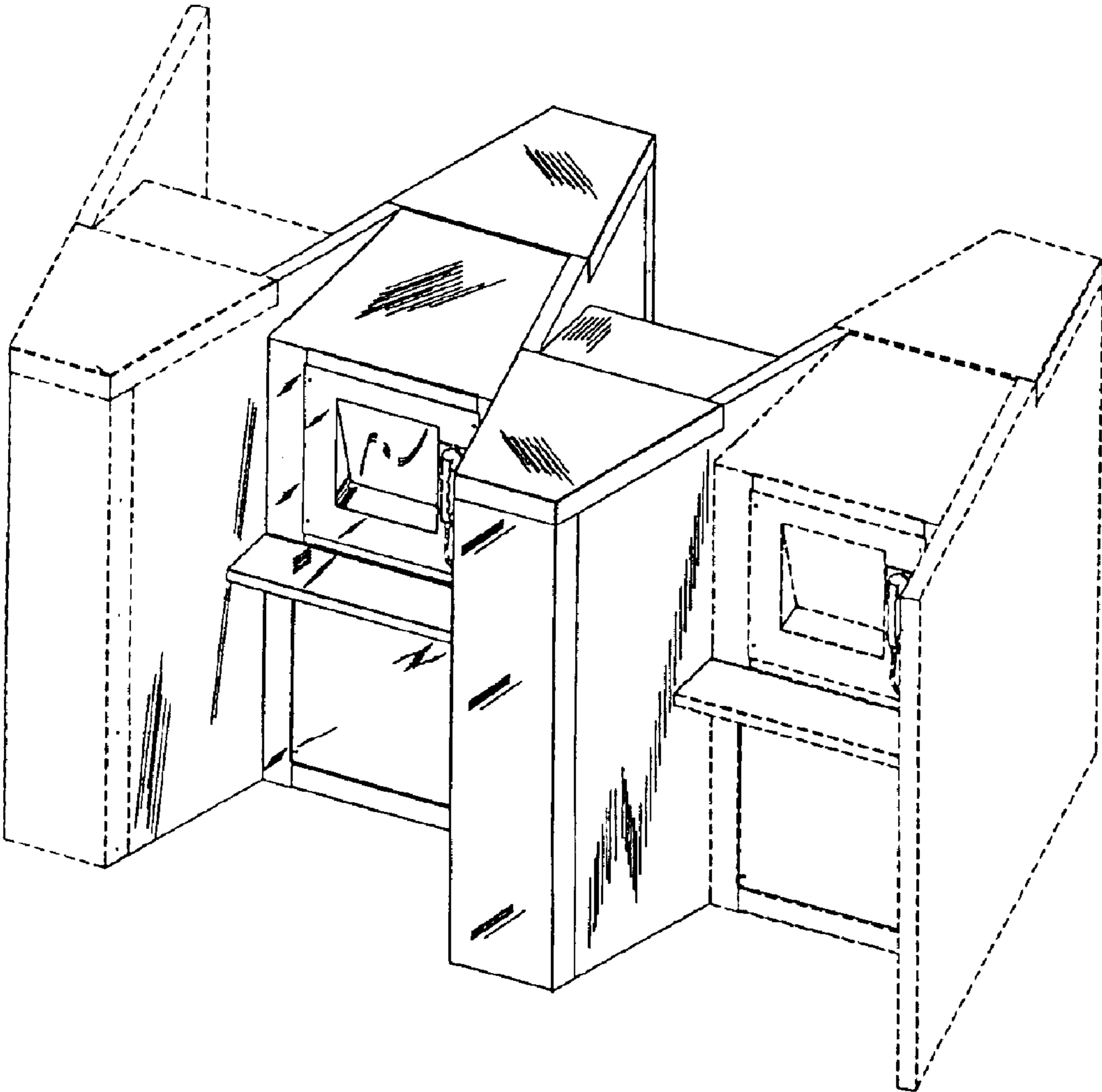


FIG. 1

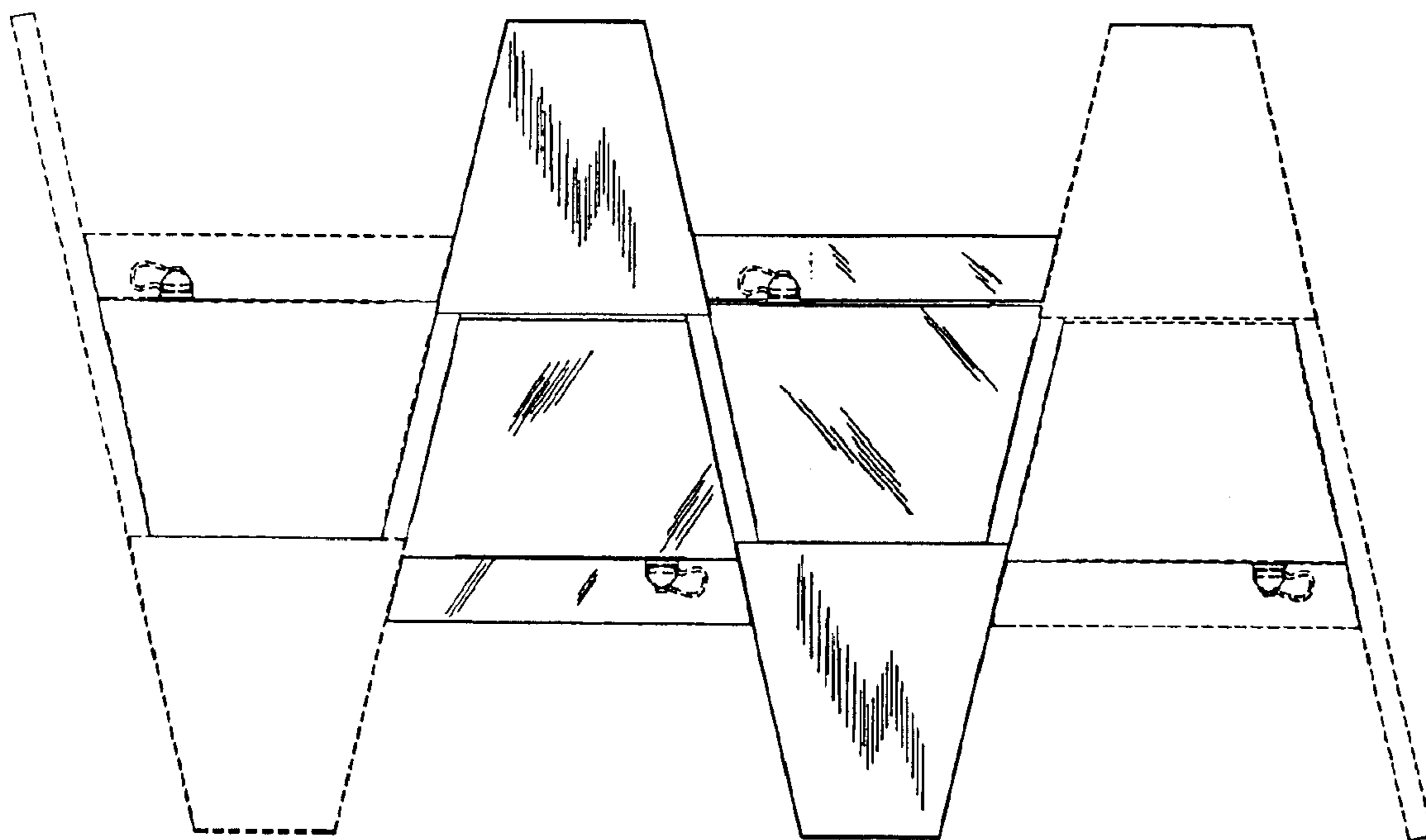


FIG. 2

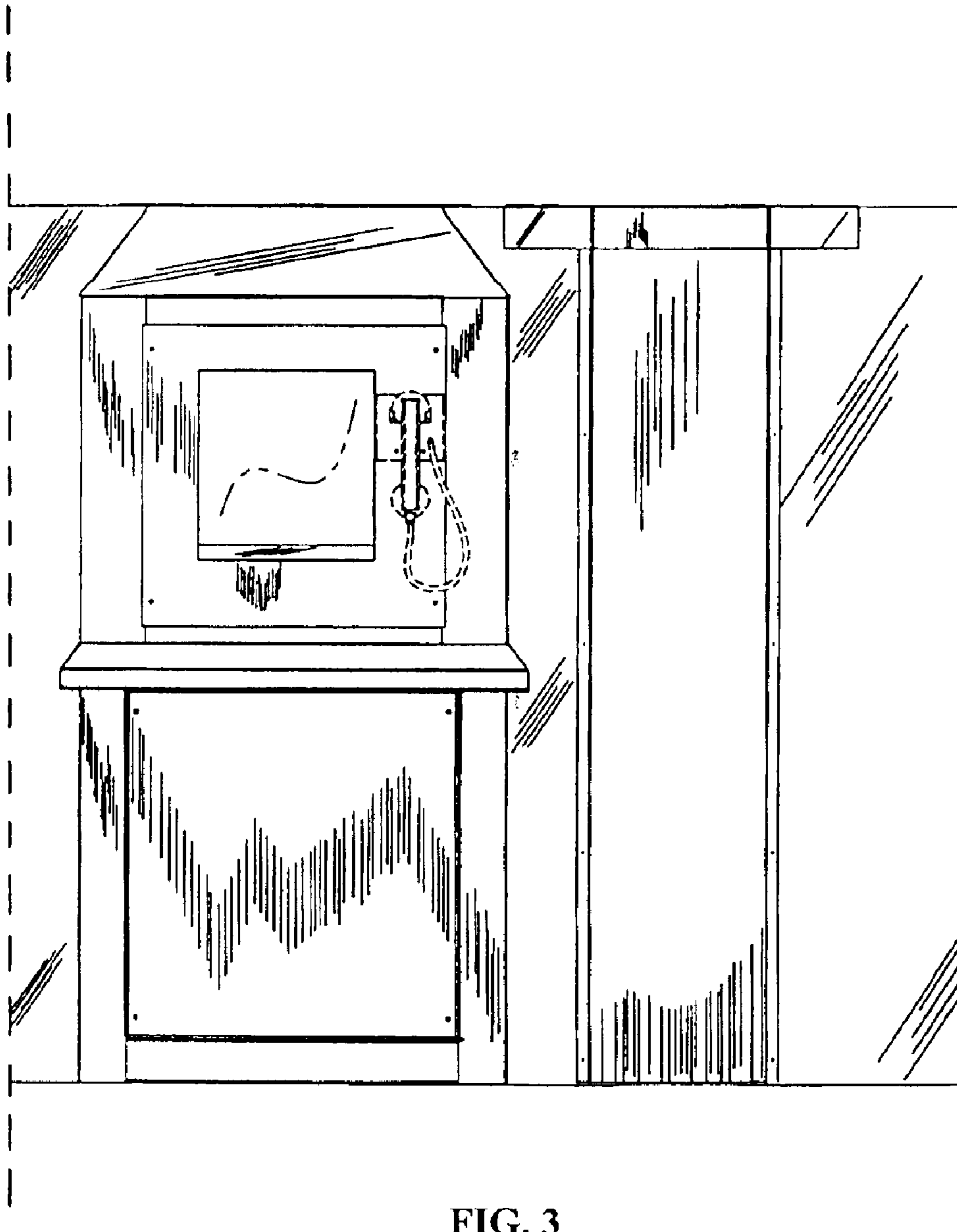


FIG. 3