

US00D507784S

(12) **United States Design Patent**
Lowery

(10) **Patent No.:** **US D507,784 S**

(45) **Date of Patent:** **** Jul. 26, 2005**

(54) **BOAT TILLER**

(76) **Inventor:** **Harris Lowery**, Box 101, Palm City,
FL (US) 34991

(**) **Term:** **14 Years**

(21) **Appl. No.:** **29/207,152**

(22) **Filed:** **Jun. 10, 2004**

(51) **LOC (8) Cl.** **12-06**

(52) **U.S. Cl.** **D13/317**

(58) **Field of Search** D12/300, 303,
D12/317, 318; 114/146, 153, 162, 163,
164; 440/61 S, 51

(56) **References Cited**

U.S. PATENT DOCUMENTS

2,654,335 A	*	10/1953	Ball	114/153
4,735,166 A	*	4/1988	Dimalanta	114/146
D351,583 S	*	10/1994	Plennert et al.	D12/317
5,555,837 A	*	9/1996	Marshall et al.	114/153
5,676,079 A	*	10/1997	Depke	114/162

* cited by examiner

Primary Examiner—Holly Baynham

Assistant Examiner—Cynthia M. Chin

(74) *Attorney, Agent, or Firm*—Kevin Redmond

(57) **CLAIM**

I claim the ornamental design for a boat tiller, as shown and described.

DESCRIPTION

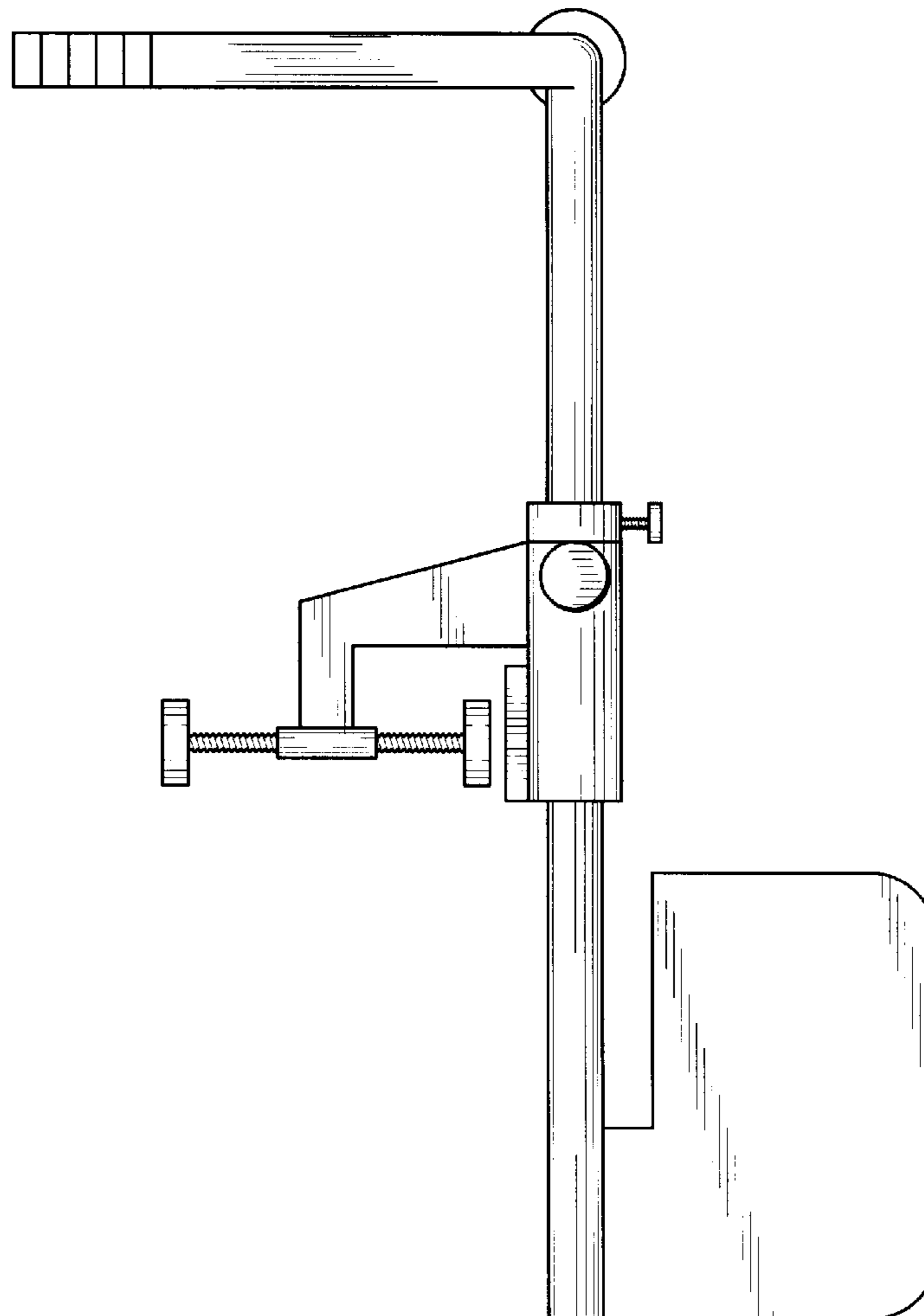
FIG. 1 is a side elevation view of the present invention showing the principal components including a rudder, a rudder shaft, a rudder bearing, a mounting clamp and a tiller arm.

FIG. 2 is a rear elevation view of the present invention as shown in FIG. 1.

FIG. 3 is an opposite side elevation view of the present invention as shown in FIG. 1; and,

FIG. 4 is a front elevation view of the present invention as shown in FIG. 1.

1 Claim, 2 Drawing Sheets



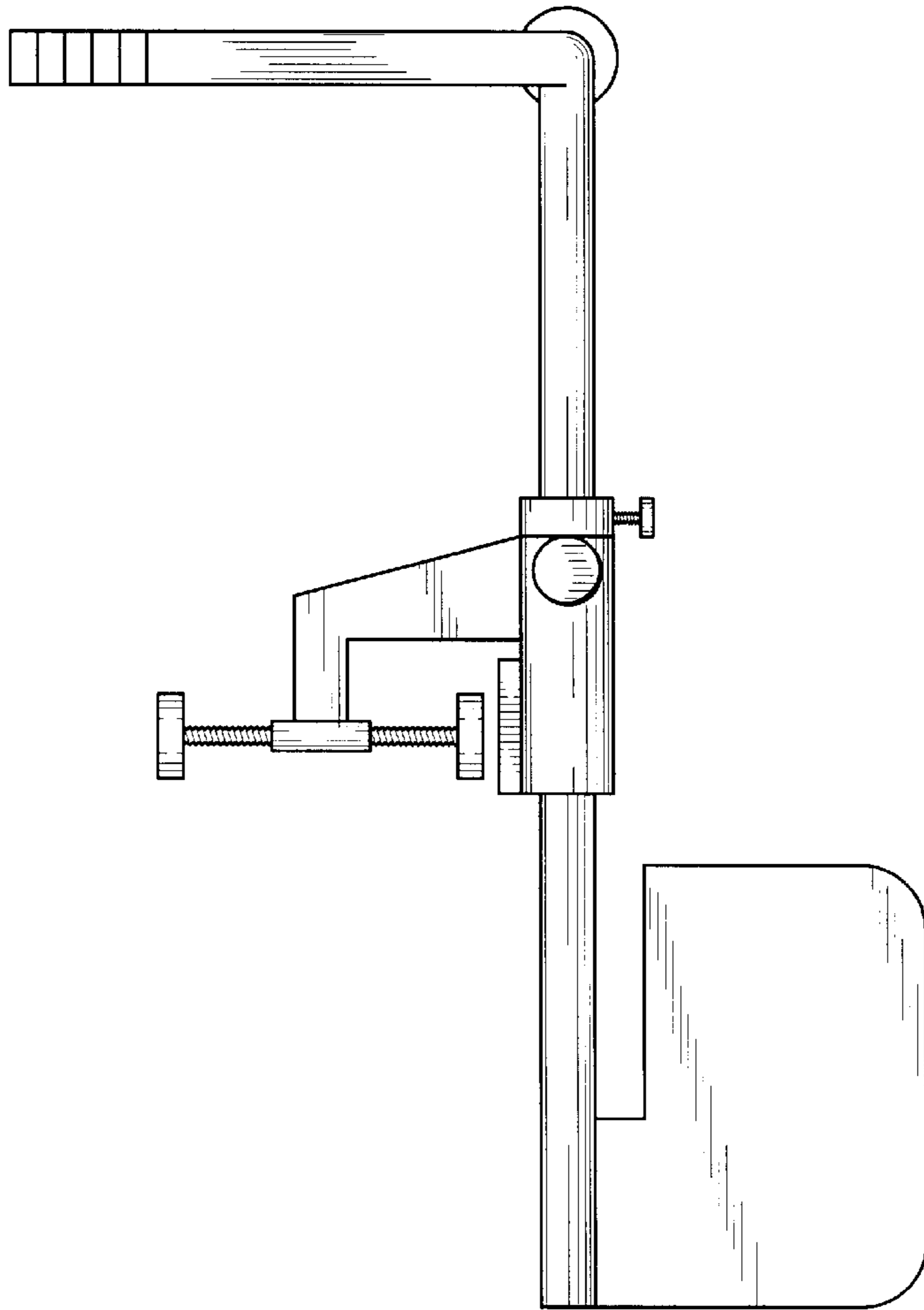


Fig. 1

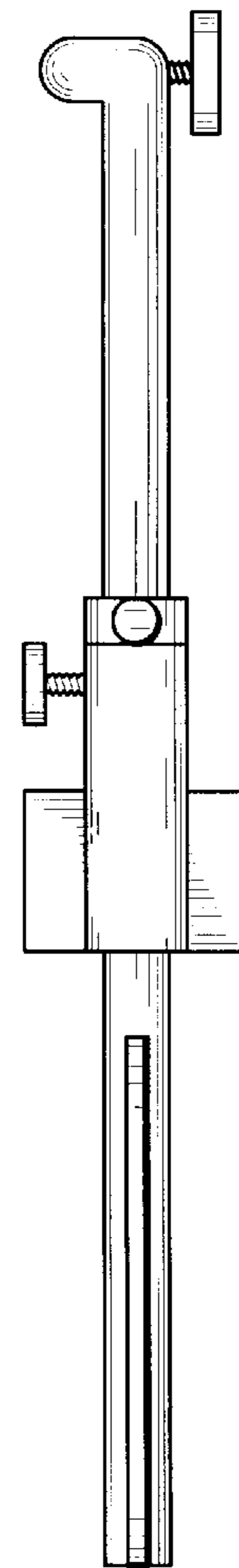


Fig. 2

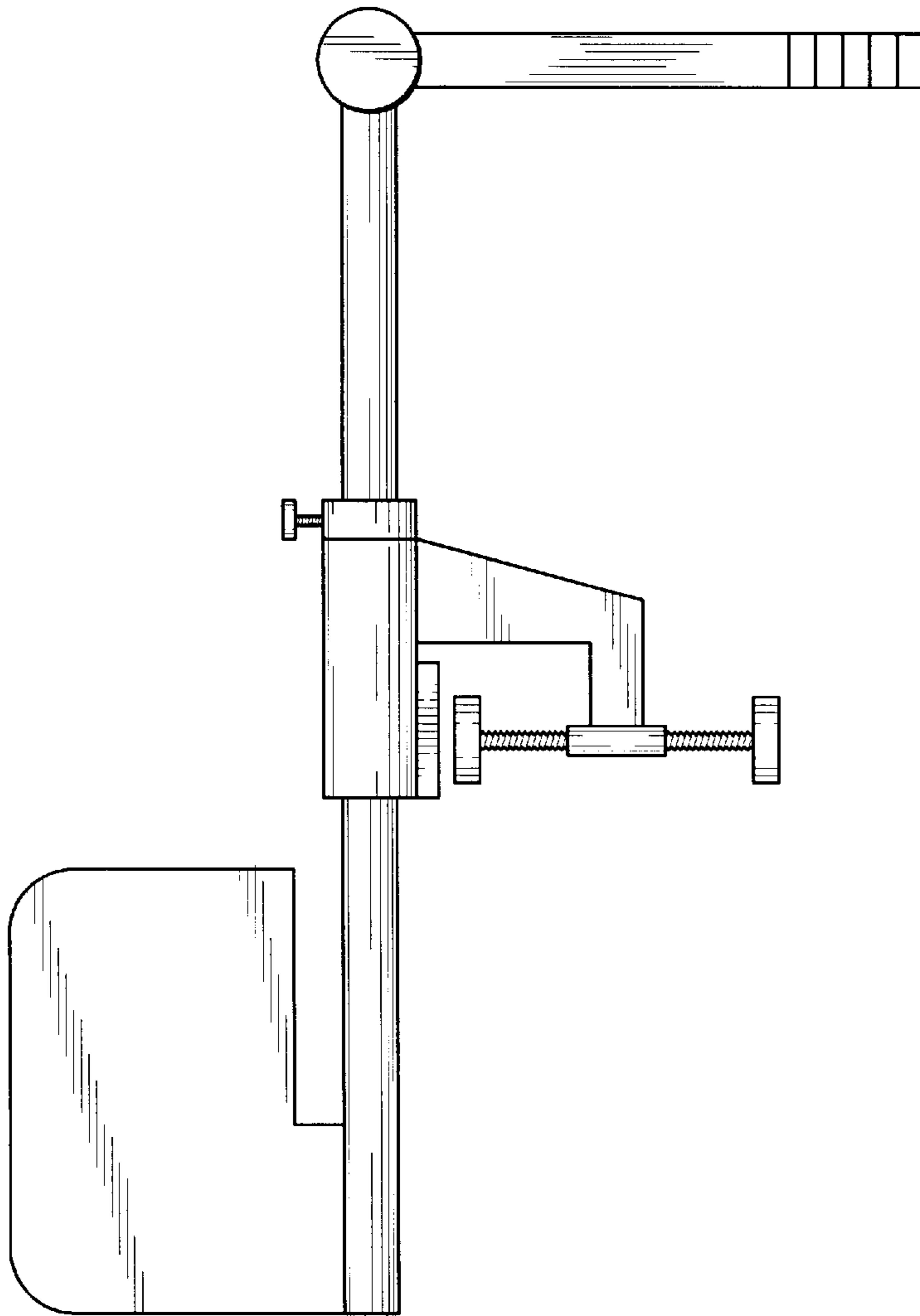


Fig. 3

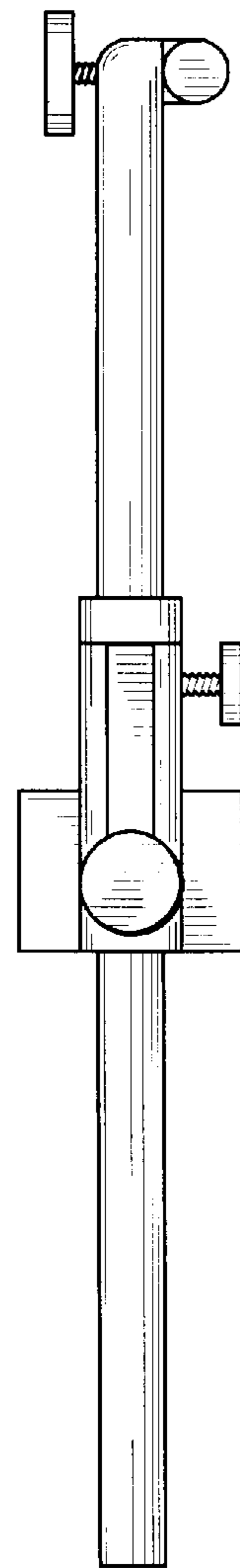


Fig. 4