

US00D507781S

(12) **United States Design Patent**
To

(10) **Patent No.: US D507,781 S**

(45) **Date of Patent: ** *Jul. 26, 2005**

(54) **HANDHELD TRANSMITTER**

(75) Inventor: **Nguyen To**, Oceanside, CA (US)

(73) Assignee: **Directed Electronics, Inc**, Vista, CA (US)

(*) Notice: This patent is subject to a terminal disclaimer.

(**) Term: **14 Years**

(21) Appl. No.: **29/195,779**

(22) Filed: **Dec. 17, 2003**

(51) **LOC (8) Cl.** **13-03**

(52) **U.S. Cl.** **D13/168**

(58) **Field of Search** D13/168; D3/208;
D10/104, 106; D14/155, 171, 191, 218,
248; 123/179.2; 340/825, 825.22, 825.23,
825.31, 825.32, 825.36, 825.58, 825.69,
825.72, 425.5, 426; 341/176; 455/151.1-151.4

(56) **References Cited**

U.S. PATENT DOCUMENTS

D360,154 S * 7/1995 Jung D10/104
D377,458 S * 1/1997 Tsui D10/104

5,614,885 A * 3/1997 Van Lente et al. 340/525
D398,588 S * 9/1998 Pinardi et al. D13/168
D406,779 S * 3/1999 Pinardi et al. D10/104
D412,514 S * 8/1999 Hench D3/208
6,374,164 B1 * 4/2002 Eklind et al. 701/2
D459,263 S * 6/2002 Flick D10/106
D459,314 S * 6/2002 Flick D13/168
D475,353 S * 6/2003 Flick D13/168

* cited by examiner

Primary Examiner—Stella Reid
Assistant Examiner—Selina Sikder

(74) *Attorney, Agent, or Firm*—KC Bean, Esq.

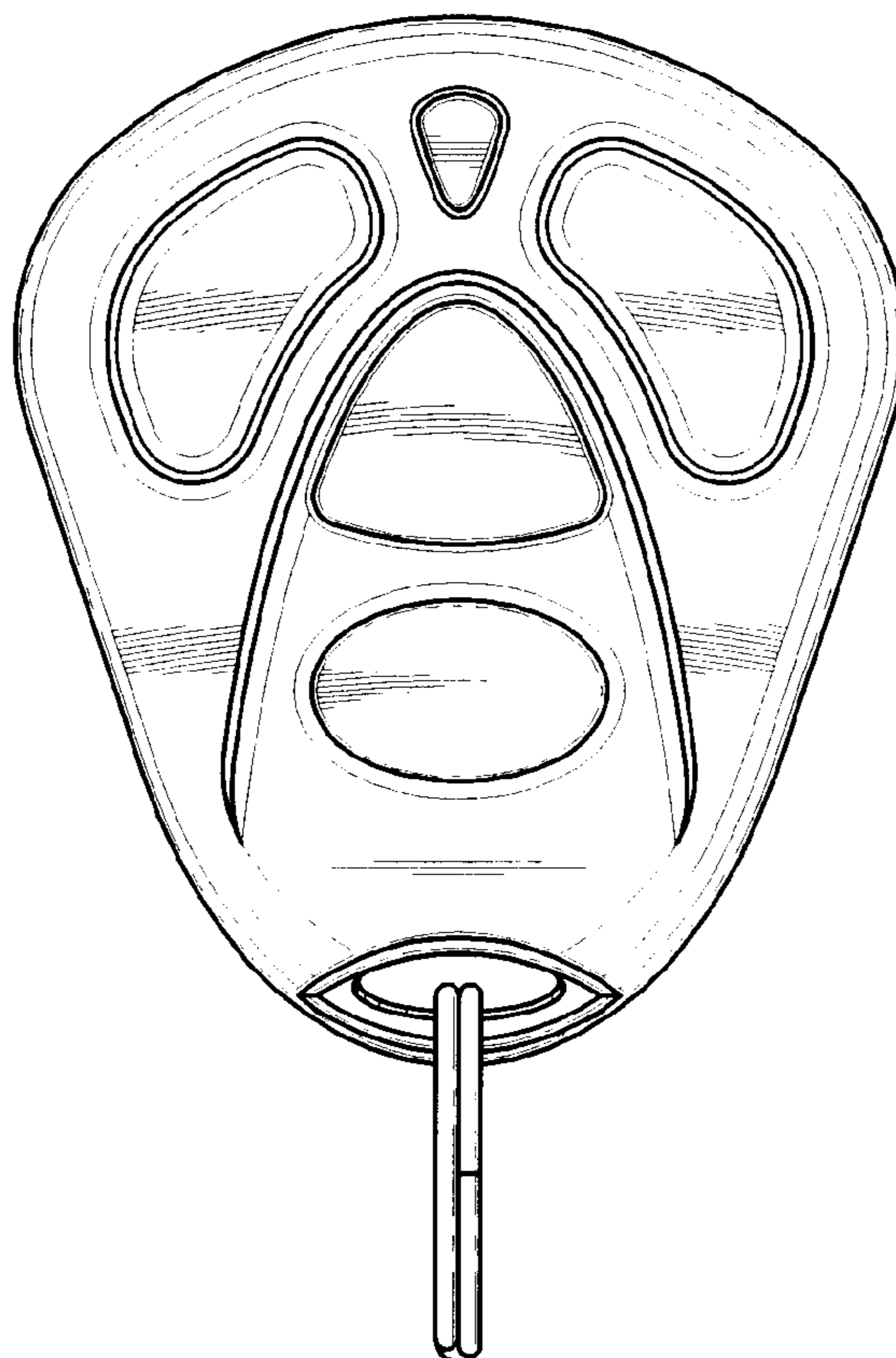
(57) **CLAIM**

The ornamental design of a handheld transmitter, as shown and described.

DESCRIPTION

FIG. 1 is the front elevation view of the handheld transmitter showing our new design;
FIG. 2 is the left side elevation view thereof;
FIG. 3 is the right side elevation view thereof;
FIG. 4 is the rear elevation view thereof;
FIG. 5 is the top plan view thereof; and,
FIG. 6 is the bottom plan view thereof.

1 Claim, 2 Drawing Sheets



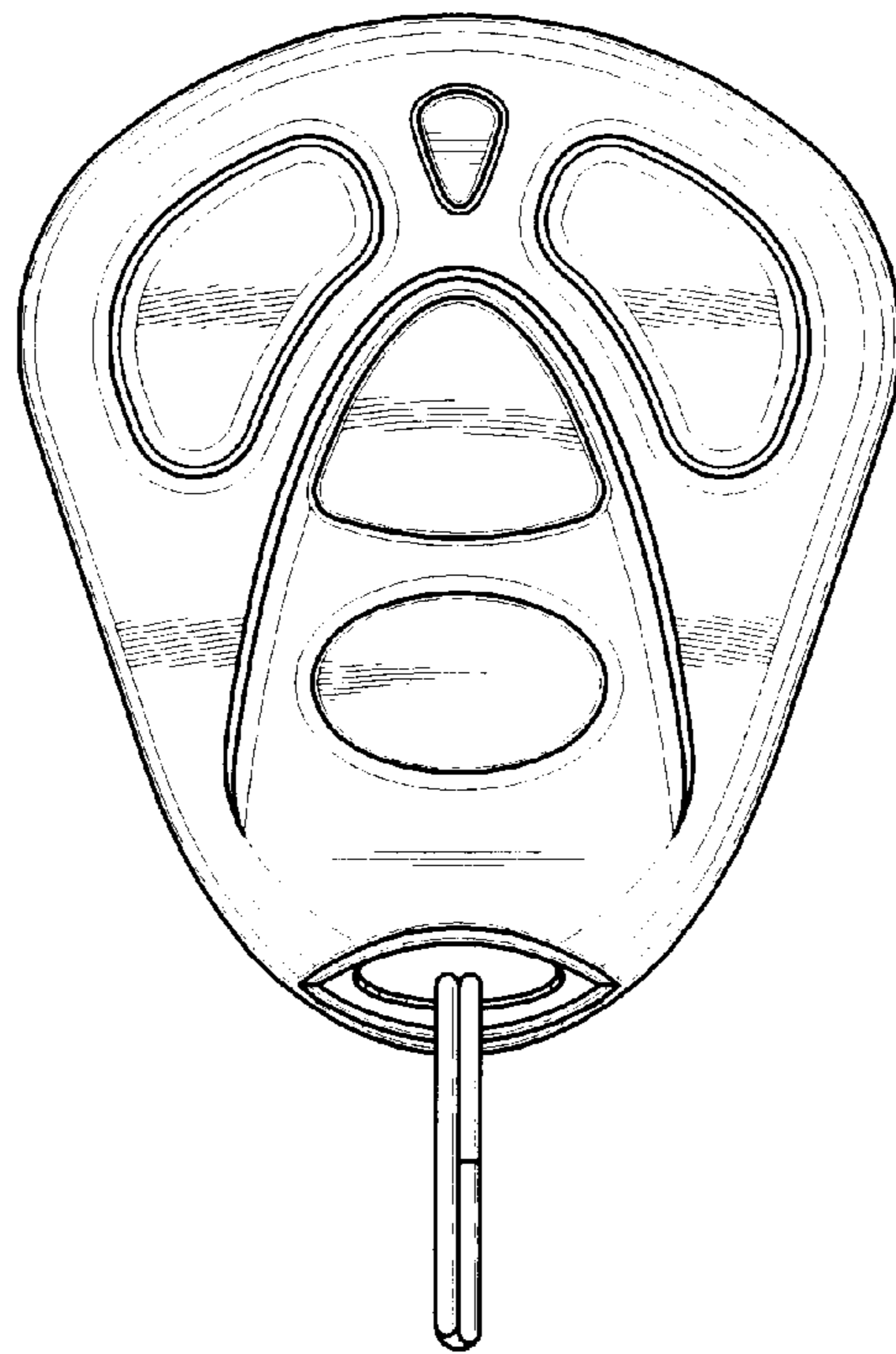


FIG. 1

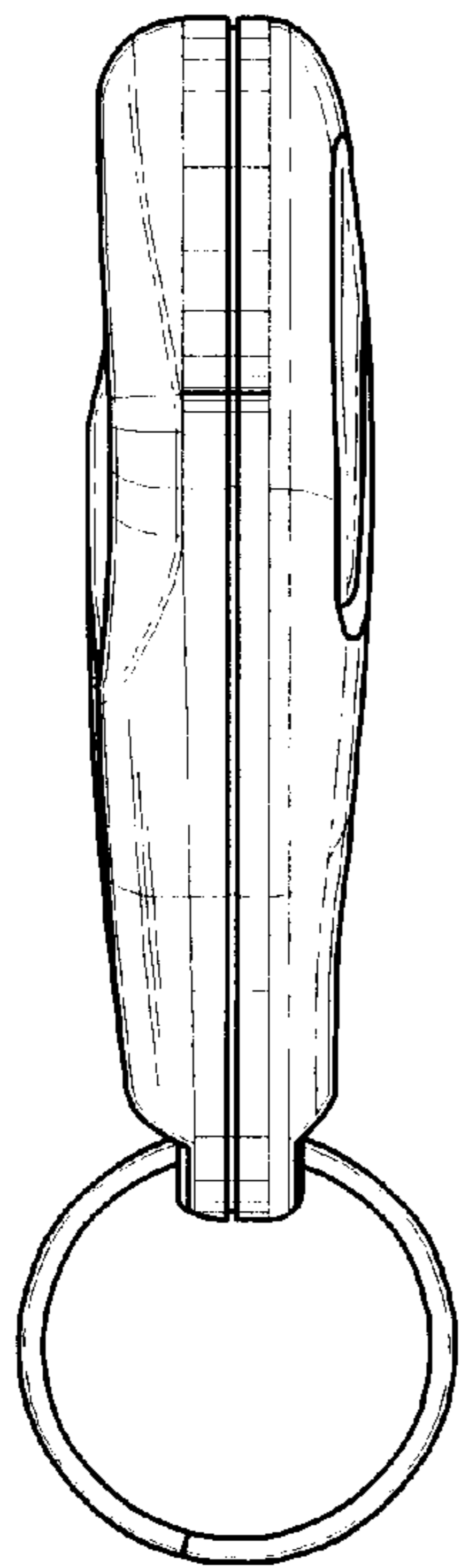


FIG. 2

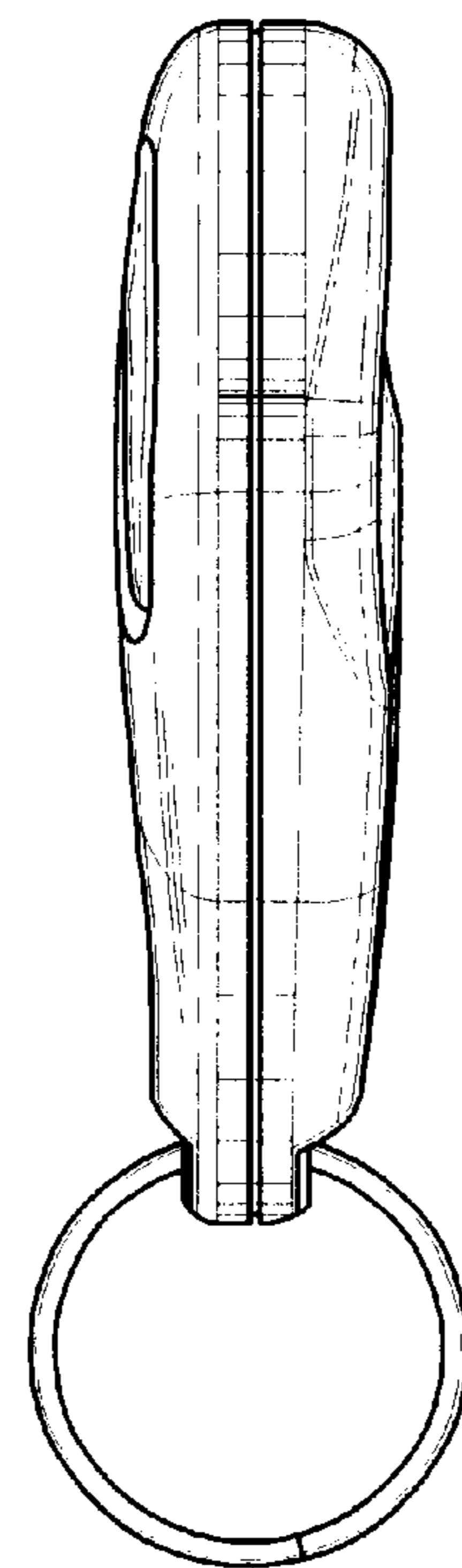


FIG. 3

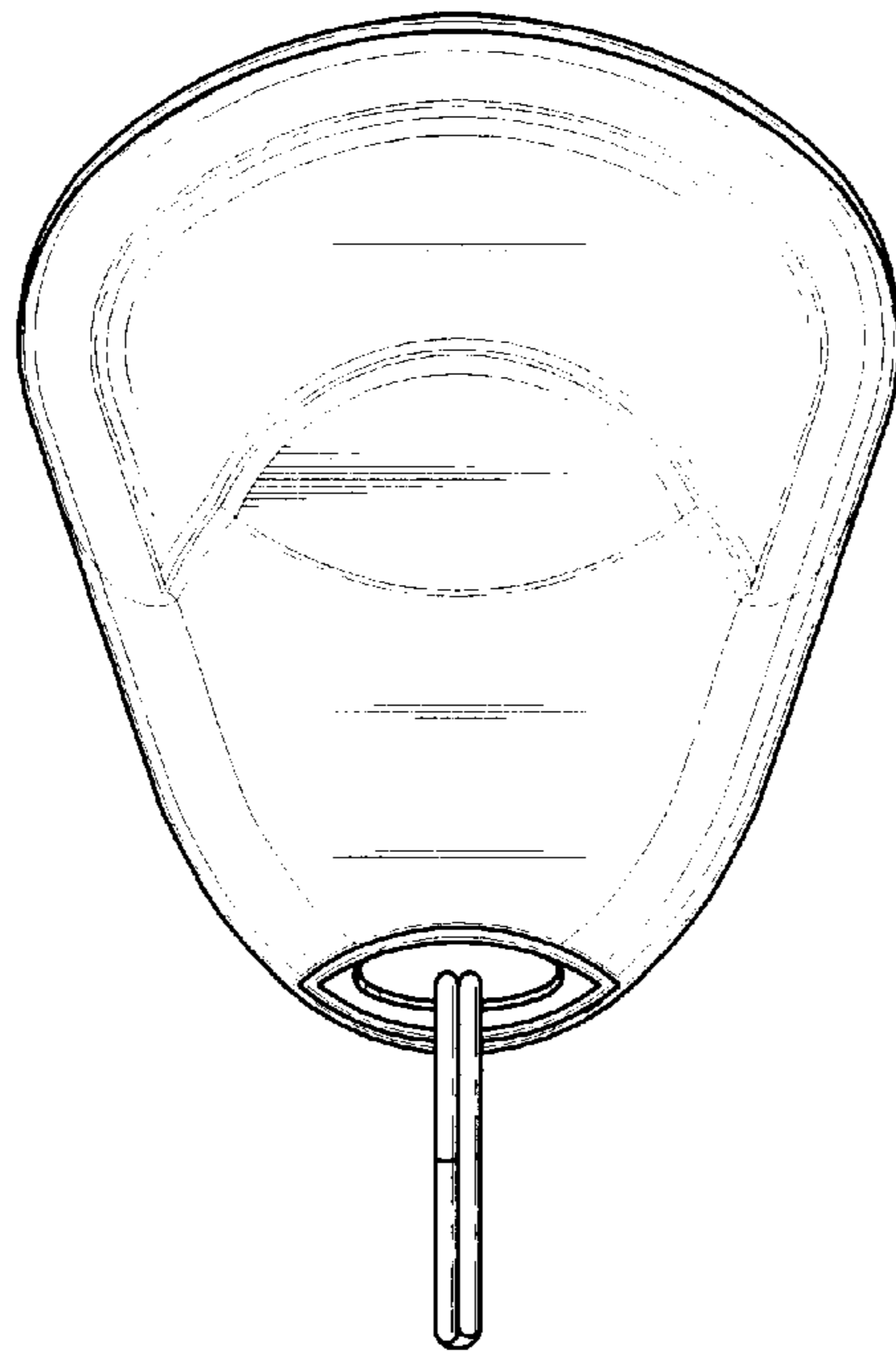


FIG. 4

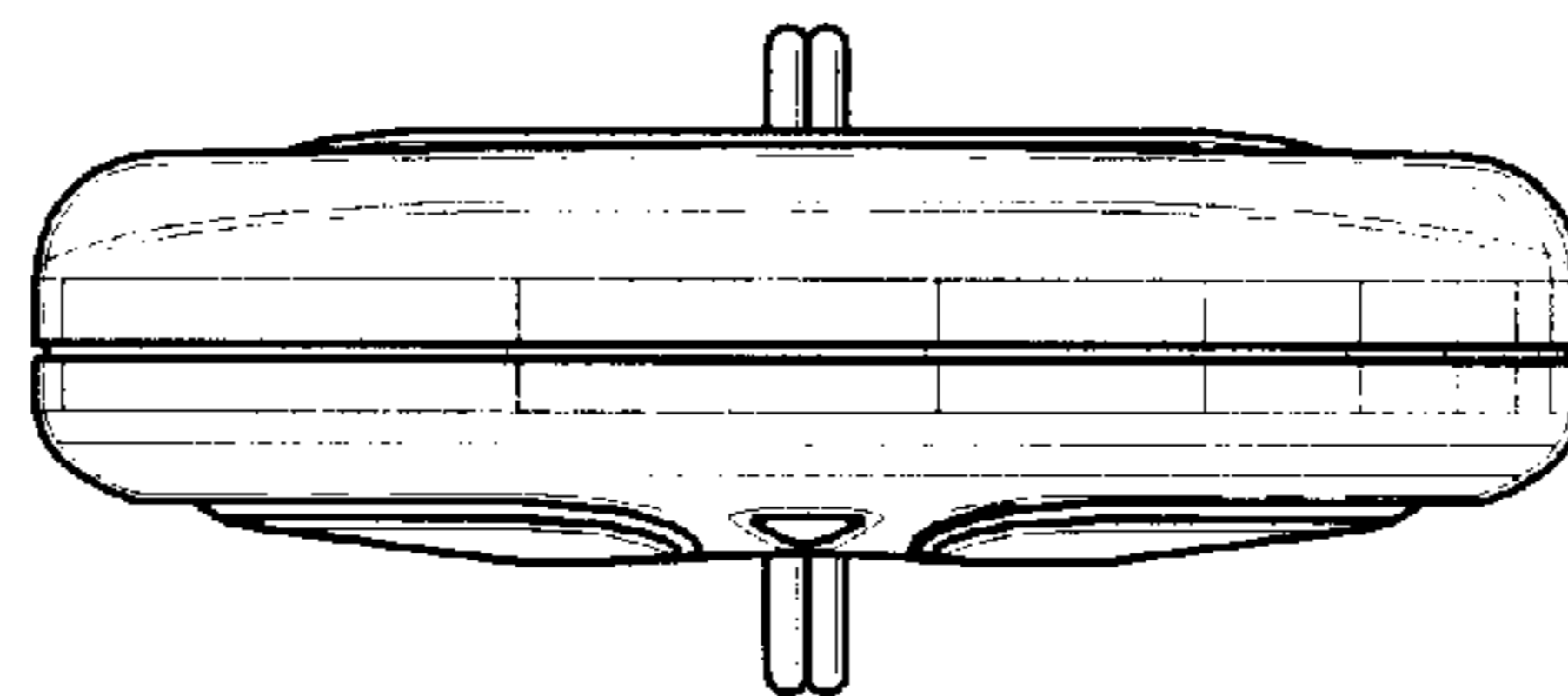


FIG. 5

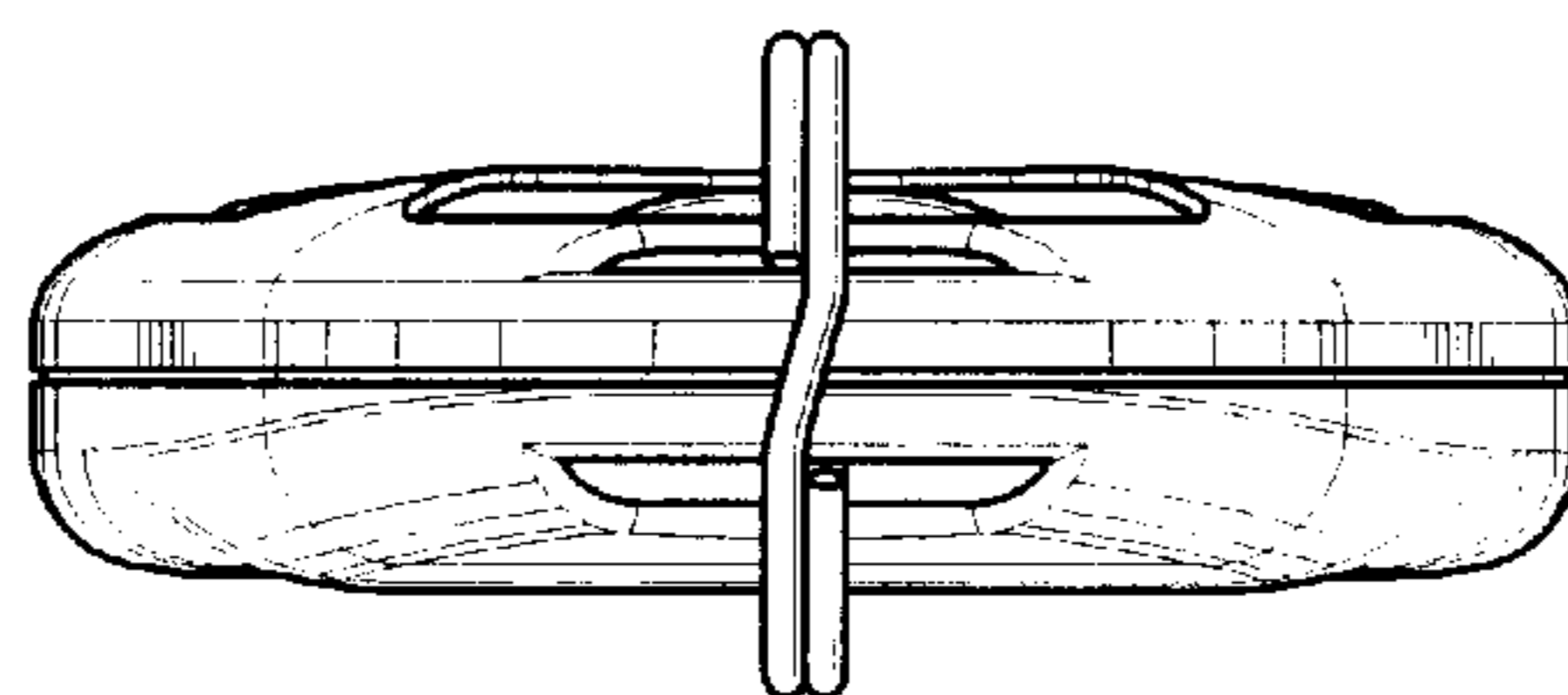


FIG. 6