

US00D507780S

(12) **United States Design Patent**
Wang

(10) **Patent No.:** **US D507,780 S**

(45) **Date of Patent:** **** Jul. 26, 2005**

(54) **ELECTRICAL CONNECTOR**

D465,767 S * 11/2002 Zhu et al. D13/147

(75) Inventor: **Eric Wang**, Taipei Hsien (TW)

* cited by examiner

(73) Assignee: **Advanced Connection Technology, Incorporated**, Taipei Hsien (TW)

Primary Examiner—Stella Reid
Assistant Examiner—Selina Sikder

(74) *Attorney, Agent, or Firm*—Baker Botts L.L.P.

(**) Term: **14 Years**

(57) **CLAIM**

(21) Appl. No.: **29/204,965**

The ornamental design for electrical connector, as shown and described.

(22) Filed: **May 7, 2004**

(51) **LOC (8) Cl.** **13-03**

(52) **U.S. Cl.** **D13/147**

(58) **Field of Search** D13/147; 439/74,
439/79, 83, 108, 181, 607-610

DESCRIPTION

FIG. 1 is a perspective view of electrical connector showing my new design;

FIG. 2 is a front elevational view thereof;

FIG. 3 is a rear elevational view thereof;

FIG. 4 is a left side elevational view thereof;

FIG. 5 is a right side elevational view thereof;

FIG. 6 is a top plan view thereof; and,

FIG. 7 is a bottom plan view thereof.

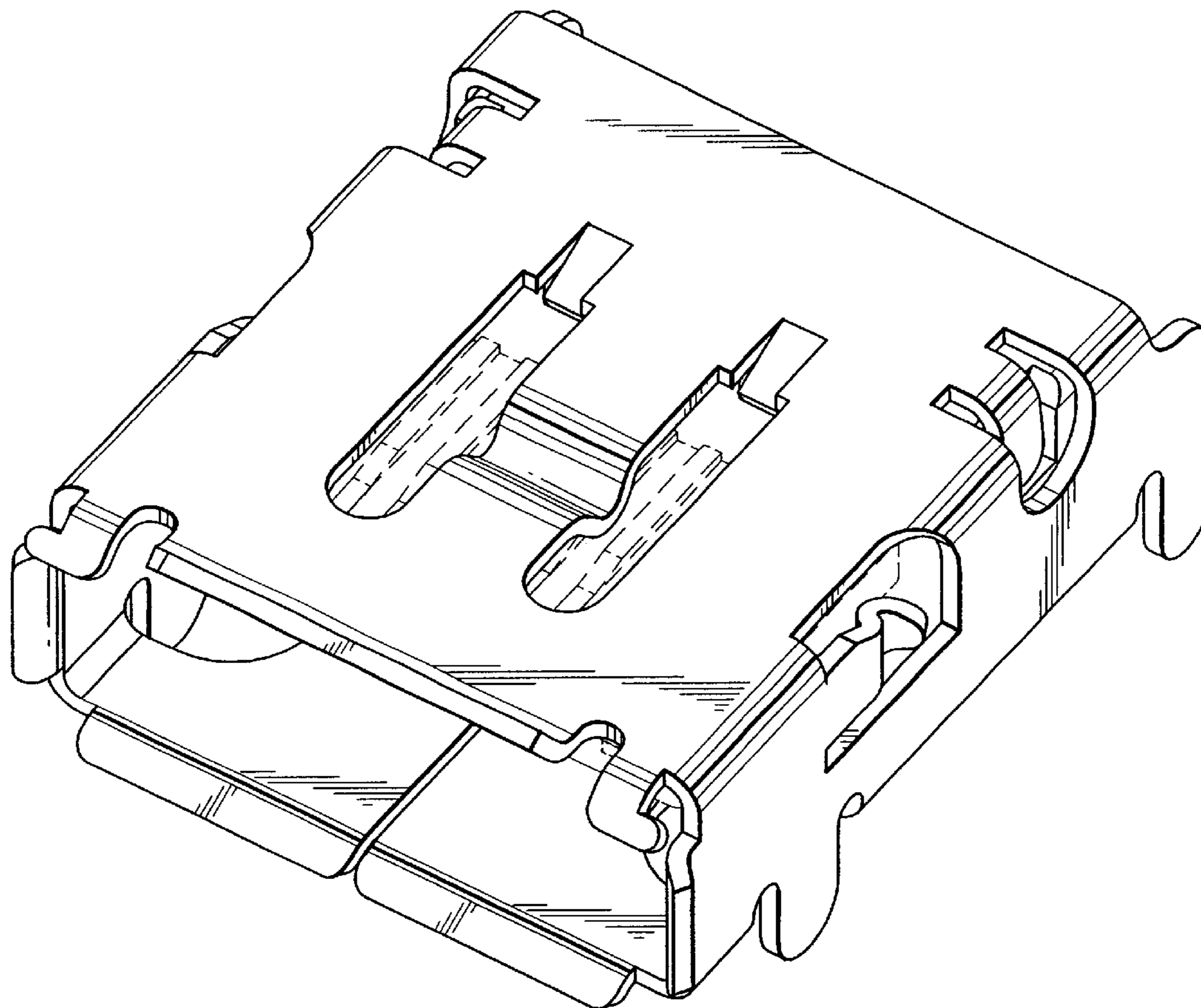
The broken line showing of the environment is for illustrative purpose only and forms no part of the claimed design.

(56) **References Cited**

U.S. PATENT DOCUMENTS

5,993,258 A	*	11/1999	Matsunuma et al.	439/607
6,007,382 A	*	12/1999	Wu	439/607
D427,975 S	*	7/2000	Zhu et al.	D13/147
D432,992 S	*	10/2000	Lok	D13/147
6,183,300 B1	*	2/2001	Belopolsky et al.	439/607
D446,773 S	*	8/2001	Yao et al.	D13/147

1 Claim, 5 Drawing Sheets



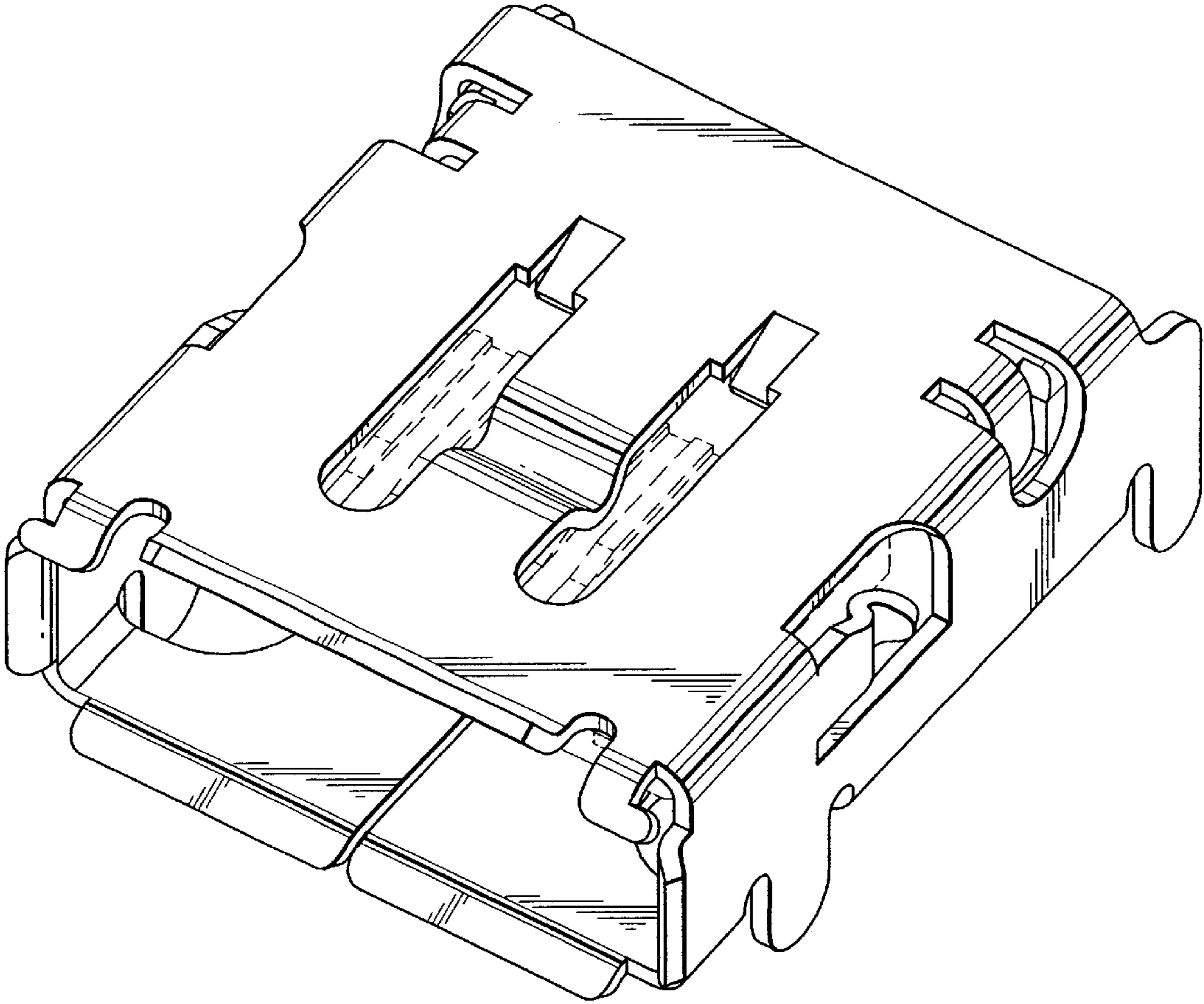


FIG. 1

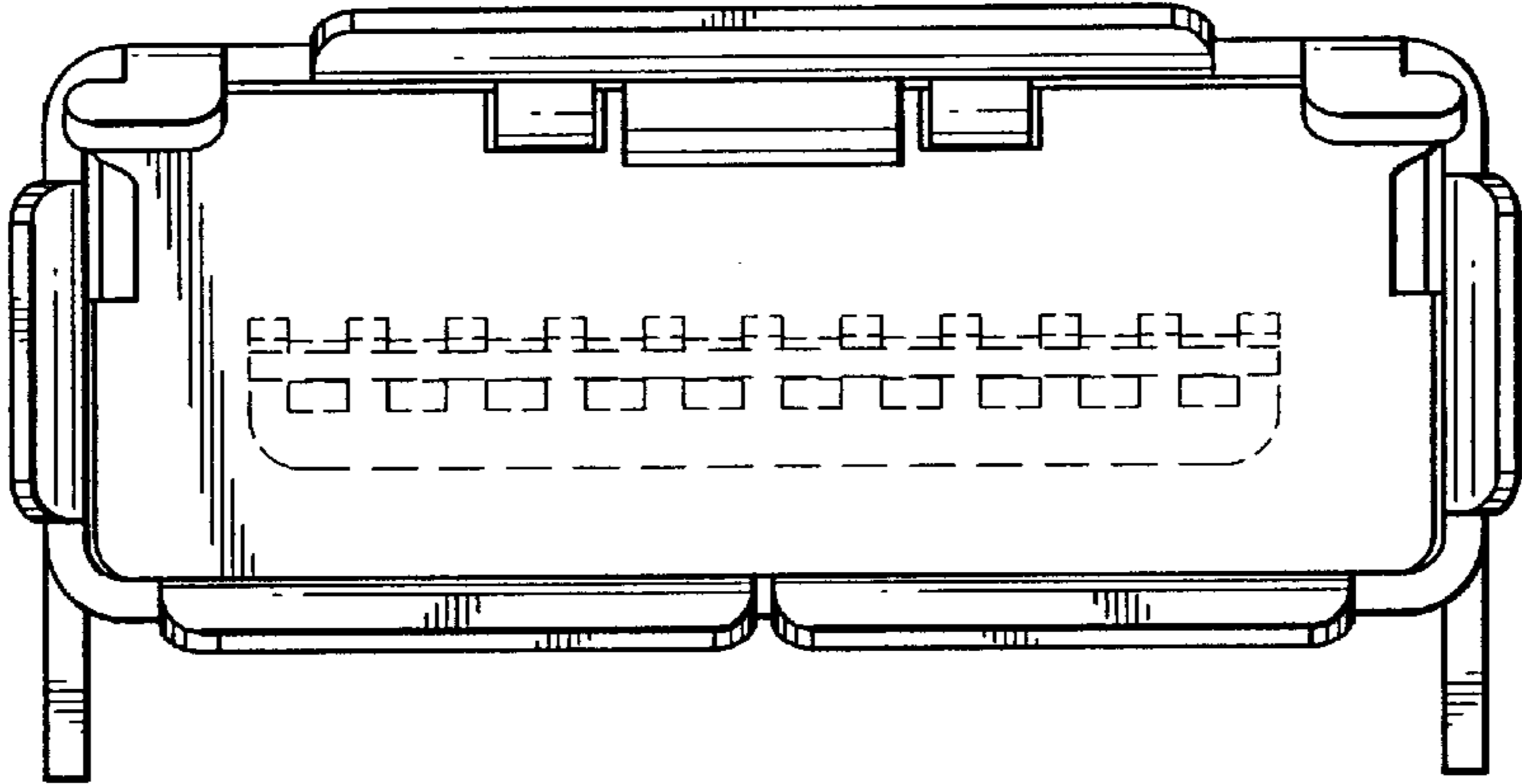


FIG. 2

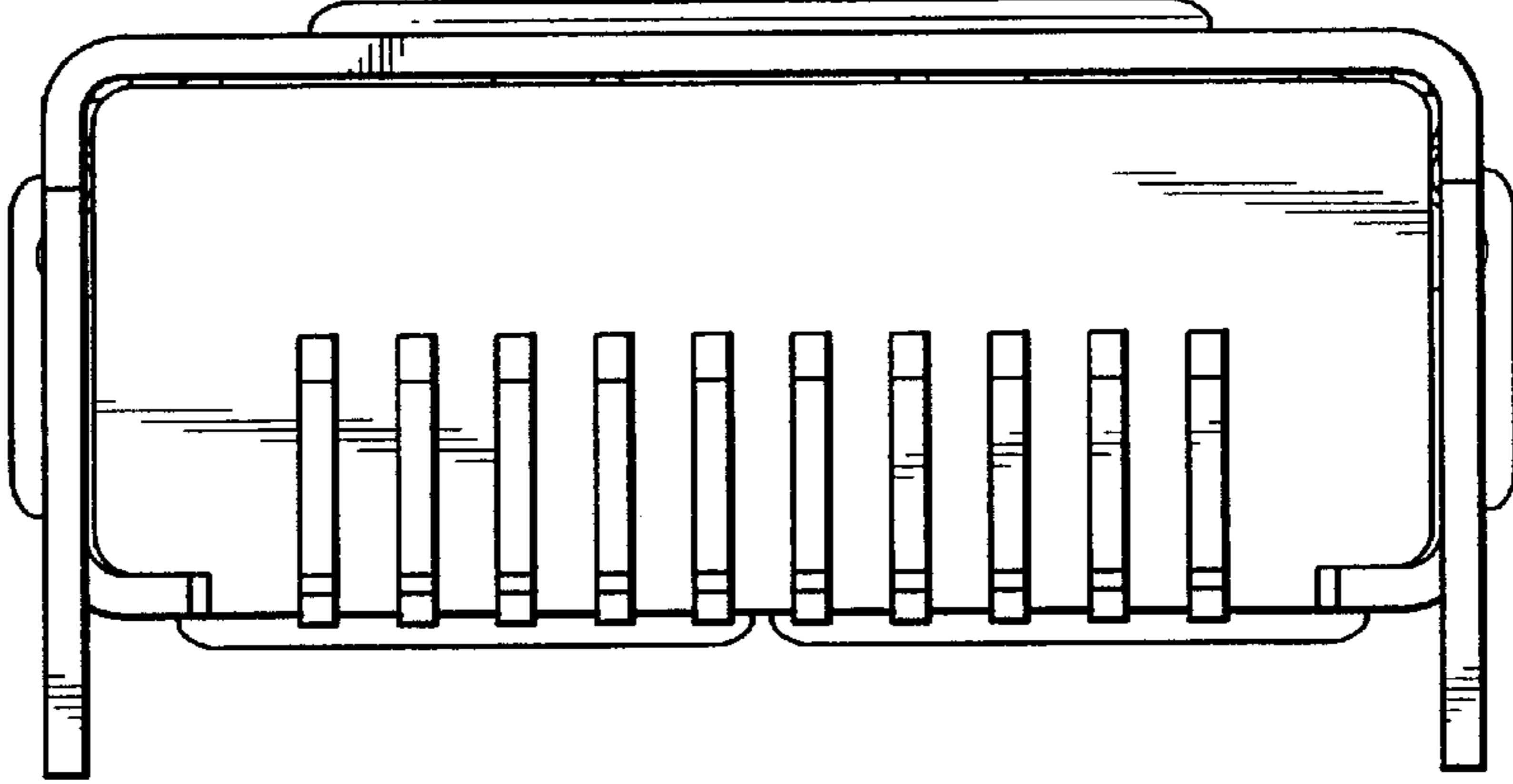


FIG. 3

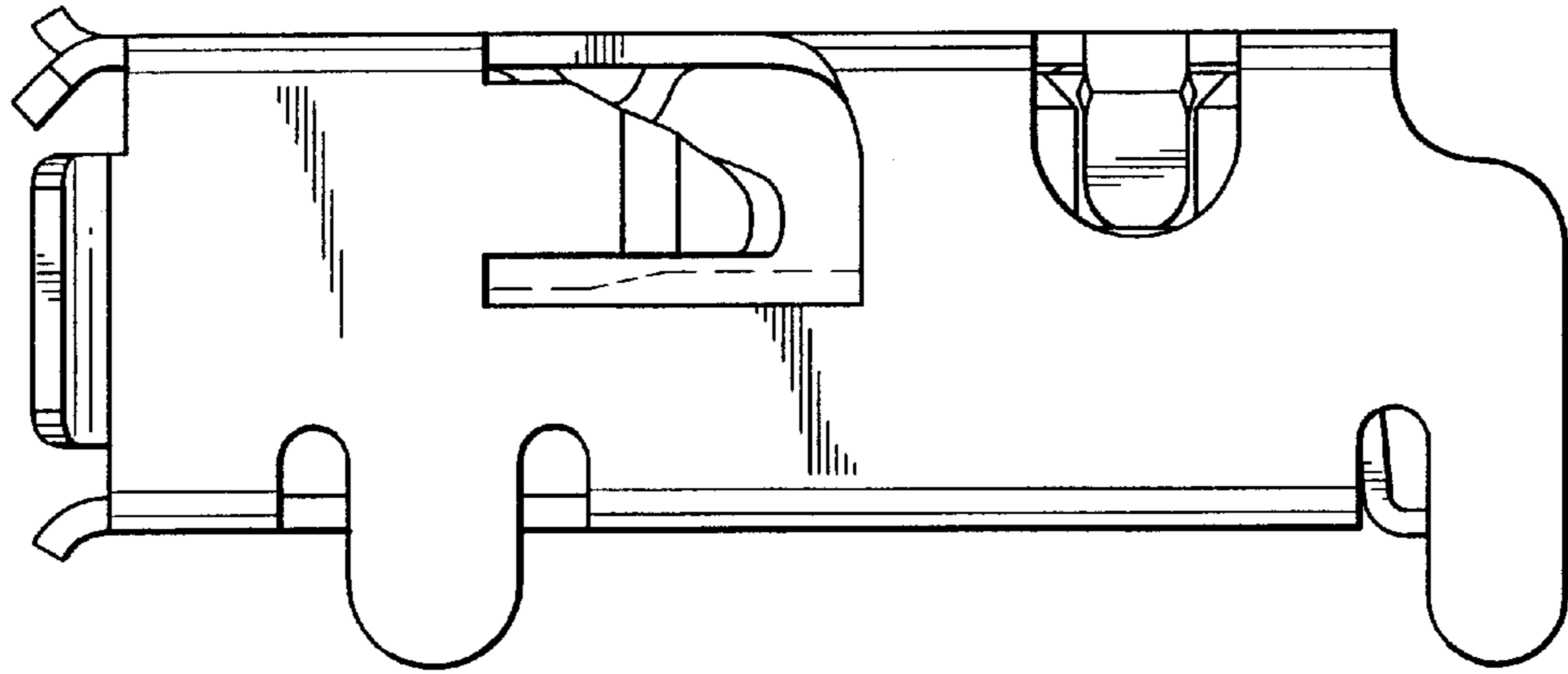


FIG. 4

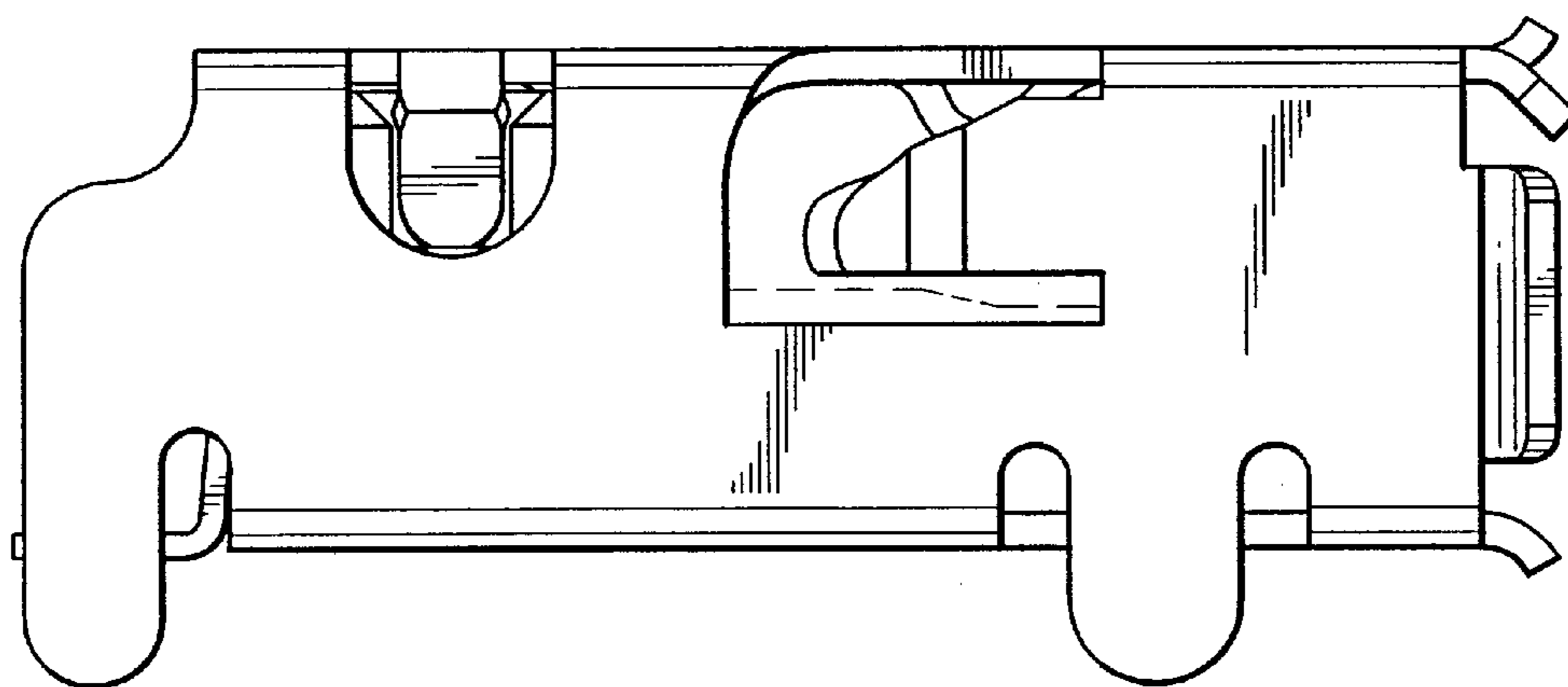


FIG. 5

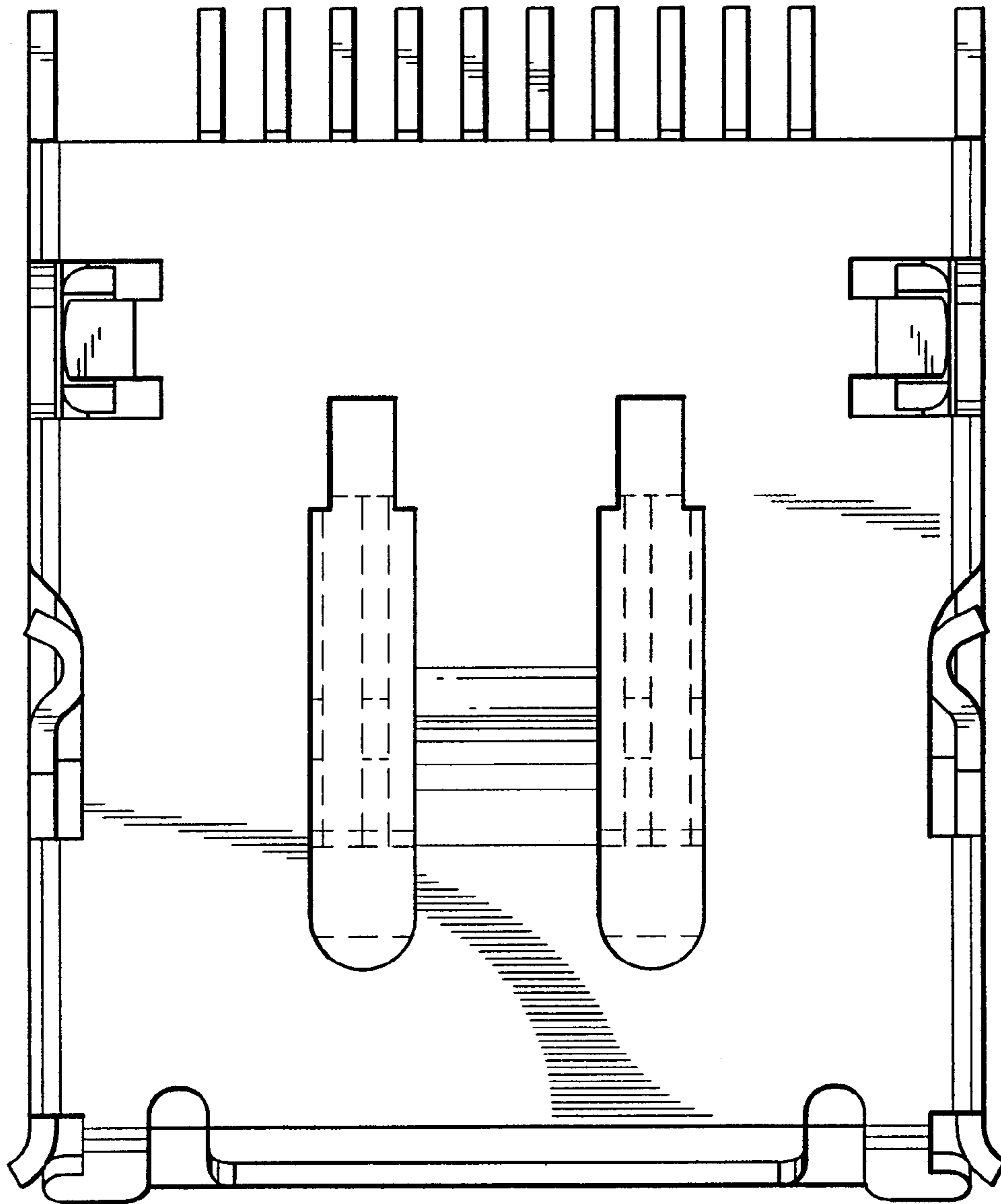


FIG. 6

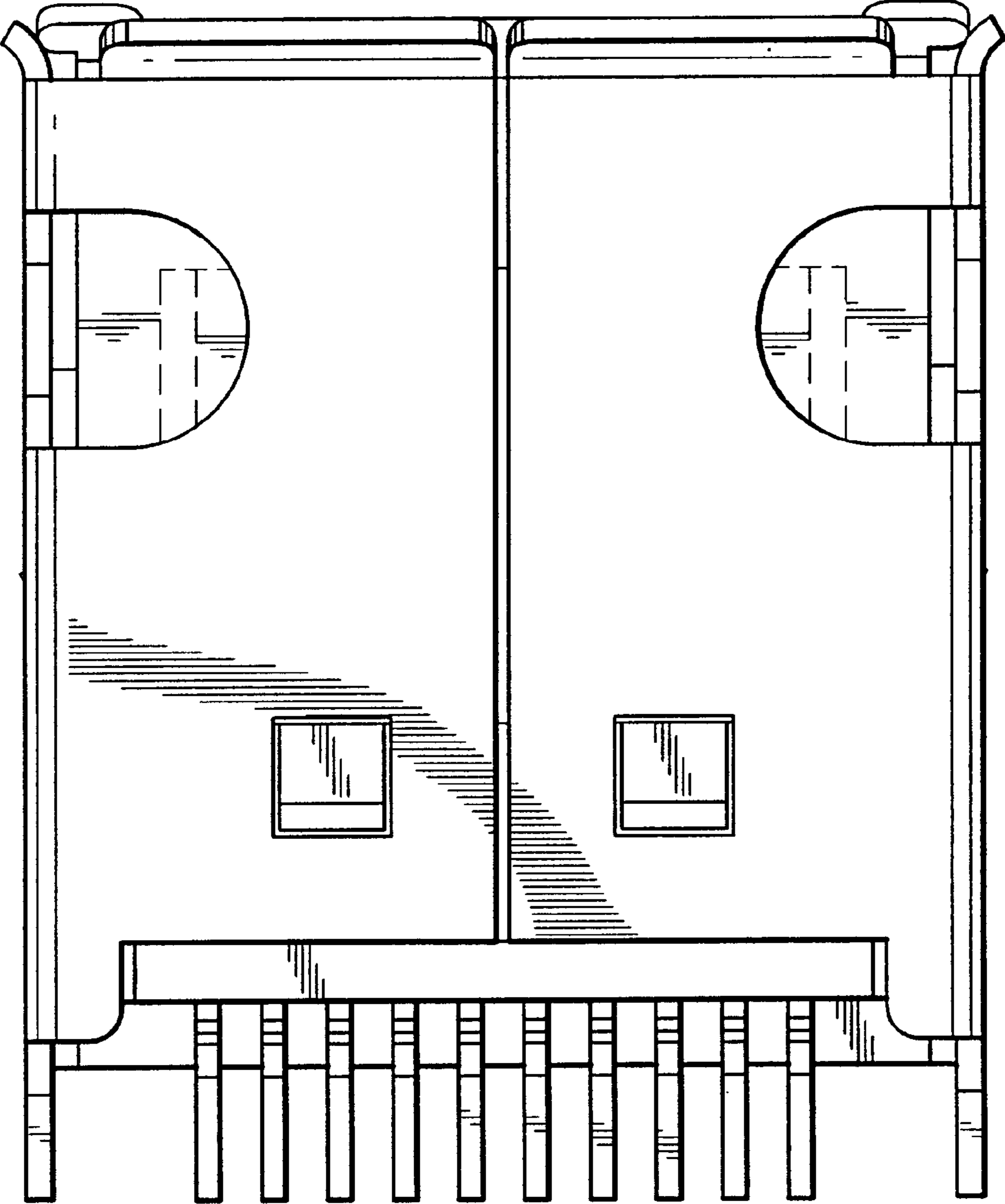


FIG. 7