

US00D507777S

(12) **United States Design Patent**  
**Klopp, III et al.**

(10) **Patent No.:** **US D507,777 S**  
(45) **Date of Patent:** **\*\* Jul. 26, 2005**

(54) **CONSOLE**

(75) Inventors: **John A. Klopp, III**, Hermosa Beach, CA (US); **Clarissa McPeck**, Pasadena, CA (US); **Maki Yamaguchi**, Tokyo (JP); **Michael Tsay**, Irvine, CA (US); **Yukio Akimoto**, Raymond, OH (US); **David W. Carter**, Cable, OH (US); **Guillermo Gonzales**, Lawndale, CA (US)

(73) Assignee: **Honda Motor Co., Ltd.** (JP)

(\*\*) Term: **14 Years**

(21) Appl. No.: **29/190,109**

(22) Filed: **Sep. 16, 2003**

(51) **LOC (8) Cl.** ..... **12-16**

(52) **U.S. Cl.** ..... **D12/415**

(58) **Field of Search** ..... D12/415, 419-425; D7/553.1-553.5, 505, 701, 601-602, 707-708, 619; 224/926-928, 42.11, 400, 539-543, 275, 536, 548; 296/37.1-37.8, 37.12, 37.16

(56) **References Cited**

**U.S. PATENT DOCUMENTS**

- D317,674 S \* 6/1991 Smith ..... D12/419
- D359,266 S \* 6/1995 Karp et al. .... D12/419
- D373,987 S \* 9/1996 Diem ..... D12/419
- D375,480 S \* 11/1996 Smith ..... D12/419
- D391,223 S \* 2/1998 Lucas, Jr. .... D12/424
- D411,980 S \* 7/1999 Sacco et al. .... D12/425

- D430,535 S \* 9/2000 Smith ..... D12/419
- D432,076 S \* 10/2000 Stickles et al. .... D12/419
- D444,120 S \* 6/2001 Smith ..... D12/419
- D459,288 S \* 6/2002 Tsay ..... D12/415
- D484,454 S \* 12/2003 Siegert et al. .... D12/415
- D490,044 S \* 5/2004 Smith ..... D12/419

\* cited by examiner

*Primary Examiner*—Stacia Cadmus

(74) *Attorney, Agent, or Firm*—Sterne, Kessler, Goldstein & Fox, PLLC

(57) **CLAIM**

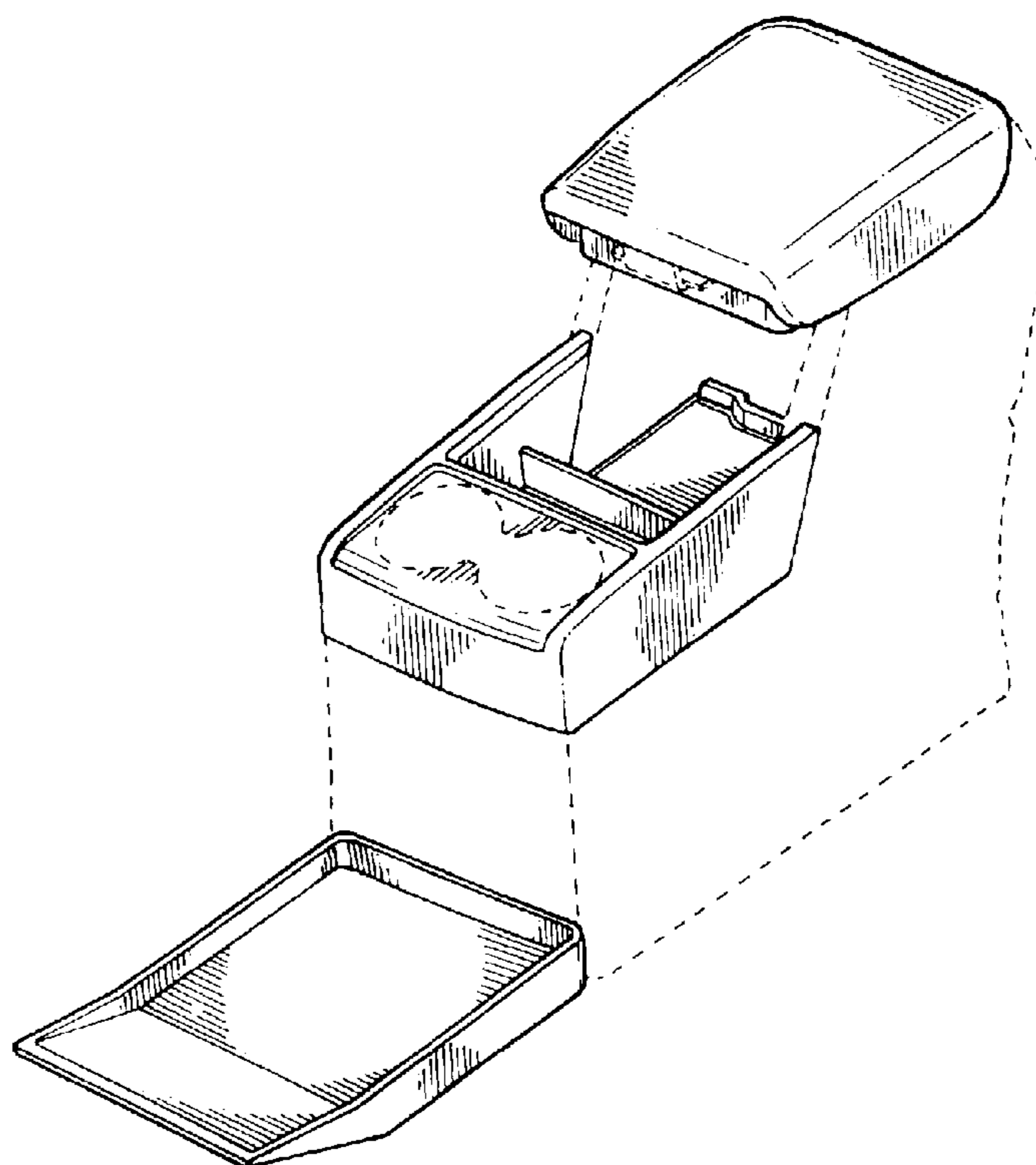
The ornamental design for a console, as shown and described.

**DESCRIPTION**

FIG. 1 is left front perspective view of a console with the tray and armrest in a closed position showing a new design; FIG. 2 is a right rear perspective view thereof; FIG. 3 is a top plan view thereof with the armrest and upper compartment in a raised position; FIG. 4 is a left front perspective view thereof with the tray in the extended position and the armrest in a raised position exposing the upper compartment; FIG. 5 is a right rear perspective view thereof; and, FIG. 6 is a top plan view thereof with the armrest and upper compartment in a raised position.

The broken line showing a portion of the console in FIGS. 1-6 is environmental only and forms no part of the claimed design.

**1 Claim, 6 Drawing Sheets**



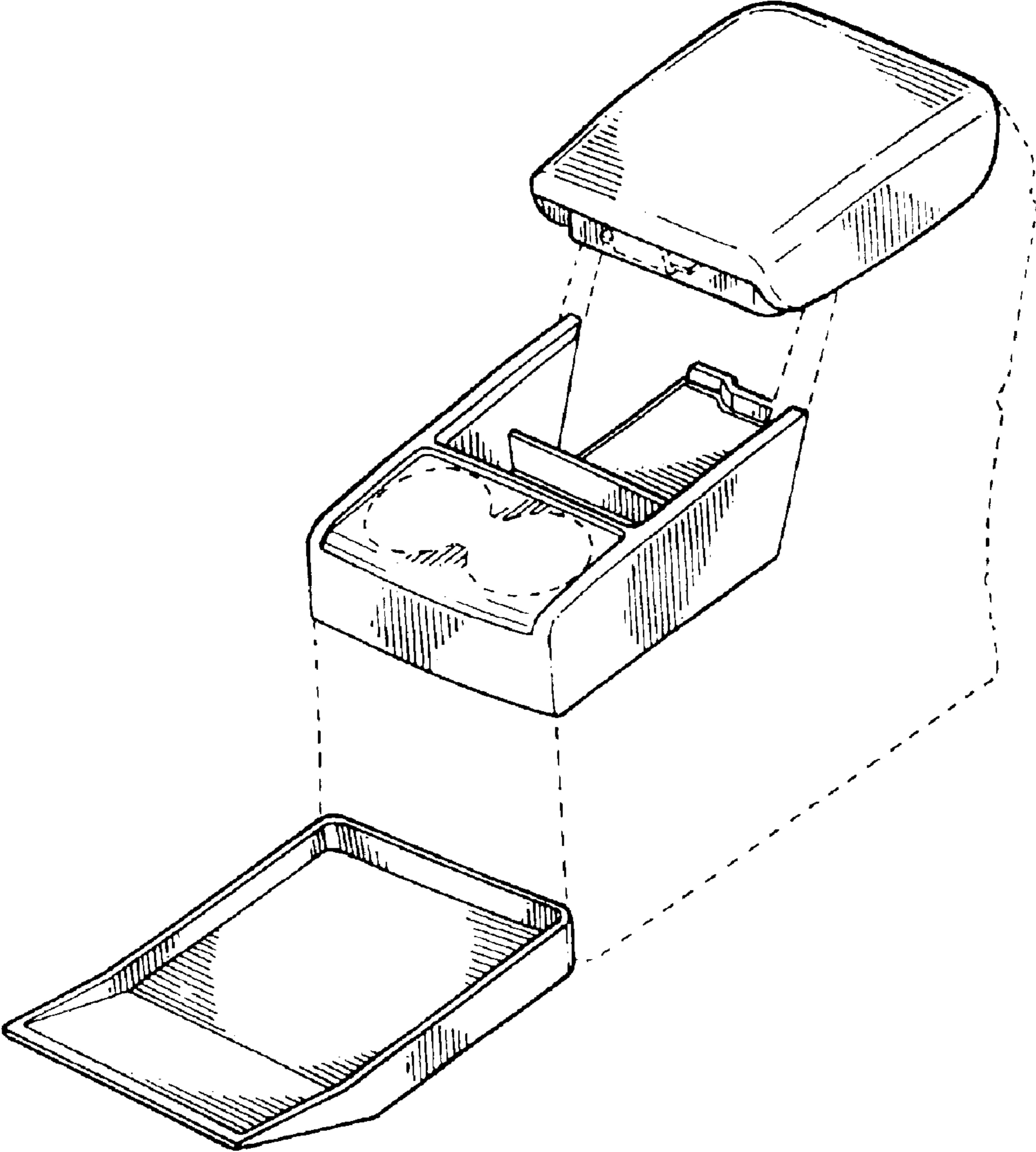


FIG. 1

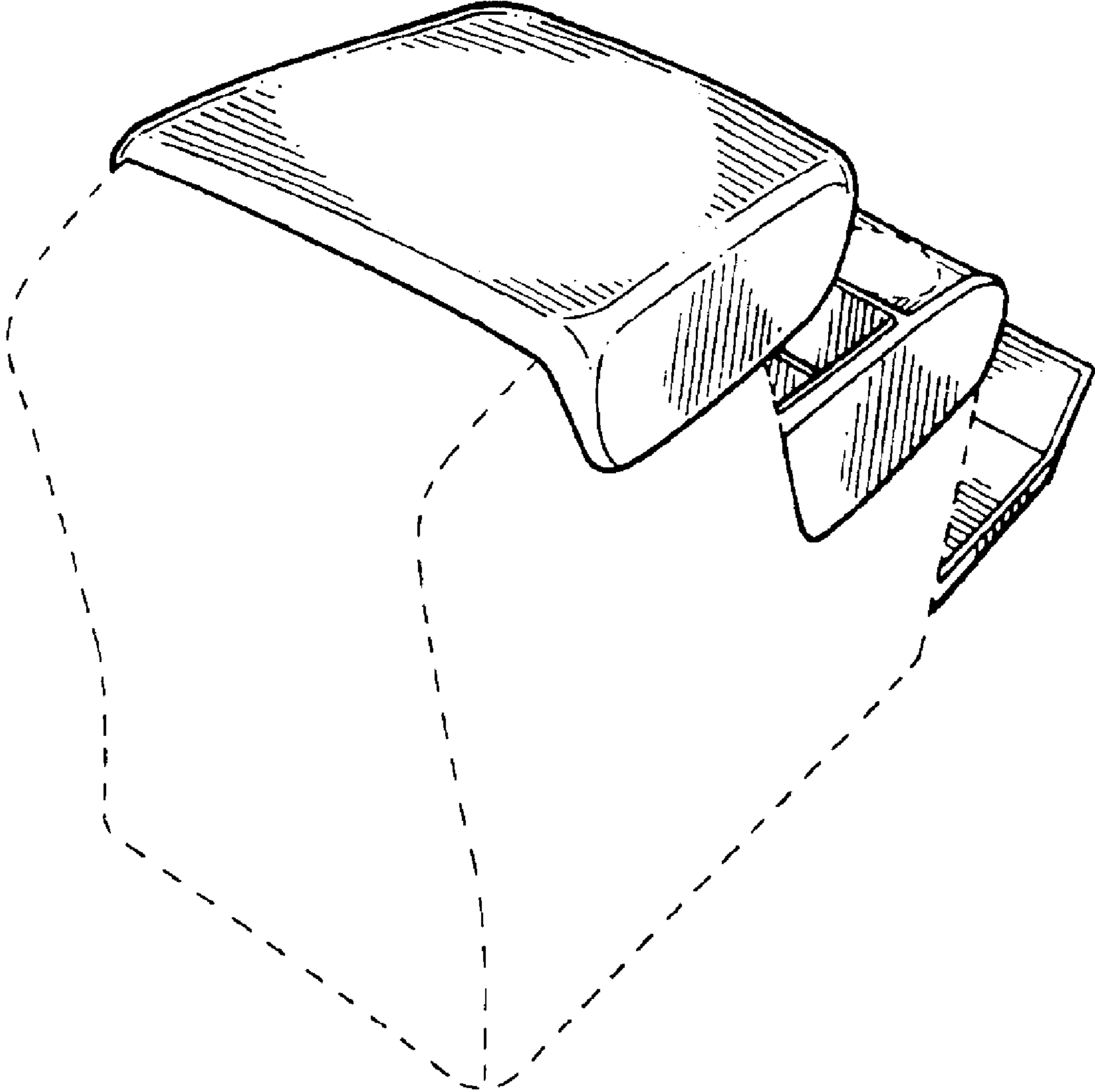


FIG. 2

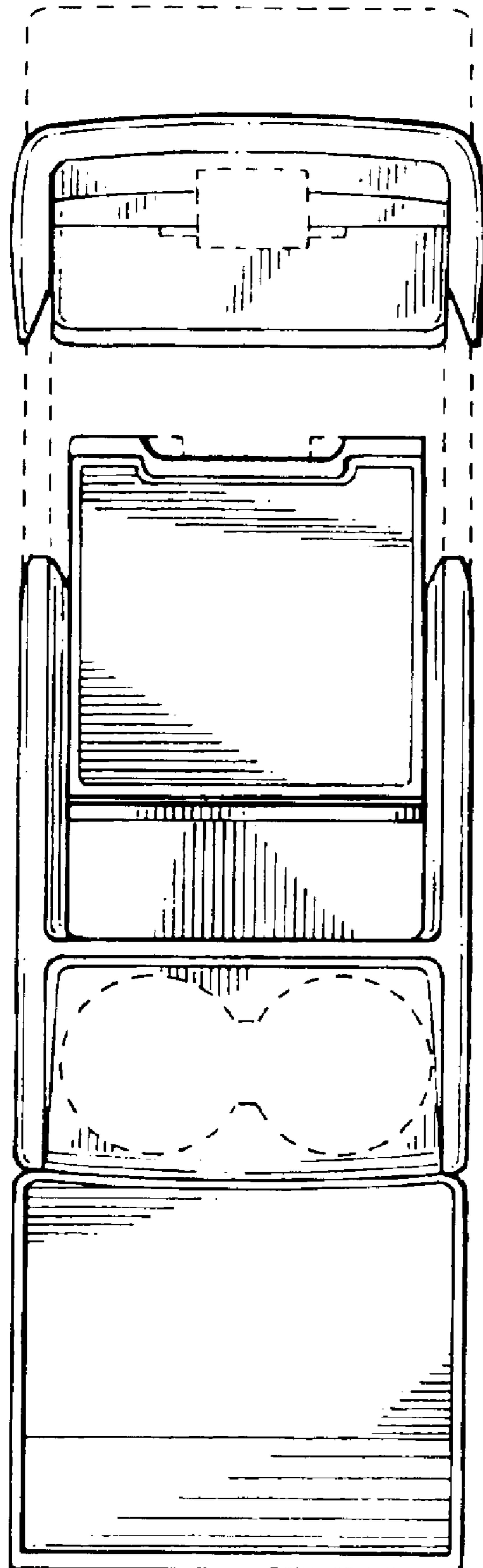


FIG. 3

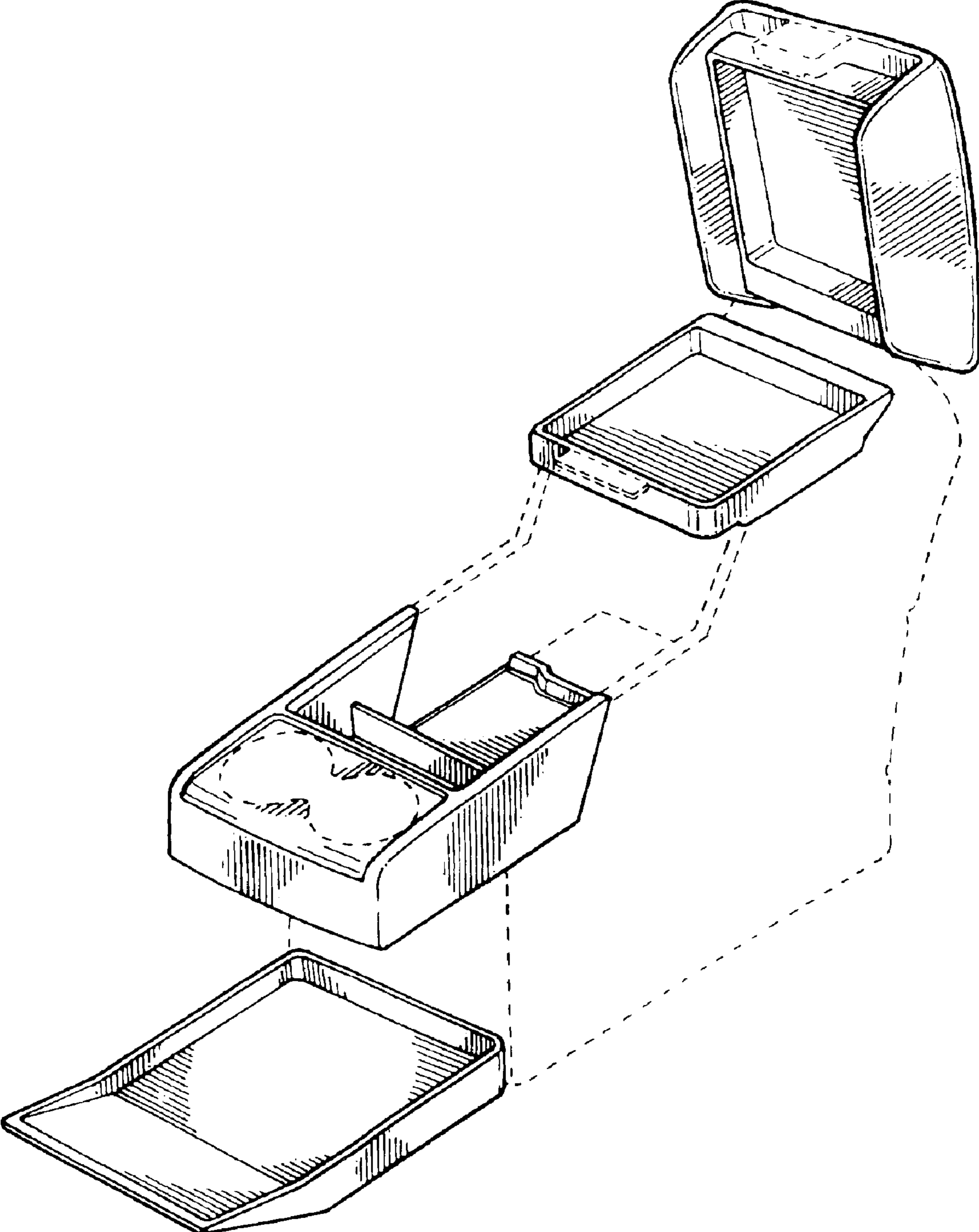


FIG.4

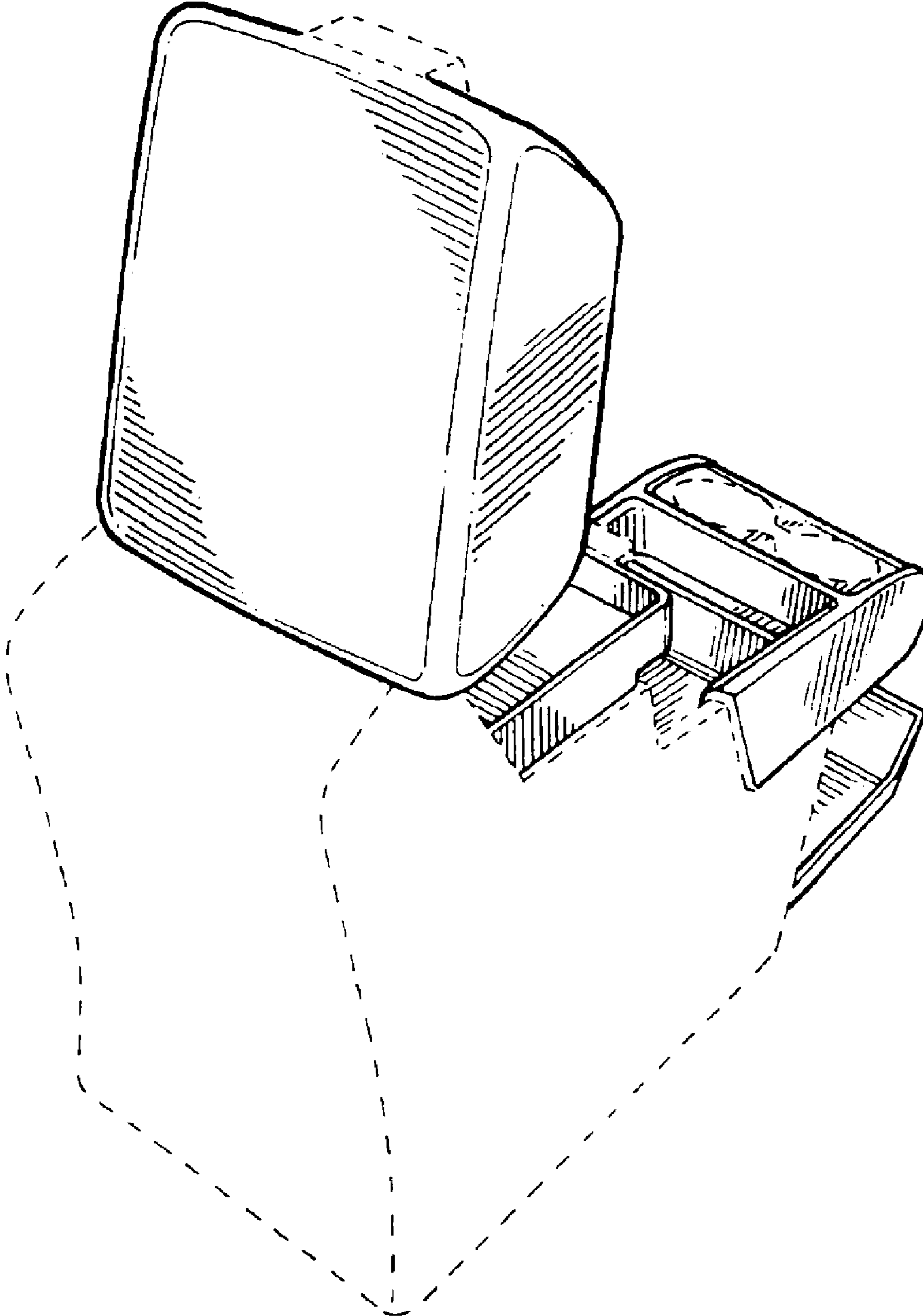


FIG. 5

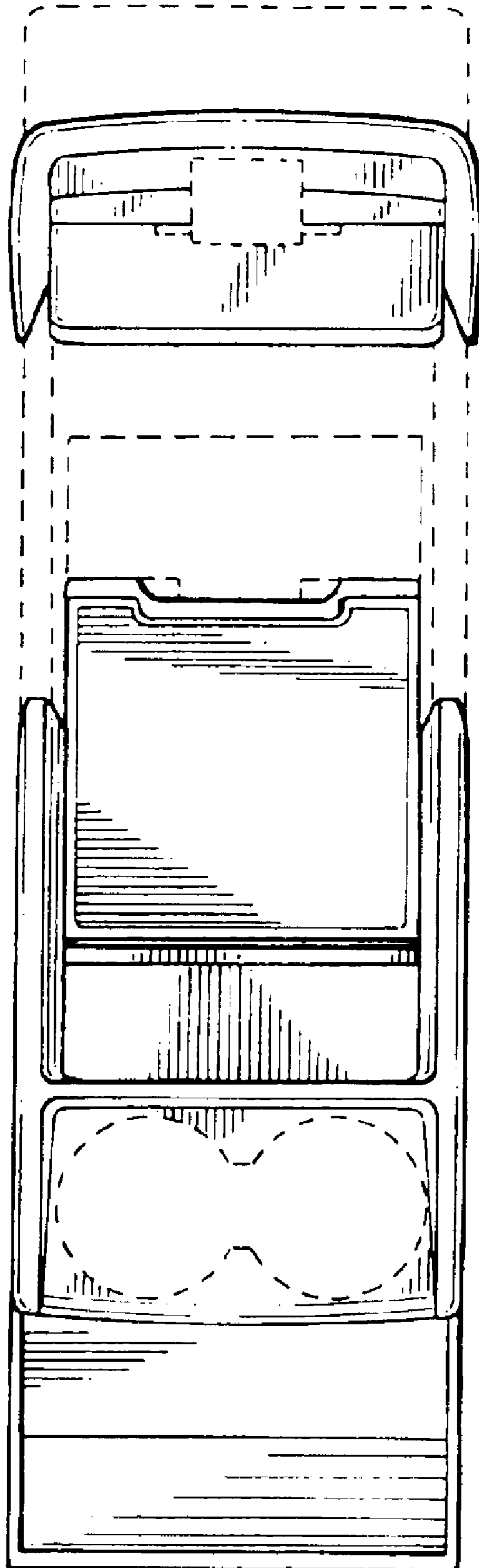


FIG. 6