

US00D507775S

(12) **United States Design Patent**
Pfeiffer

(10) **Patent No.:** **US D507,775 S**

(45) **Date of Patent:** **** Jul. 26, 2005**

(54) **FRONT FACE OF A VEHICLE WHEEL**

(75) **Inventor:** **Peter Pfeiffer**, Boeblingen (DE)

(73) **Assignee:** **DaimlerChrysler AG**, Stuttgart (DE)

(**) **Term:** **14 Years**

(21) **Appl. No.:** **29/190,715**

(22) **Filed:** **Sep. 26, 2003**

(30) **Foreign Application Priority Data**

Mar. 26, 2003 (DE) 4 03 02 464

(51) **LOC (8) Cl.** **12-16**

(52) **U.S. Cl.** **D12/211**

(58) **Field of Search** D12/204-213;
301/37.101, 64.101, 65

(56) **References Cited**

U.S. PATENT DOCUMENTS

D248,390 S	*	7/1978	Lester	D12/205
D337,563 S	*	7/1993	Boselli	D12/209
D388,047 S	*	12/1997	Pfeiffer et al.	D12/211
D407,681 S	*	4/1999	Sacco et al.	D12/209
D409,968 S	*	5/1999	Goplen	D12/211
D418,473 S	*	1/2000	Chung	D12/211
D424,500 S	*	5/2000	Johnson	D12/209
D428,380 S	*	7/2000	Chinellato	D12/211
D447,106 S	*	8/2001	Chung	D12/209
D448,712 S	*	10/2001	Laengerer	D12/209
D450,030 S	*	11/2001	Pfeiffer	D12/211

D453,492 S	*	2/2002	Laengerer	D12/209
D454,825 S	*	3/2002	Amatino	D12/211
D471,144 S	*	3/2003	Pfeiffer	D12/209
D471,852 S	*	3/2003	Pfeiffer et al.	D12/211
D476,284 S	*	6/2003	Pfeiffer et al.	D12/211
D479,177 S	*	9/2003	Nordmann	D12/211
D481,344 S	*	10/2003	Mattin et al.	D12/211
D484,446 S	*	12/2003	Pfeiffer et al.	D12/211
D494,523 S	*	8/2004	Koenigsberg	D12/209
D500,003 S	*	12/2004	Guevara	D12/211

* cited by examiner

Primary Examiner—Stacia Cadmus

(74) *Attorney, Agent, or Firm*—Crowell & Moring LLP

(57) **CLAIM**

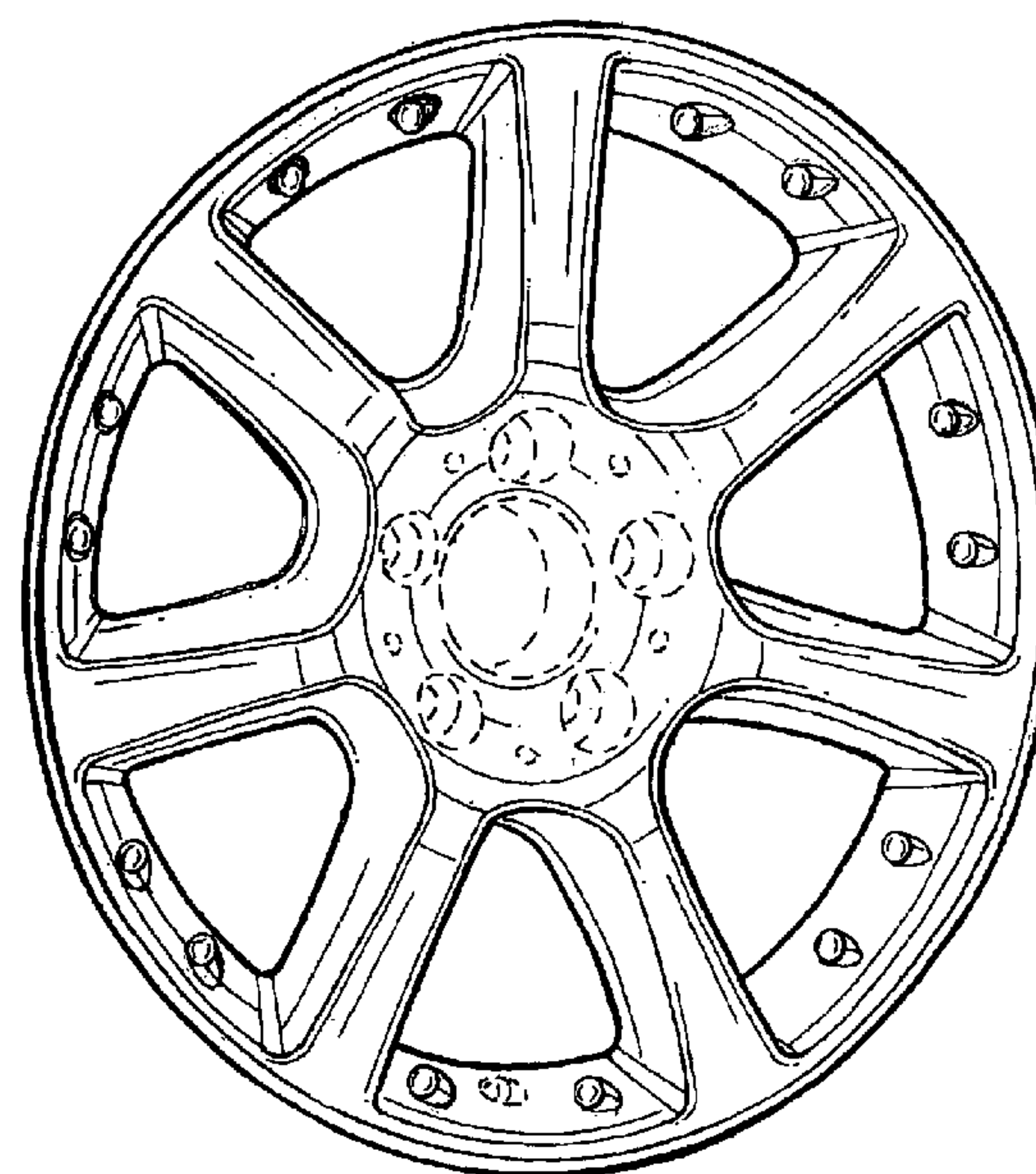
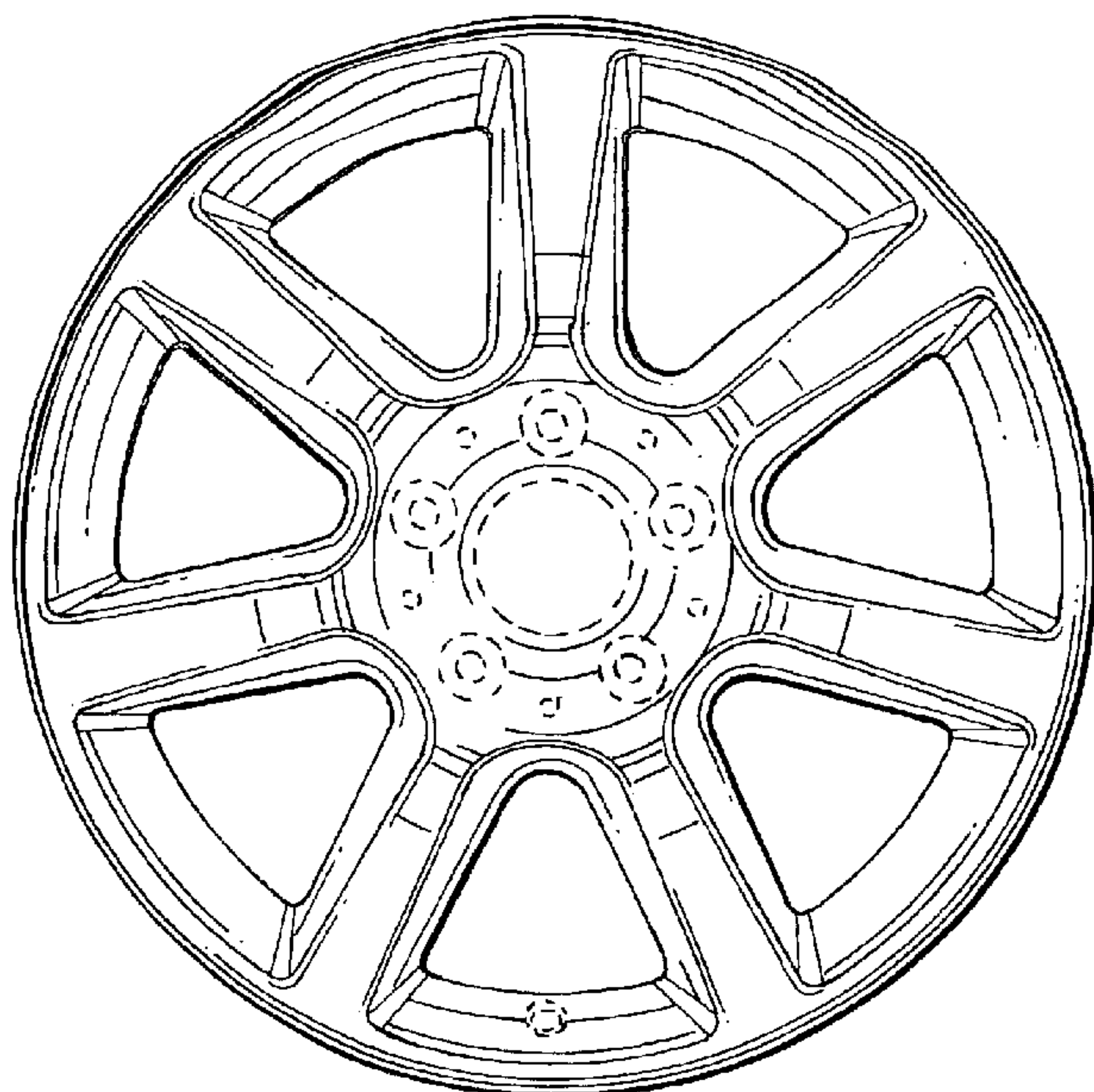
The ornamental design for a front face of a vehicle wheel, as shown and described.

DESCRIPTION

FIG. 1 is a front view of a first embodiment of a front face of a vehicle wheel according to my novel design; FIG. 2 is a perspective view of the first embodiment of the front face of a vehicle wheel according to my novel design; FIG. 3 is a front view of a second embodiment of the front face of a vehicle wheel according to my novel design; and, FIG. 4 is a perspective view of the second embodiment of the front face of a vehicle wheel according to my novel design.

The broken lines are for illustrative purposes only and form no part of the claimed design.

1 Claim, 2 Drawing Sheets



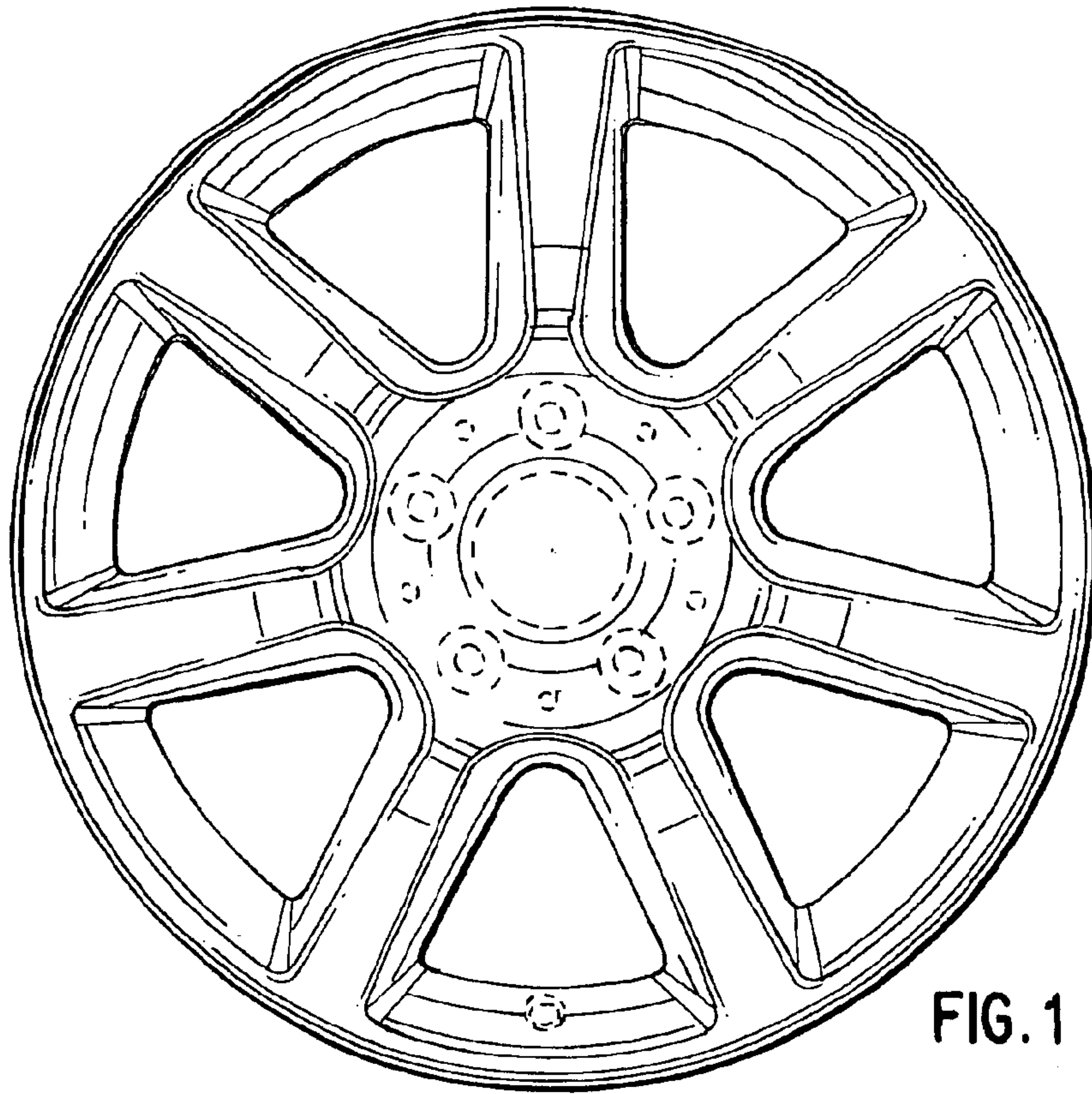


FIG. 1

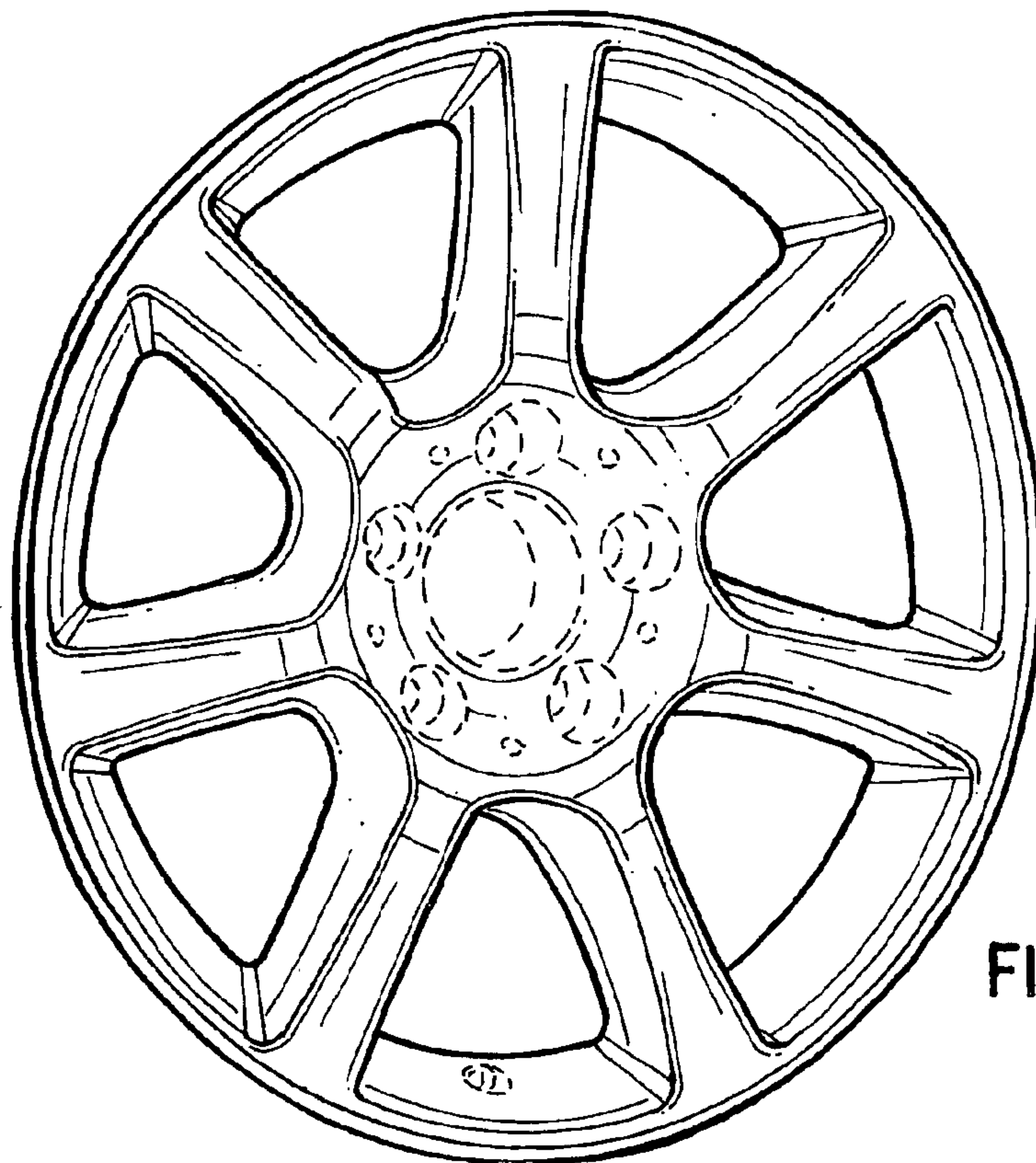


FIG. 2

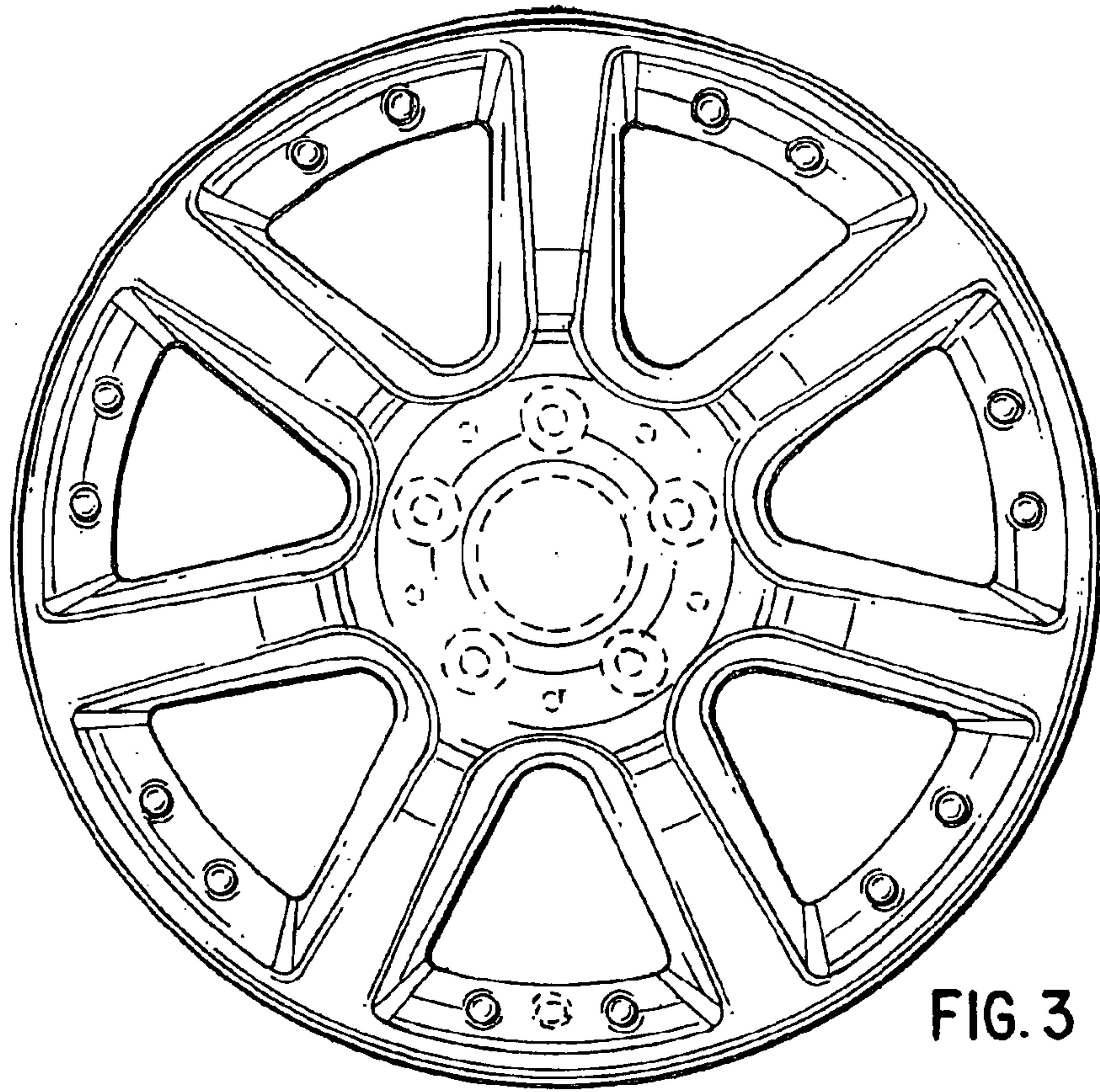


FIG. 3

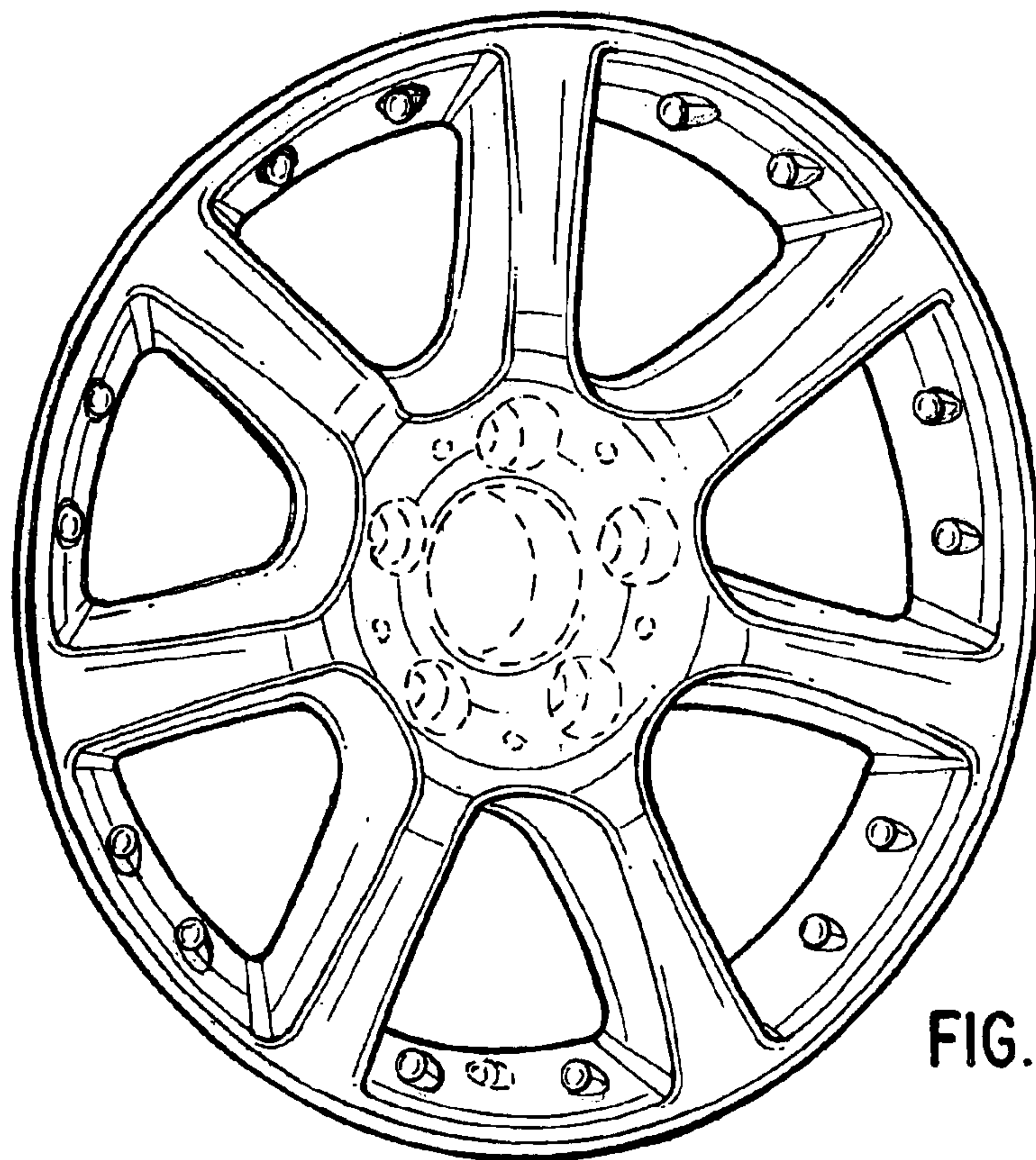


FIG. 4