

US00D507774S

(12) **United States Design Patent**
Calderone

(10) **Patent No.: US D507,774 S**

(45) **Date of Patent: ** Jul. 26, 2005**

(54) **WHEEL**

(75) **Inventor: Jose Calderone, Bronx, NY (US)**

(73) **Assignee: Donz Wheelz Corporation, Bronx, NY (US)**

(**) **Term: 14 Years**

(21) **Appl. No.: 29/189,887**

(22) **Filed: Sep. 12, 2003**

(51) **LOC (8) Cl. 12-16**

(52) **U.S. Cl. D12/209**

(58) **Field of Search D12/204-213;
301/37.101, 64.101, 65**

(56) **References Cited**

U.S. PATENT DOCUMENTS

D432,972 S	*	10/2000	Chung	D12/209
D436,567 S	*	1/2001	Takechi	D12/209
D456,331 S	*	4/2002	Chung	D12/209
D457,849 S	*	5/2002	Kataoka	D12/209
D458,572 S	*	6/2002	Fitzgerald	D12/209
D460,037 S	*	7/2002	Takechi	D12/211
D461,154 S	*	8/2002	Kataoka	D12/209
D461,155 S	*	8/2002	Takechi	D12/209

D467,857 S	*	12/2002	Chung	D12/209
D471,500 S	*	3/2003	Kataoka	D12/209
D472,864 S	*	4/2003	Kataoka	D12/209
D475,337 S	*	6/2003	Kataoka	D12/209
D477,264 S	*	7/2003	Marji	D12/209
D478,855 S	*	8/2003	Kataoka	D12/209
D480,346 S	*	10/2003	Kataoka	D12/209
D481,348 S	*	10/2003	Kang	D12/211
D485,796 S	*	1/2004	Foose	D12/209
D489,308 S	*	5/2004	Tirado	D12/209

* cited by examiner

Primary Examiner—Stacia Cadmus

(74) *Attorney, Agent, or Firm*—Park & Sutton LLP; John K. Park

(57) **CLAIM**

The ornamental design for a wheel, as shown and described.

DESCRIPTION

FIG. 1 is a perspective view of a wheel showing my new design; and

FIG. 2 is a front elevational view of FIG. 1.

The broken lines in FIG. 1 are for illustration purpose only and therefore establish no part of the claimed design.

1 Claim, 2 Drawing Sheets

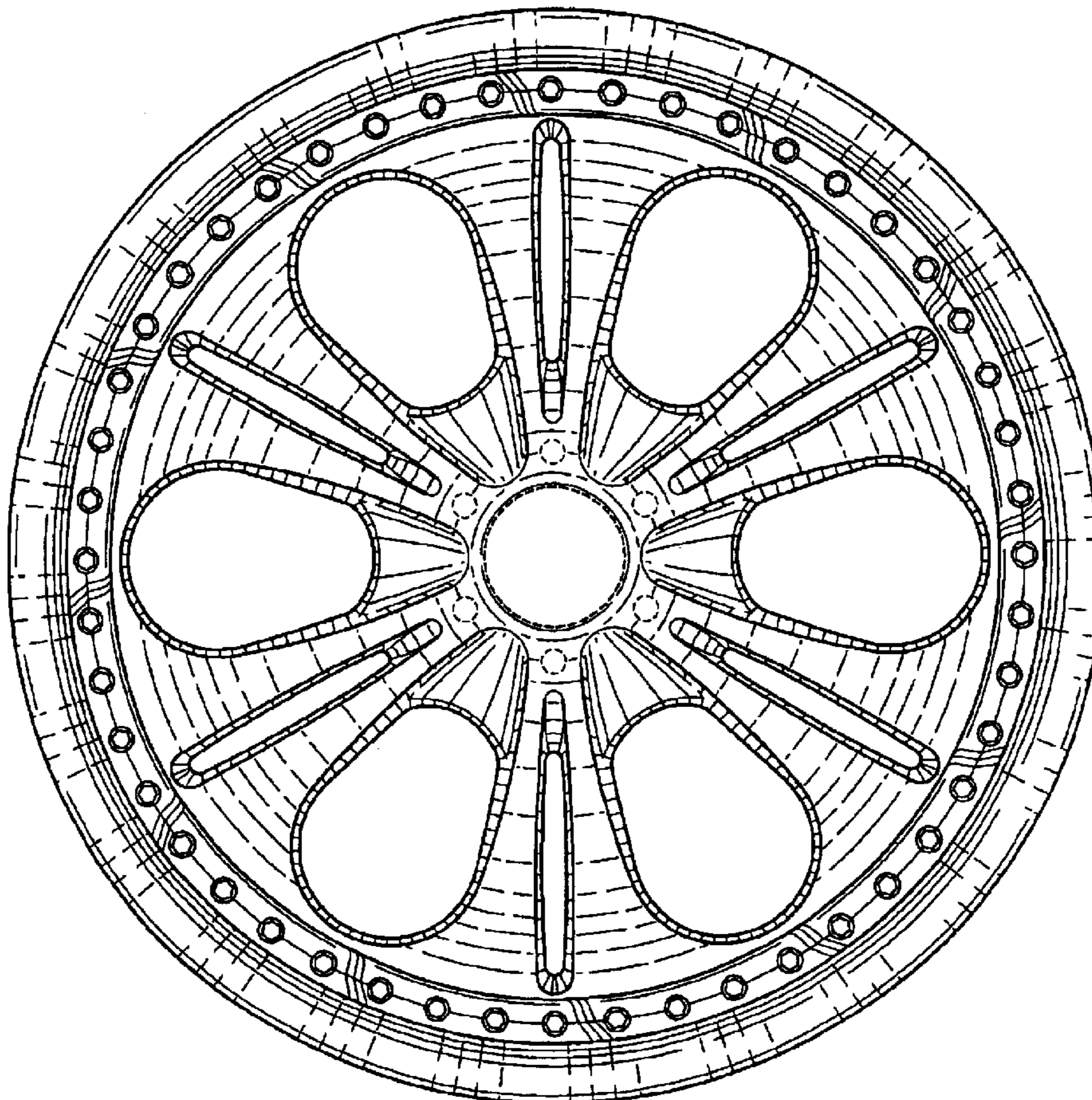


FIG. 1

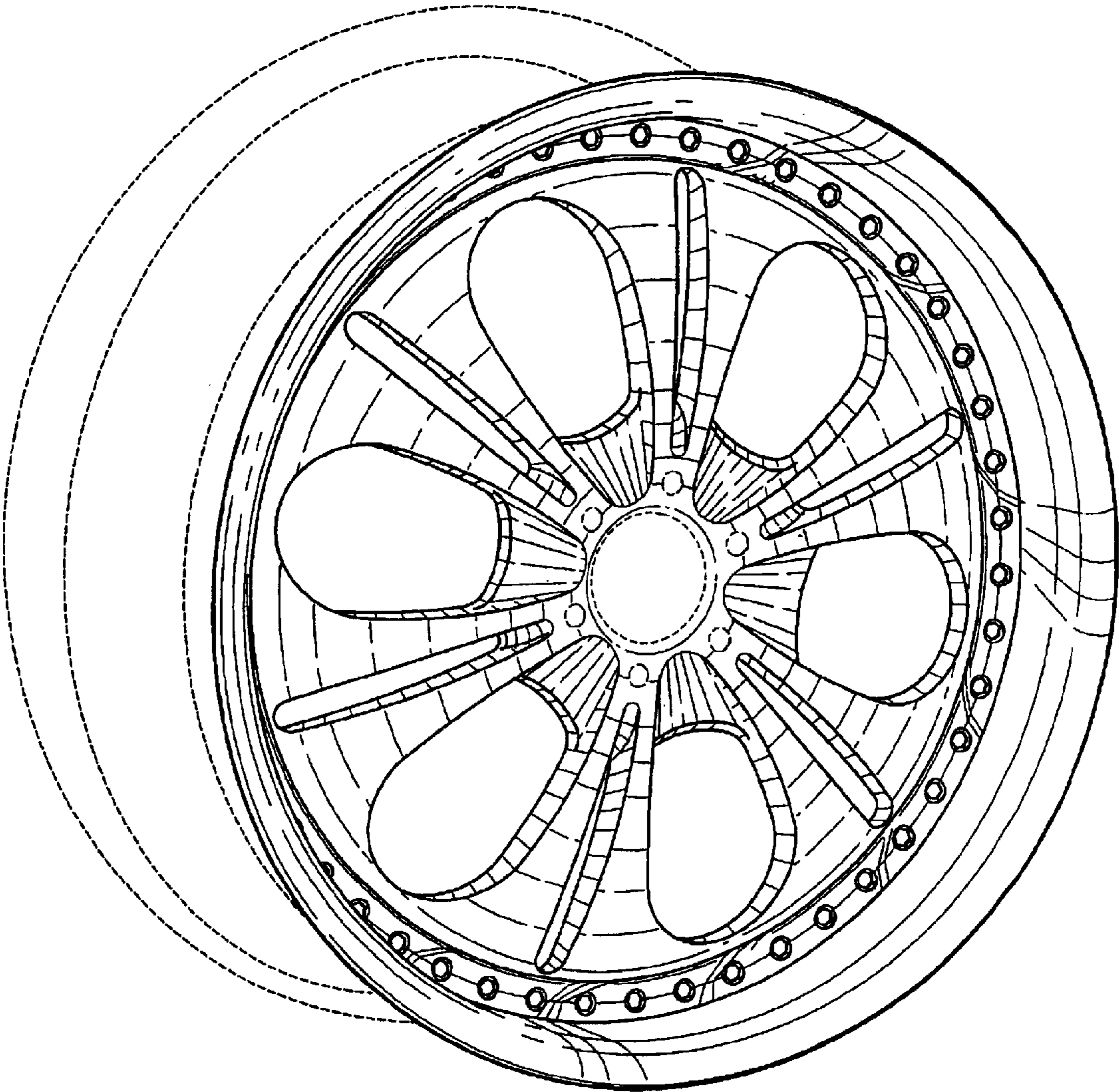


FIG. 2

