

US00D507769S

(12) **United States Design Patent**
Terzo

(10) **Patent No.:** **US D507,769 S**

(45) **Date of Patent:** **** Jul. 26, 2005**

(54) **CHAIR FOR A POOL LIFT**

(76) **Inventor:** **Michael B. Terzo**, 2632 S. Clark St.,
Unit A, Missoula, MT (US) 59801

(**) **Term:** **14 Years**

(21) **Appl. No.:** **29/192,067**

(22) **Filed:** **Oct. 17, 2003**

(51) **LOC (8) Cl.** **12-99**

(52) **U.S. Cl.** **D12/133**

(58) **Field of Search** D12/128-133;
280/202, 204, 218, 87.01, 87.02, 87.042,
87.043

(56) **References Cited**

U.S. PATENT DOCUMENTS

D470,442 S * 2/2003 Koppes et al. D12/133

D480,995 S * 10/2003 Owens D12/133

* cited by examiner

Primary Examiner—Marcus A. Jackson

(74) *Attorney, Agent, or Firm*—Keith S. Bergman

(57) **CLAIM**

The ornamental design for chair for a pool lift, shown and described.

DESCRIPTION

FIG. 1 is an isometric view of the chair for pool lift showing my design;

FIG. 2 is a right view thereof;

FIG. 3 is a left side view thereof;

FIG. 4 is a top view thereof;

FIG. 5 is a bottom view thereof;

FIG. 6 is a front view thereof; and,

FIG. 7 is a back side view thereof.

1 Claim, 4 Drawing Sheets

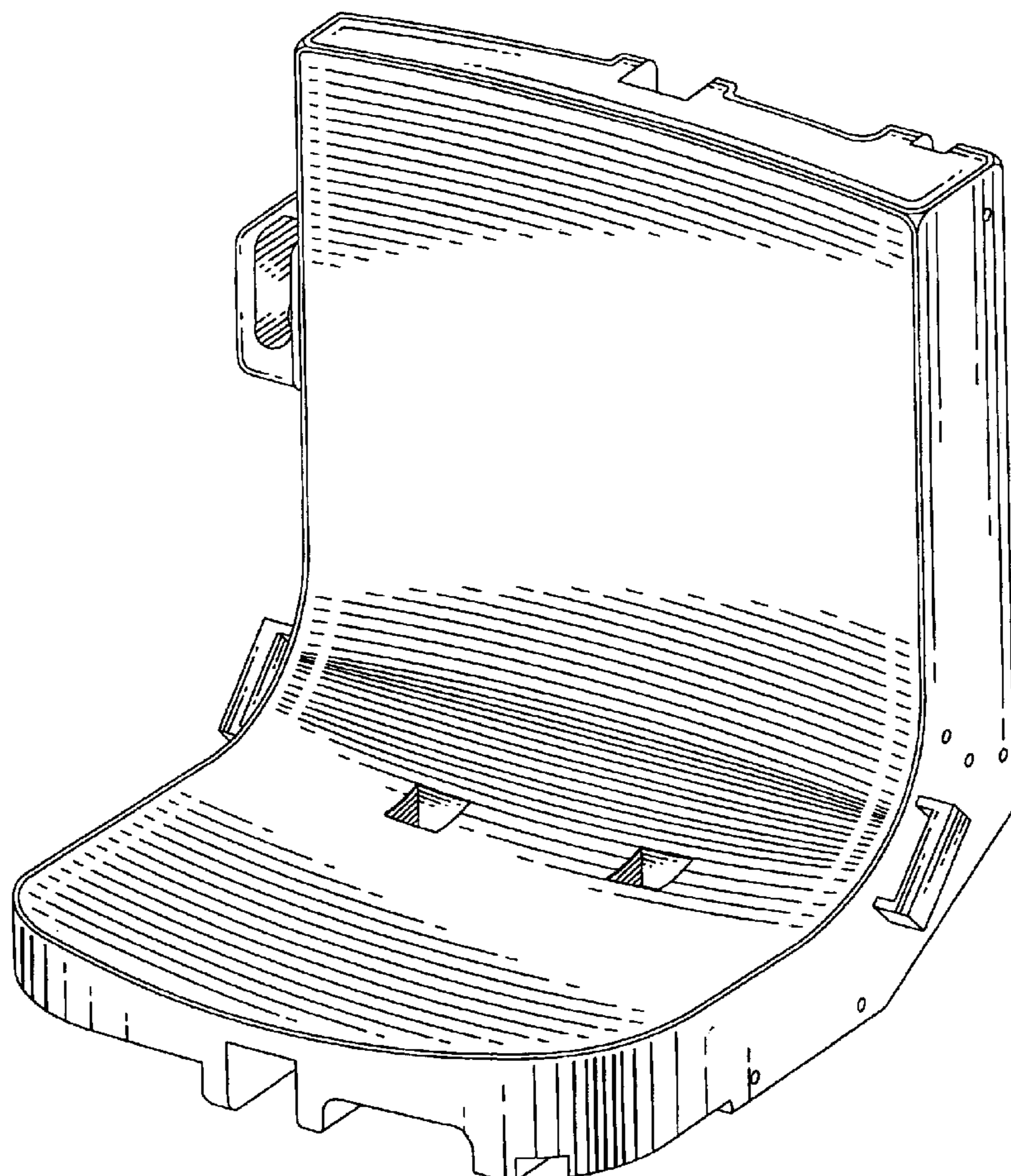
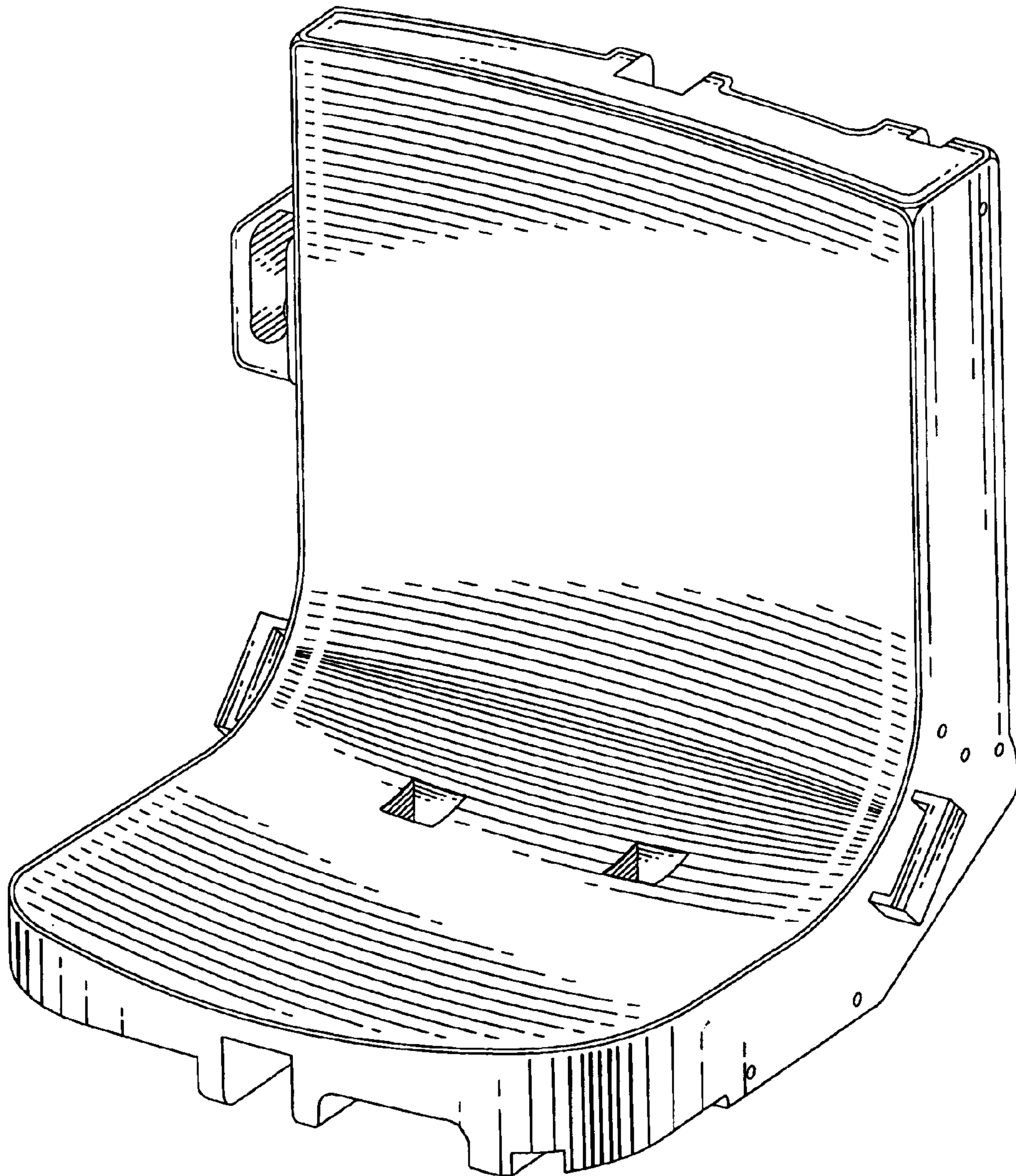


FIG. 1



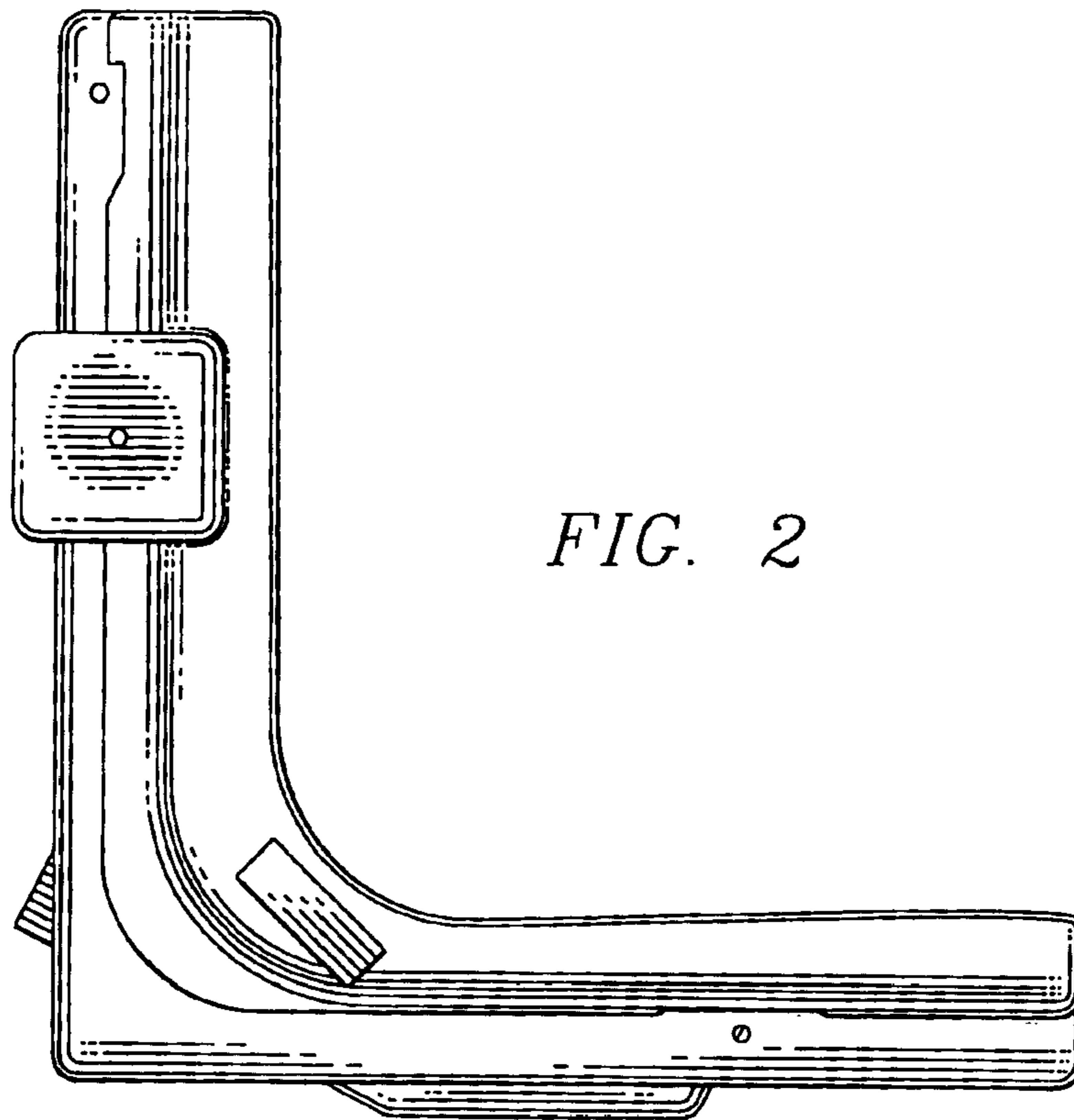


FIG. 2

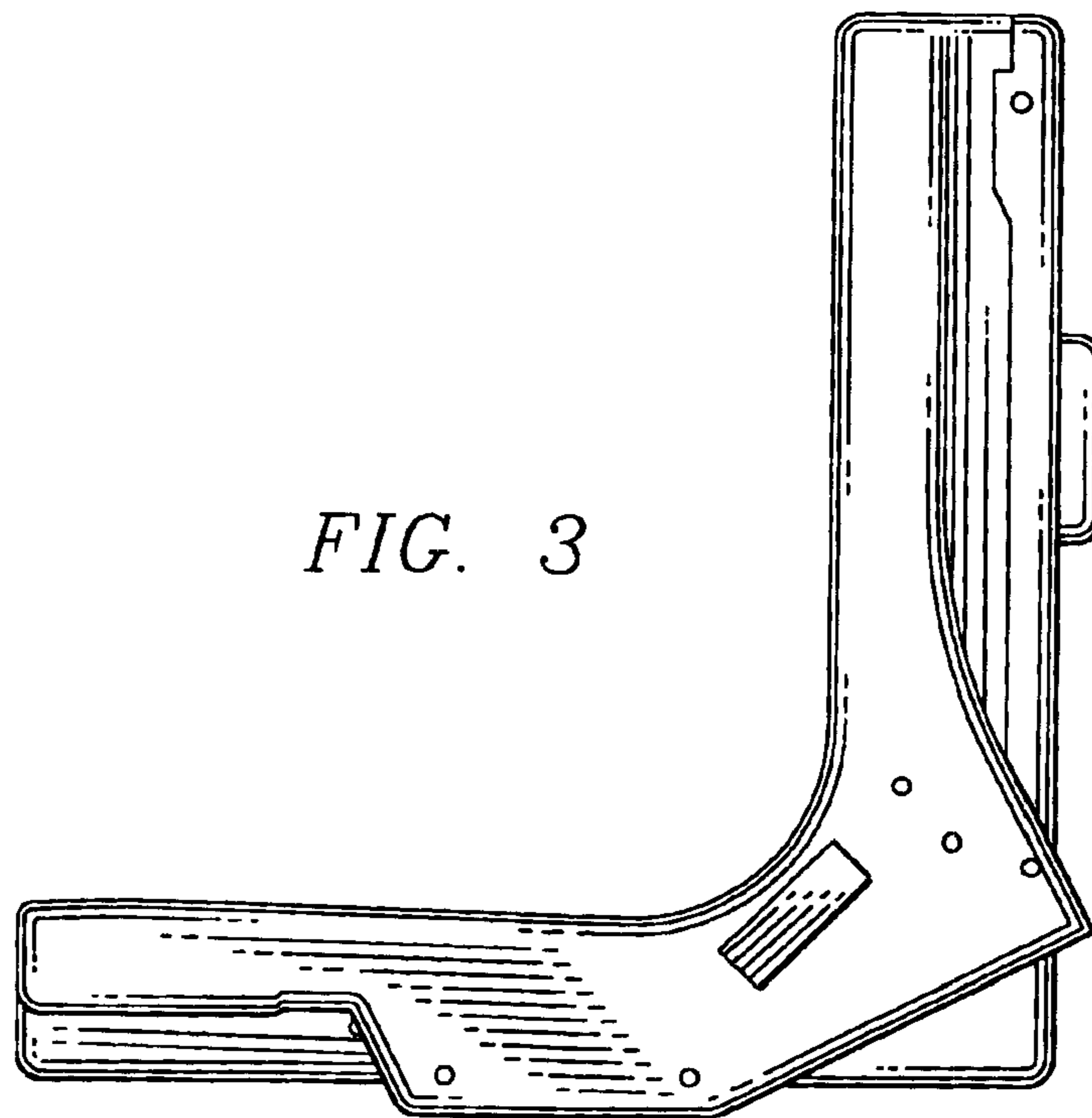


FIG. 3

FIG. 4

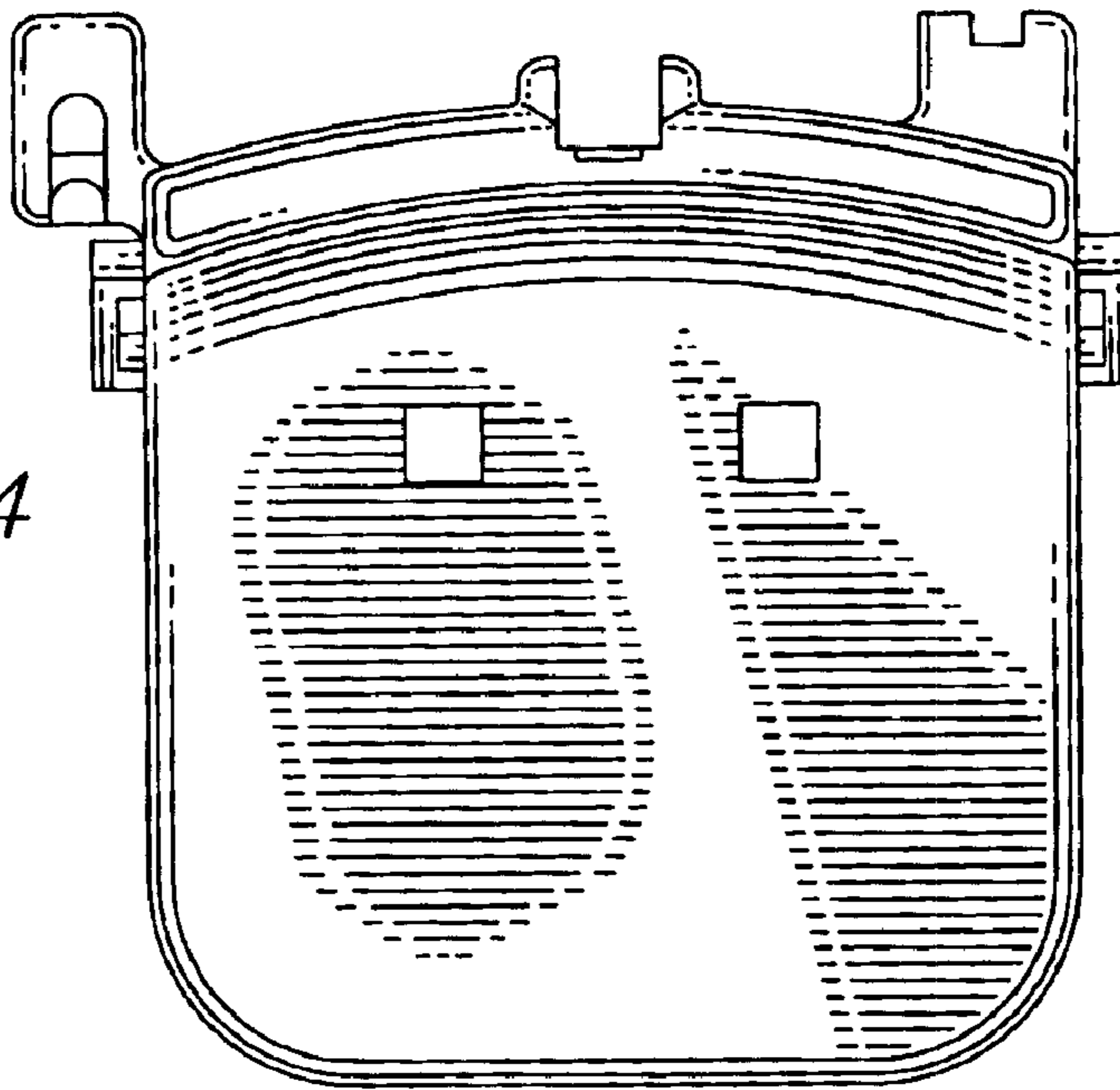


FIG. 5

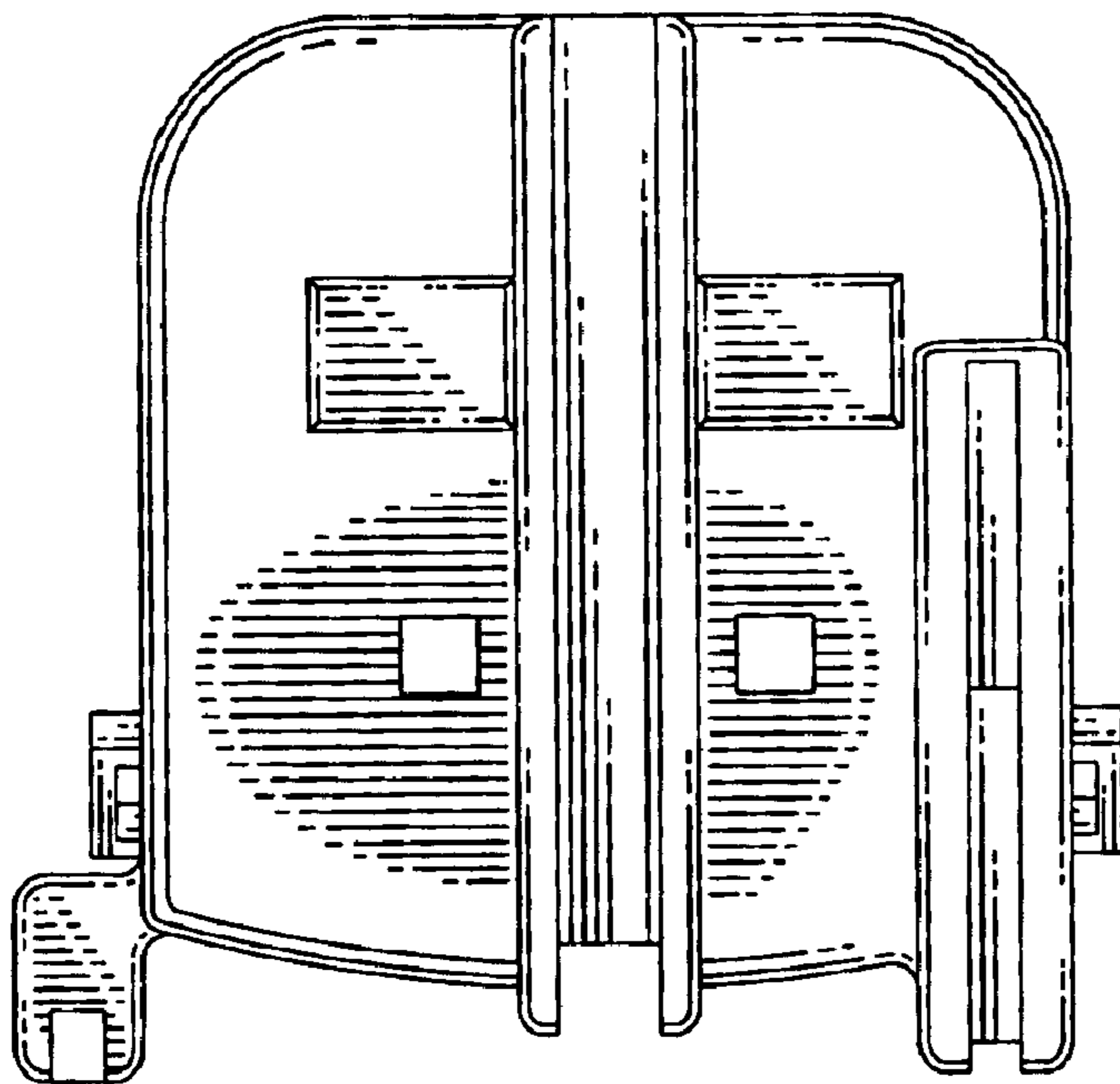


FIG. 6

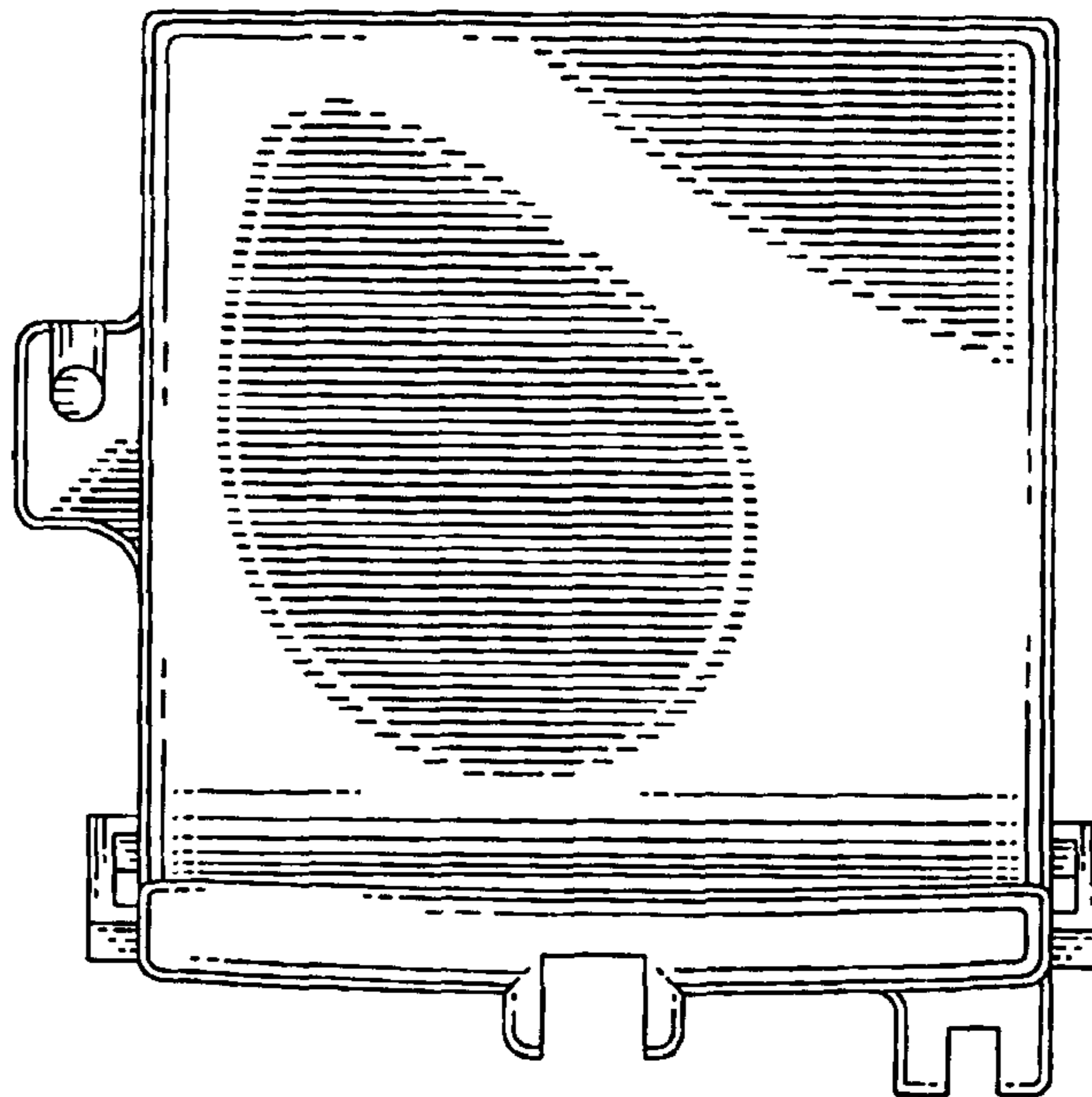


FIG. 7

