

US00D507767S

(12) **United States Design Patent**
Chan

(10) **Patent No.:** **US D507,767 S**
(45) **Date of Patent:** **** Jul. 26, 2005**

(54) **MOTORIZED BICYCLE**

D485,789 S * 1/2004 Lai D12/111

(75) Inventor: **Yet Chan, Wanchai (HK)**

* cited by examiner

(73) Assignee: **Foster Assets Corporation, Wanchai (HK)**

Primary Examiner—Alan P. Douglas

Assistant Examiner—Linda Brooks

(**) Term: **14 Years**

(74) *Attorney, Agent, or Firm*—Wood, Herron & Evans, LLP

(21) Appl. No.: **29/201,827**

(57) **CLAIM**

(22) Filed: **Mar. 22, 2004**

The ornamental design for a motorized bicycle, as shown and described.

(30) **Foreign Application Priority Data**

Sep. 23, 2003 (HK) 0311574

DESCRIPTION

(51) **LOC (8) Cl.** **12-11**

FIG. 1 is a perspective view;

(52) **U.S. Cl.** **D12/111**

FIG. 2 is a view from above;

(58) **Field of Search** **D12/110, 111;**

FIG. 3 is a view from below;

280/274–280, 283–286, 288.1–288.3; 180/205, 206, 65.1, 65.6, 220, 216, 227

FIG. 4 is a right side view;

FIG. 5 is a left side view;

FIG. 6 is a front view; and,

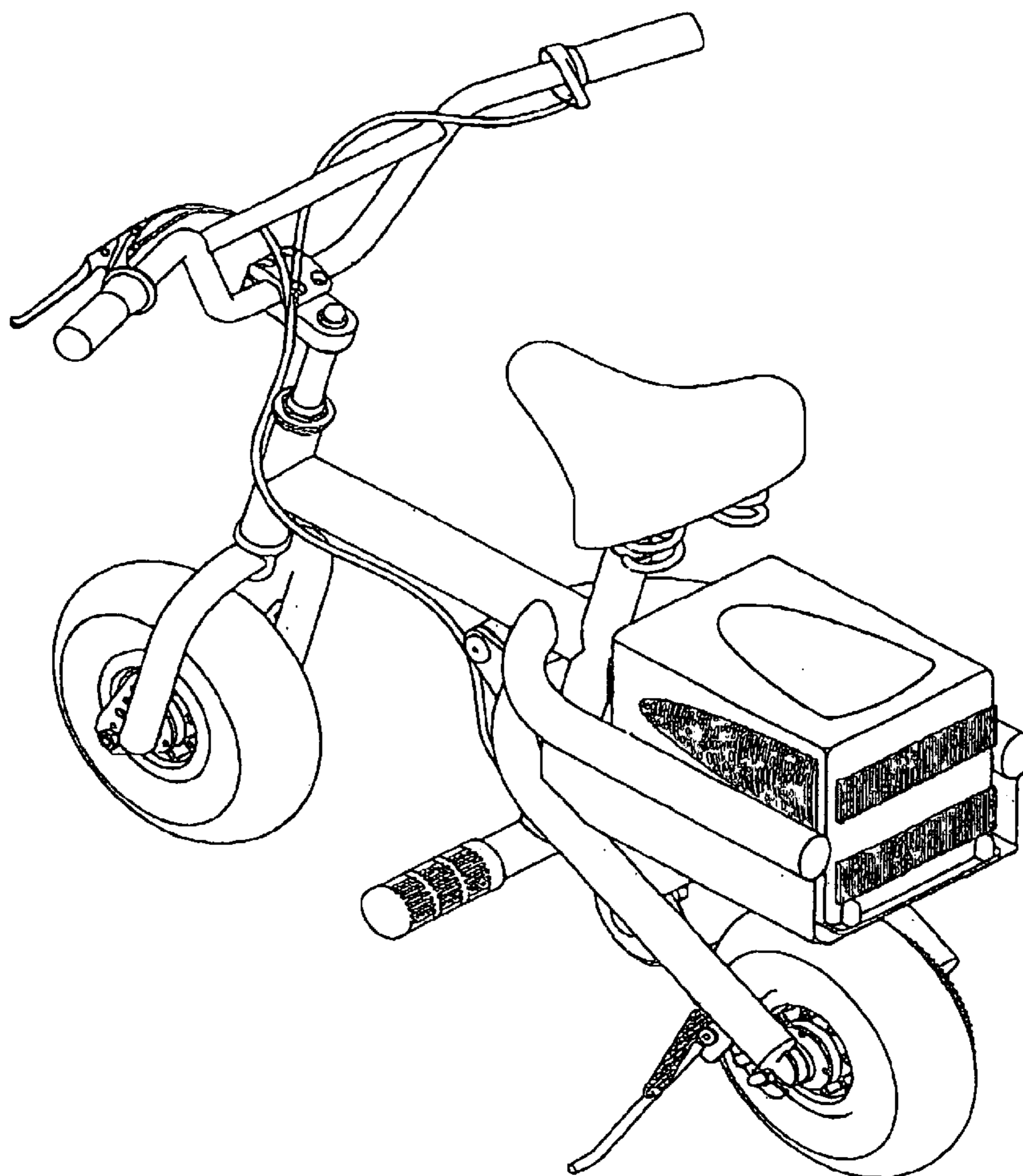
FIG. 7 is a rear view.

(56) **References Cited**

U.S. PATENT DOCUMENTS

D472,851 S * 4/2003 Tajima et al. D12/110

1 Claim, 7 Drawing Sheets



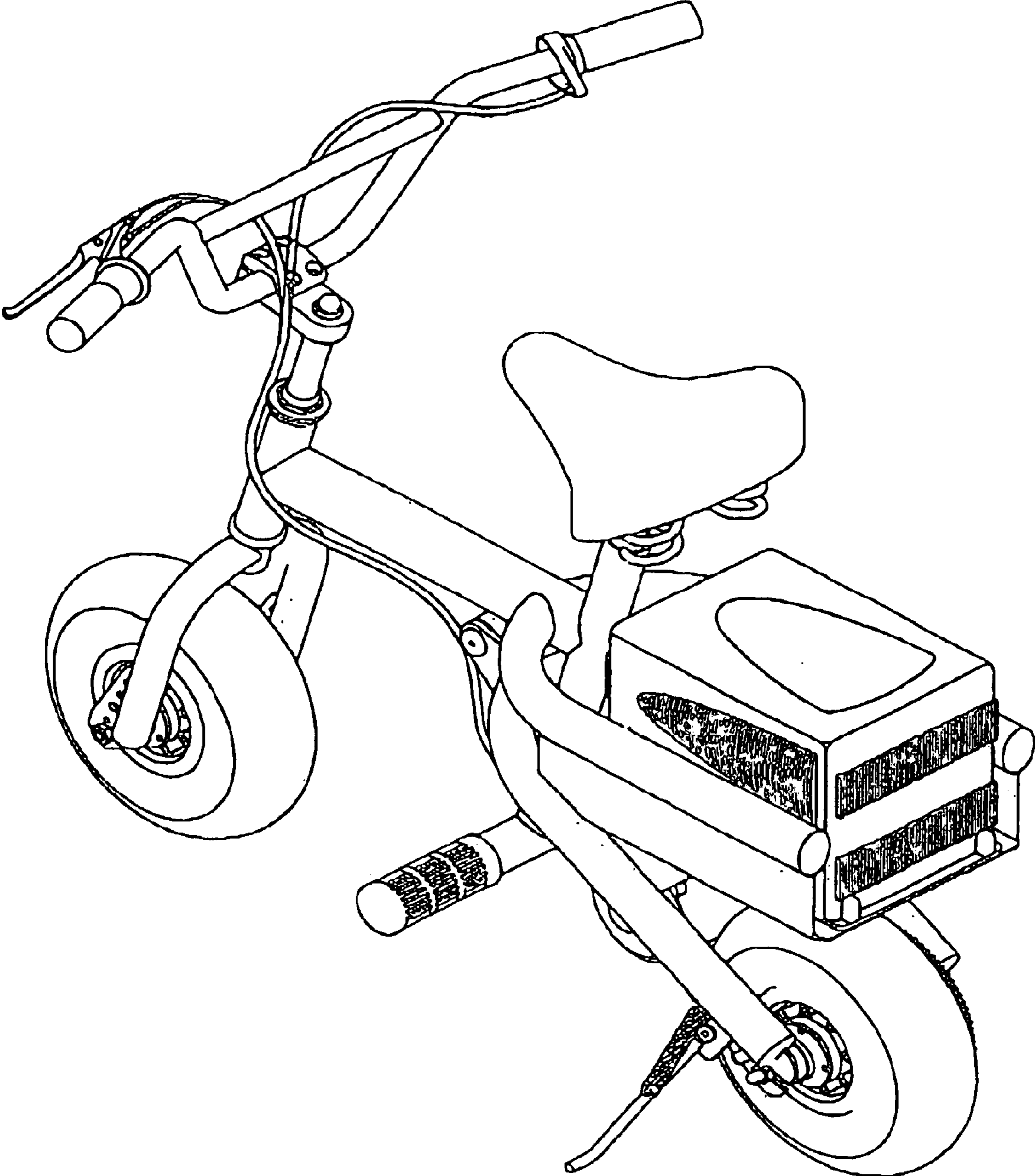


FIG. 1

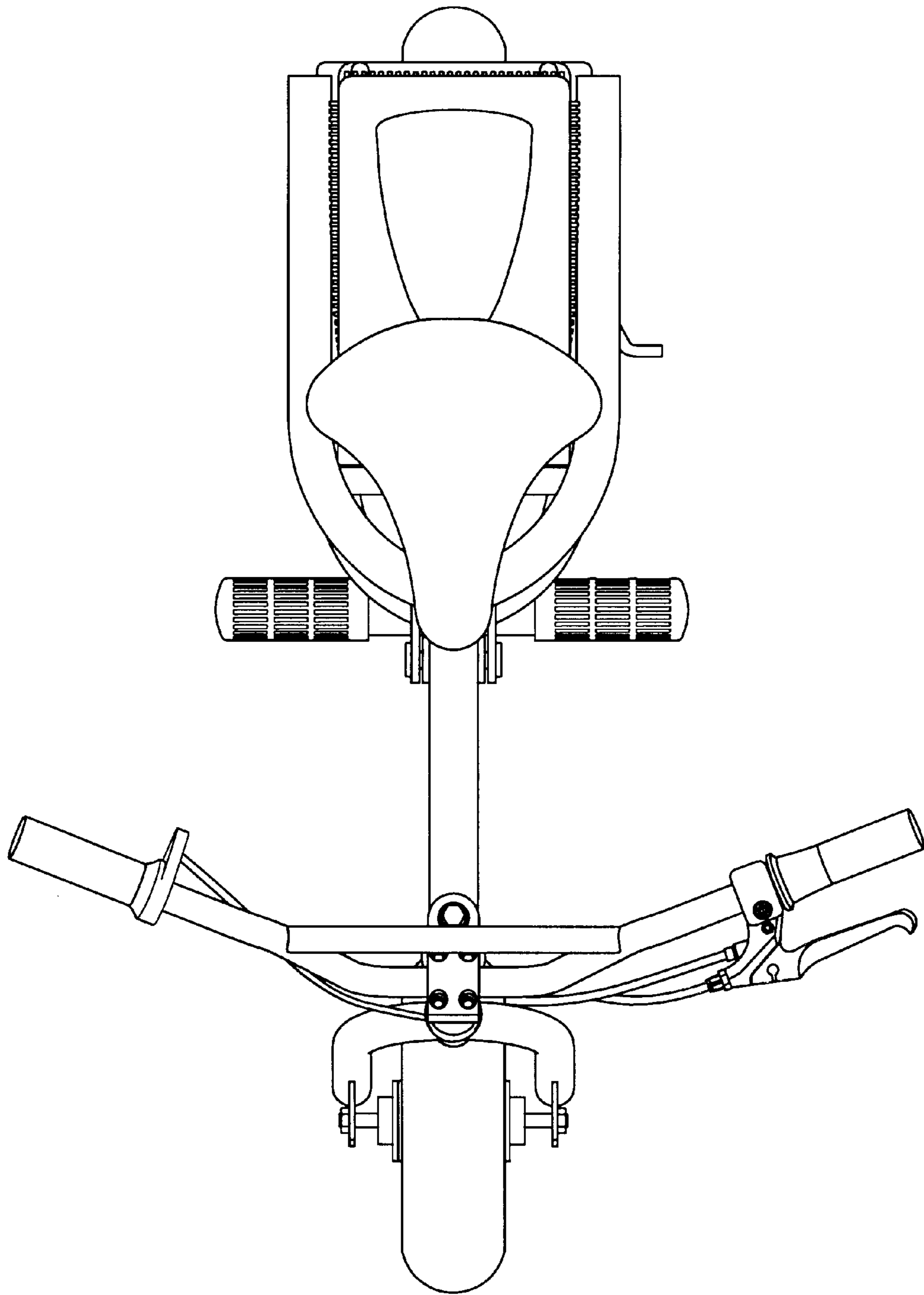


FIG. 2

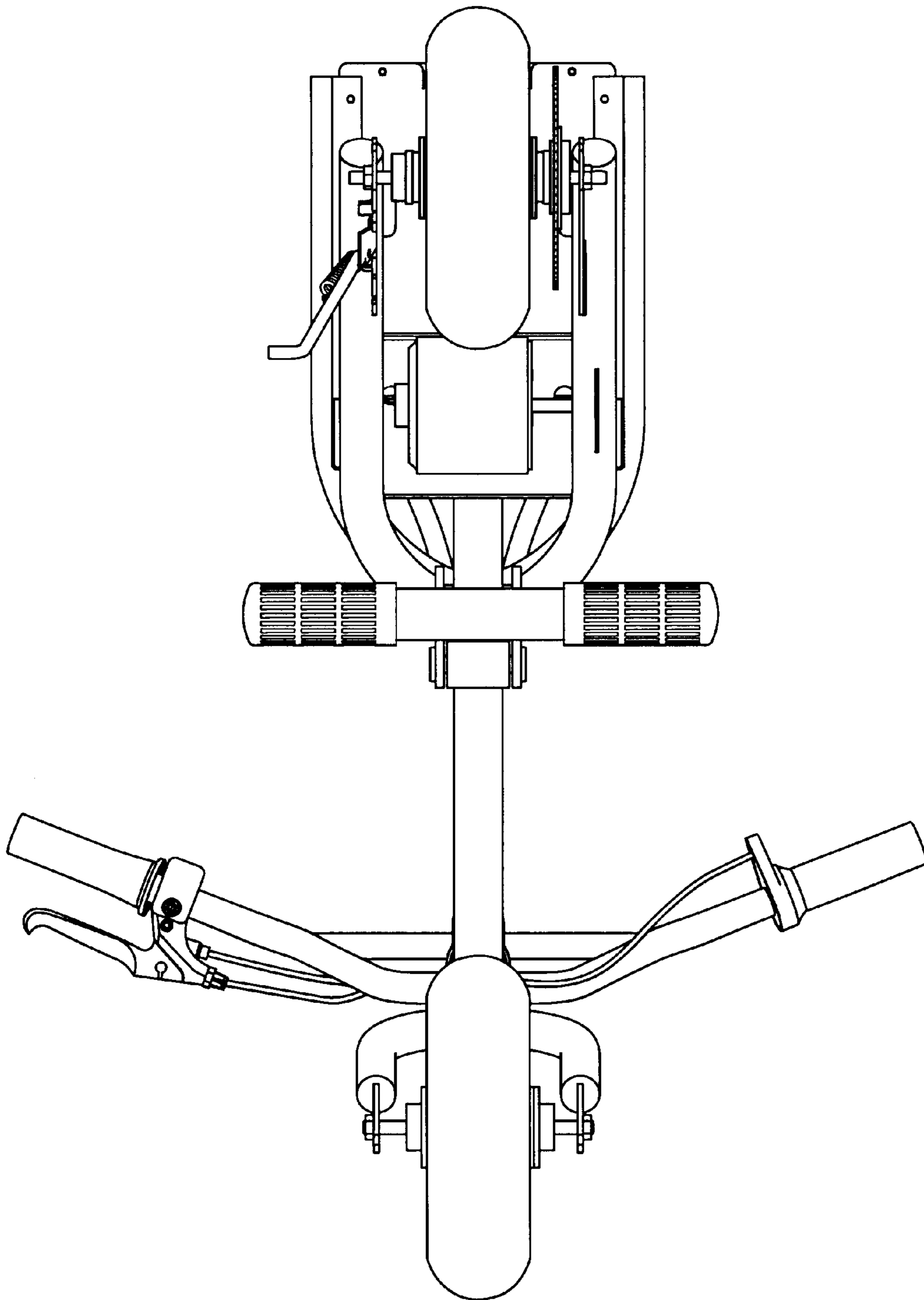


FIG. 3

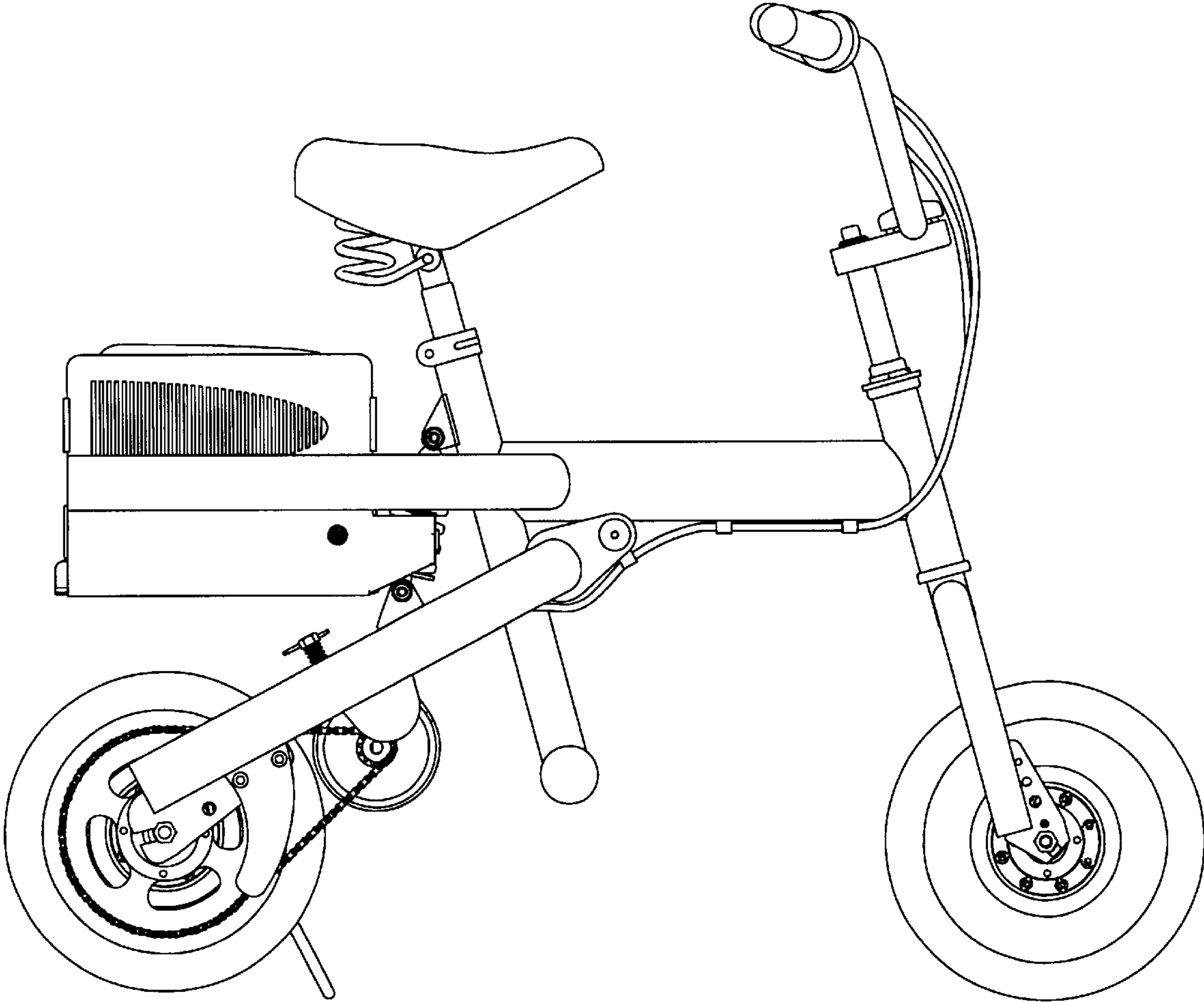


FIG. 4

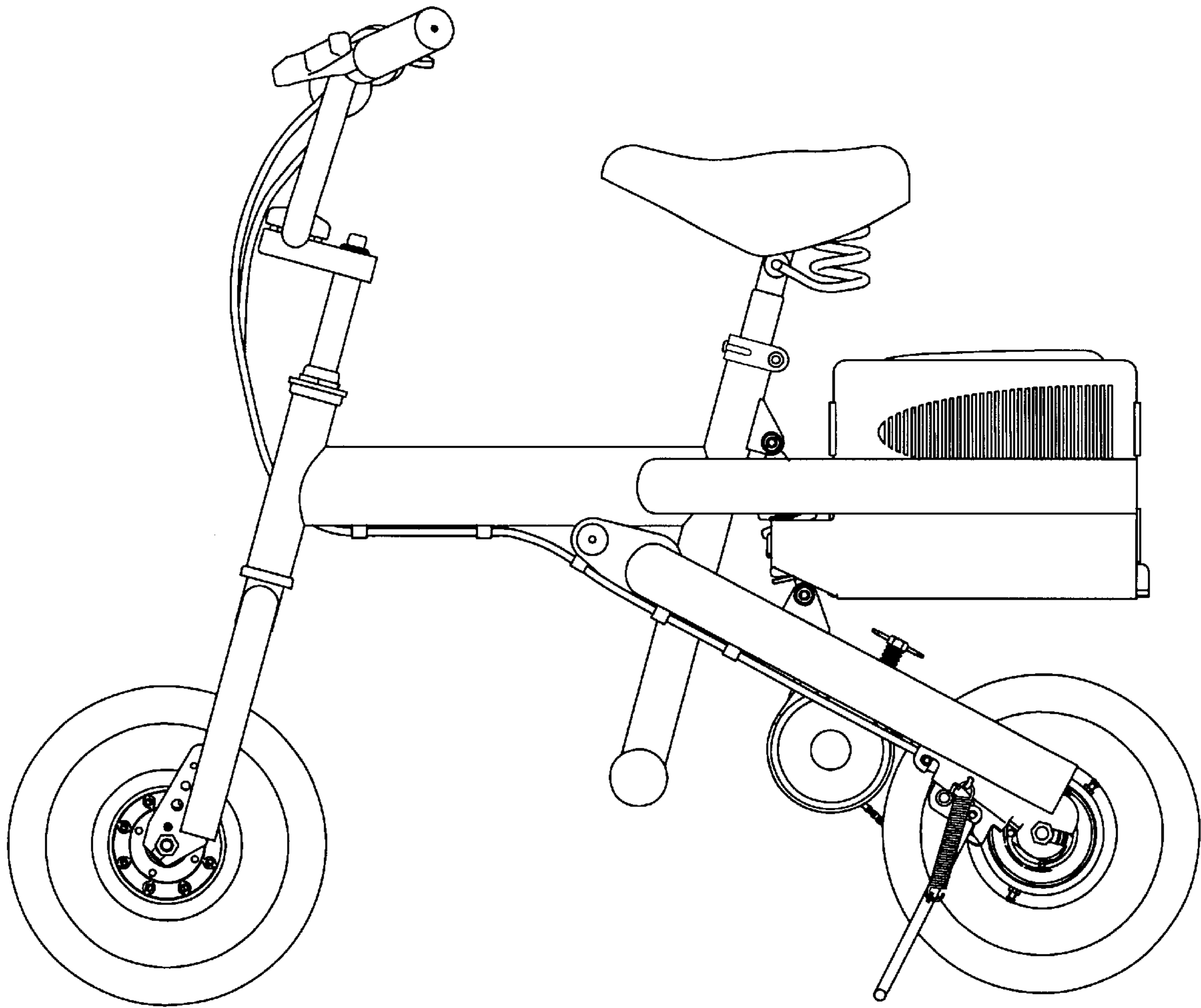


FIG. 5

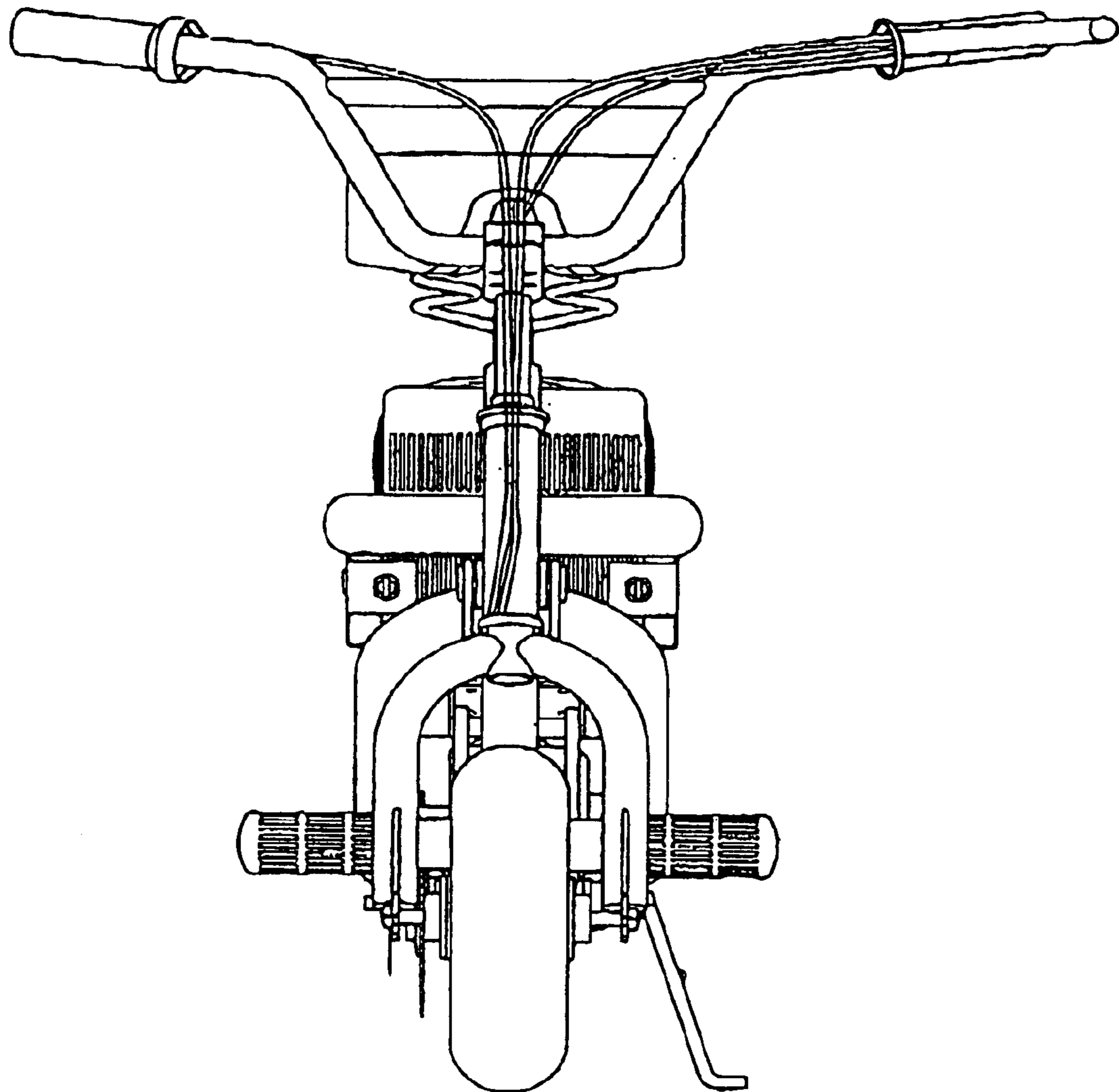


FIG. 6

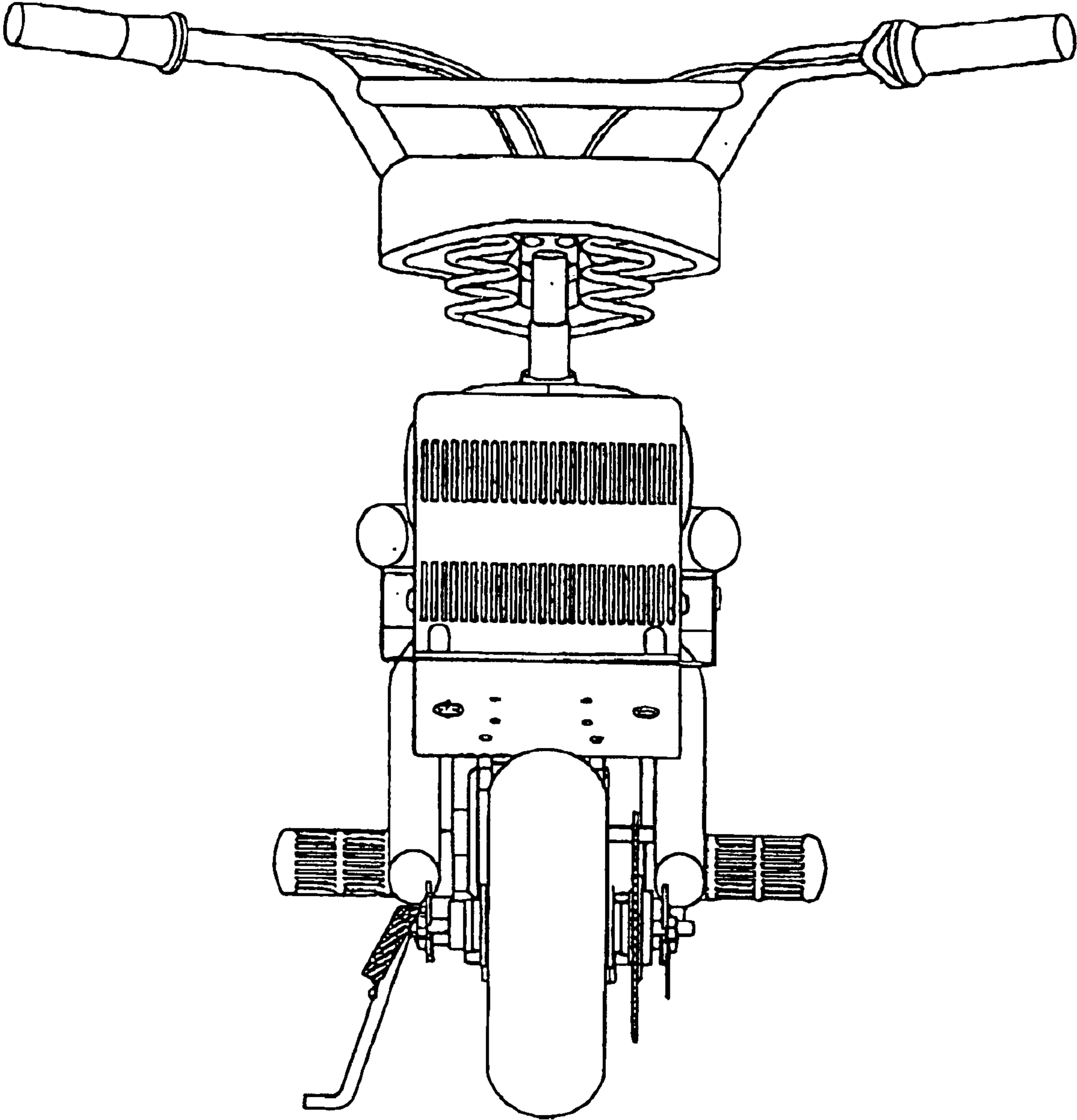


FIG. 7