



US00D507766S

(12) **United States Design Patent** (10) **Patent No.:** **US D507,766 S**
McMahan et al. (45) **Date of Patent:** **** Jul. 26, 2005**

(54) **AUTOMOBILE BODY**

OTHER PUBLICATIONS

(75) Inventors: **James S McMahan**, White Lake, MI (US); **Jaclyn M Woody**, Clarkston, MI (US); **Scott A Moffett**, Toledo, OH (US); **Michael S Smith**, Livonia, MI (US)

Kurylko, Diana T., "Jeep Reveals Scrambler Plans", *Automotive News*, Feb. 3, 2003.

* cited by examiner

(73) Assignee: **DaimlerChrysler Corporation**, Auburn Hills, MI (US)

Primary Examiner—Melody N. Brown

(74) *Attorney, Agent, or Firm*—Ralph E. Smith

(**) Term: **14 Years**

(57) **CLAIM**

The ornamental design for an automobile body, as shown and described.

(21) Appl. No.: **29/206,810**

DESCRIPTION

(22) Filed: **Jun. 3, 2004**

(51) **LOC (8) Cl.** **12-08**

(52) **U.S. Cl.** **D12/91**

(58) **Field of Search** D12/90-92, 86;
D21/424, 433; 296/185

FIG. 1 is a front perspective view of an automobile body showing our new design;

FIG. 2 is a side view thereof;

FIG. 3 is a front view thereof;

FIG. 4 is a rear view thereof;

FIG. 5 is a rear perspective view thereof;

FIG. 6 is a front perspective view of an automobile body showing a second embodiment of our new design;

FIG. 7 is a side view of FIG. 6;

FIG. 8 is a front view of FIG. 6;

FIG. 9 is a rear view of FIG. 6;

FIG. 10 is a rear perspective view of FIG. 6;

FIG. 11 is a front perspective view of an automobile body showing a third embodiment of our new design;

FIG. 12 is a side view FIG. 11;

FIG. 13 is a front view FIG. 11;

FIG. 14 is a rear view FIG. 11; and,

FIG. 15 is a rear perspective view FIG. 11.

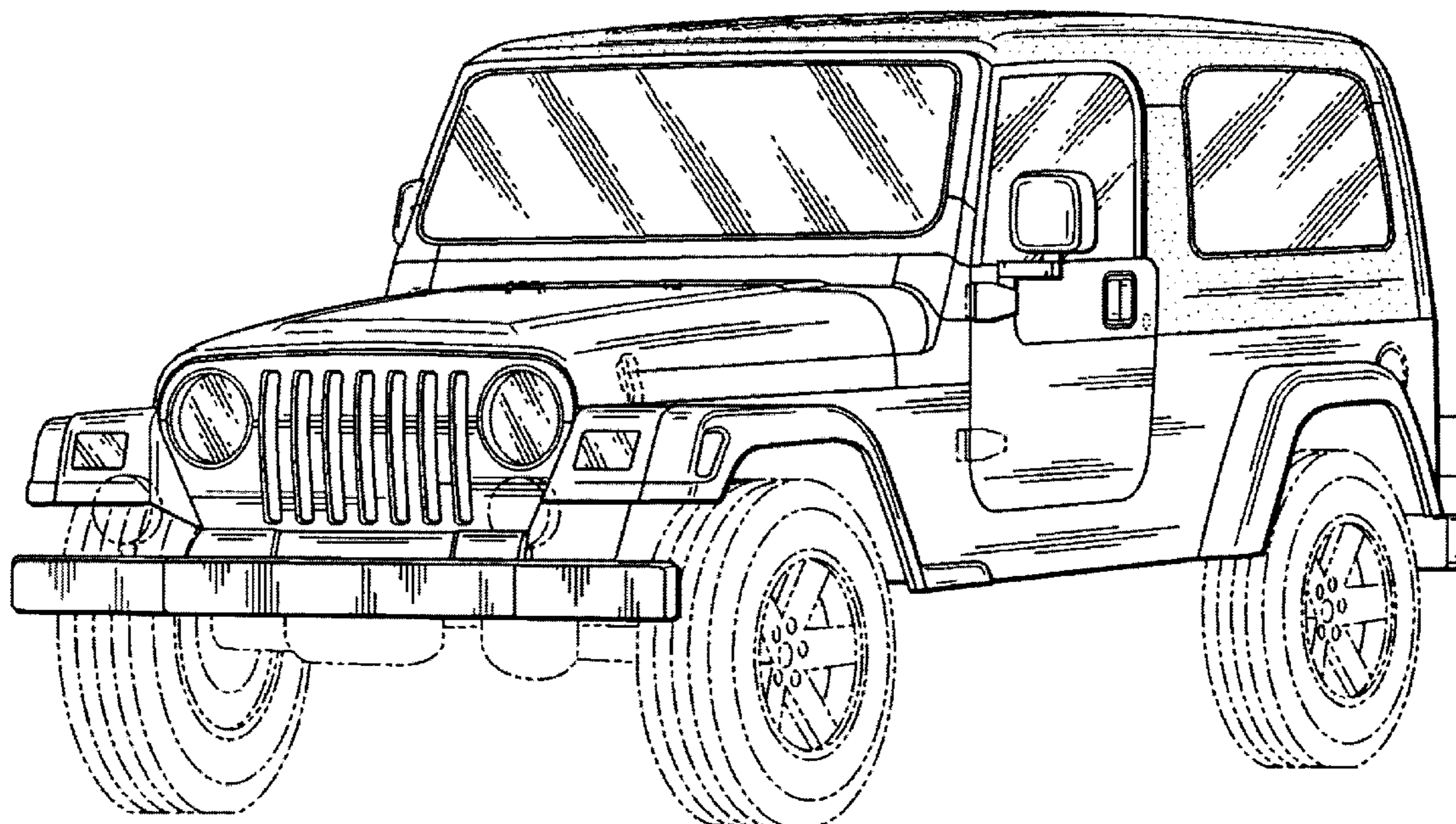
It will be understood that the dashed lines presented in the drawings are for illustration only, and do not form a part of the claimed design.

(56) **References Cited**

U.S. PATENT DOCUMENTS

D136,819 S	12/1943	Roos	
D346,990 S	* 5/1994	Abbott et al.	D12/91
D350,504 S	* 9/1994	Nixon	D12/91
D383,710 S	9/1997	Guichard et al.	
D389,438 S	1/1998	Guichard et al.	
D391,520 S	3/1998	Laster	
D401,186 S	11/1998	Abbott et al.	
D408,329 S	* 4/1999	Anness et al.	D12/92
D416,519 S	* 11/1999	Won et al.	D12/91
D420,939 S	* 2/2000	Faurote et al.	D12/91
D454,813 S	3/2002	Boniface et al.	
D466,444 S	12/2002	Meadows	
D476,268 S	6/2003	Castiglione et al.	
D497,572 S	* 10/2004	Widmann et al.	D12/91

1 Claim, 9 Drawing Sheets



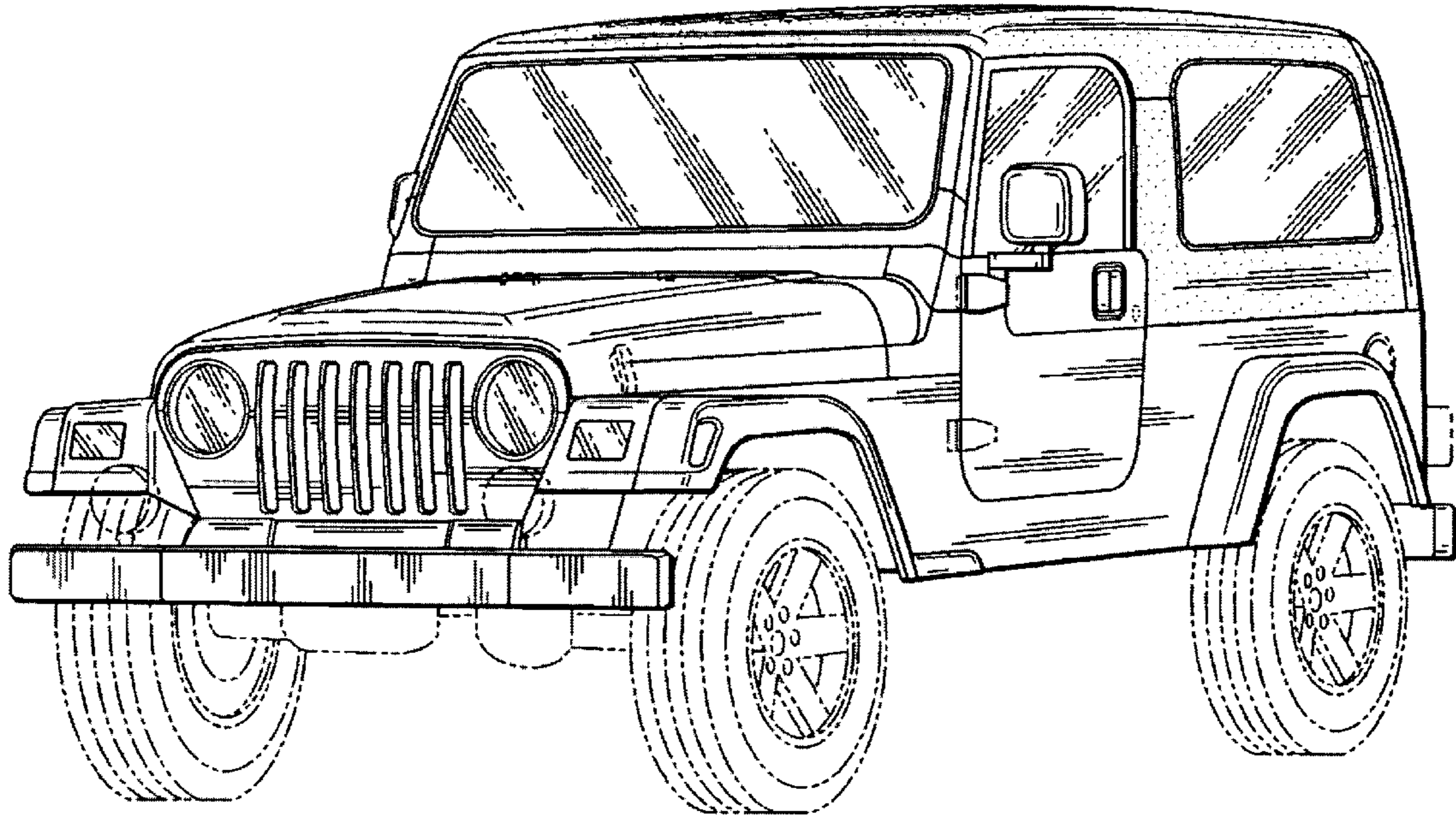


Fig. 1

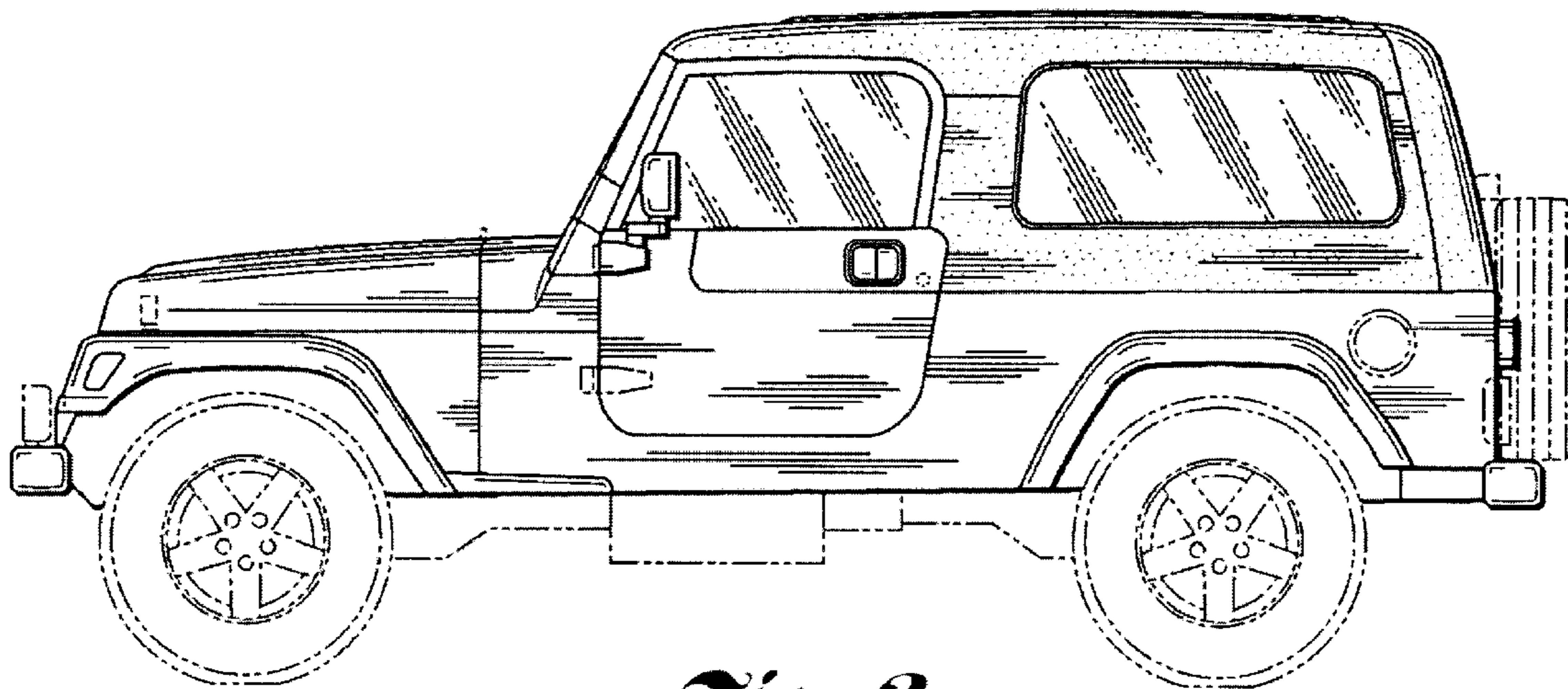


Fig. 2

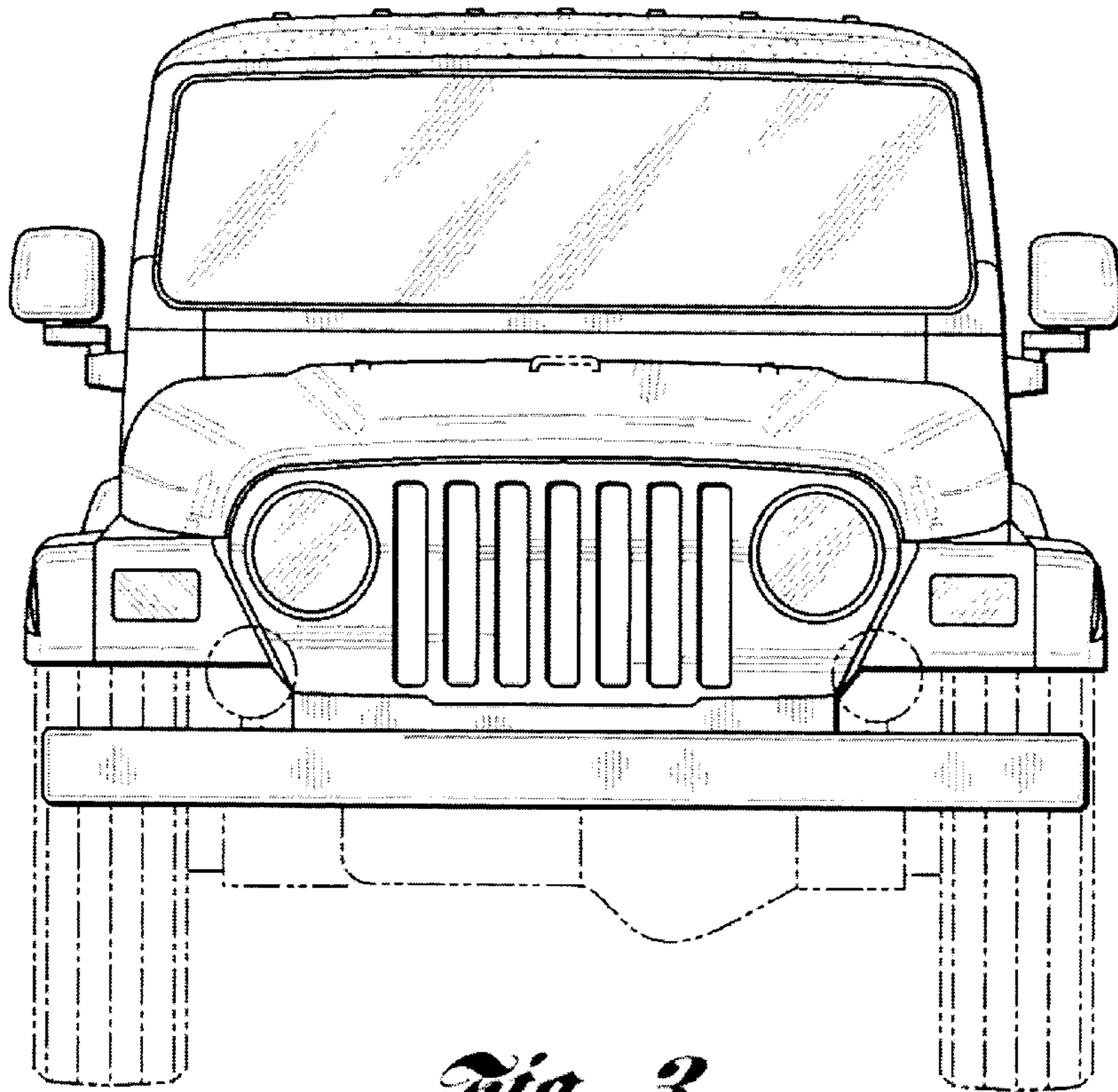


Fig. 3

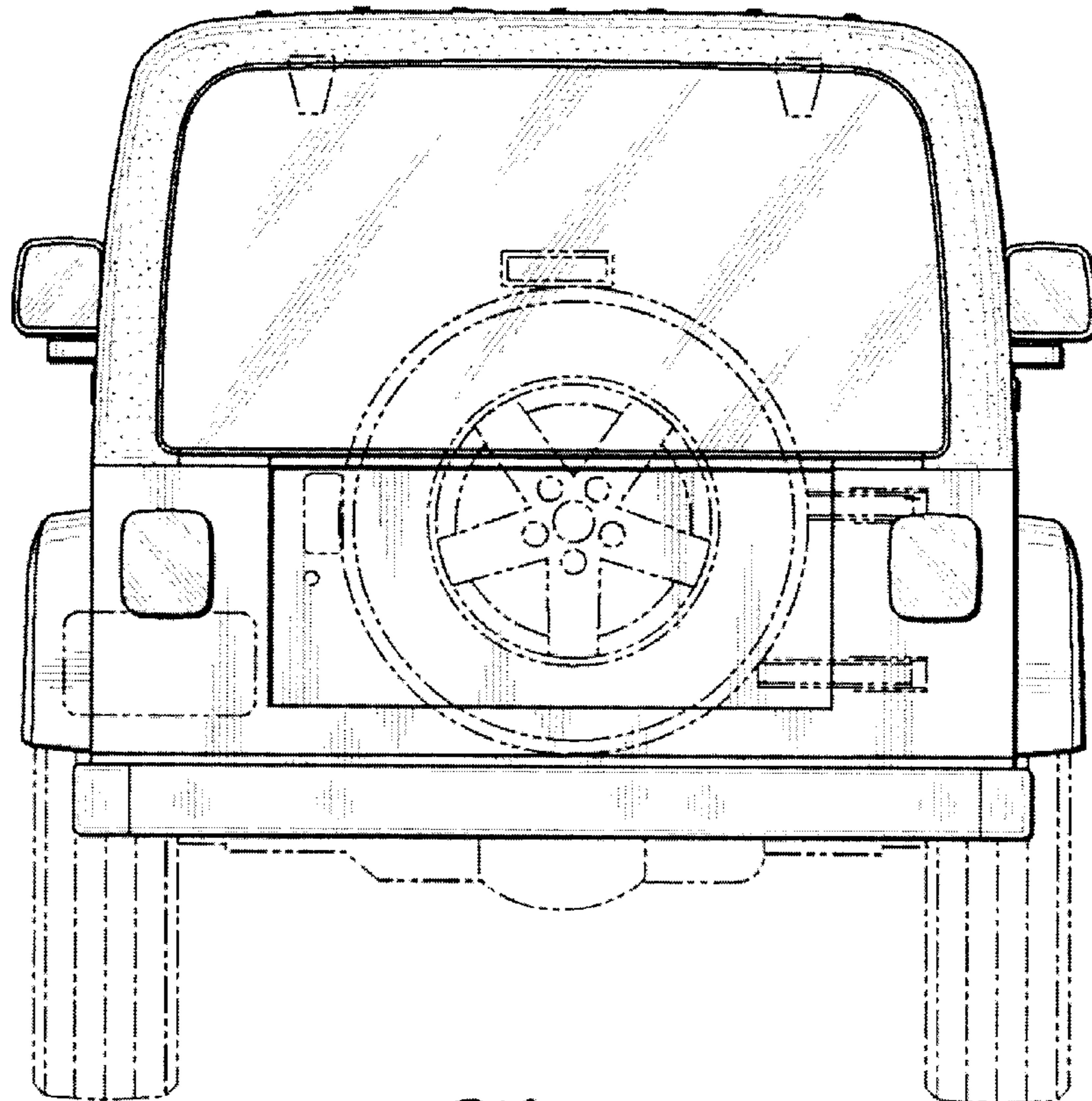


Fig. 4

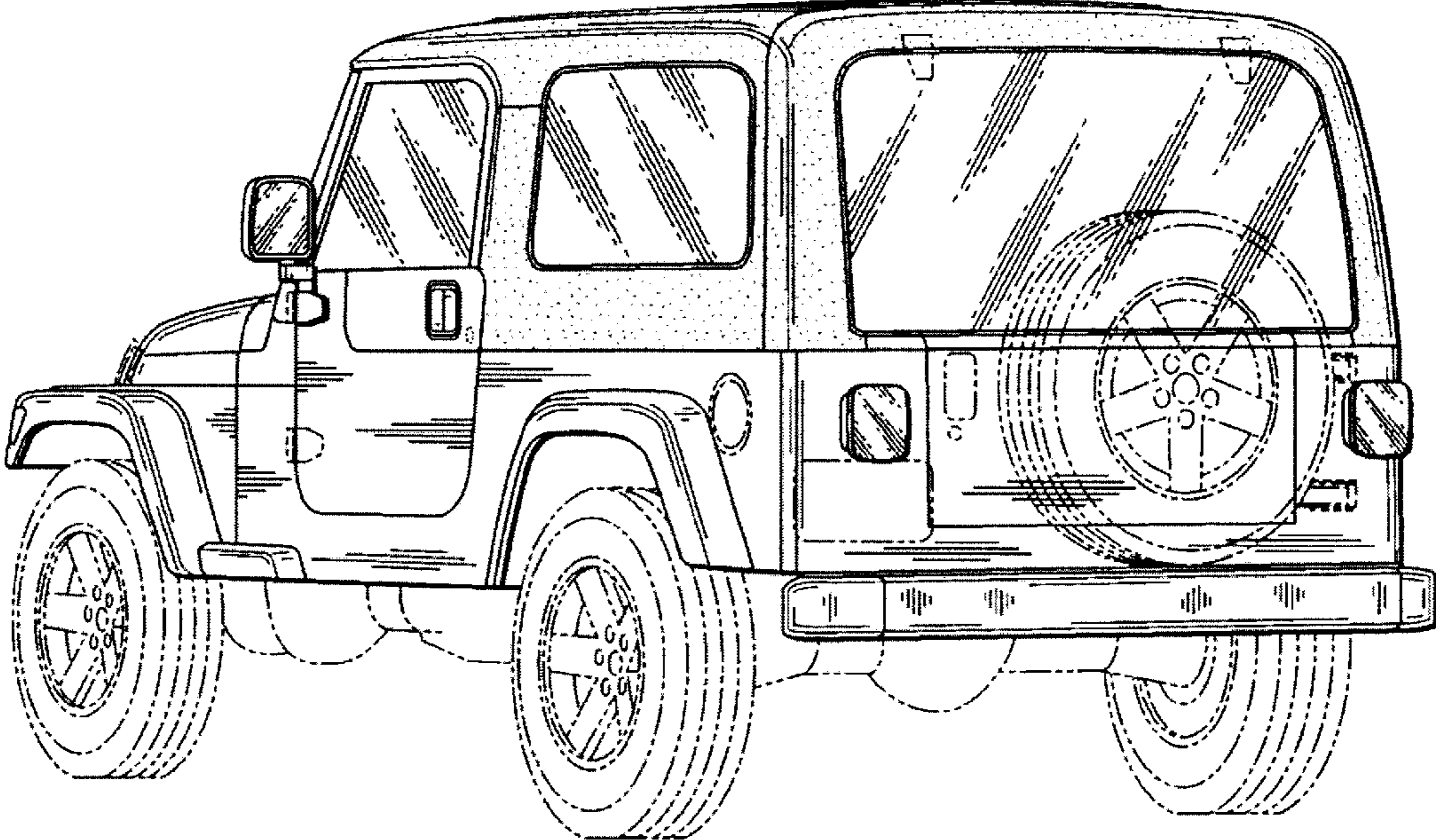


Fig. 5

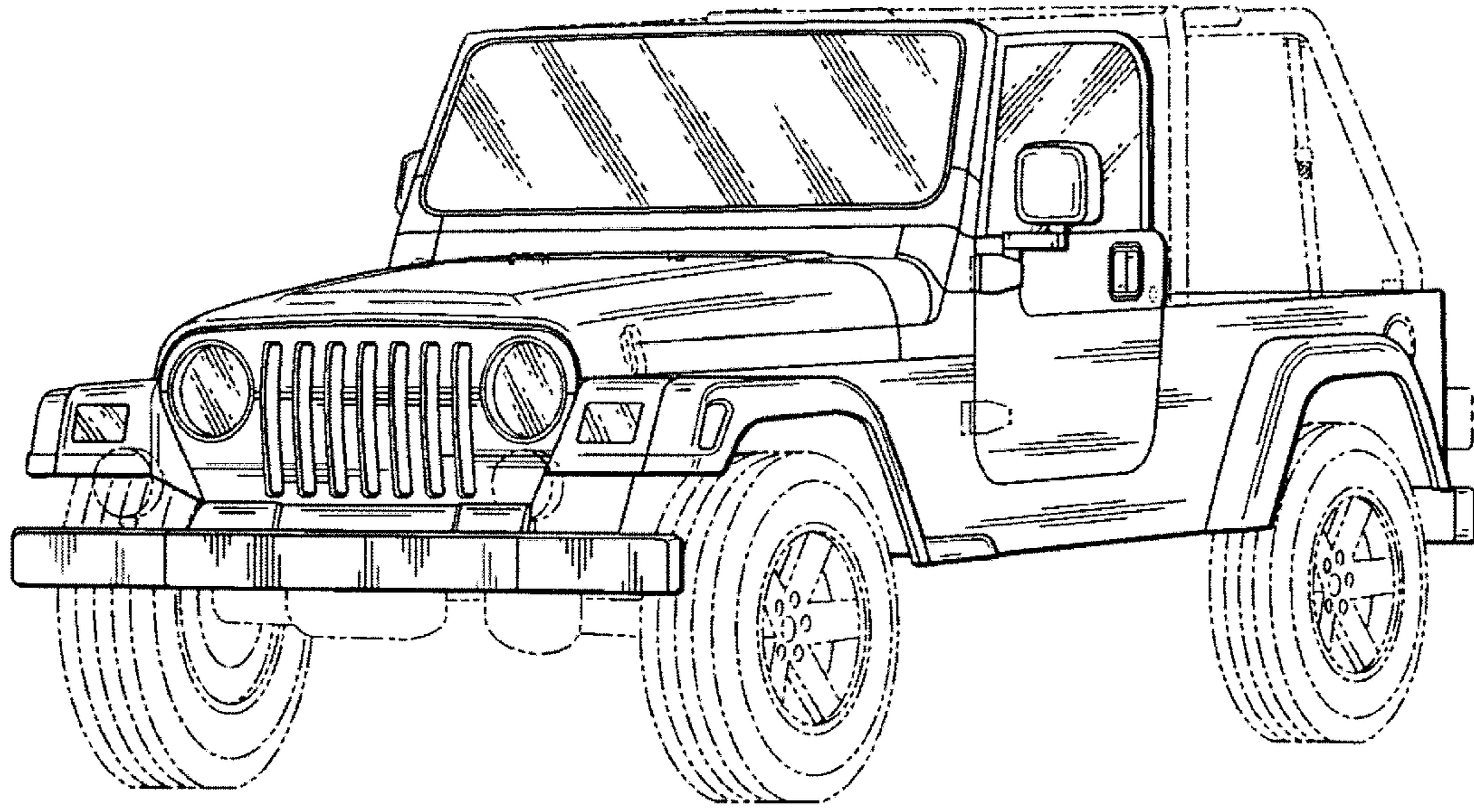


Fig. 6

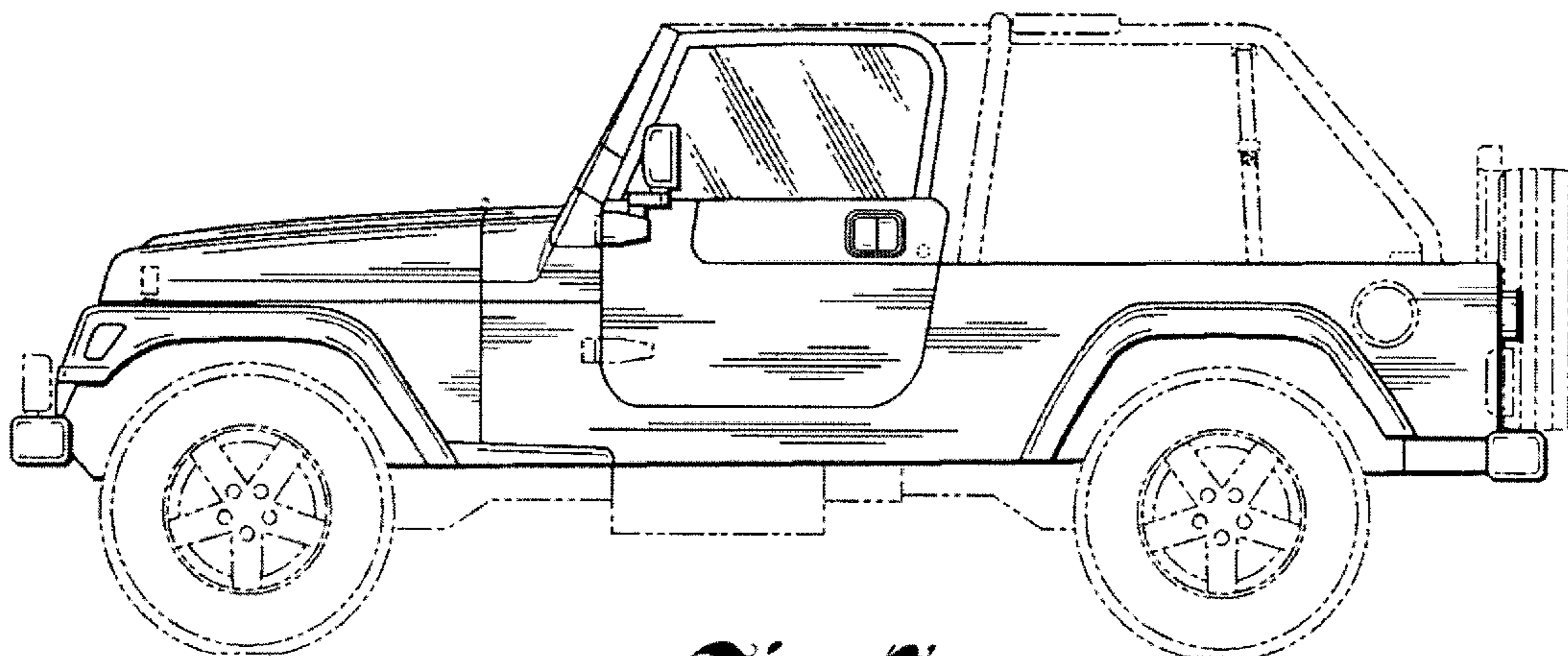


Fig. 7

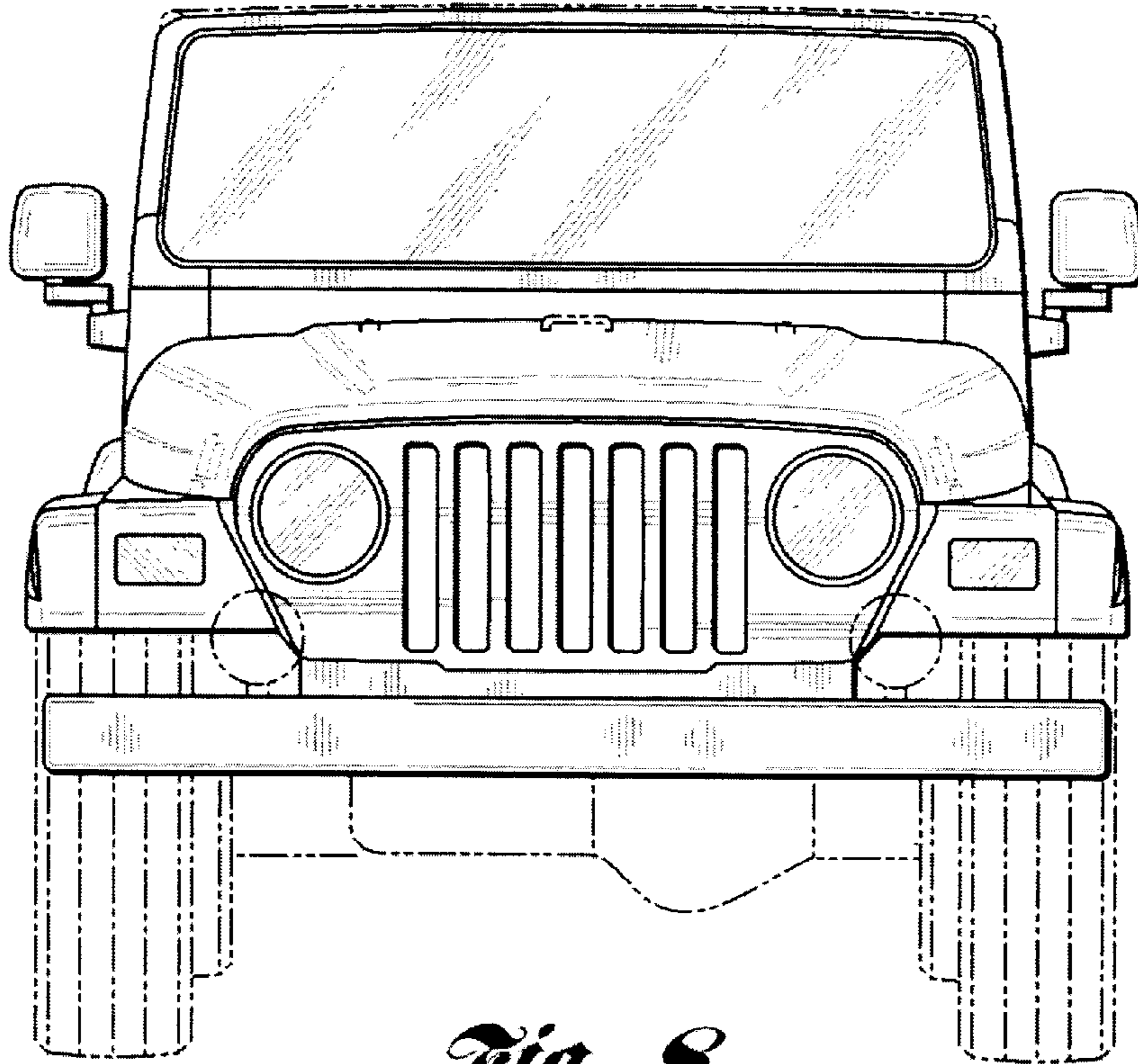


Fig. 8

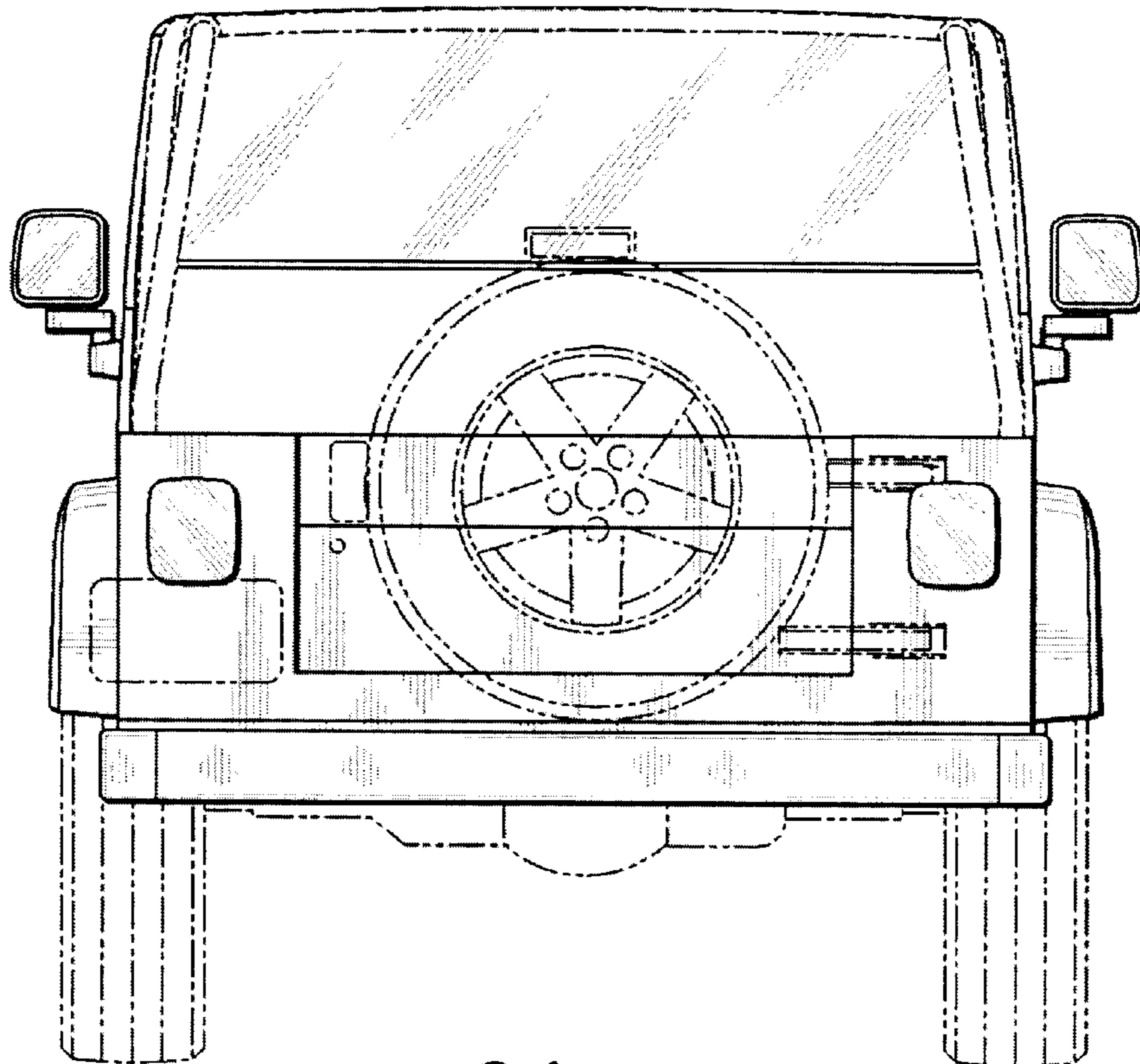


Fig. 9

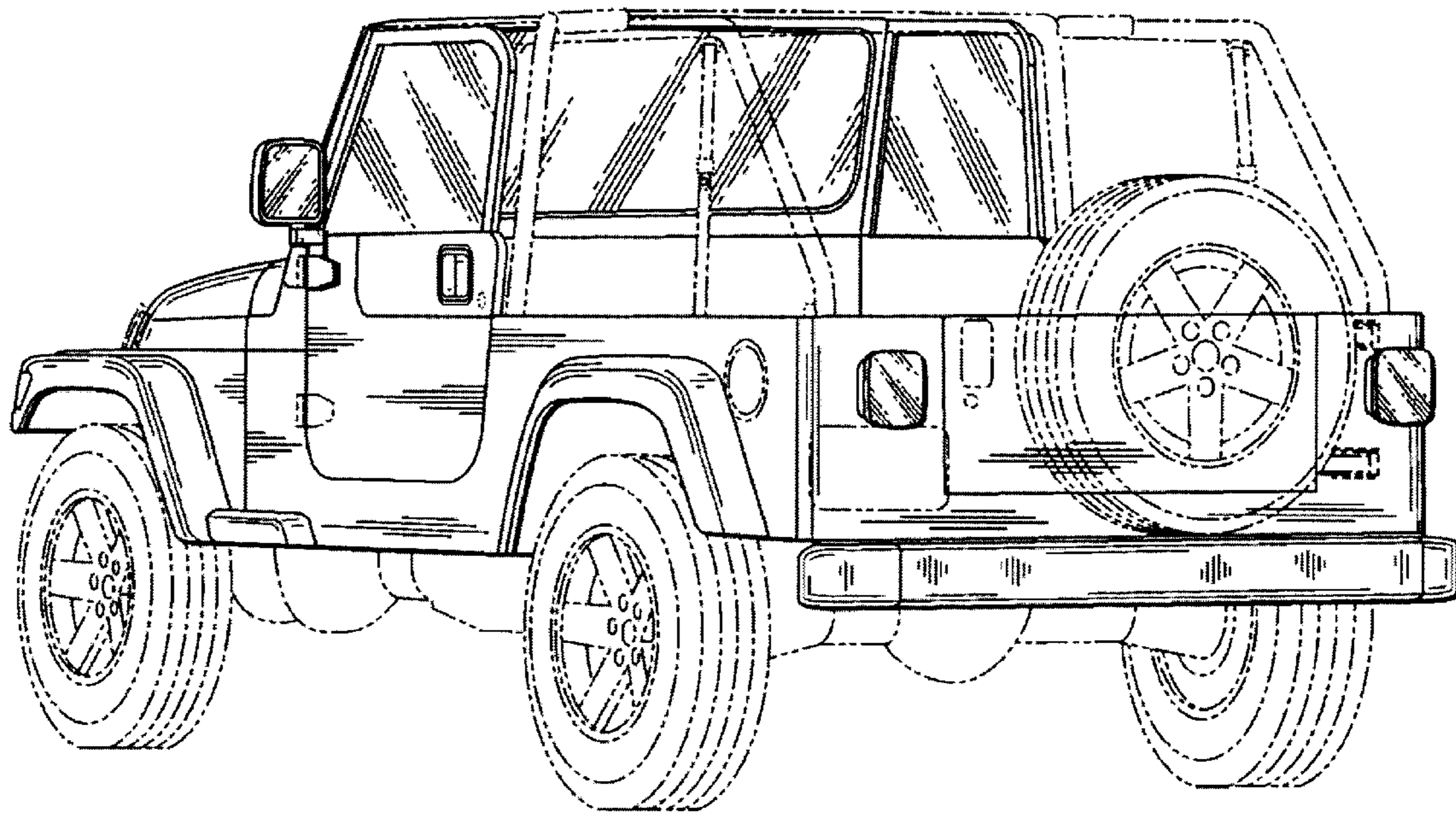


Fig. 10

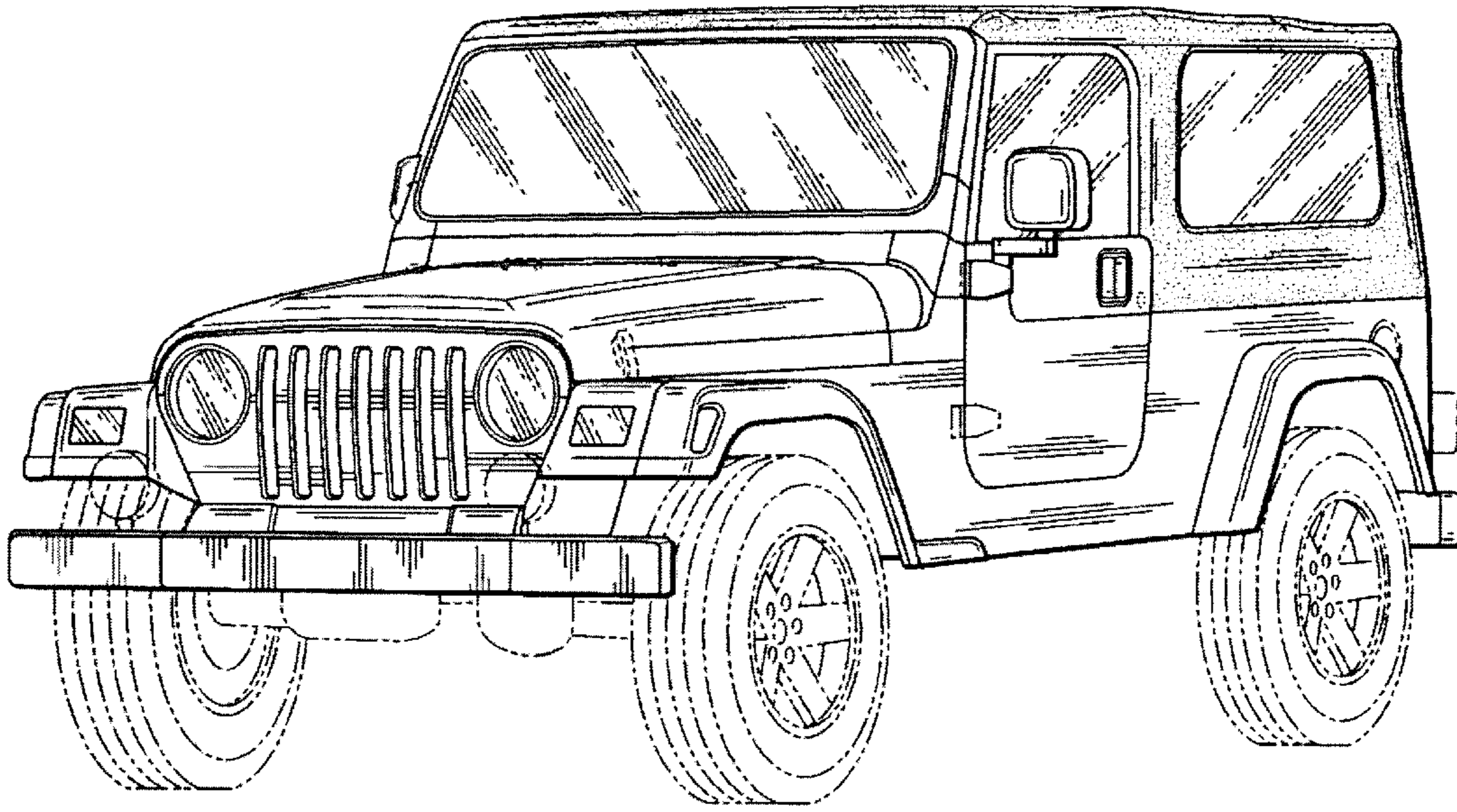


Fig. 11

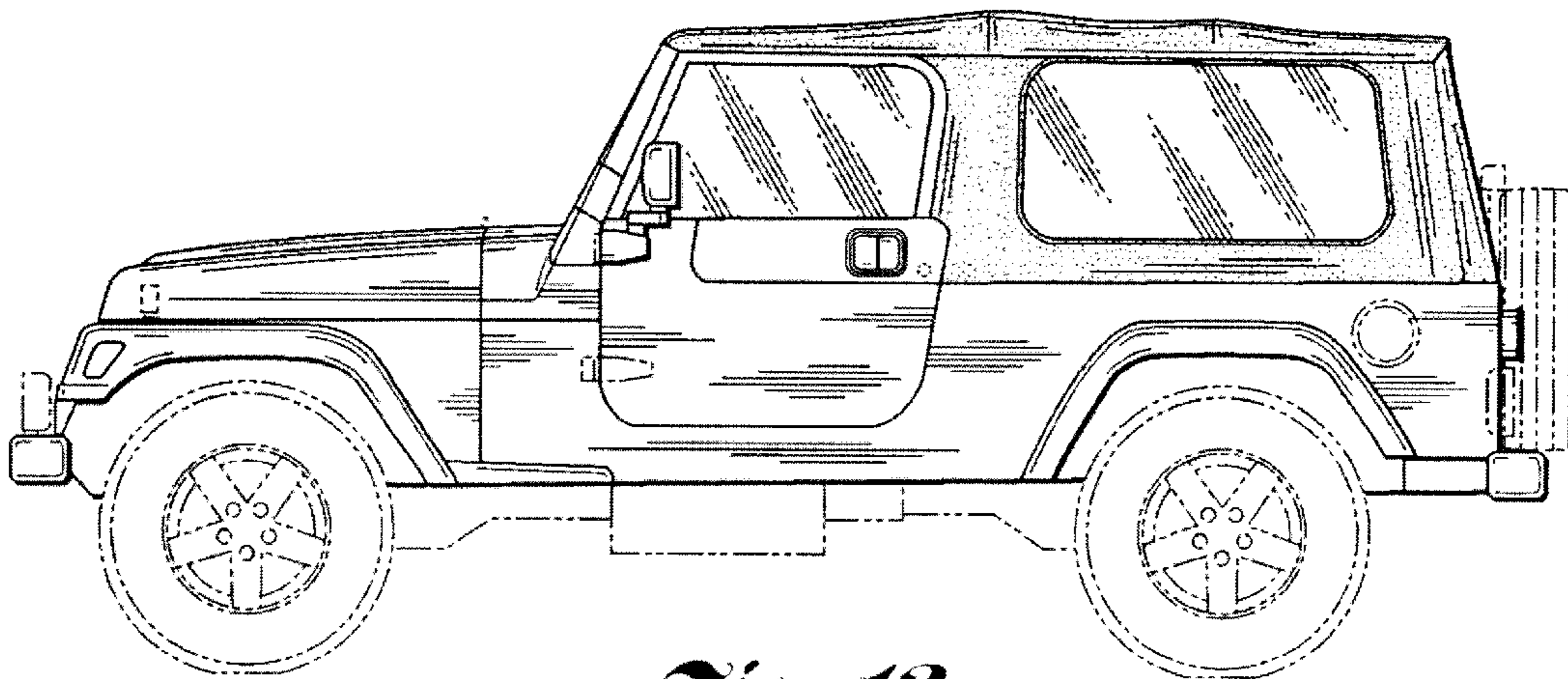


Fig. 12

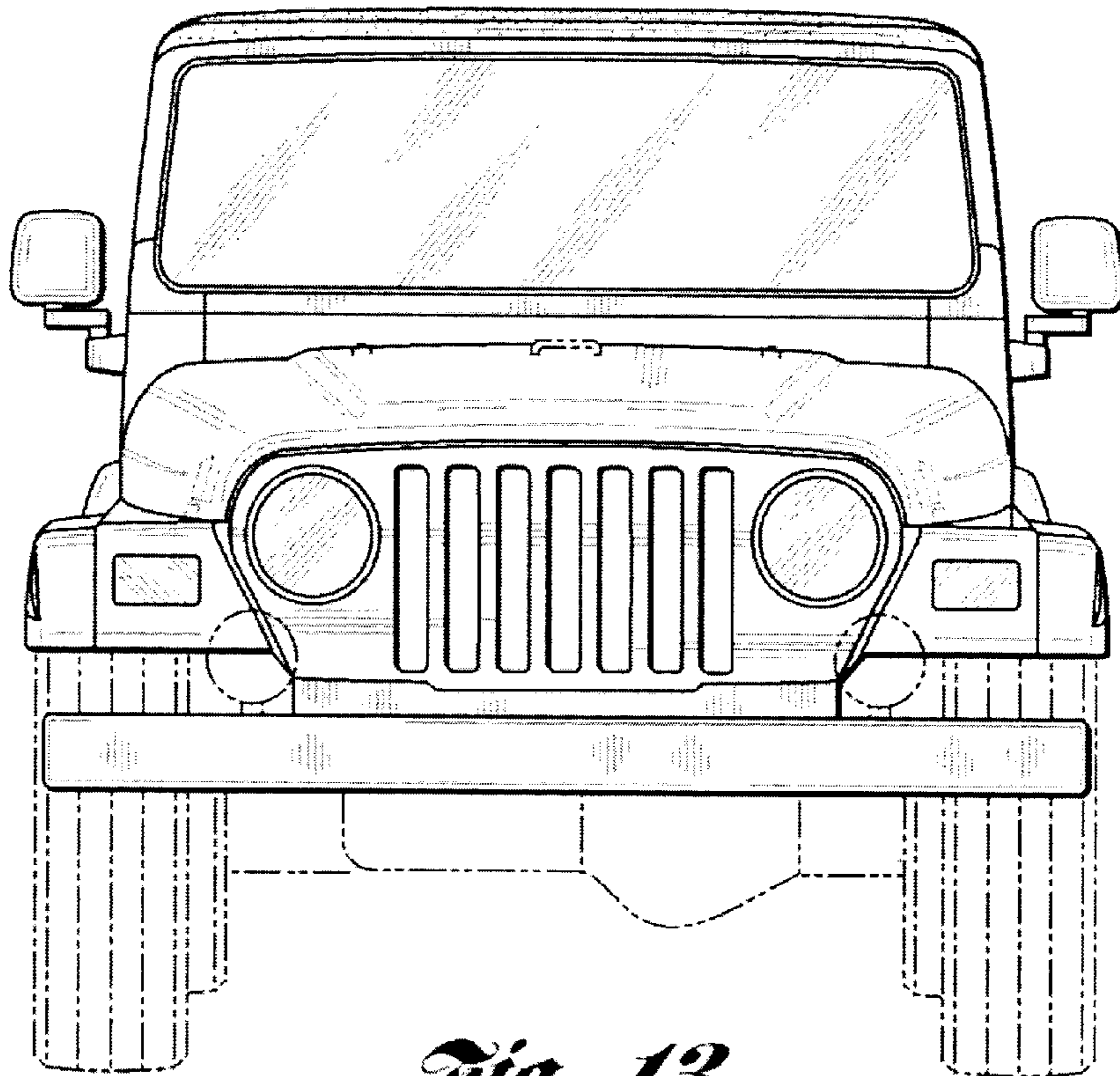


Fig. 13

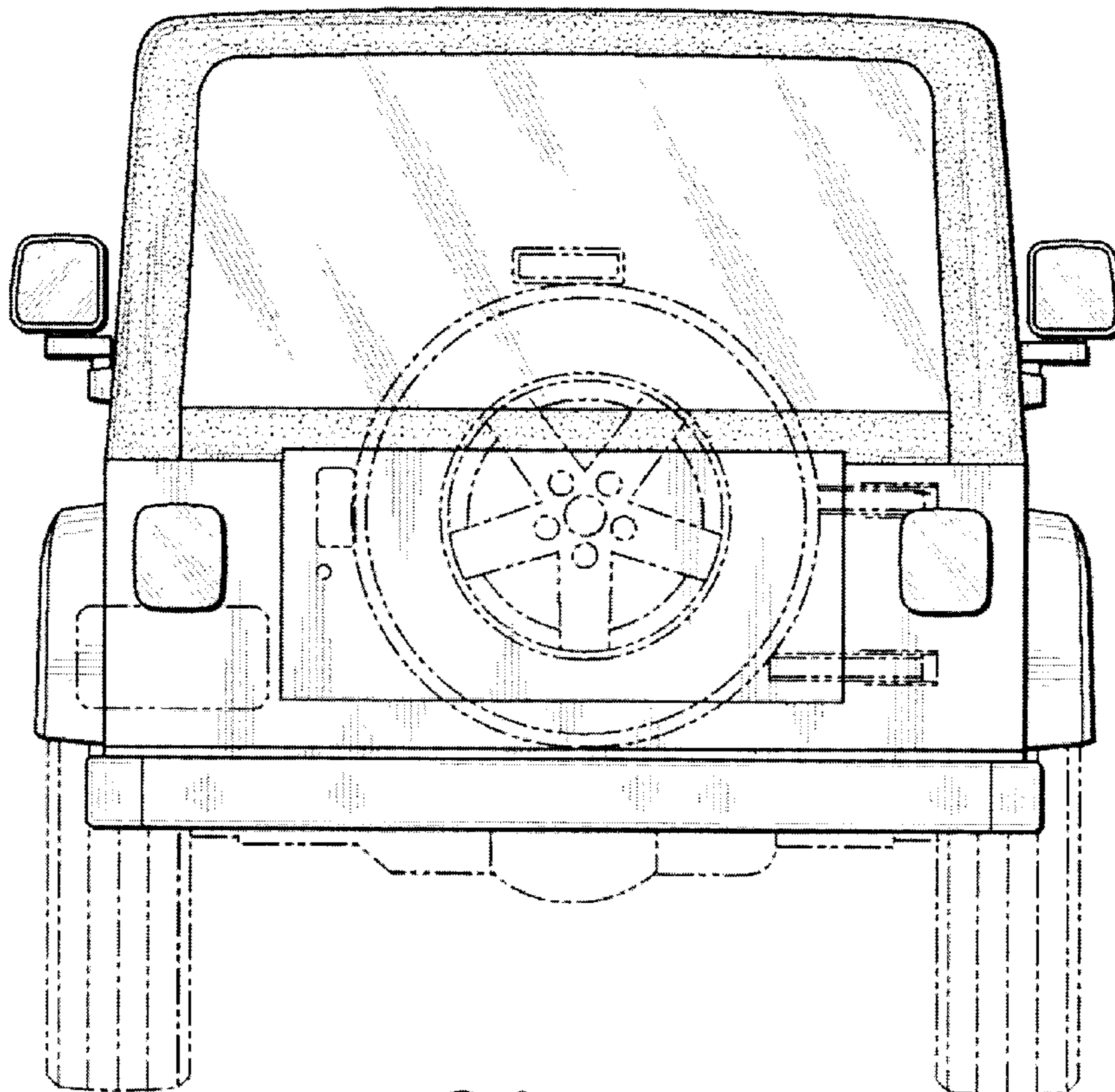


Fig. 14

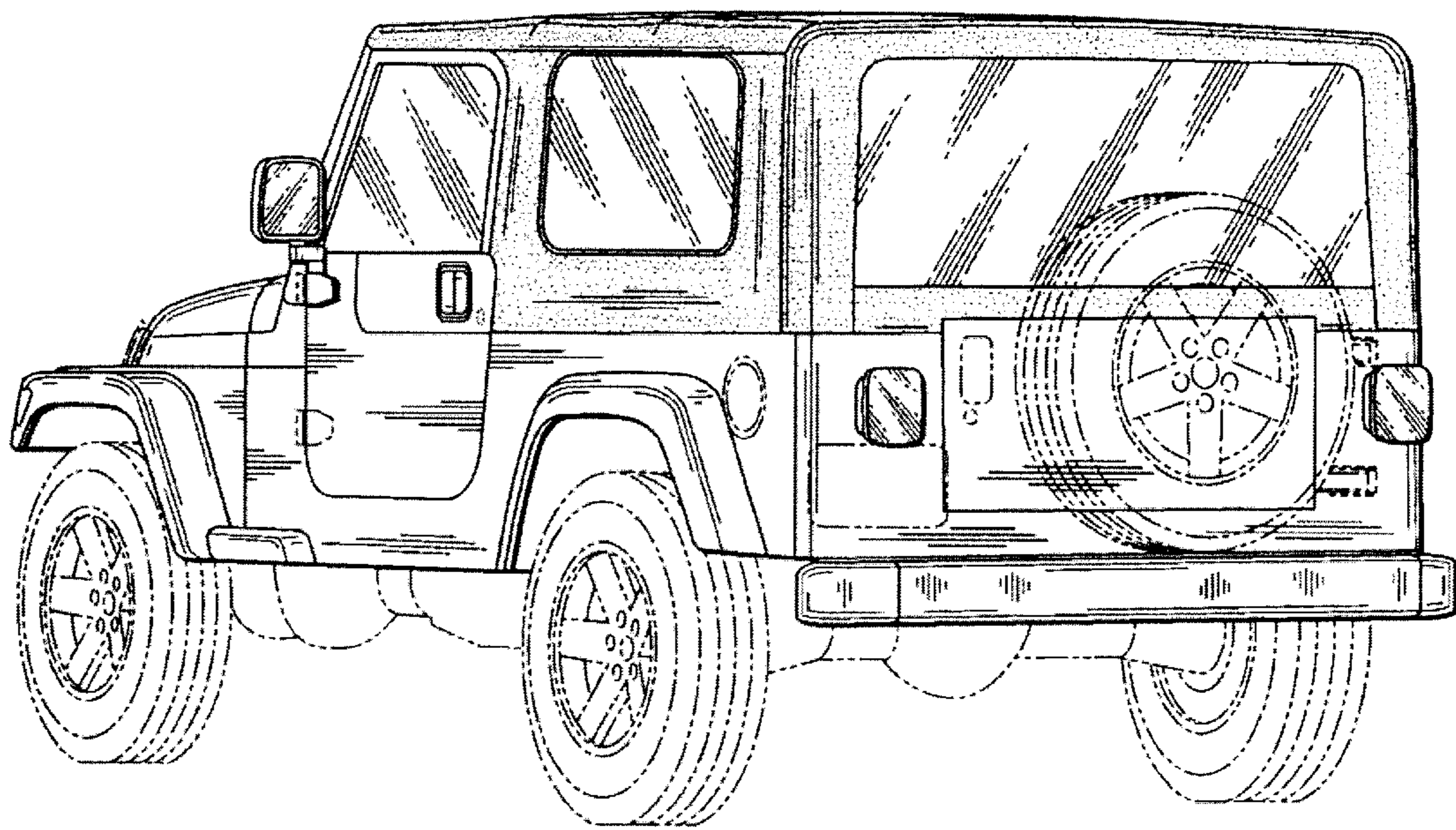


Fig. 15