

US00D507763S

(12) **United States Design Patent**
Kaneko et al.

(10) **Patent No.:** **US D507,763 S**
(45) **Date of Patent:** **** Jul. 26, 2005**

(54) **BELT ADJUSTER**

D427,547 S * 7/2000 Yoshiguchi D11/218
D456,309 S * 4/2002 Yoshiguchi D11/218

(75) Inventors: **Hitoshi Kaneko**, Kurobe (JP);
Shinichiro Kinebuchi, Tokyo (JP);
Kayo Fujimoto, Tokyo (JP)

FOREIGN PATENT DOCUMENTS

JP 675371 3/1986
JP 777431 12/1989
JP 675371-2 10/1991
JP 675371-3 10/1992

(73) Assignee: **YKK Corporation**, Tokyo (JP)

(**) Term: **14 Years**

OTHER PUBLICATIONS

(21) Appl. No.: **29/202,693**

Catalogue page of a buckle, Wujin Plastic, Korea, classification sign B9130C, classification no. D2003052289, Mar. 8, 2001, 1 page.

(22) Filed: **Apr. 2, 2004**

(30) **Foreign Application Priority Data**

Oct. 3, 2003 (JP) 2003-029185

* cited by examiner

(51) **LOC (8) Cl.** **02-07**

Primary Examiner—Ralf Seifert

(52) **U.S. Cl.** **D11/218**

(74) *Attorney, Agent, or Firm*—Michael S. Leonard;
Everest Intellectual Property Law Group

(58) **Field of Search** D11/200, 201,
D11/208–210, 212–218, 220, 230–234,
237, 86–87, 94; 63/15.2, 15; 24/307, 625,
616, 200, 196, 171, 169, 112

(57) **CLAIM**

The ornamental design for a belt adjuster, as shown and described.

(56) **References Cited**

DESCRIPTION

U.S. PATENT DOCUMENTS

D301,215 S 5/1989 Crowle
D328,044 S * 7/1992 Murai D11/218
D340,008 S * 10/1993 Anscher D11/218
D364,833 S 12/1995 Matoba
D386,110 S * 11/1997 Hetrick et al. D11/218
D399,172 S 10/1998 Anscher
D419,106 S * 1/2000 Uehara D11/218

FIG. 1 is a front view of a belt adjuster of the claimed design.
FIG. 2 is a rear view of the belt adjuster of FIG. 1.
FIG. 3 is a plan view of the belt adjuster of FIG. 1.
FIG. 4 is a bottom view of the belt adjuster of FIG. 1.
FIG. 5 is a right side view of the belt adjuster of FIG. 1; and,
FIG. 6 is a perspective view of the belt adjuster of FIG. 1.

1 Claim, 3 Drawing Sheets

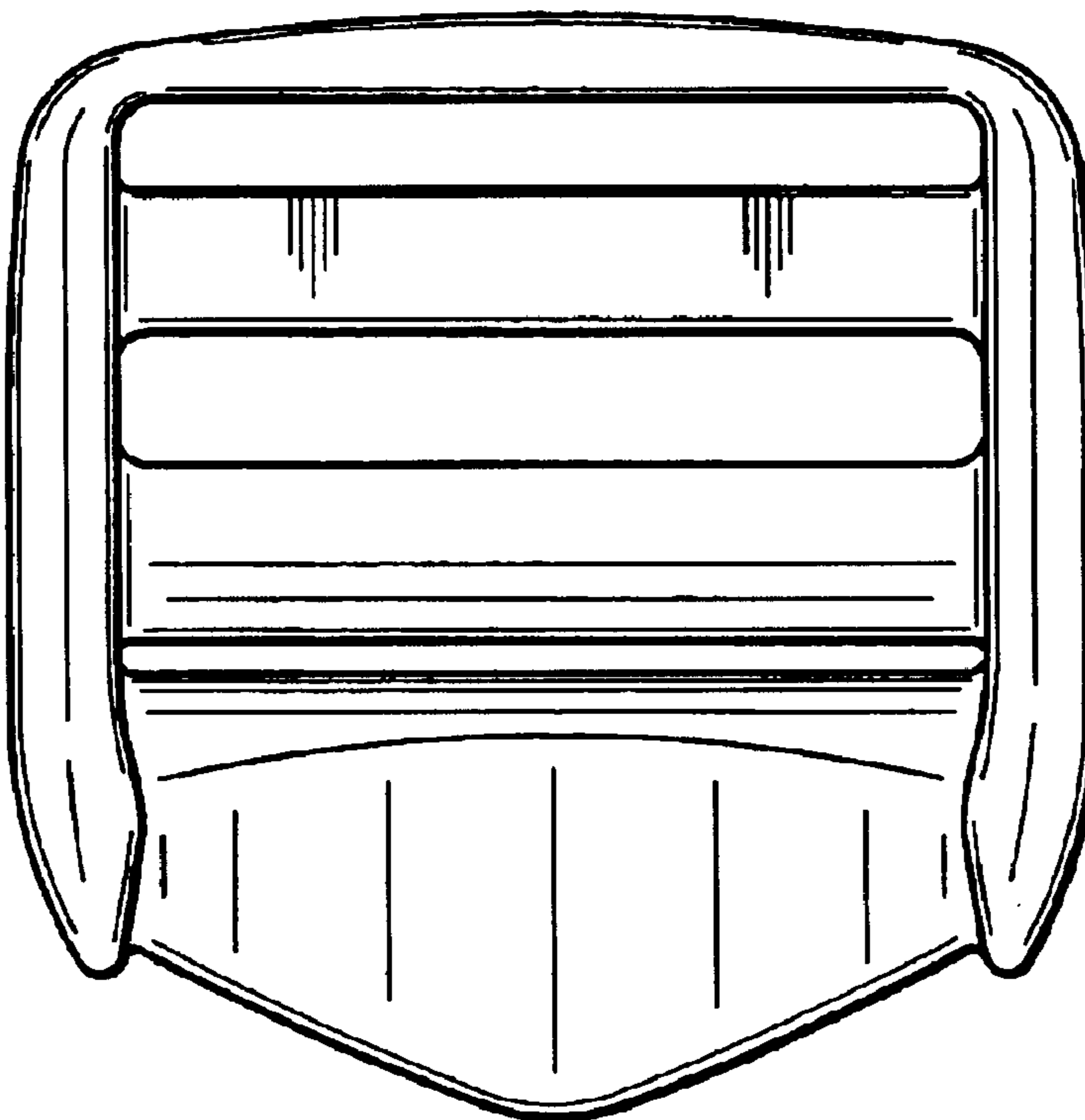


FIG. 1

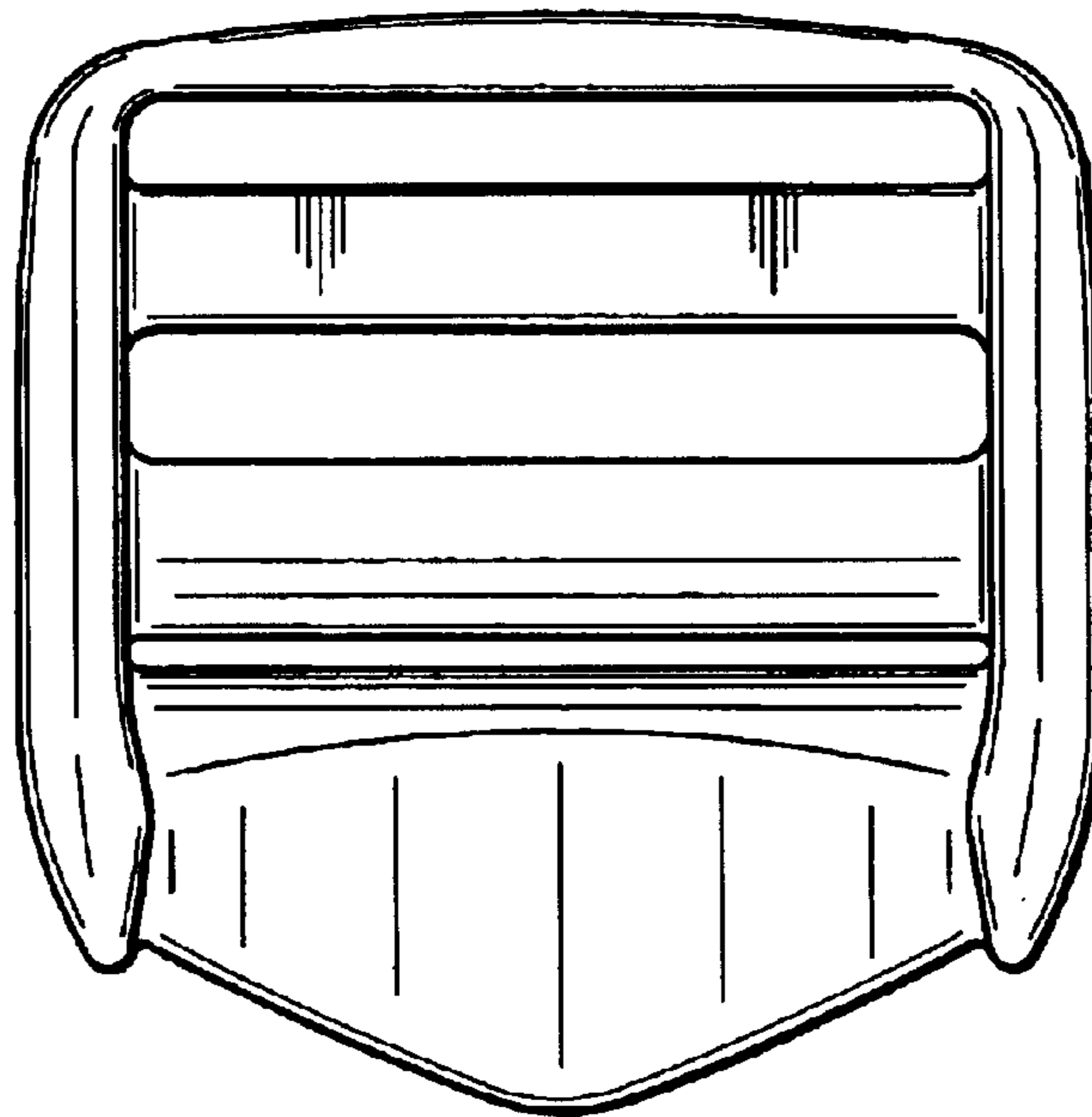


FIG. 2

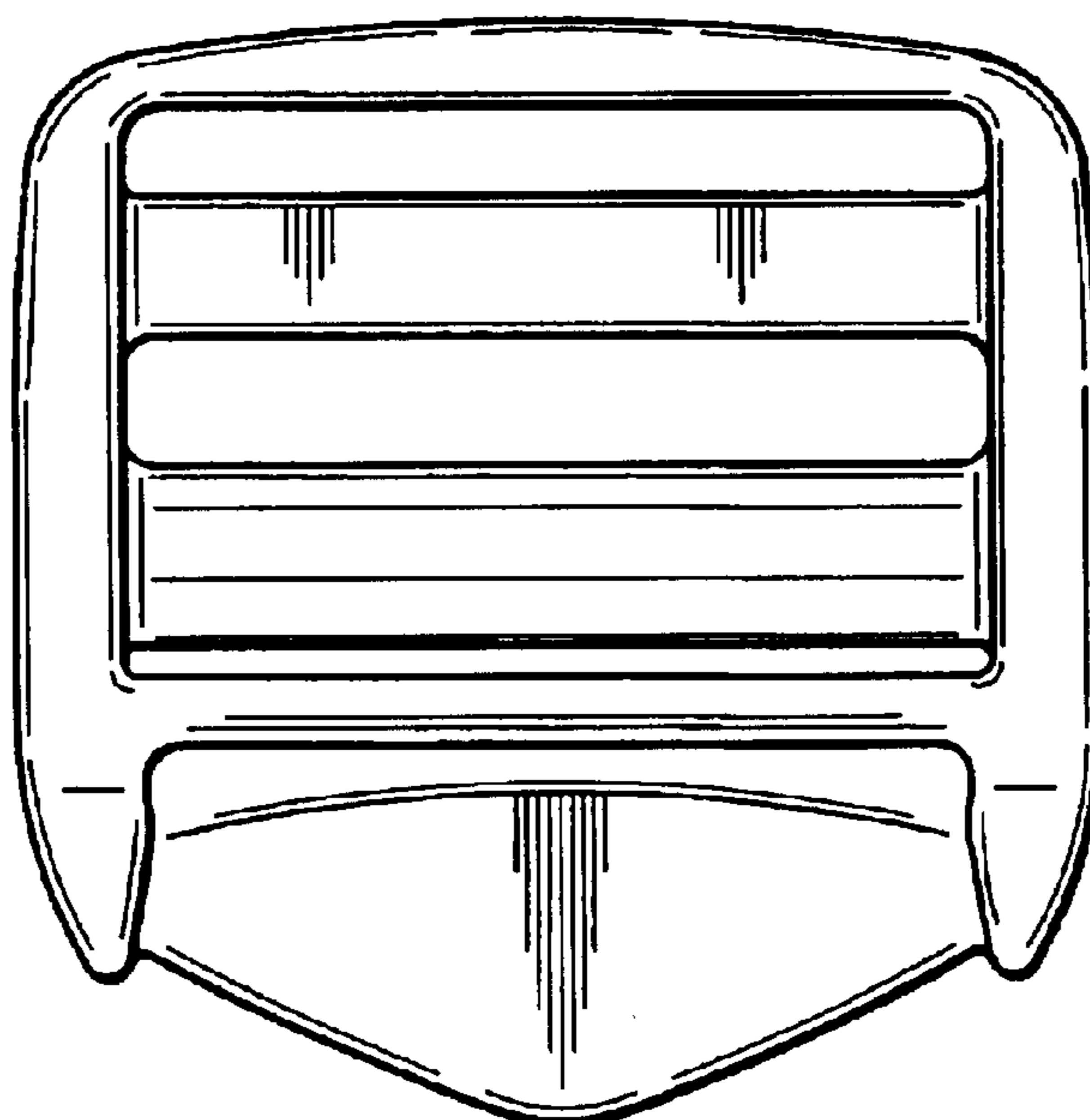


FIG. 3



FIG. 4

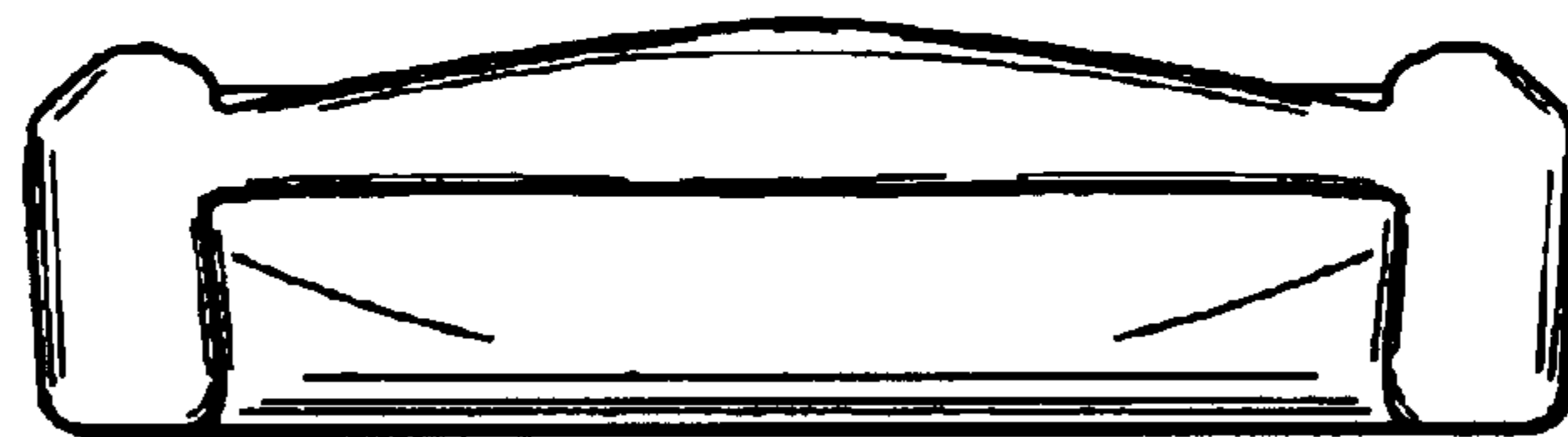


FIG. 5

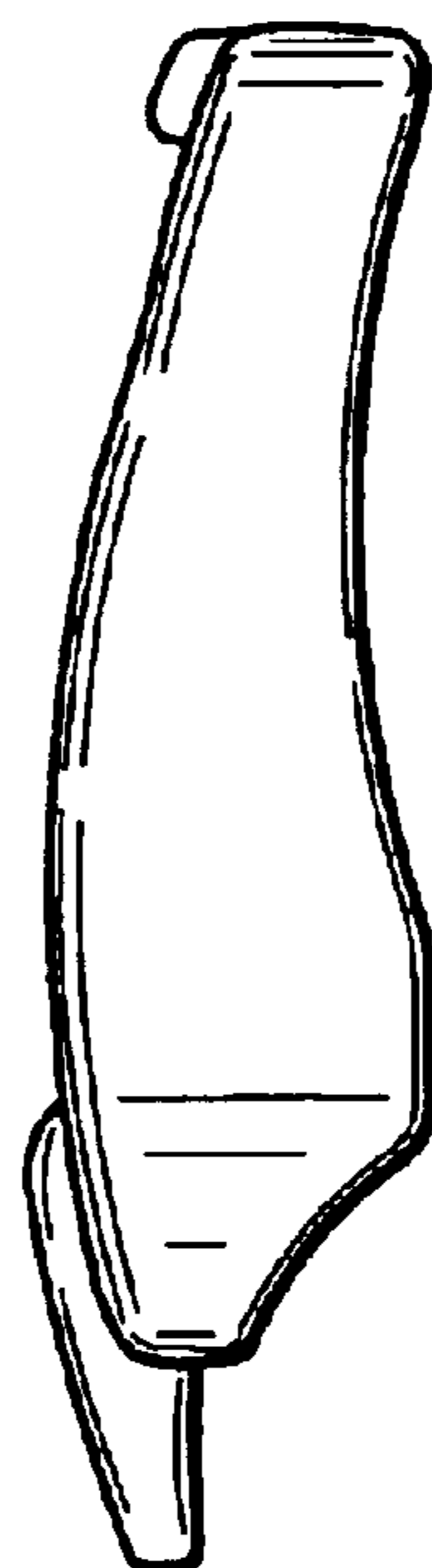


FIG. 6

