

US00D507758S

(12) **United States Design Patent**  
**Joss et al.**

(10) **Patent No.:** **US D507,758 S**  
(45) **Date of Patent:** **\*\* Jul. 26, 2005**

(54) **SCALE**

D482,629 S \* 11/2003 Simond et al. .... D10/92  
D494,880 S \* 8/2004 Juteau ..... D10/92

(75) Inventors: **Michael S. Joss**, Chicago, IL (US);  
**Peter Joseph Zerillo**, Chicago, IL (US)

\* cited by examiner

(73) Assignee: **Tanita Corporation**, Tokyo (JP)

*Primary Examiner*—Antoine D. Davis  
(74) *Attorney, Agent, or Firm*—McDermott Will & Emery  
LLP

(\*\*) Term: **14 Years**

(57) **CLAIM**

(21) Appl. No.: **29/196,625**

The ornamental design for a scale, as shown and described.

(22) Filed: **Dec. 30, 2003**

**DESCRIPTION**

(51) **LOC (8) Cl.** ..... **10-04**

(52) **U.S. Cl.** ..... **D10/92**

(58) **Field of Search** ..... D15/139; 600/547,  
600/506; 324/692; 177/238–245, 177, 199,  
210 R, 25.12–25.19, DIG. 3, DIG. 4

FIG. 1 is a front perspective view of the scale showing the new design;  
FIG. 2 is a front view of the scale;  
FIG. 3 is a rear view of the scale;  
FIG. 4 is a side view of the scale;  
FIG. 5 is another side view of the scale;  
FIG. 6 is a top view of the scale; and,  
FIG. 7 is a bottom view of the scale.

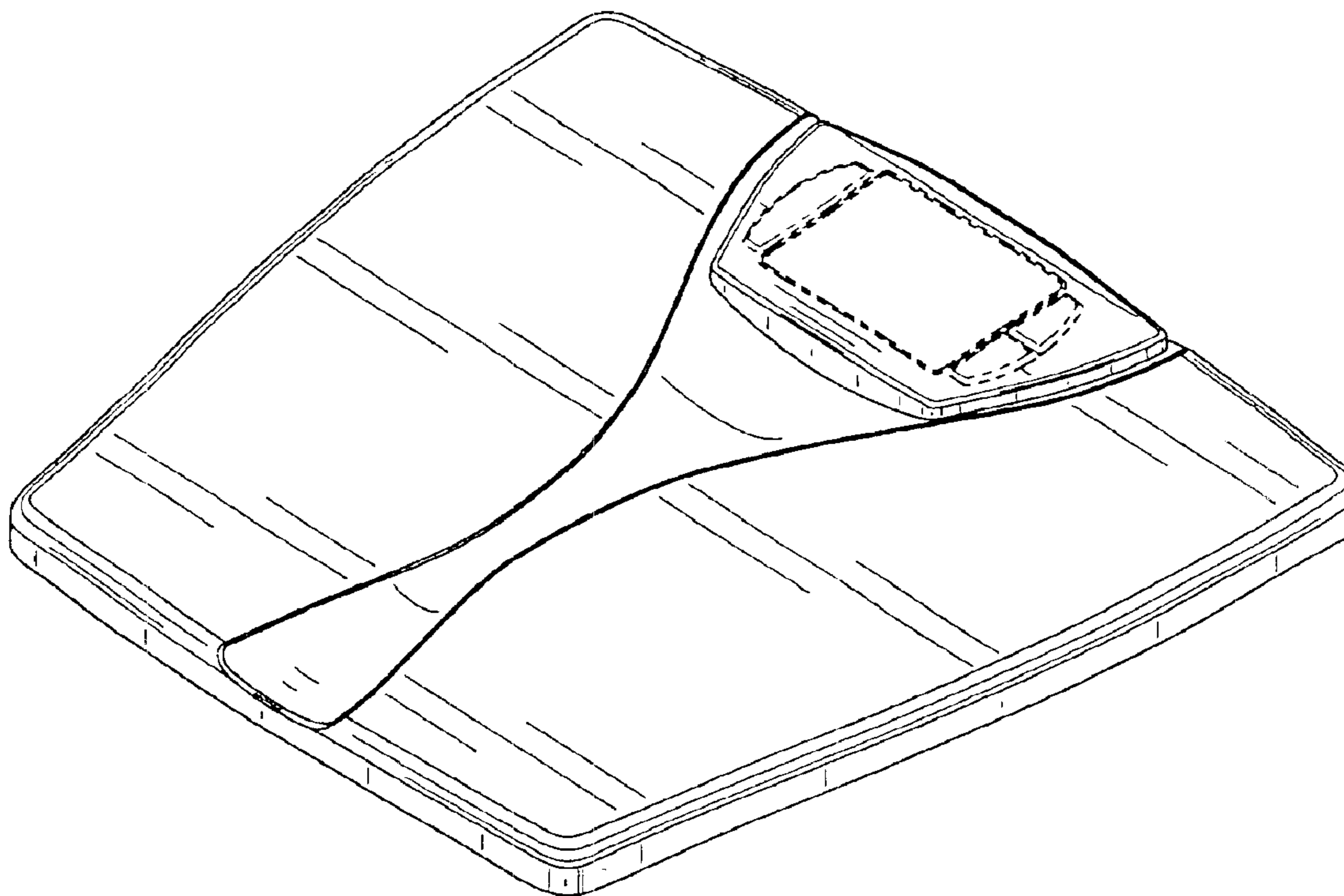
(56) **References Cited**

**U.S. PATENT DOCUMENTS**

D449,554 S \* 10/2001 Montagnino et al. .... D10/92  
D458,168 S \* 6/2002 Andrieu ..... D10/92  
D469,028 S \* 1/2003 Stephens ..... D10/92  
D476,030 S \* 6/2003 Wiel et al. .... D10/92

The broken line showing is for illustrative purposes only and forms no part of the claimed design.

**1 Claim, 5 Drawing Sheets**



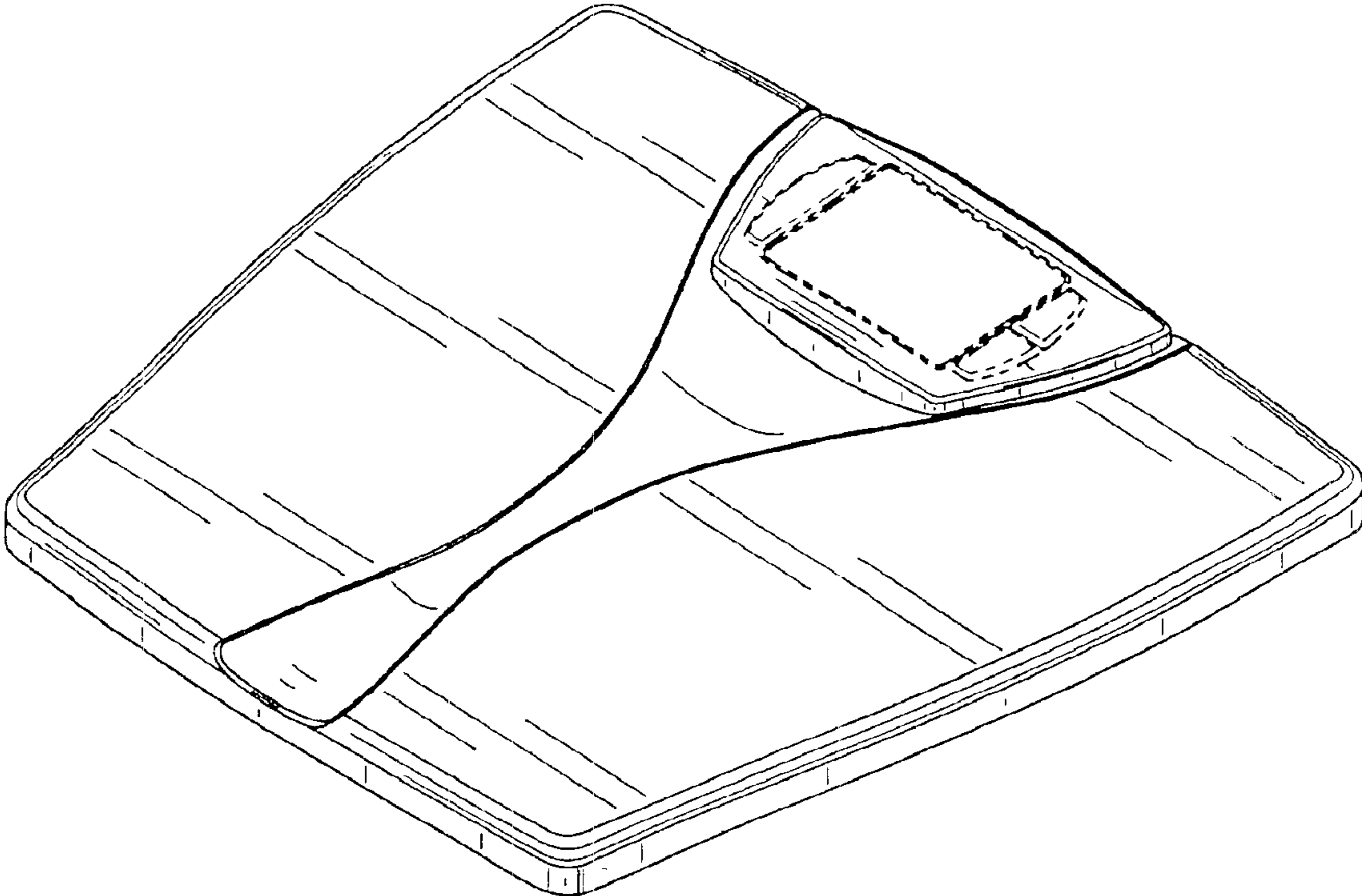


FIG. 1

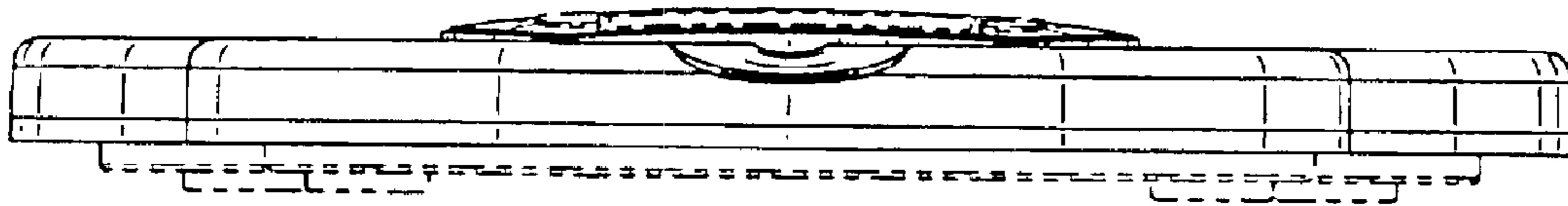


FIG. 2

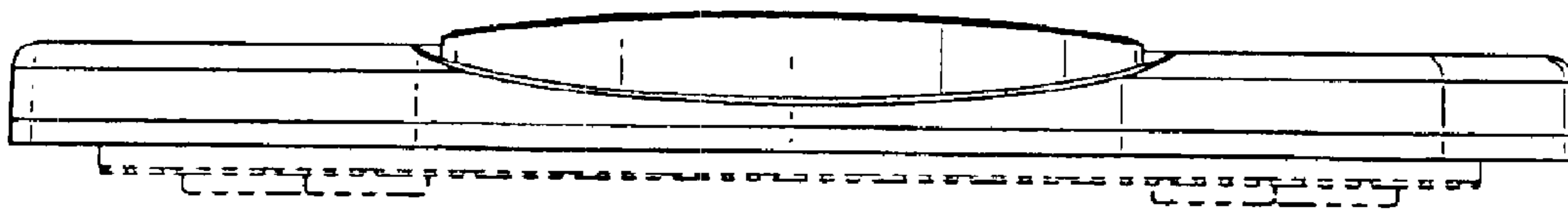


FIG. 3

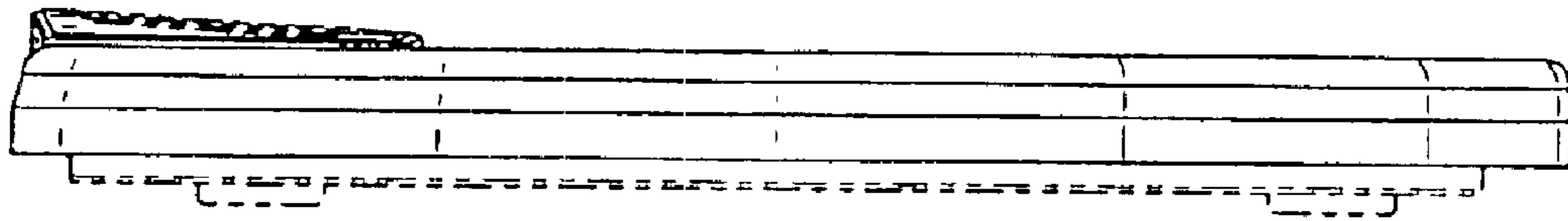


FIG. 4

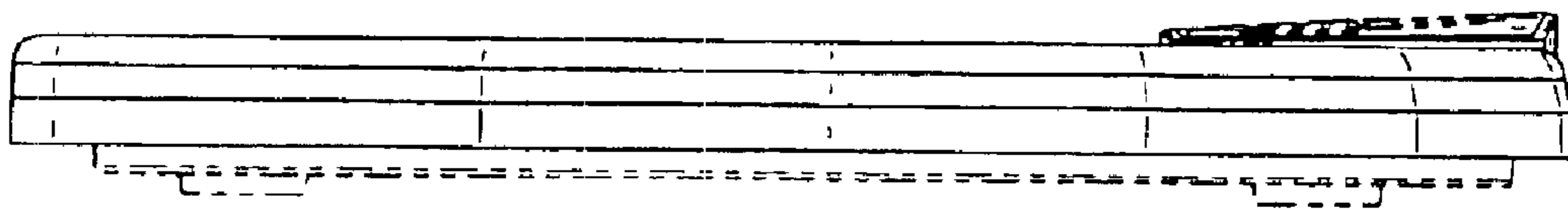


FIG. 5

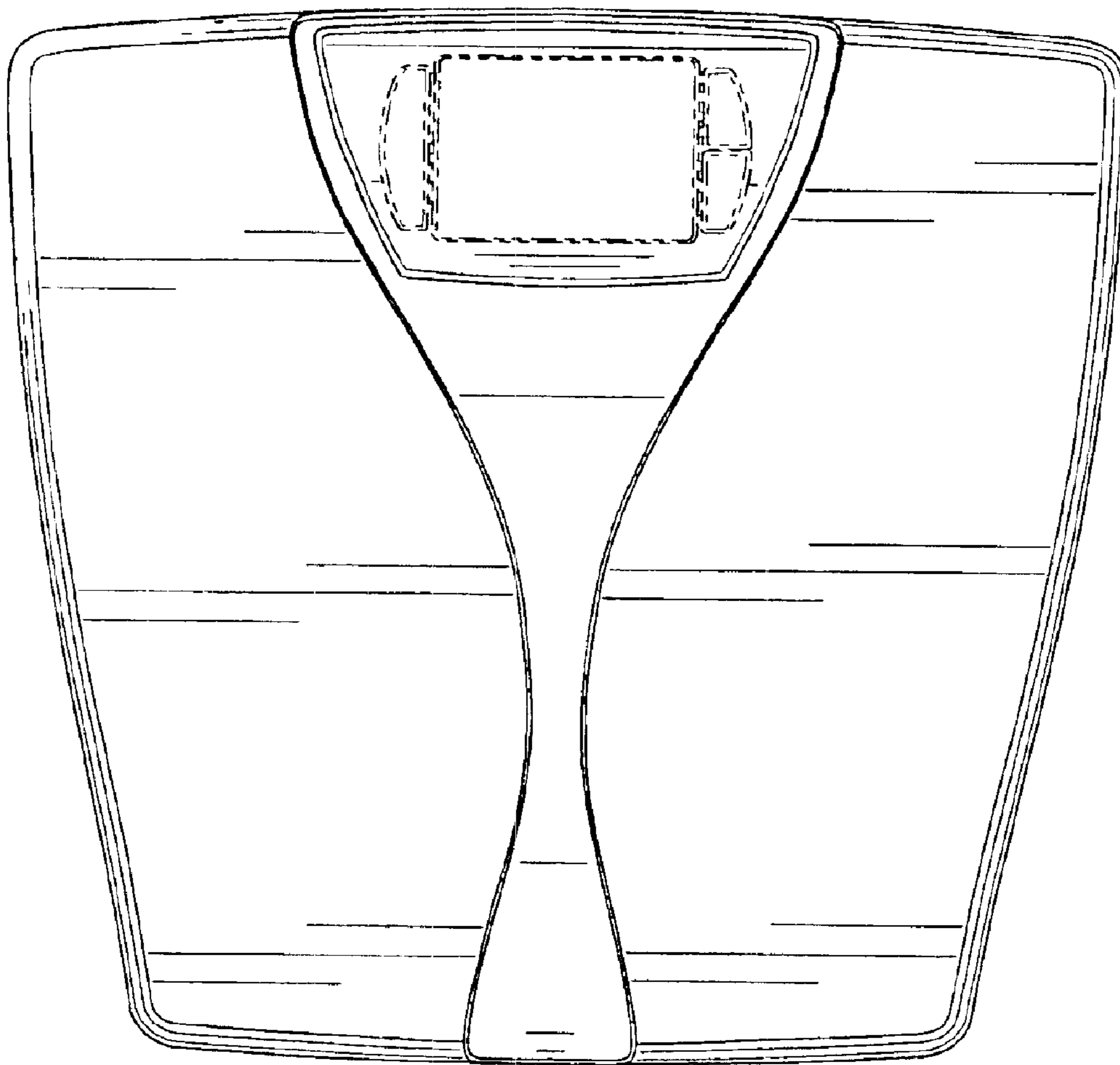


FIG. 6

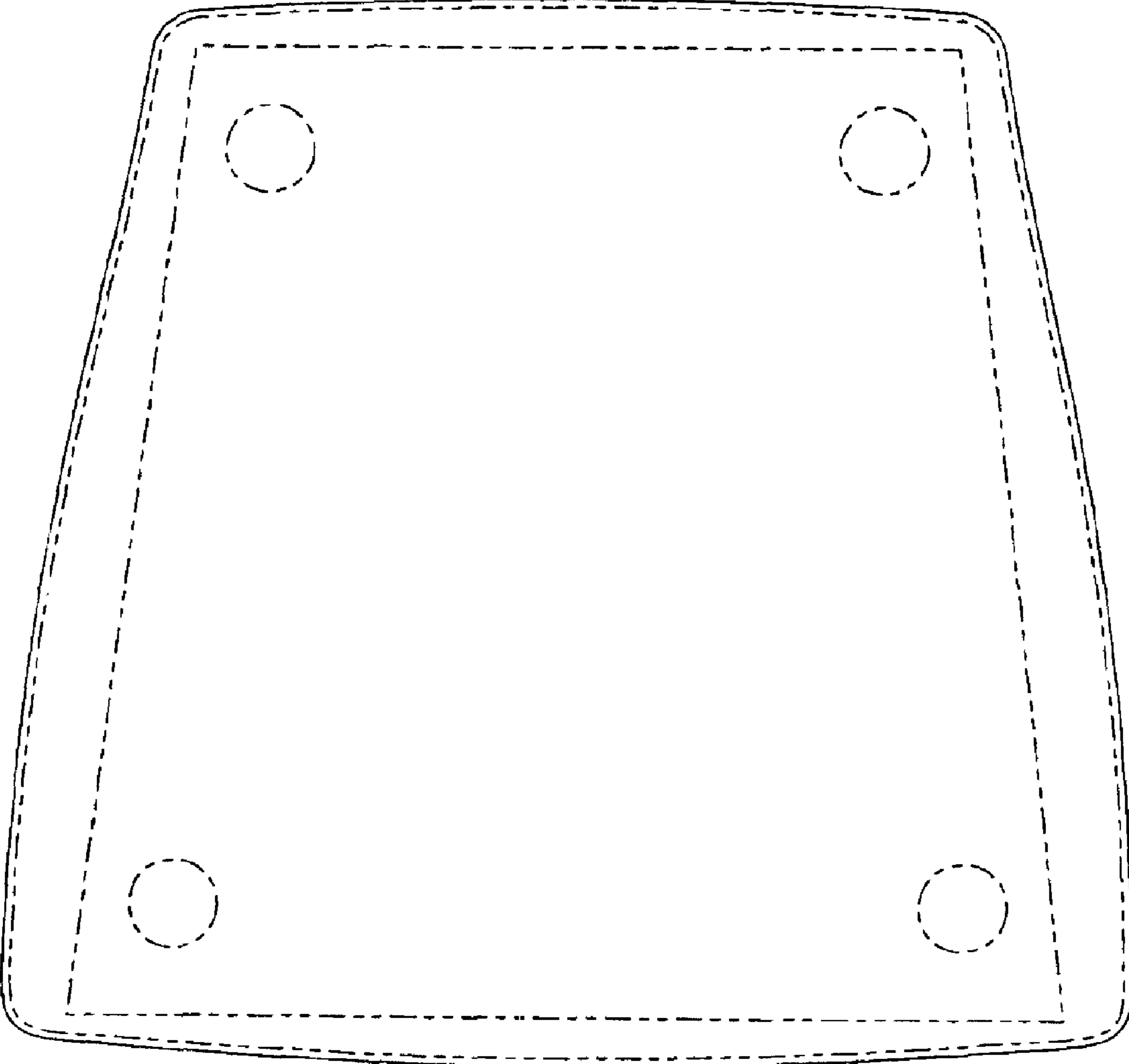


FIG. 7