

US00D507757S

(12) **United States Design Patent**  
**Roher et al.**

(10) **Patent No.:** **US D507,757 S**  
(45) **Date of Patent:** **\*\* Jul. 26, 2005**

(54) **CONTROL DEVICE**

D496,870 S \* 10/2004 Stekelenburg ..... D10/50

(75) Inventors: **Michael Allen Roher**, Fort Wayne, IN (US); **Peter G. Pierret**, Fayetteville, NY (US); **John Boyd Havener**, Indianapolis, IN (US)

\* cited by examiner

*Primary Examiner*—Antoine D. Davis

(73) Assignee: **Carrier Corporation**, Farmington, CT (US)

(57) **CLAIM**

The ornamental design for a control device, as shown and described.

(\*\*) Term: **14 Years**

**DESCRIPTION**

(21) Appl. No.: **29/197,659**

The present design is embodied in a control device for use in heating, ventilating and air conditioning systems.

(22) Filed: **Jan. 17, 2004**

FIG. 1 is a front elevational view of the control device;

(51) **LOC (8) Cl.** ..... **10-04**

FIG. 2 is a top elevational view of the control device;

(52) **U.S. Cl.** ..... **D10/50**

FIG. 3 is a bottom elevational view of the control device;

(58) **Field of Search** ..... D10/50; 236/46 R, 236/47, 49.3, 78 R, 94 D, 94, 1 C; 337/345, 392, 398

FIG. 4 is a left side elevational view of the control device;

FIG. 5 is a right side elevational view of the control device;

FIG. 6 is a front elevational view of the control device when a front cover is rotated about a hinge to reveal an interior control panel;

FIG. 7 is a front elevational view of the control device, having information on a display; and,

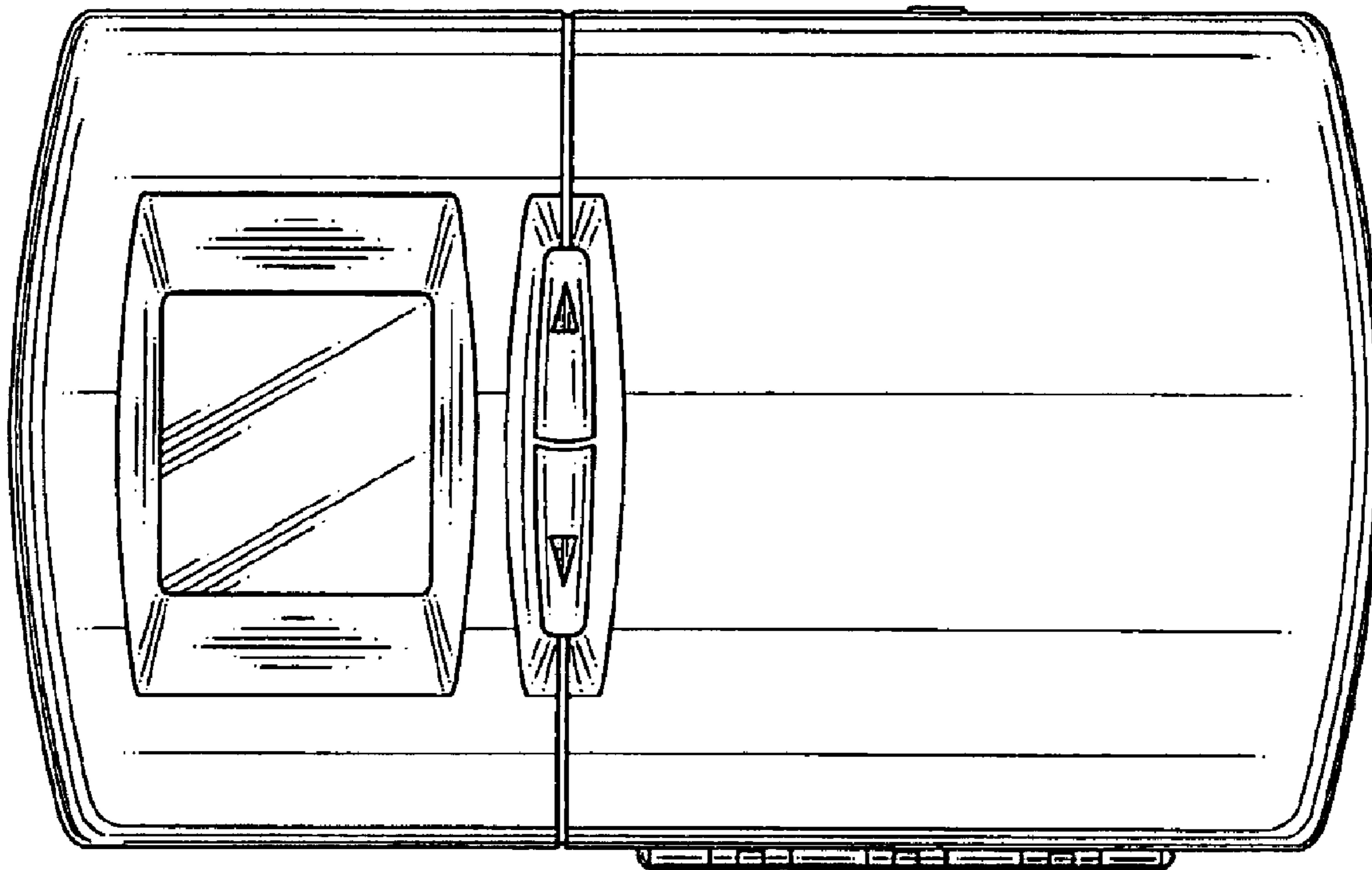
FIG. 8 is a front elevational view of the control device, having a back plate.

(56) **References Cited**

**U.S. PATENT DOCUMENTS**

- D418,762 S \* 1/2000 Dushane et al. .... D10/49
- D435,224 S \* 12/2000 King et al. .... D10/49
- D490,726 S \* 6/2004 Eungprabhanth et al. .... D10/49

**1 Claim, 4 Drawing Sheets**



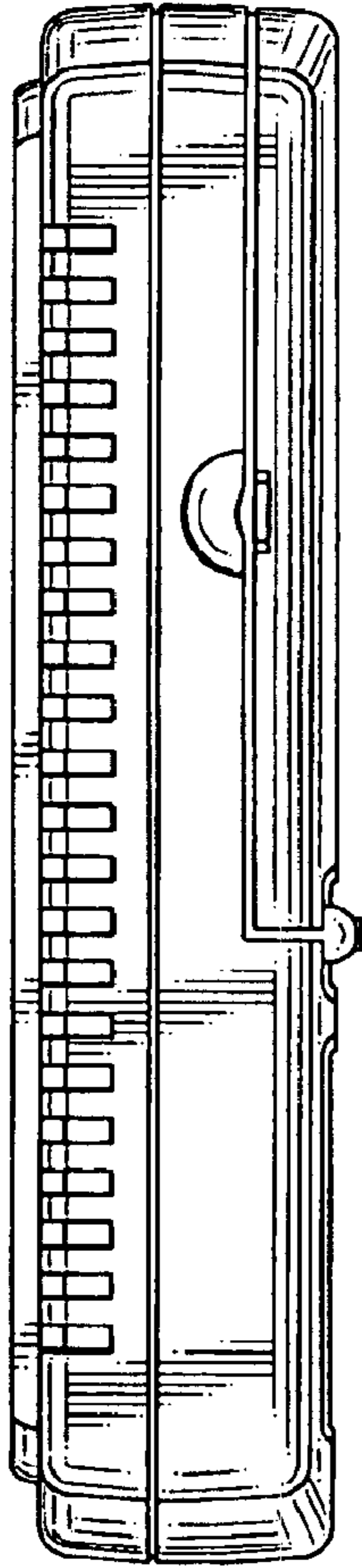


FIG. 2

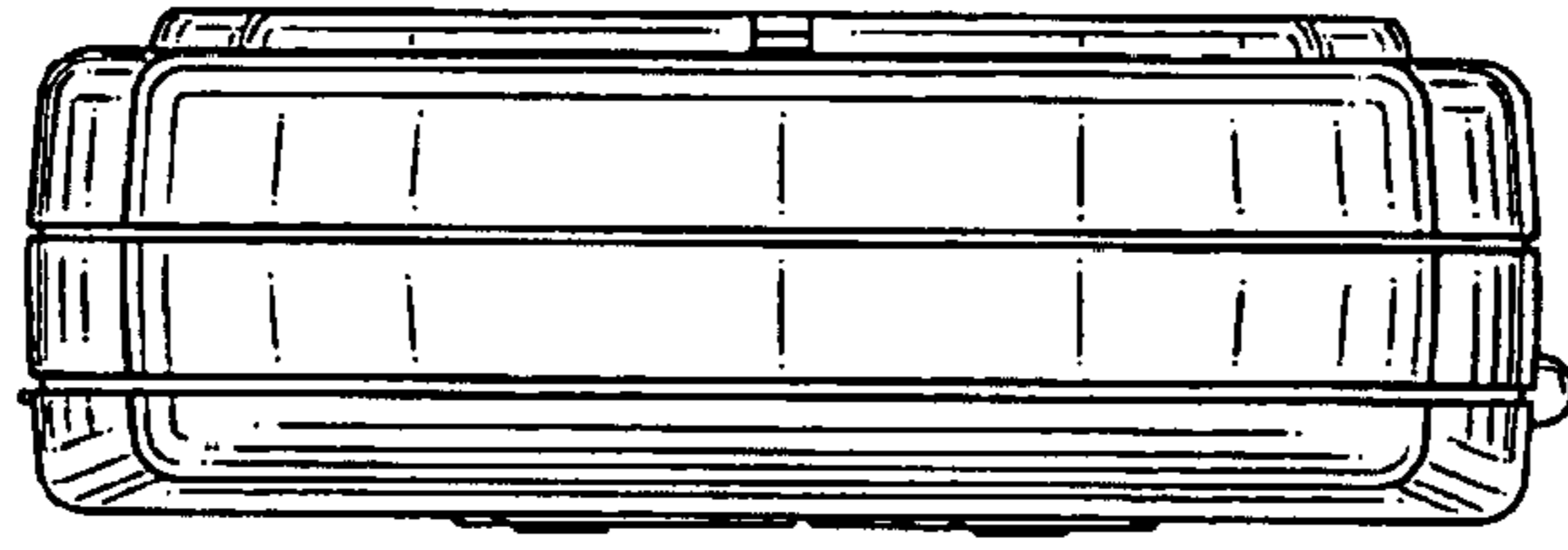


FIG. 5

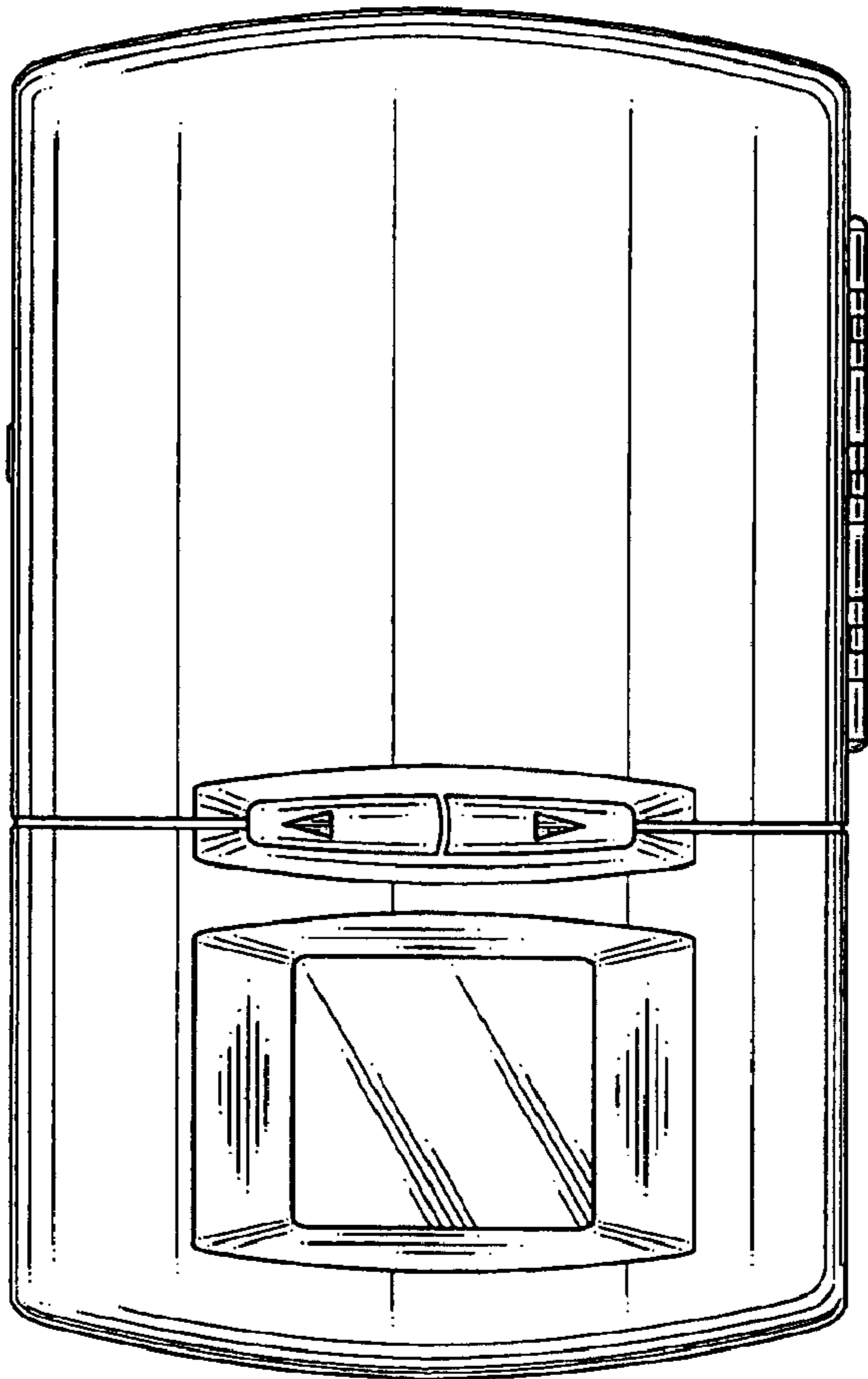


FIG. 1

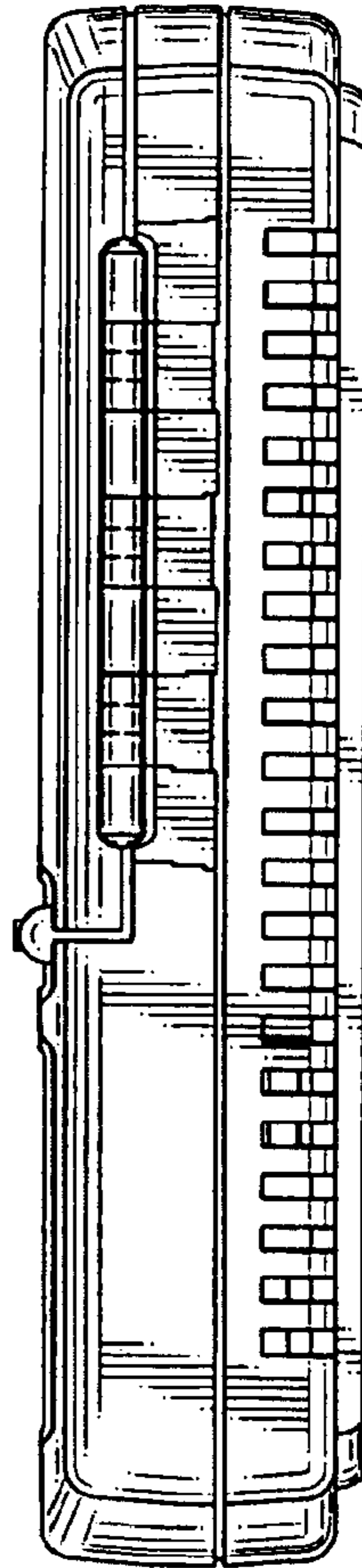


FIG. 3

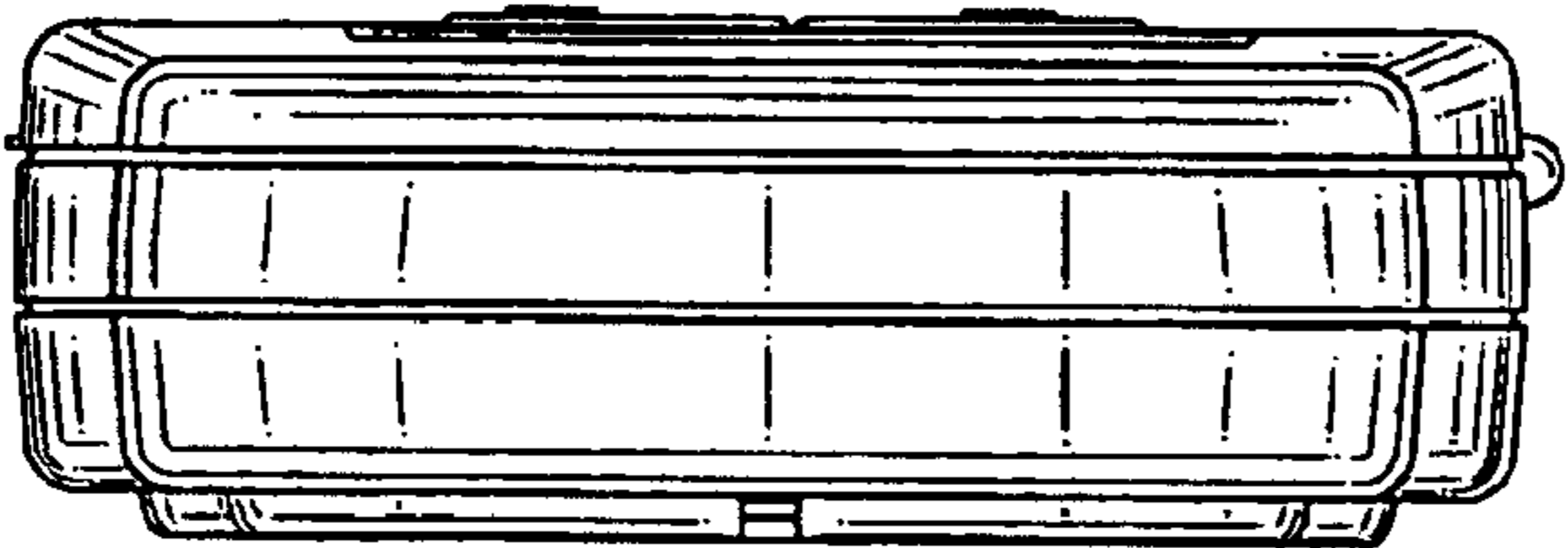


FIG. 4

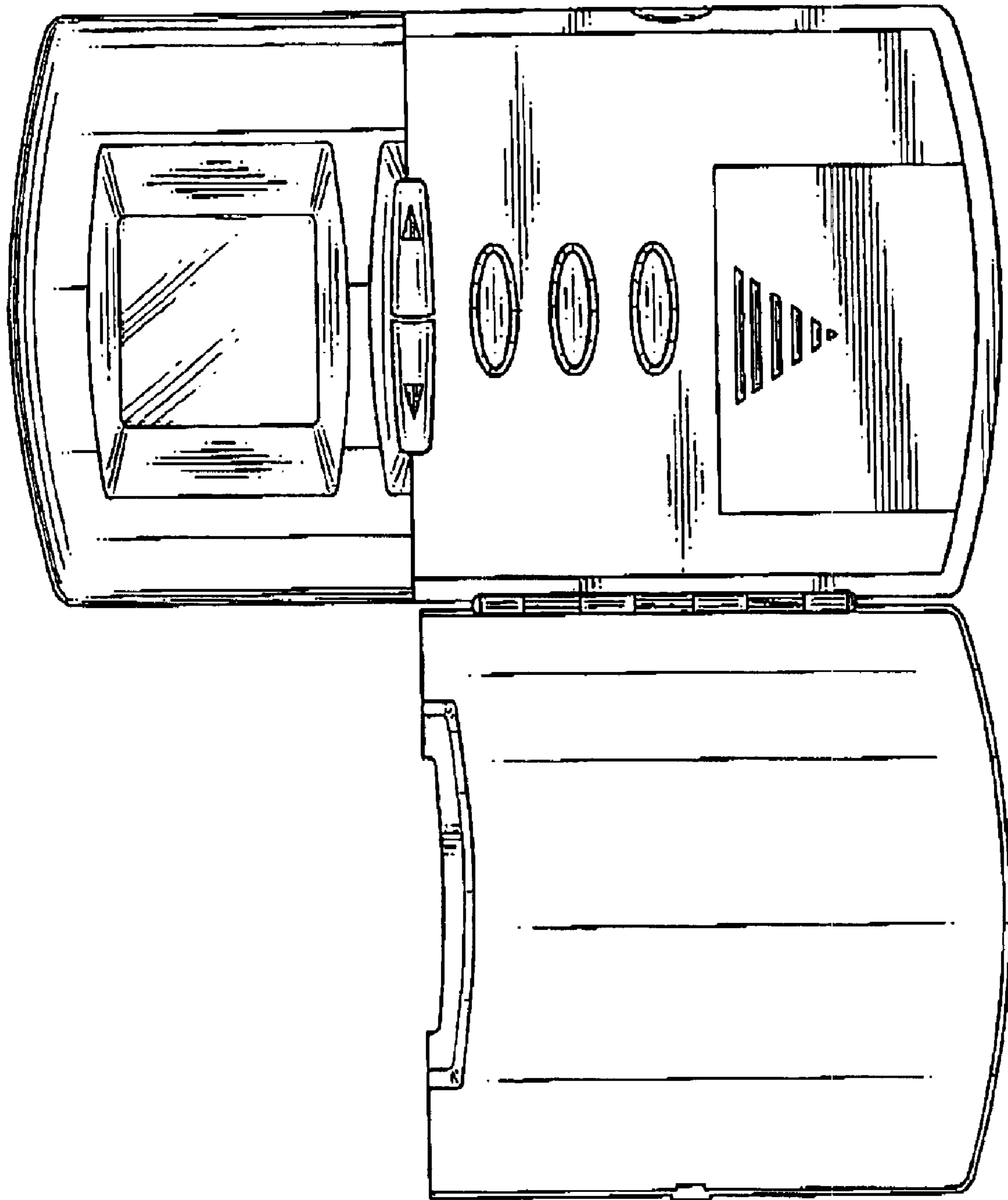


FIG. 6

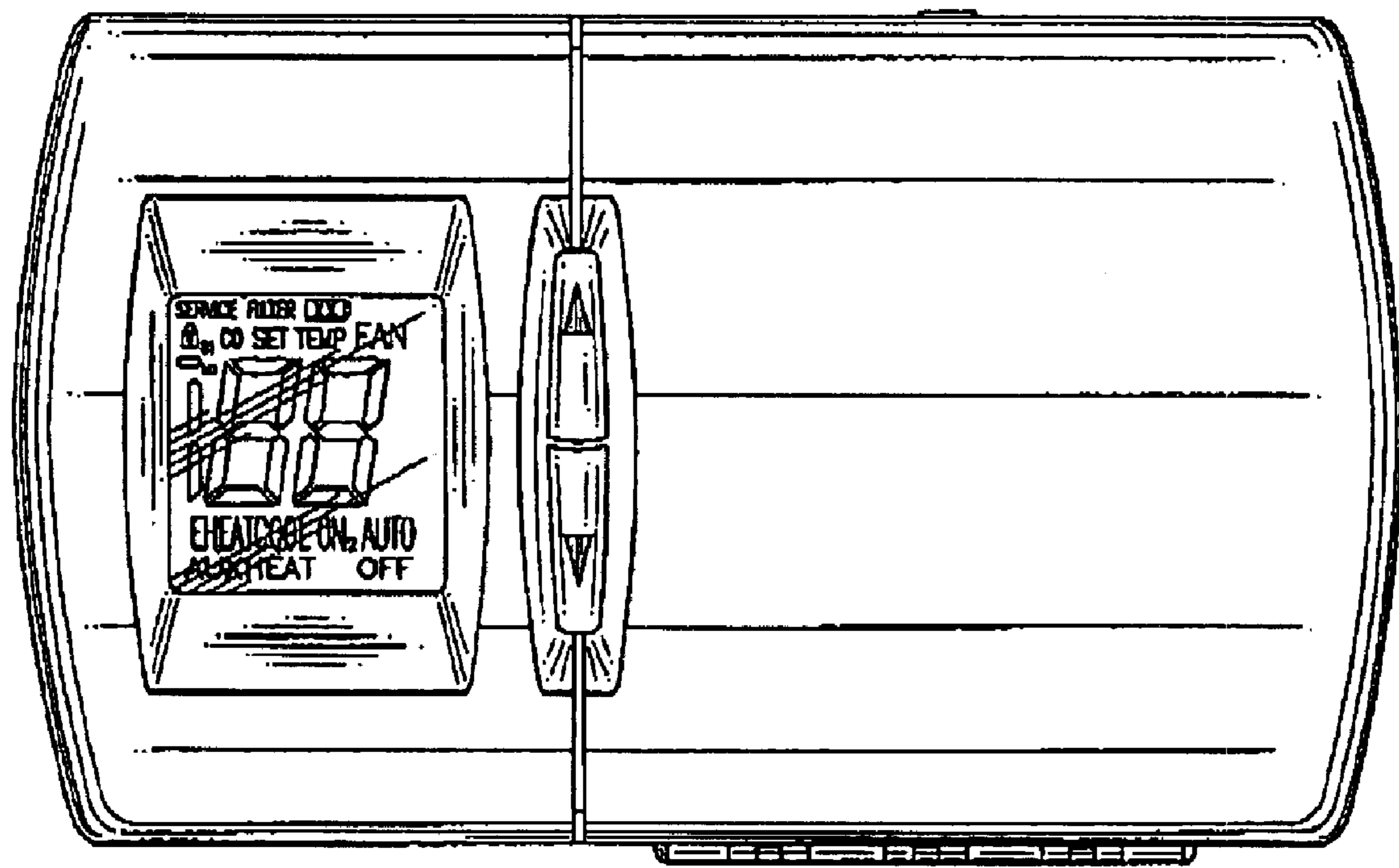
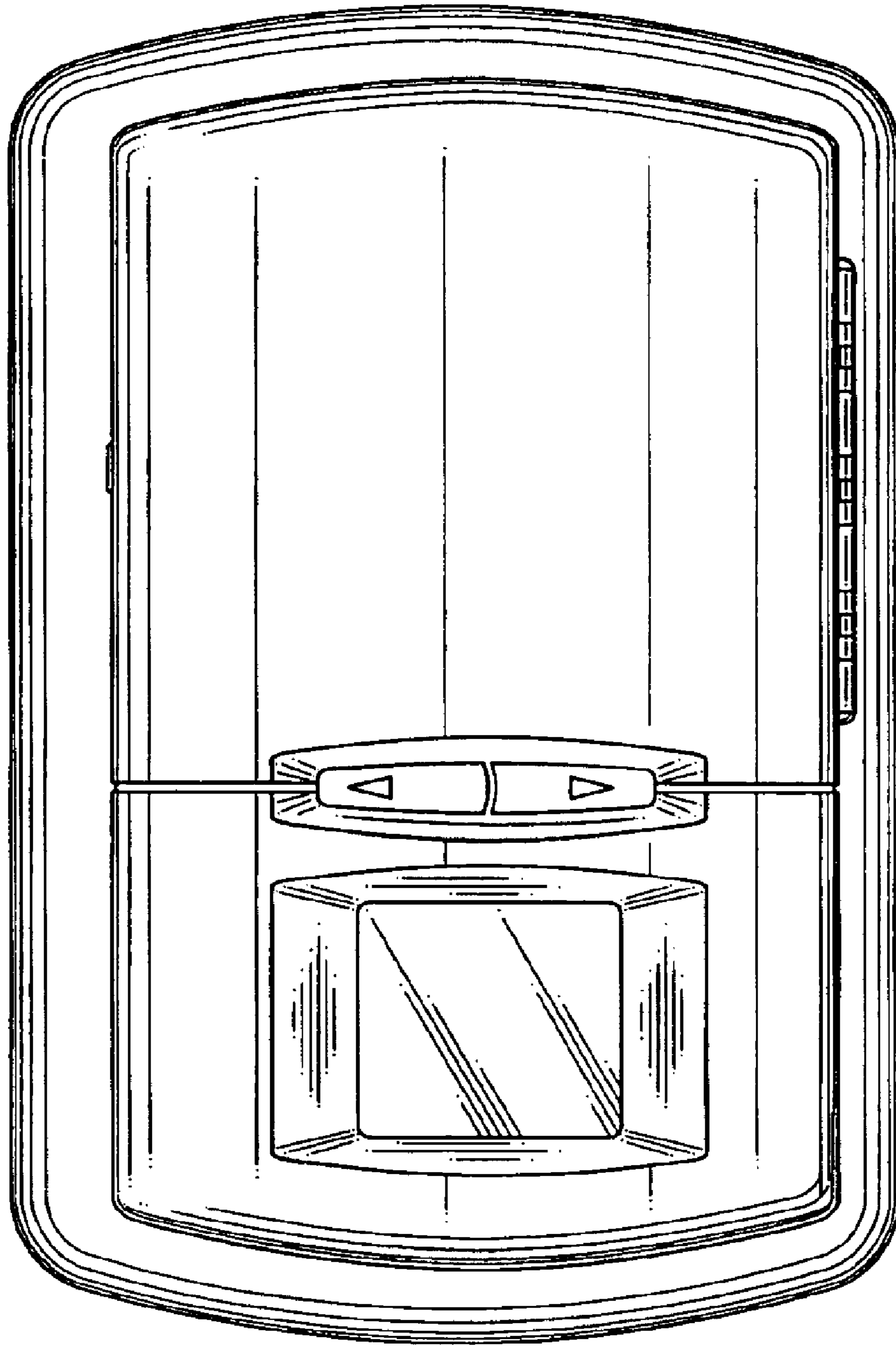


FIG.7



**FIG. 8**