

US00D507756S

(12) **United States Design Patent**  
**Hall**

(10) **Patent No.:** **US D507,756 S**  
(45) **Date of Patent:** **\*\* Jul. 26, 2005**

(54) **PRODUCE CLAMSHELL**

(76) **Inventor:** **Alex F. Hall**, 1060 W. Florence Ave.,  
Los Angeles, CA (US) 90301

(\*\*) **Term:** **14 Years**

5,590,805 A 1/1997 Knoss et al.  
D379,300 S 5/1997 Krupa et al.  
D396,408 S 7/1998 Carver  
D420,866 S 2/2000 VanHalteren et al.  
6,231,906 B1 5/2001 Alessi  
D447,684 S \* 9/2001 Hogman ..... D9/757

(Continued)

(21) **Appl. No.:** **29/201,449**

(22) **Filed:** **Mar. 15, 2004**

(51) **LOC (8) Cl.** ..... **09-03**

(52) **U.S. Cl.** ..... **D9/761; D9/757**

(58) **Field of Search** ..... D9/737, 756, 757,  
D9/759, 761, 762, 420, 424, 425, 426,  
454, 415, 418, 347, 732; 220/508; 217/26.5;  
206/493, 499, 521, 521.1, 521.7, 521.8,  
521.15

*Primary Examiner*—Stella Reid  
*Assistant Examiner*—Mark A. Goodwin  
(74) *Attorney, Agent, or Firm*—Michael Blaine Brooks  
P.C.; Michael B. Brooks; Andrew S. Naglestad

(57) **CLAIM**

I claim the ornamental design for a produce clamshell, as shown and described.

**DESCRIPTION**

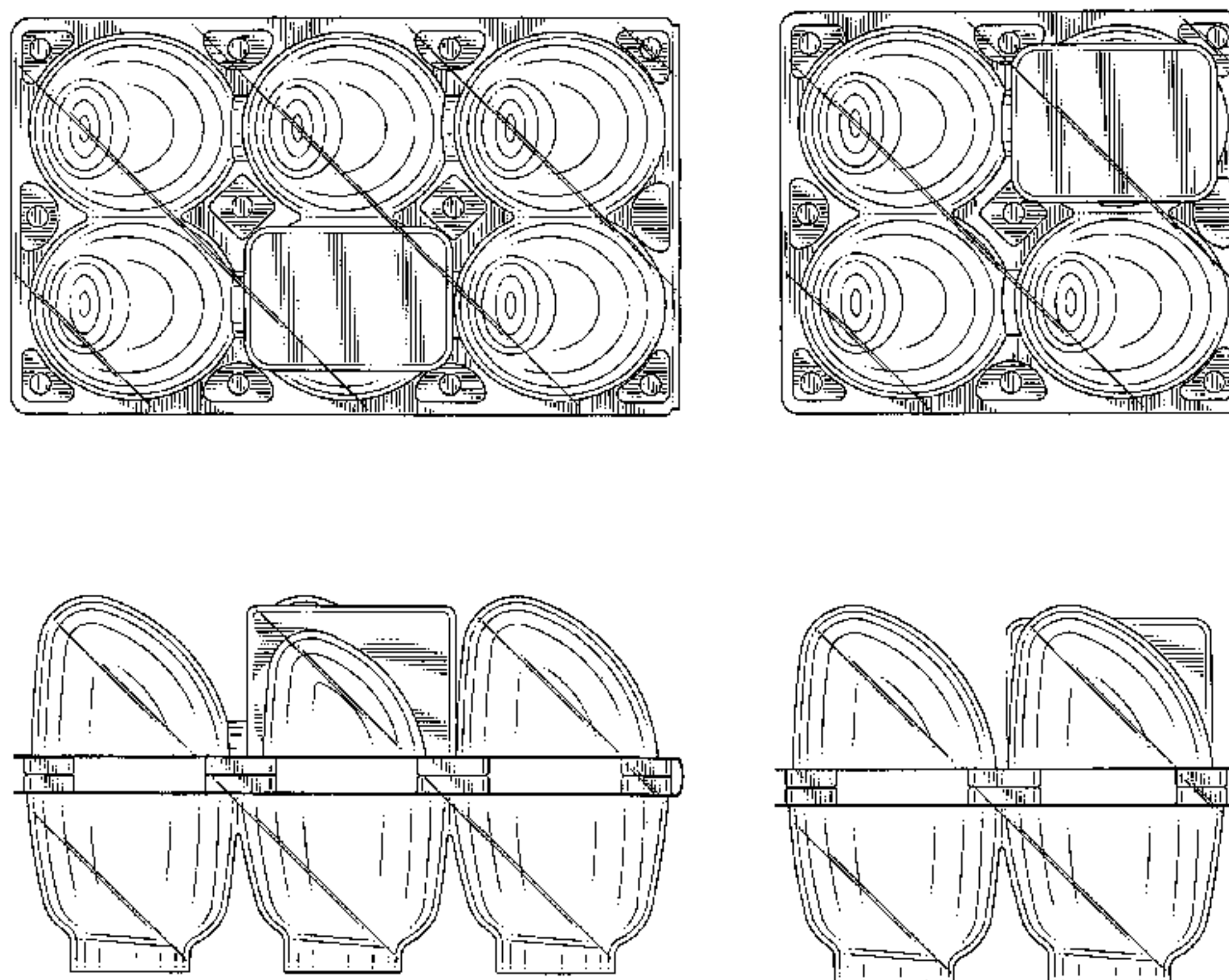
FIG. 1 is a top plan view of the first embodiment of the produce clamshell;  
FIG. 2 is a left side elevational view according to the first embodiment of the produce clamshell;  
FIG. 3 is a bottom plan view according to the first embodiment of the produce clamshell;  
FIG. 4 is a right side elevational view according to the first embodiment of the produce clamshell;  
FIG. 5 is a front elevational view according to the first embodiment of the produce clamshell;  
FIG. 6 is a back elevational view according to the first embodiment of the produce clamshell;  
FIG. 7 is a top plan view of the second embodiment of the produce clamshell;  
FIG. 8 is a left side elevational view according to the second embodiment of the produce clamshell;  
FIG. 9 is a bottom plan view according to the second embodiment of the produce clamshell;  
FIG. 10 is a right side elevational view according to the second embodiment of the produce clamshell;  
FIG. 11 is a front elevational view according to the second embodiment of the produce clamshell; and,  
FIG. 12 is a back elevational view according to the second embodiment of the produce clamshell.

(56) **References Cited**

**U.S. PATENT DOCUMENTS**

586,846 A \* 7/1897 Hammer ..... 217/26.5  
2,843,496 A \* 7/1958 Altenburg et al. .... 206/521.8  
D185,628 S \* 7/1959 De Augustina ..... D9/757  
3,171,562 A 3/1965 Weiss  
3,221,971 A \* 12/1965 Reny ..... 206/521.8  
D204,505 S \* 4/1966 Bostrom ..... D9/757  
3,416,690 A \* 12/1968 Michael ..... 217/26.5  
4,193,531 A 3/1980 Saby  
4,333,571 A \* 6/1982 Martelli ..... 206/499  
D272,317 S \* 1/1984 Parmentier ..... D9/732  
4,472,880 A 9/1984 Brauner et al.  
4,757,899 A 7/1988 Magnussen, Jr. et al.  
4,792,085 A 12/1988 Waring, III et al.  
D315,871 S \* 4/1991 Whitebread ..... D9/415  
D327,841 S 7/1992 Letourneau  
D343,576 S 1/1994 Krupa  
D346,552 S 5/1994 Krupa  
D352,893 S 11/1994 Legacy et al.  
5,405,000 A 4/1995 Hagedon et al.  
5,413,215 A 5/1995 Hardinger, Jr.  
5,429,833 A 7/1995 Wyslowsky  
D361,714 S 8/1995 Krupa  
D363,021 S \* 10/1995 Lombard ..... D9/415  
5,497,694 A 3/1996 Krupa et al.  
D368,414 S 4/1996 VanHalteren et al.

**1 Claim, 6 Drawing Sheets**



# US D507,756 S

Page 2

---

## U.S. PATENT DOCUMENTS

|            |   |        |        |       |        |              |         |                |
|------------|---|--------|--------|-------|--------|--------------|---------|----------------|
| D459,988 S | * | 7/2002 | Hogman | ..... | D9/757 | 6,478,158 B2 | 11/2002 | Gaffney et al. |
| D459,989 S |   | 7/2002 | Hogman |       |        | 6,595,366 B1 | 7/2003  | Brown          |

\* cited by examiner

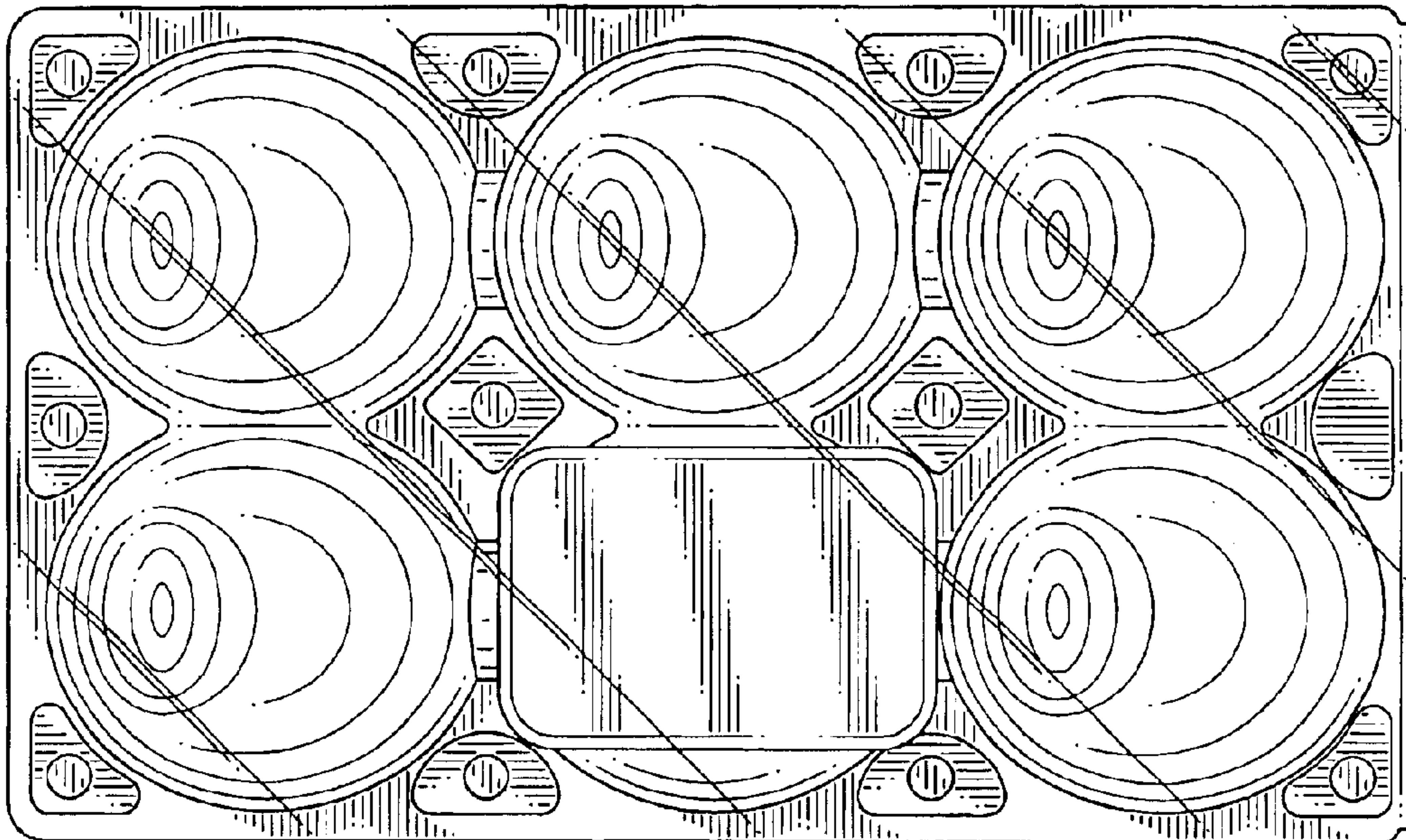


FIG. 1

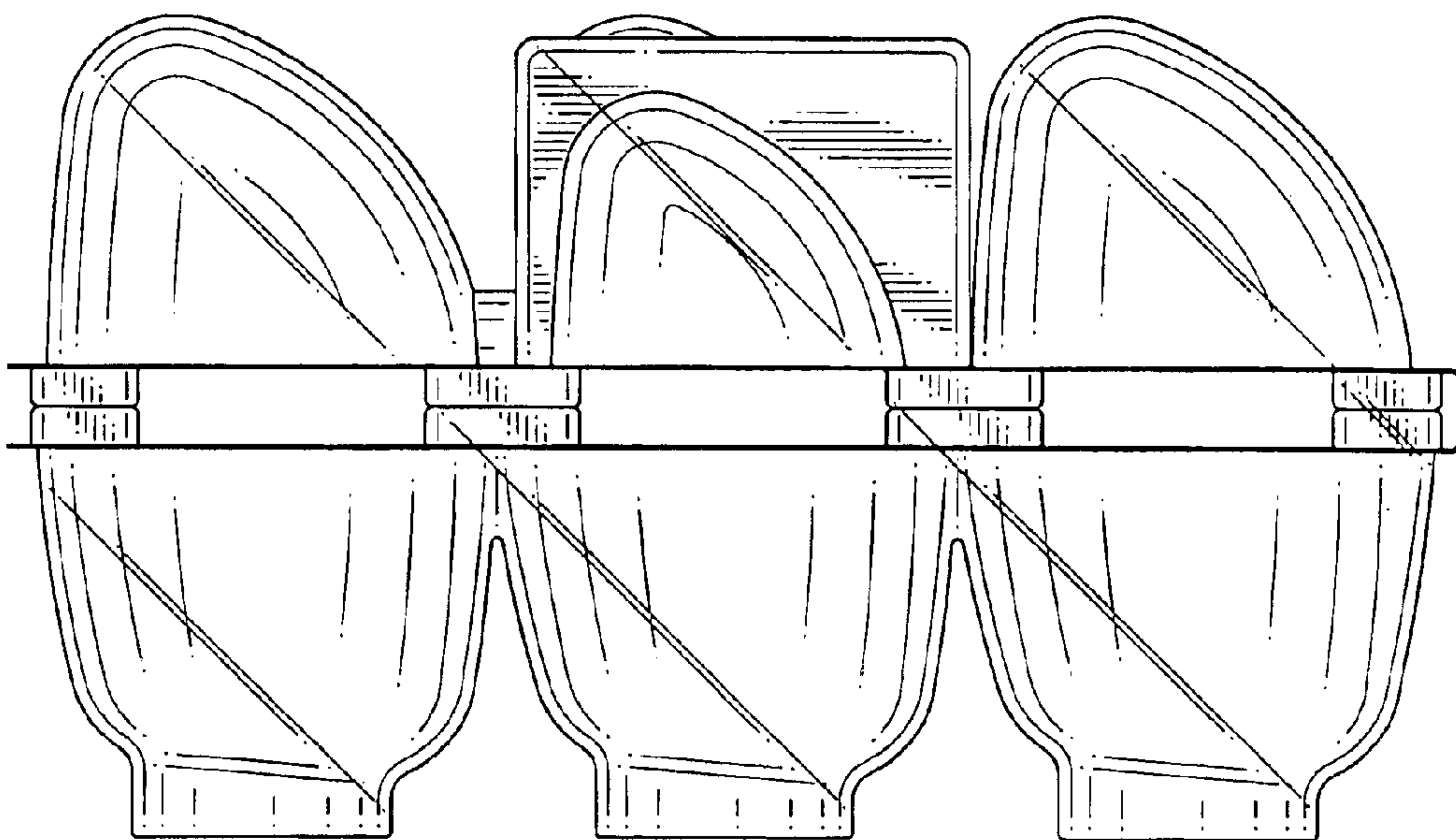


FIG. 2



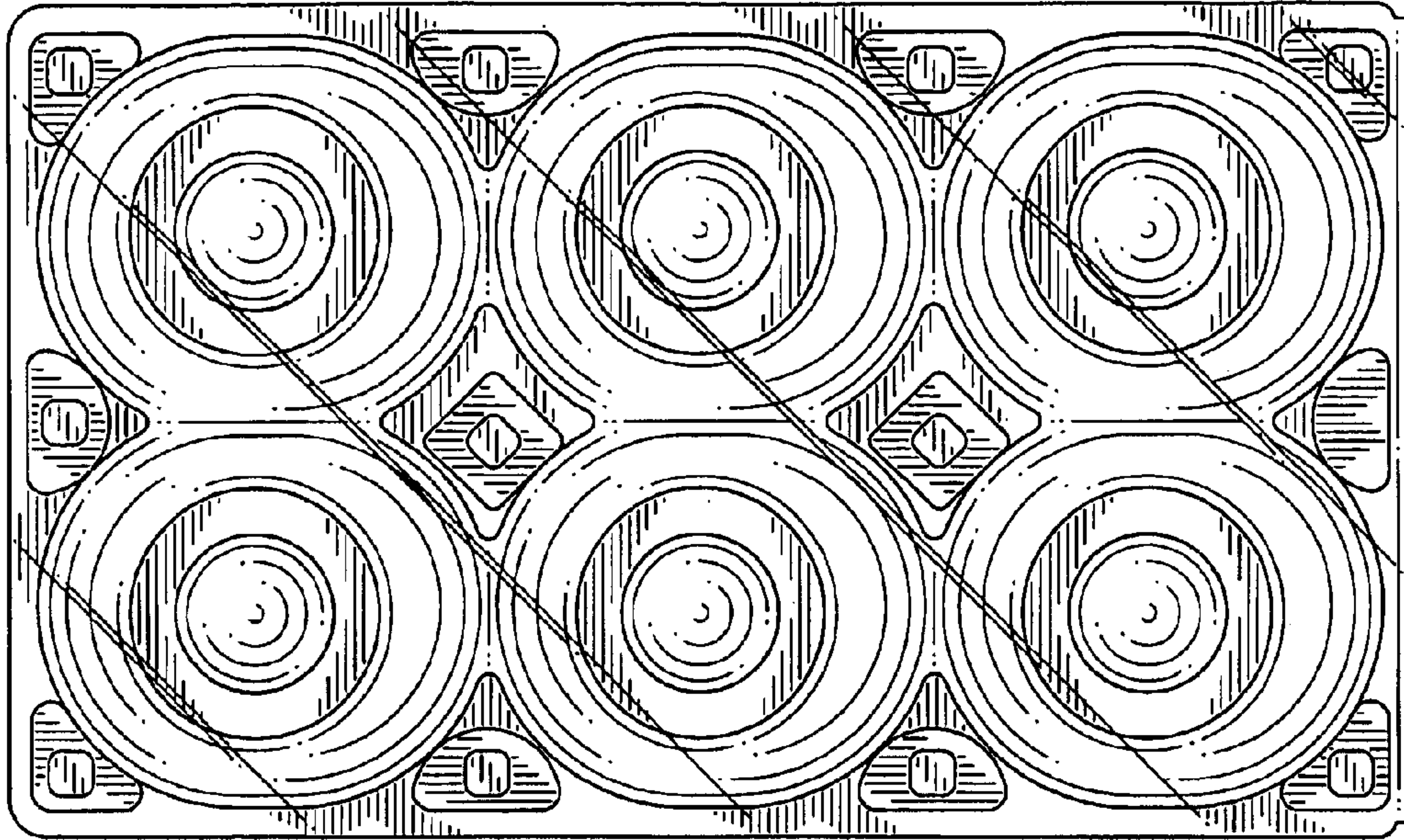


FIG. 3

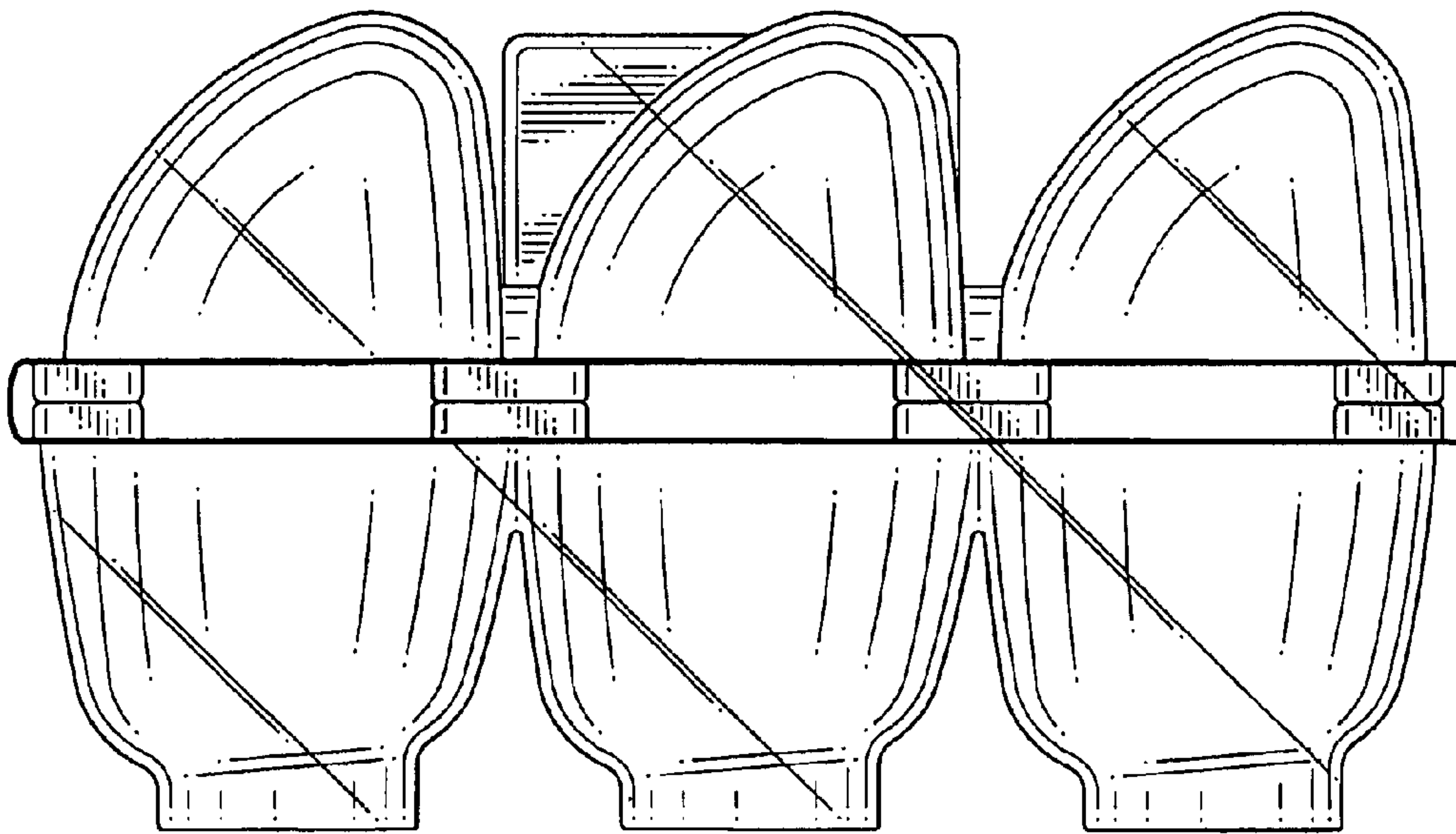


FIG. 4

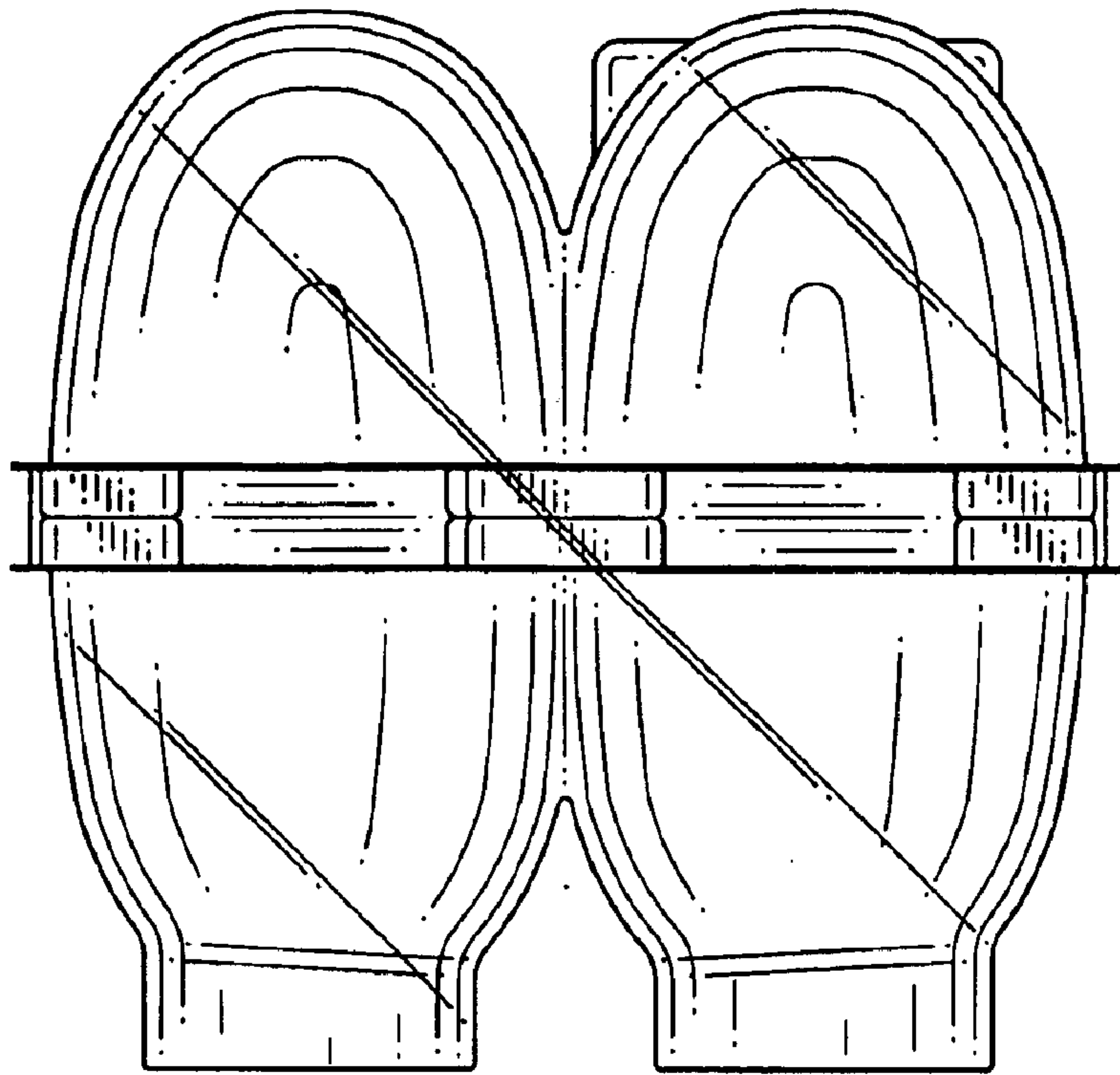


FIG. 5

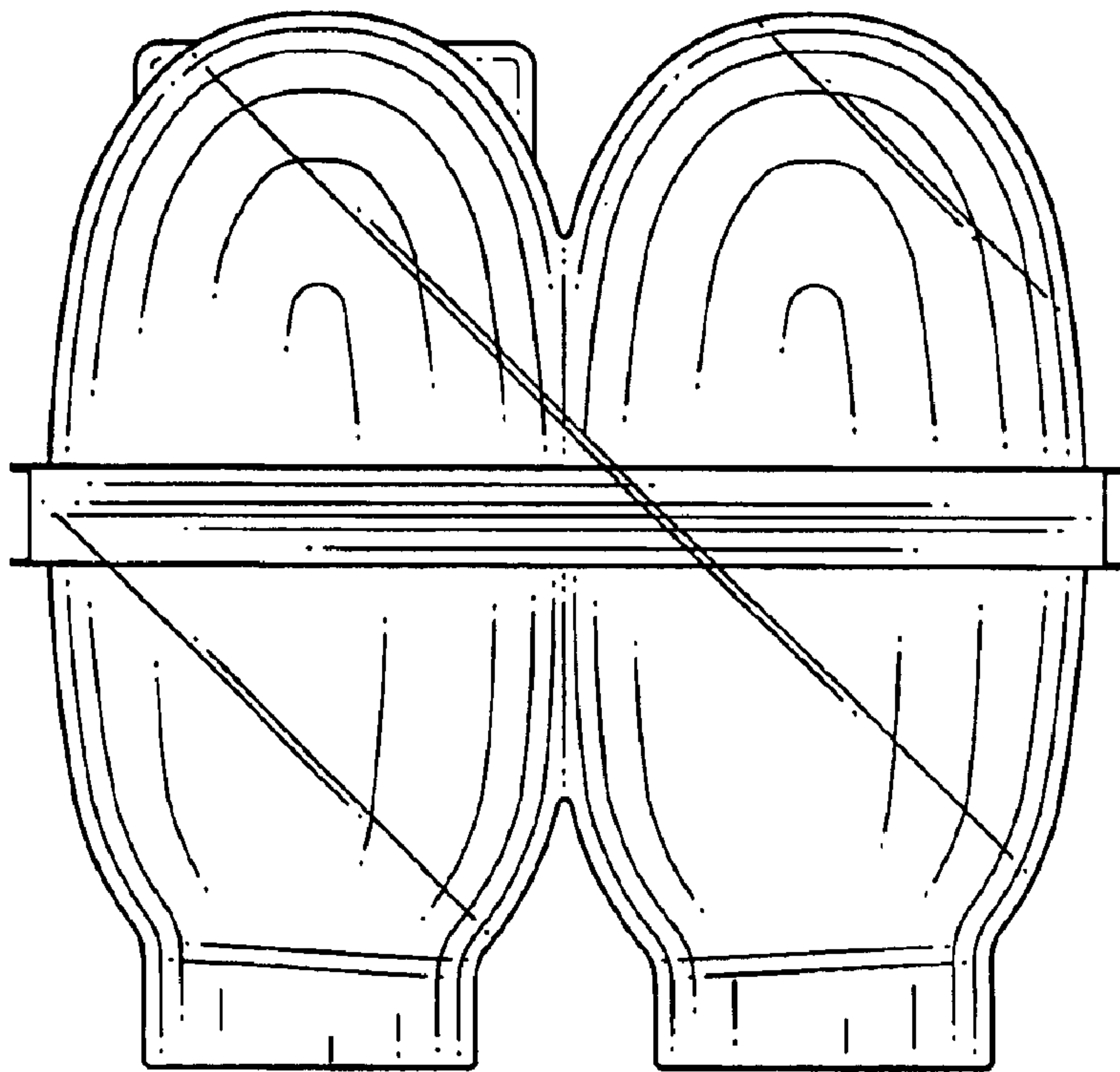


FIG. 6

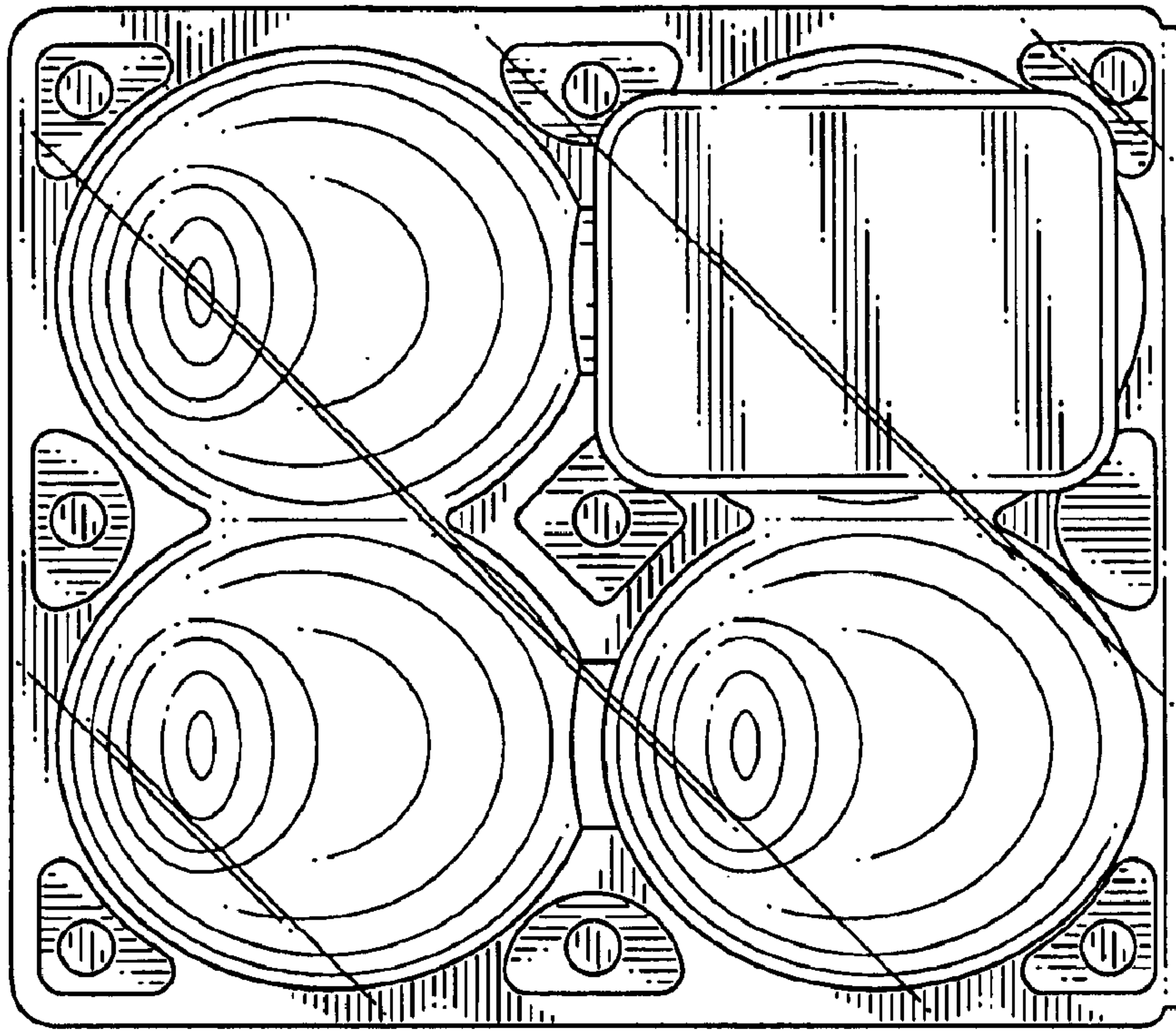


FIG. 7

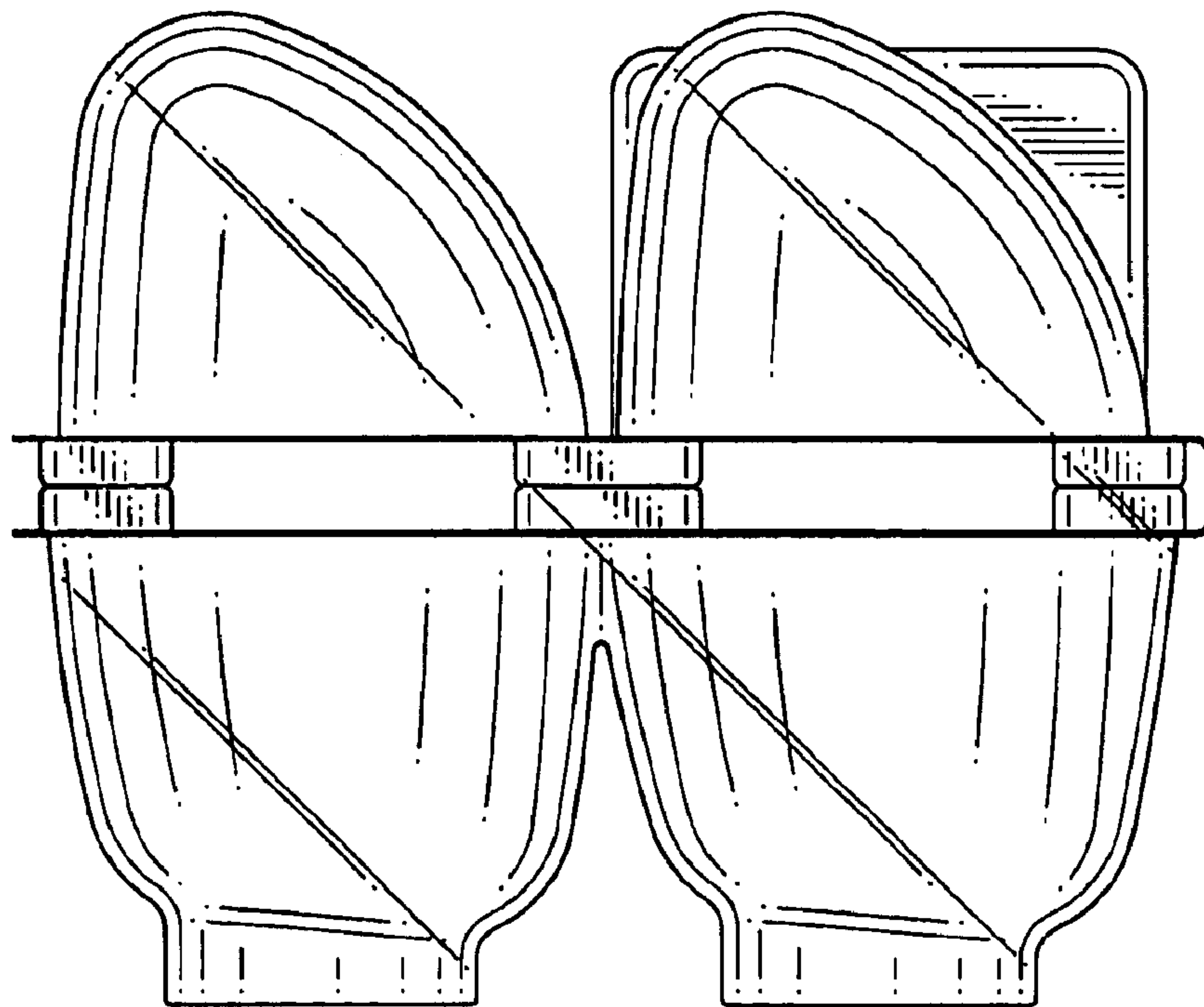


FIG. 8



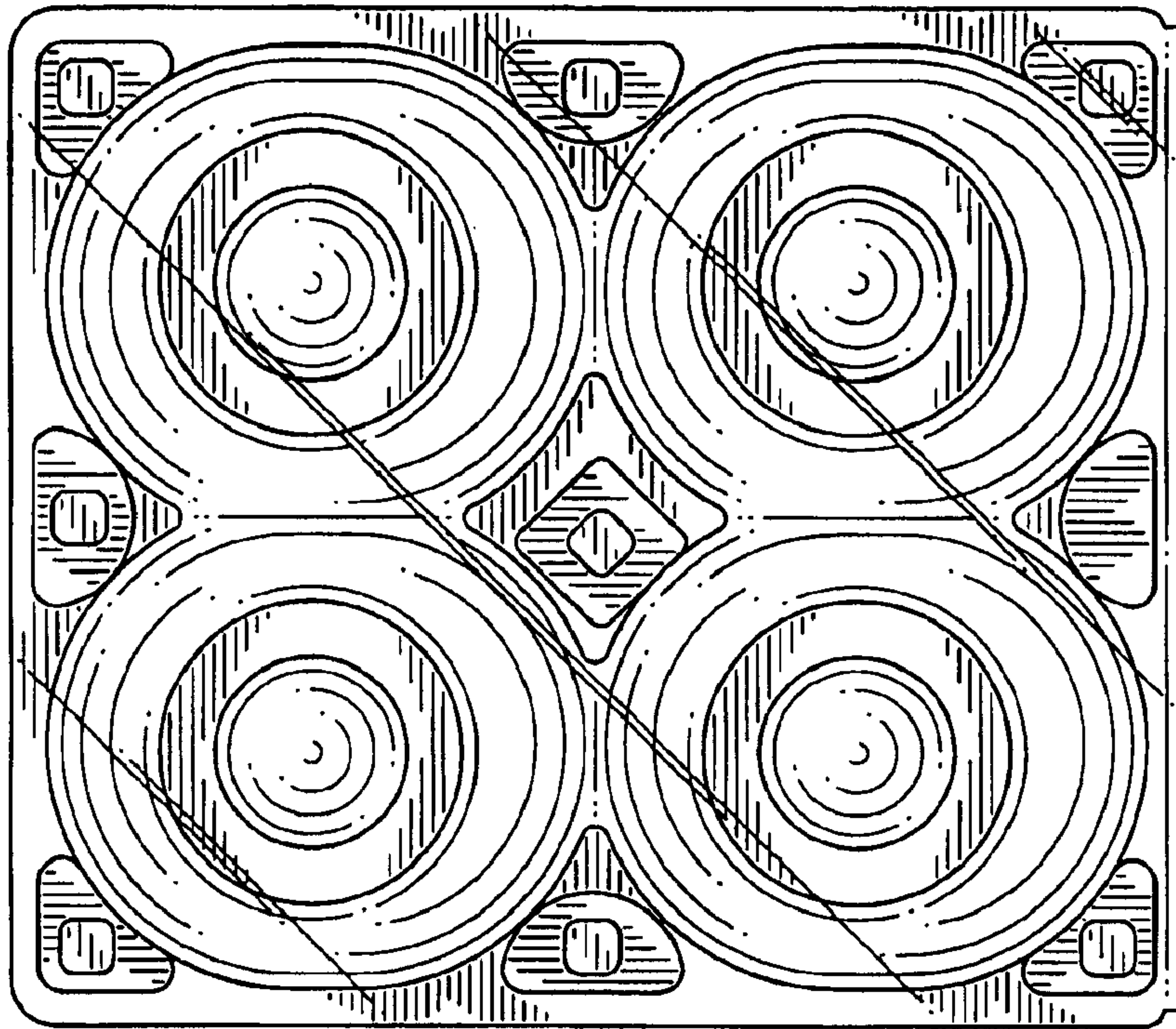


FIG. 9

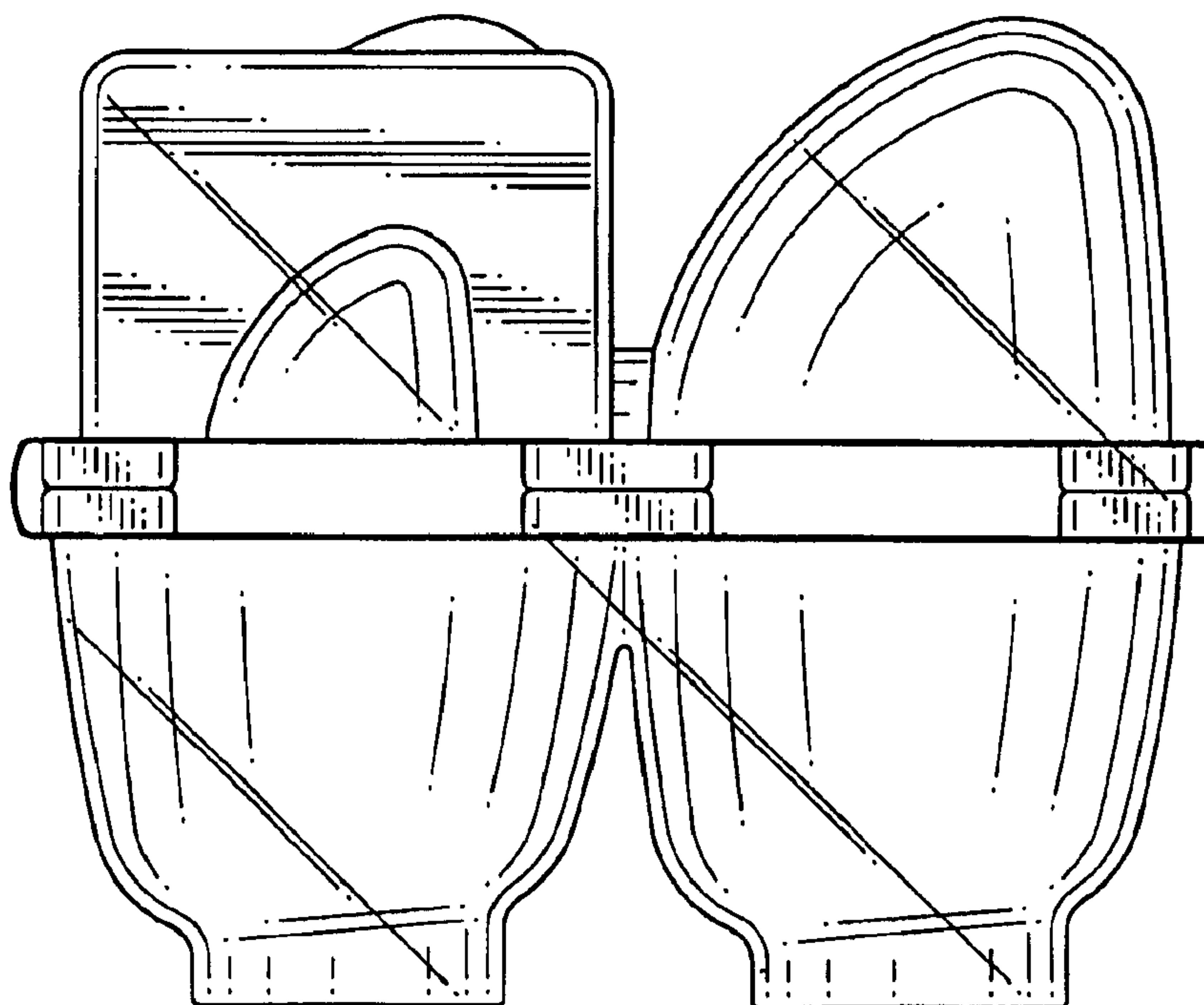


FIG. 10

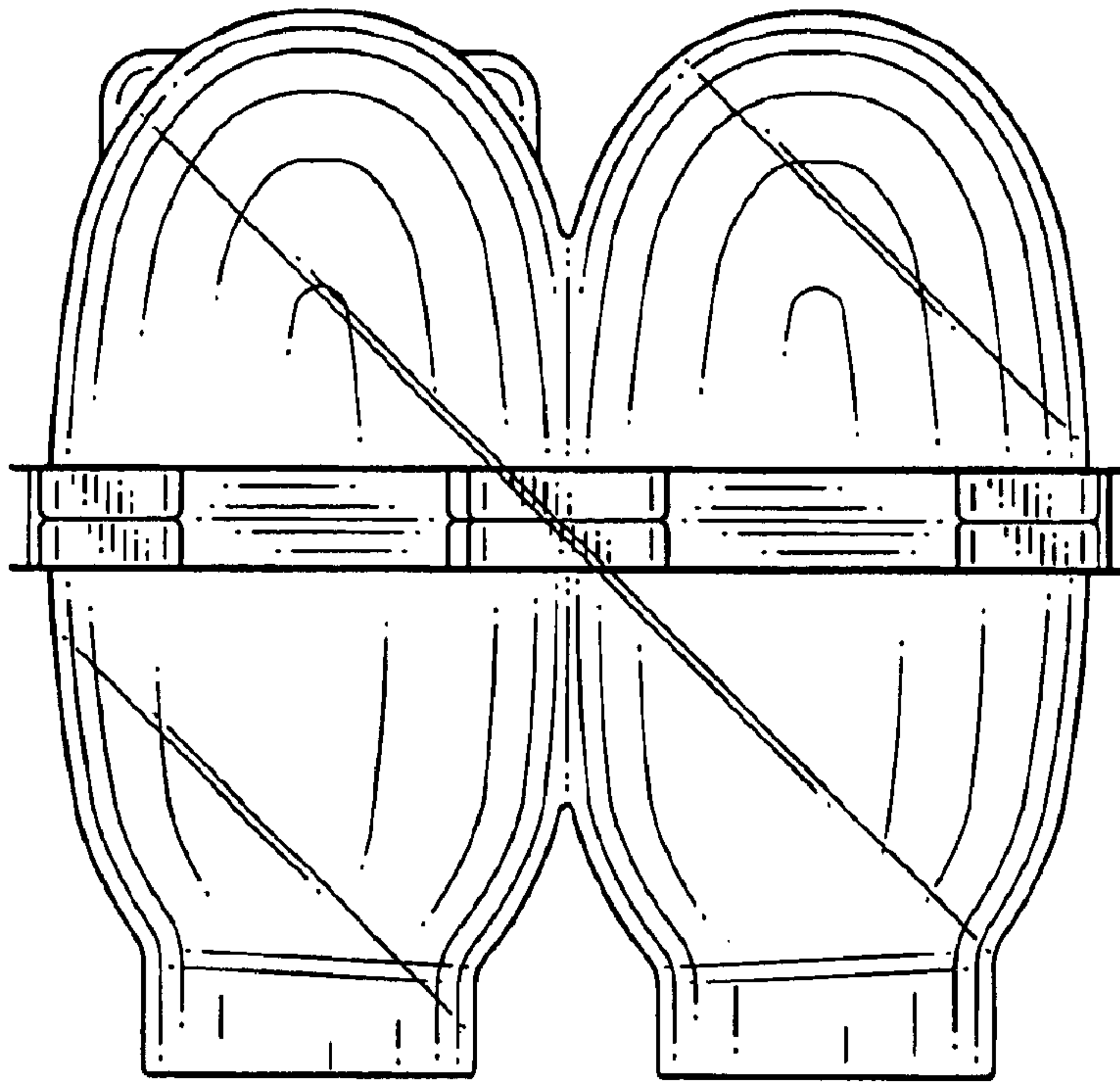


FIG. 11

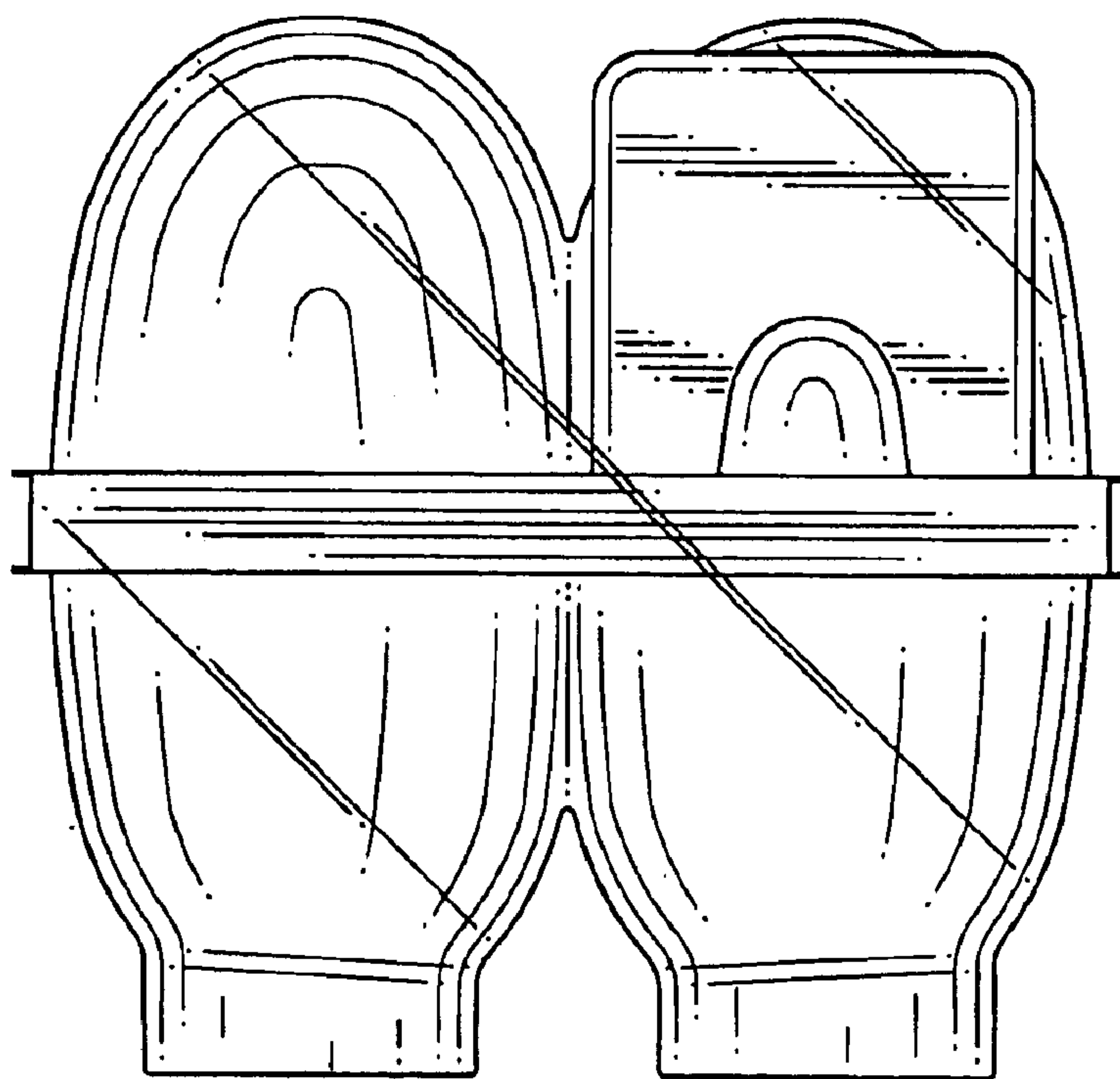


FIG. 12