

US00D507755S

(12) **United States Design Patent**  
**Reitze**

(10) **Patent No.: US D507,755 S**  
(45) **Date of Patent: \*\* Jul. 26, 2005**

(54) **CONTAINER**

(76) **Inventor: Frederick T. Reitze, 2659 W. Arthur Ave., Chicago, IL (US) 60645**

(\*\*) **Term: 14 Years**

(21) **Appl. No.: 29/200,583**

(22) **Filed: Mar. 2, 2004**

(51) **LOC (8) Cl. .... 09-03**

(52) **U.S. Cl. .... D9/737; D9/432**

(58) **Field of Search .... D9/737, 761, 570, D9/455, 456, 424, 415, 429, 430, 414, 432, 416; D7/603, 555, 602; D11/143, 155; 206/494; 221/48**

(56) **References Cited**

**U.S. PATENT DOCUMENTS**

4,200,200	A	*	4/1980	Hein et al. ....	221/48
D381,227	S	*	7/1997	Cockrum ....	D6/518
D381,228	S	*	7/1997	Cockrum ....	D6/518
D393,420	S	*	4/1998	Hsu ....	D9/424

D425,214	S	*	5/2000	Speck .....	D25/118
6,591,989	B2	*	7/2003	McNeill .....	206/494
D486,520	S	*	2/2004	Sherman et al. ....	D19/69
D487,870	S	*	3/2004	Stewart et al. ....	D9/416
D488,741	S	*	4/2004	Moya .....	D11/143

\* cited by examiner

*Primary Examiner*—Stella Reid  
*Assistant Examiner*—Mark A. Goodwin

(57) **CLAIM**

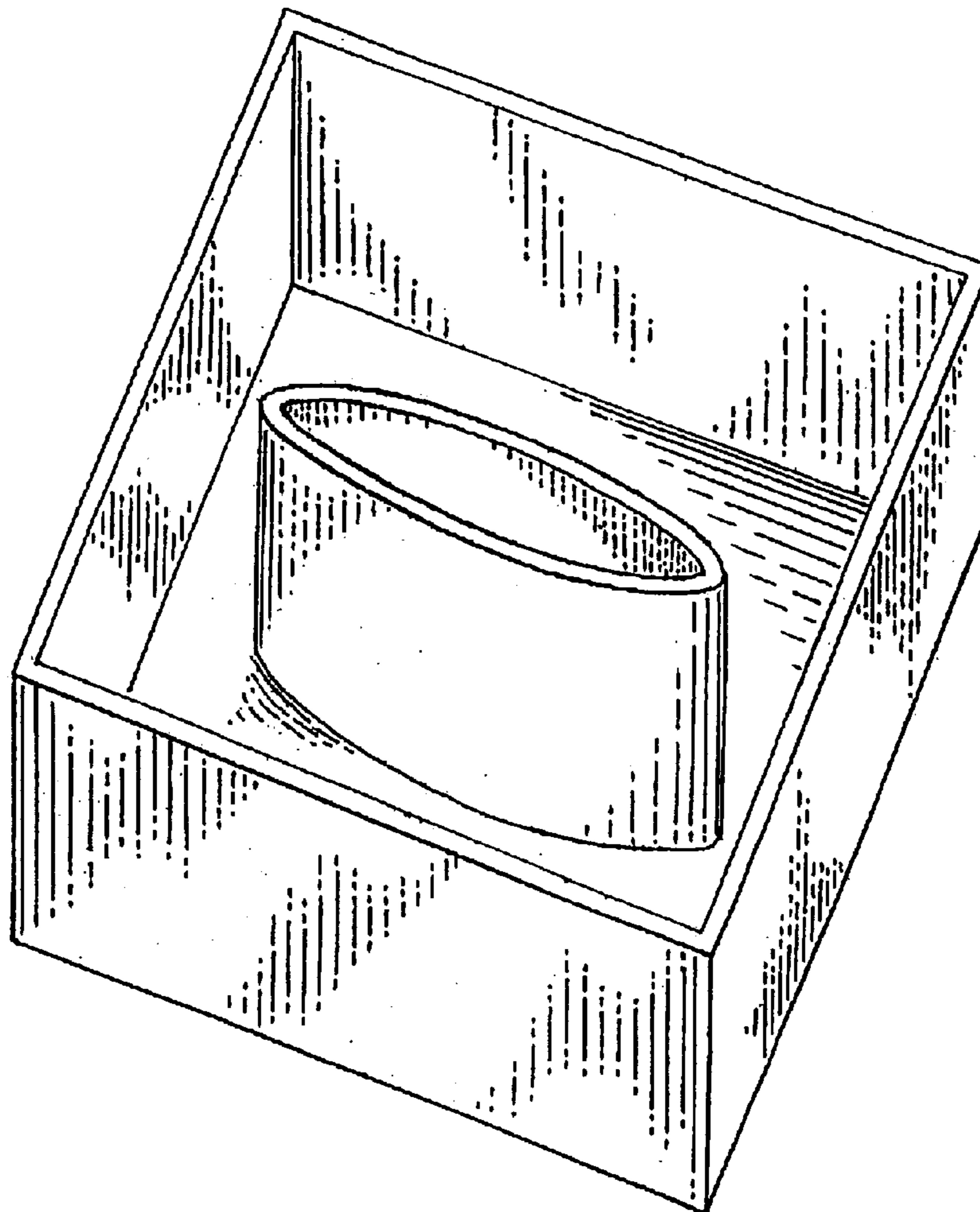
The ornamental design for a container, as shown and described.

**DESCRIPTION**

FIG. 1 is a perspective view of my new container; and, FIG. 2 is a bottom view of the container.

My container is characterized by an open top; and a centrally located hollow column which is oval in cross section, open at top and bottom, and is attached to the bottom panel of the container.

**1 Claim, 2 Drawing Sheets**



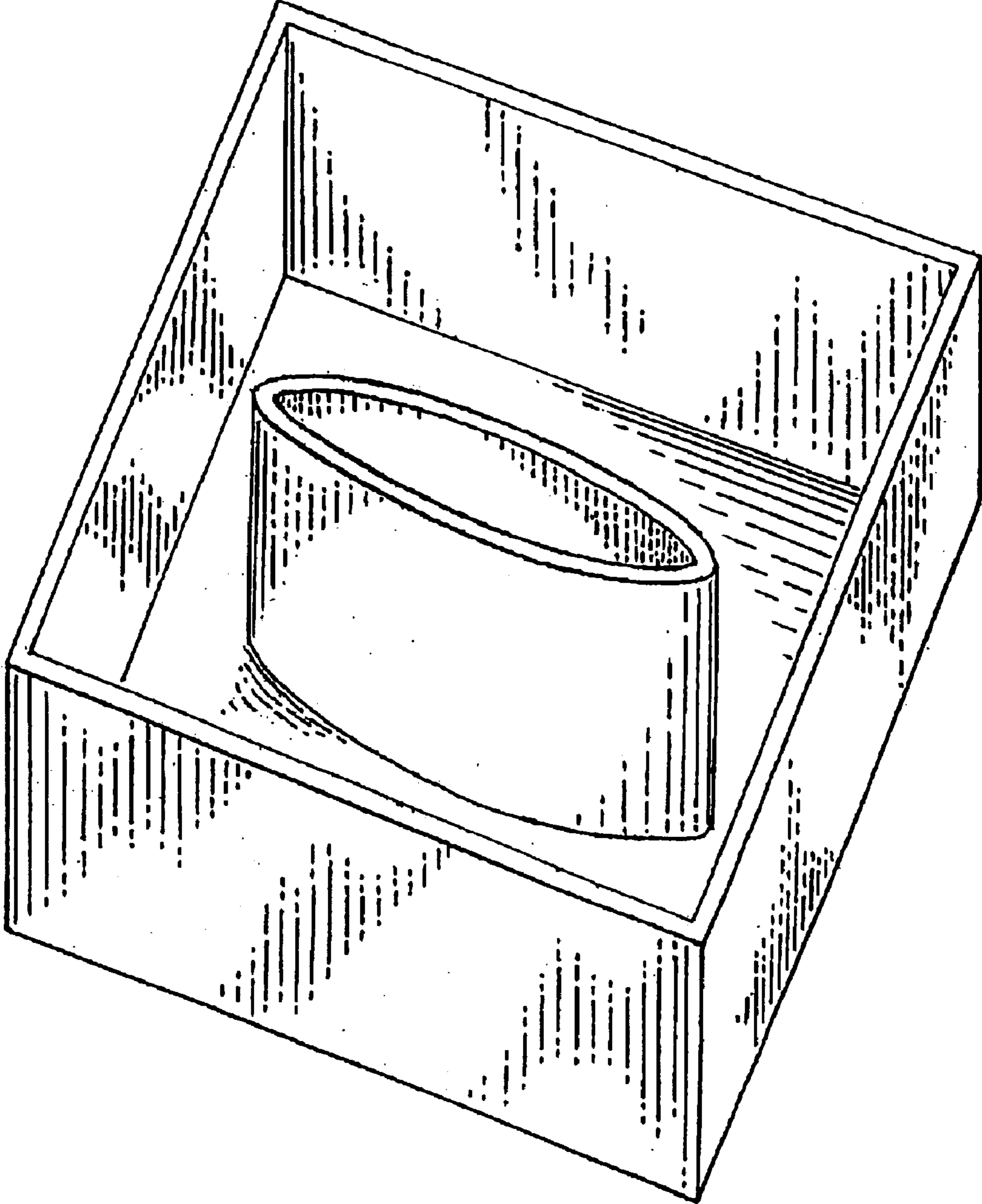


Fig. 1

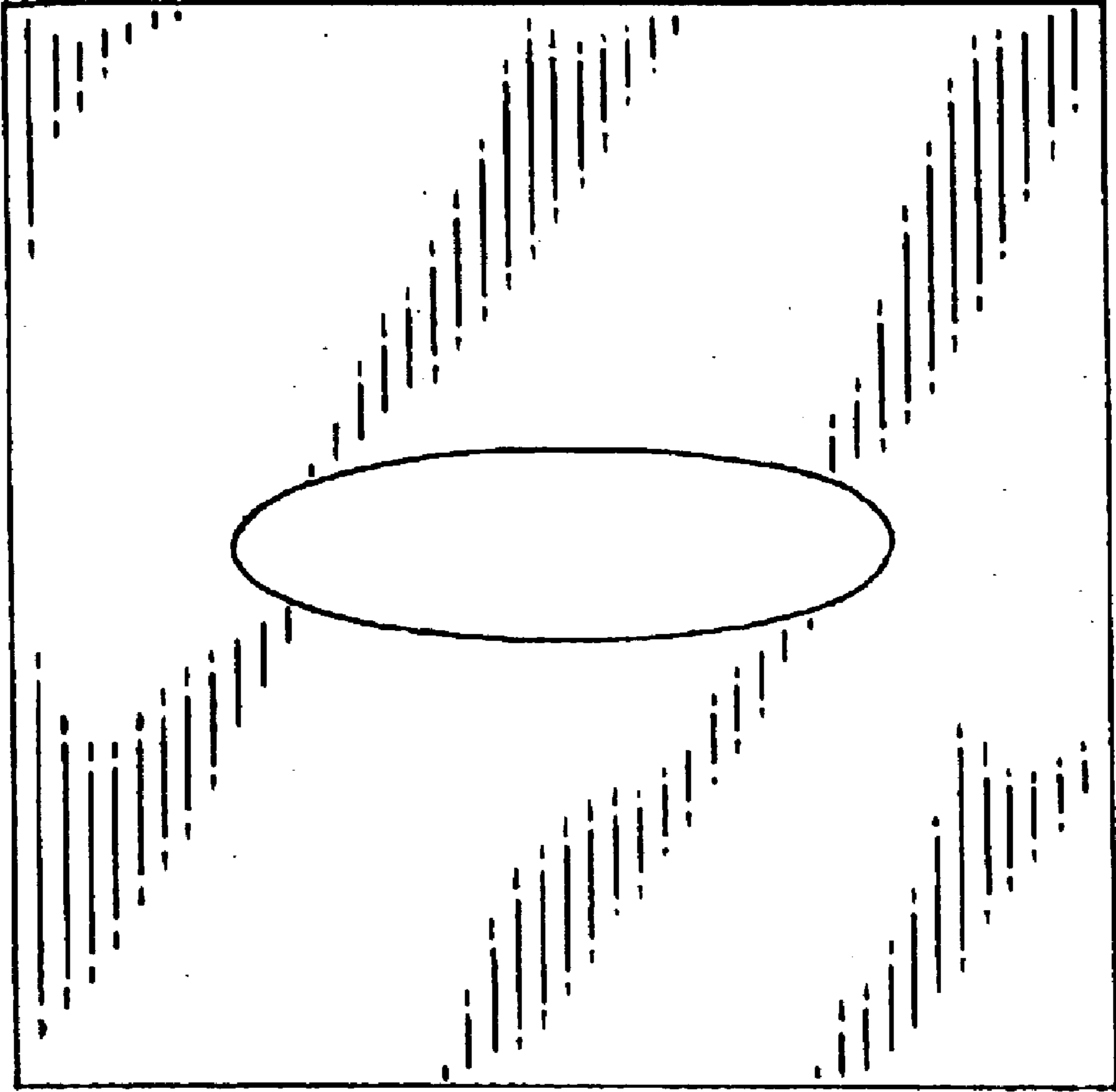


Fig. 2