



US00D507746S

(12) **United States Design Patent**  
**Sasaki et al.**

(10) **Patent No.:** **US D507,746 S**  
(45) **Date of Patent:** **\*\* Jul. 26, 2005**

- (54) **BOTTLE**
- (75) Inventors: **Masaaki Sasaki**, Koto-ku (JP); **Keiji Shimamoto**, University Park, IL (US)
- (73) Assignee: **Yoshino Kogyosho Co., Ltd.**, Tokyo (JP)
- (\*\*) Term: **14 Years**
- (21) Appl. No.: **29/203,890**
- (22) Filed: **Apr. 22, 2004**
- (51) **LOC (8) Cl.** ..... **09-01**
- (52) **U.S. Cl.** ..... **D9/516; D9/542; D9/563; D9/567**
- (58) **Field of Search** ..... D9/516, 530, 537-543, D9/551-558, 563-570, 574-575; 215/381-385, 396, 398, 400

- 6,257,433 B1 \* 7/2001 Ogg et al. .... 215/381
- D451,032 S \* 11/2001 Iizuka et al. .... D9/569
- D451,033 S \* 11/2001 Iizuka et al. .... D9/569
- D462,013 S \* 8/2002 Iizuka et al. .... D9/538
- D478,817 S \* 8/2003 Yourist ..... D9/530

**FOREIGN PATENT DOCUMENTS**

GB 2030227 \* 9/1993

\* cited by examiner

*Primary Examiner*—Carol Rademaker

(74) *Attorney, Agent, or Firm*—Oliff & Berridge, PLC

(57) **CLAIM**

The ornamental design for a bottle, as shown and described.

**DESCRIPTION**

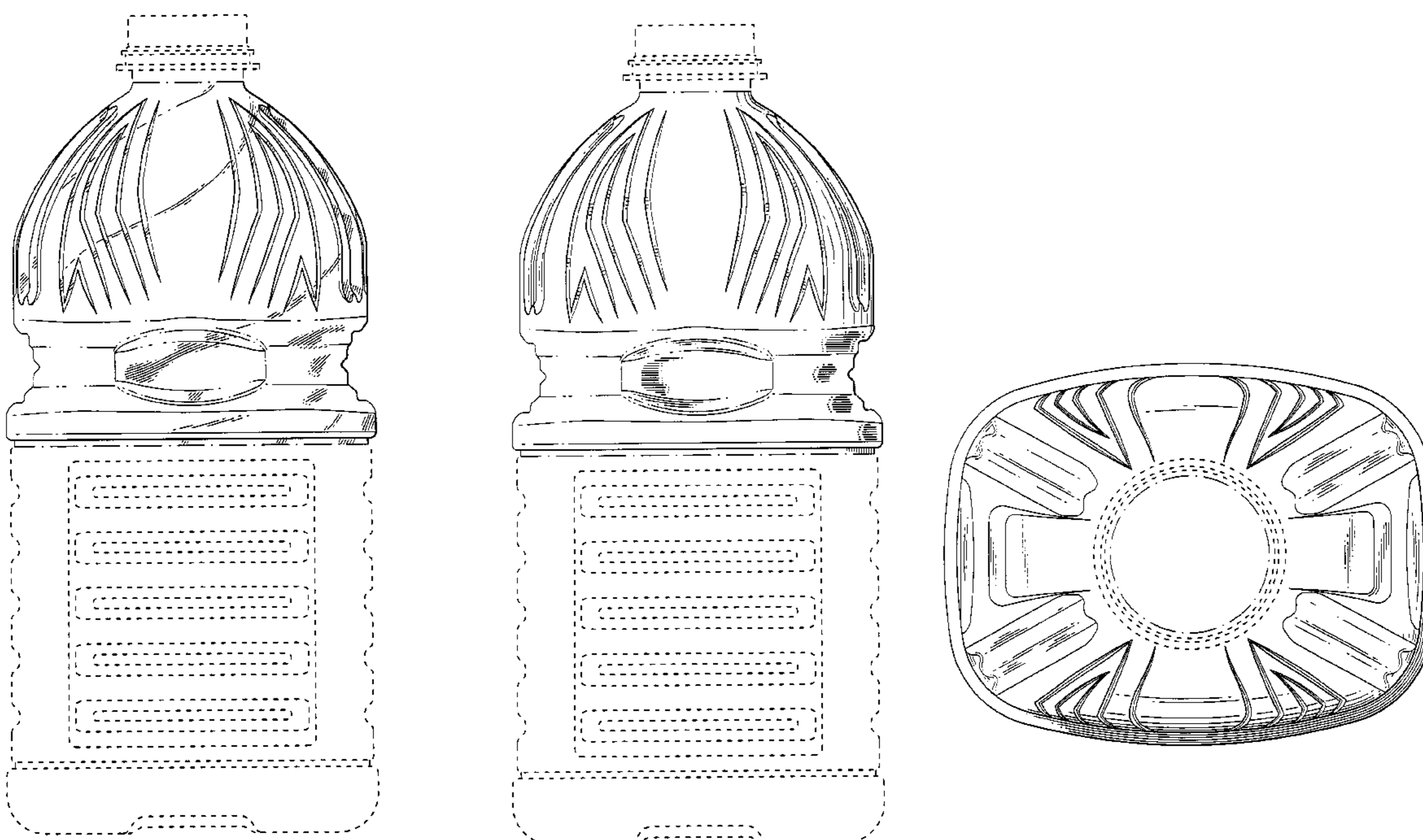
FIG. 1 is a front view of a first embodiment of a transparent bottle, the rear view being a mirror image;  
 FIG. 2 is a side view thereof, the opposite side view being a mirror image;  
 FIG. 3 is a top plan view thereof, shown at an enlarged scale;  
 FIG. 4 is a front view of a second embodiment of a non-transparent bottle, shown at the same scale as the bottle in FIG. 1 and the rear view being a mirror image;  
 FIG. 5 is a side view thereof, the opposite side view being a mirror image; and,  
 FIG. 6 is a top plan view thereof, shown at an enlarged scale.  
 The dot-dot-dot-dot broken line shown in the drawings is for environmental purposes only and forms no part of the claimed design.  
 The dash-dot-dash-dot broken line shown in the drawings defines the boundary of the claimed design.

(56) **References Cited**

**U.S. PATENT DOCUMENTS**

- D74,066 S \* 12/1927 Mas ..... D9/681
- D365,277 S \* 12/1995 Hencher ..... D9/539
- D379,153 S \* 5/1997 Richardson ..... D9/537
- D386,088 S \* 11/1997 Satoh ..... D9/536
- D393,207 S \* 4/1998 Farlander et al. .... D9/537
- D399,138 S \* 10/1998 Beechuk et al. .... D9/531
- D412,441 S \* 8/1999 Cheng et al. .... D9/552
- D415,681 S \* 10/1999 Yourist ..... D9/552 X
- D420,919 S \* 2/2000 Ogg ..... D9/542
- D421,721 S \* 3/2000 Guertin ..... D9/520
- D425,431 S \* 5/2000 Omidian ..... D9/553
- D432,019 S \* 10/2000 Steward ..... D9/538
- D435,219 S \* 12/2000 Williams et al. .... D9/538
- D443,519 S \* 6/2001 Warner et al. .... D9/538

**1 Claim, 6 Drawing Sheets**



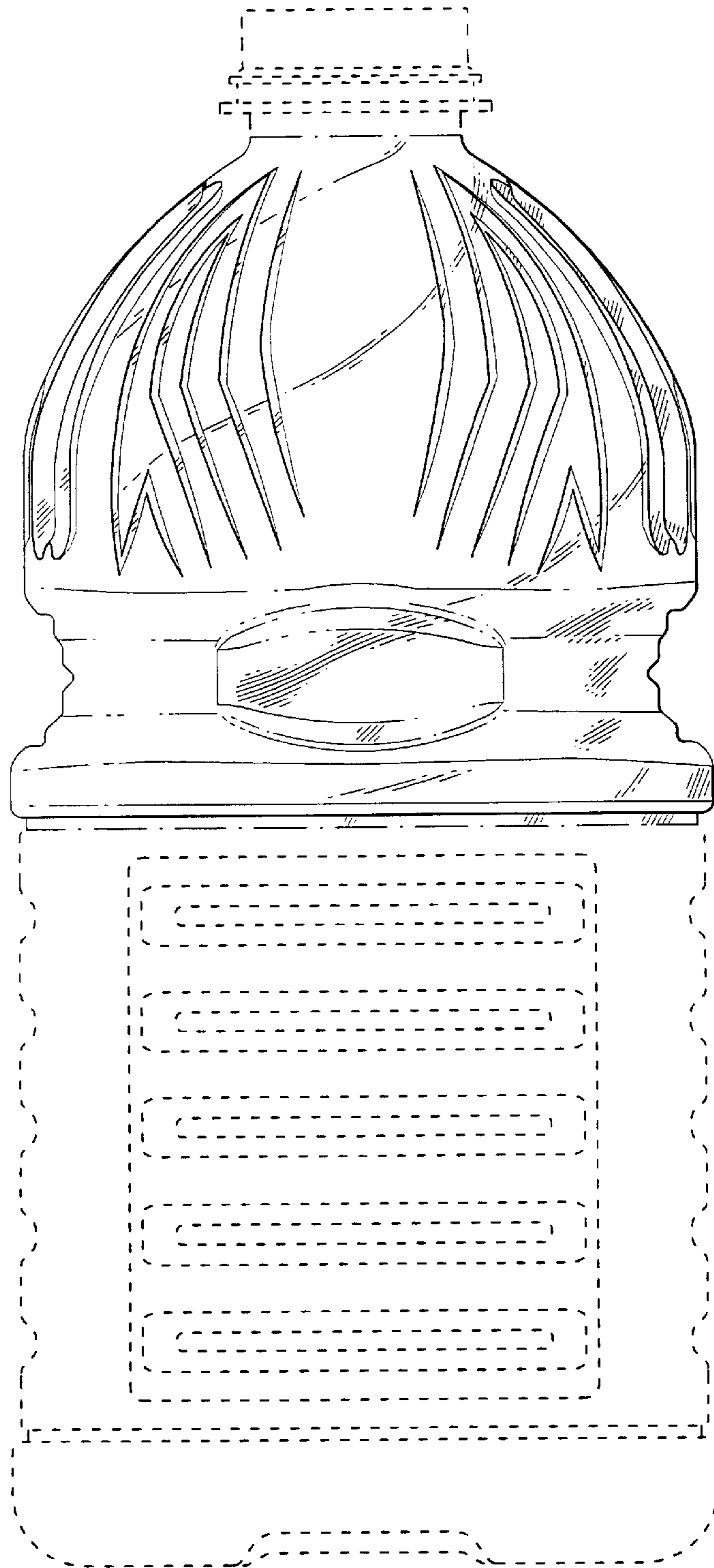


Fig. 1

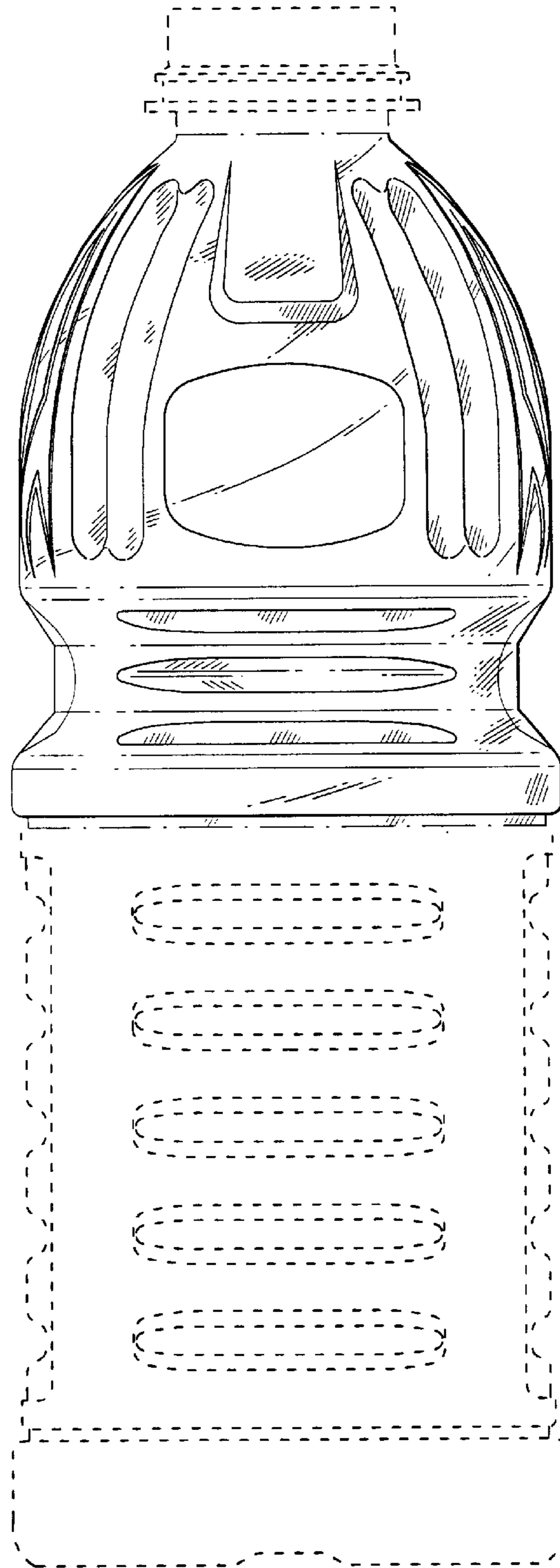


Fig. 2



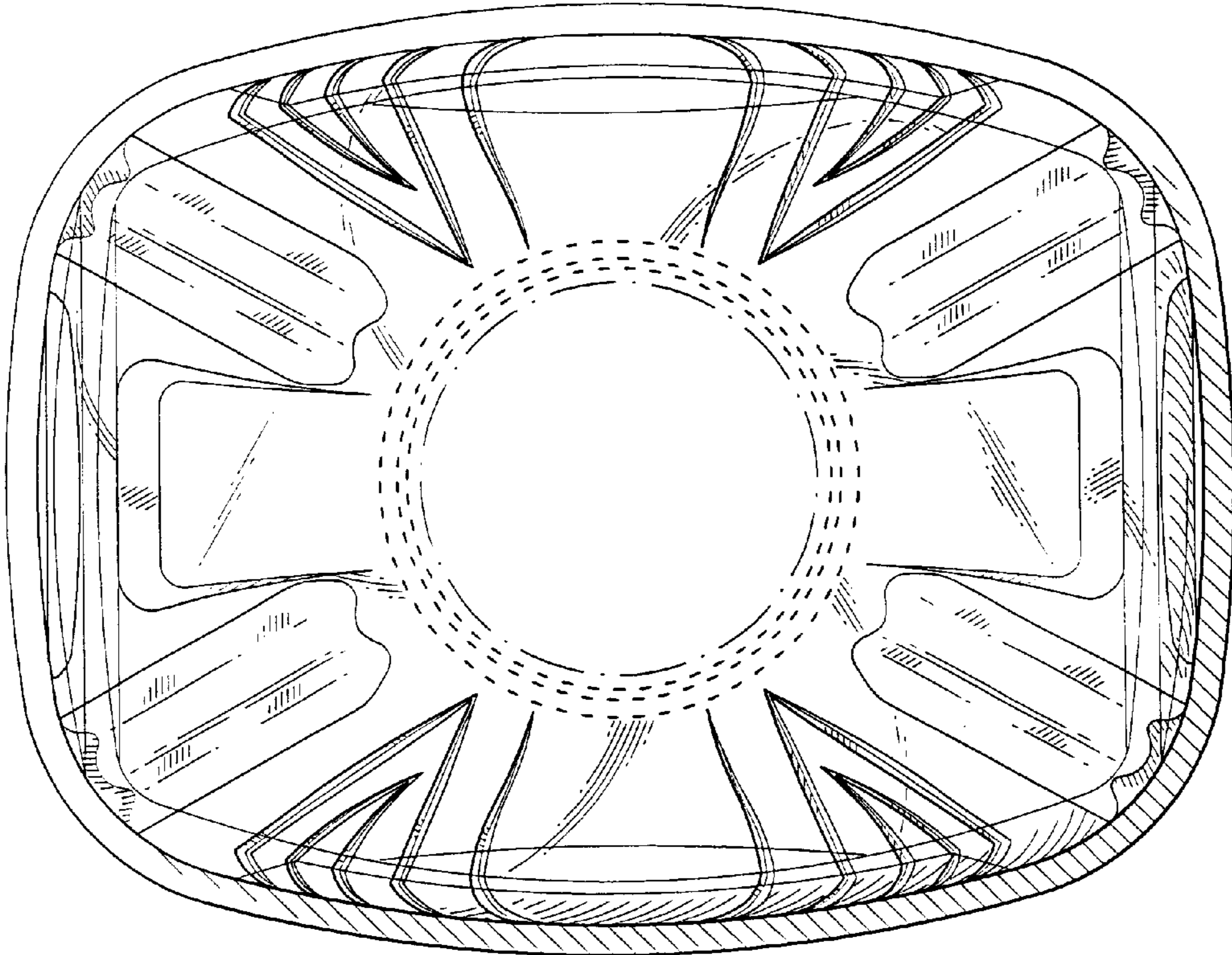


Fig. 3

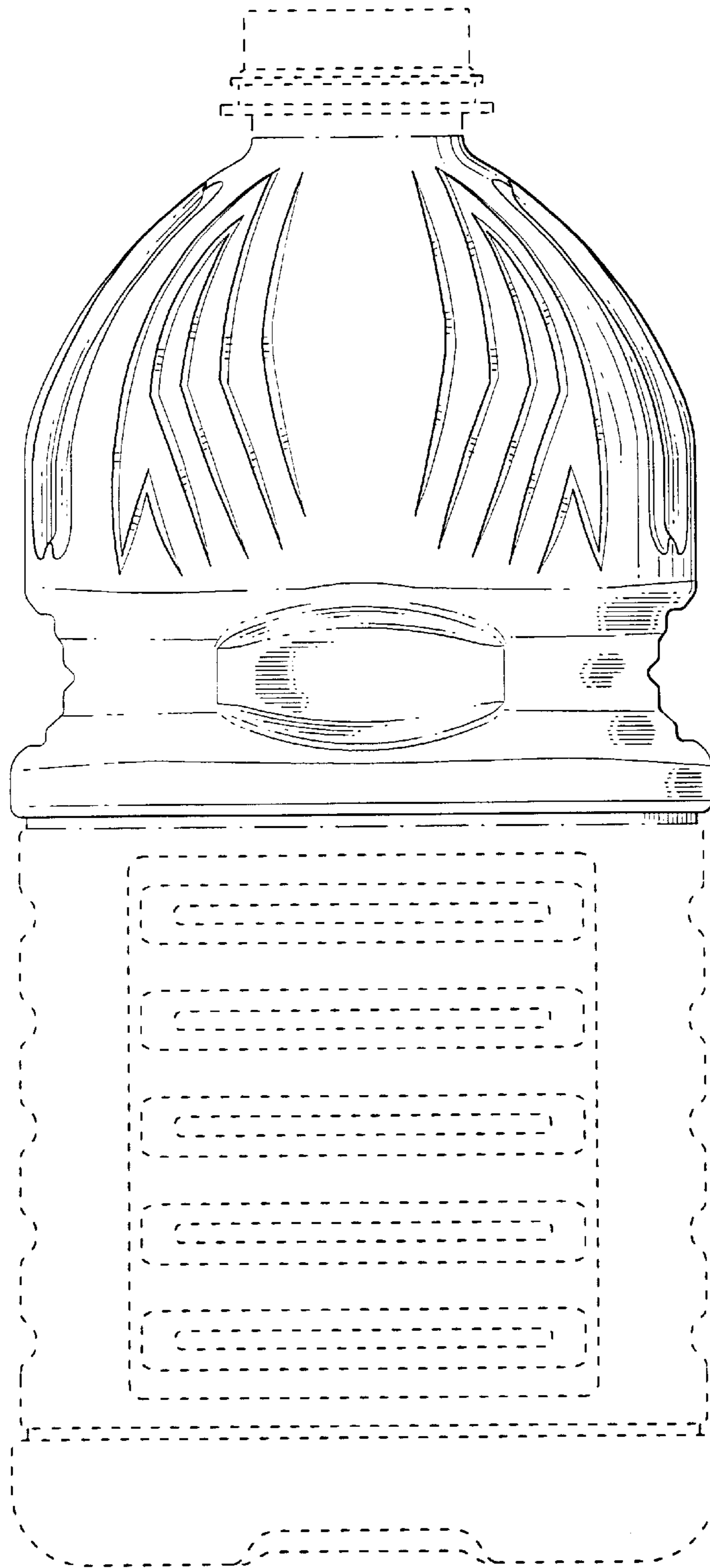


Fig. 4

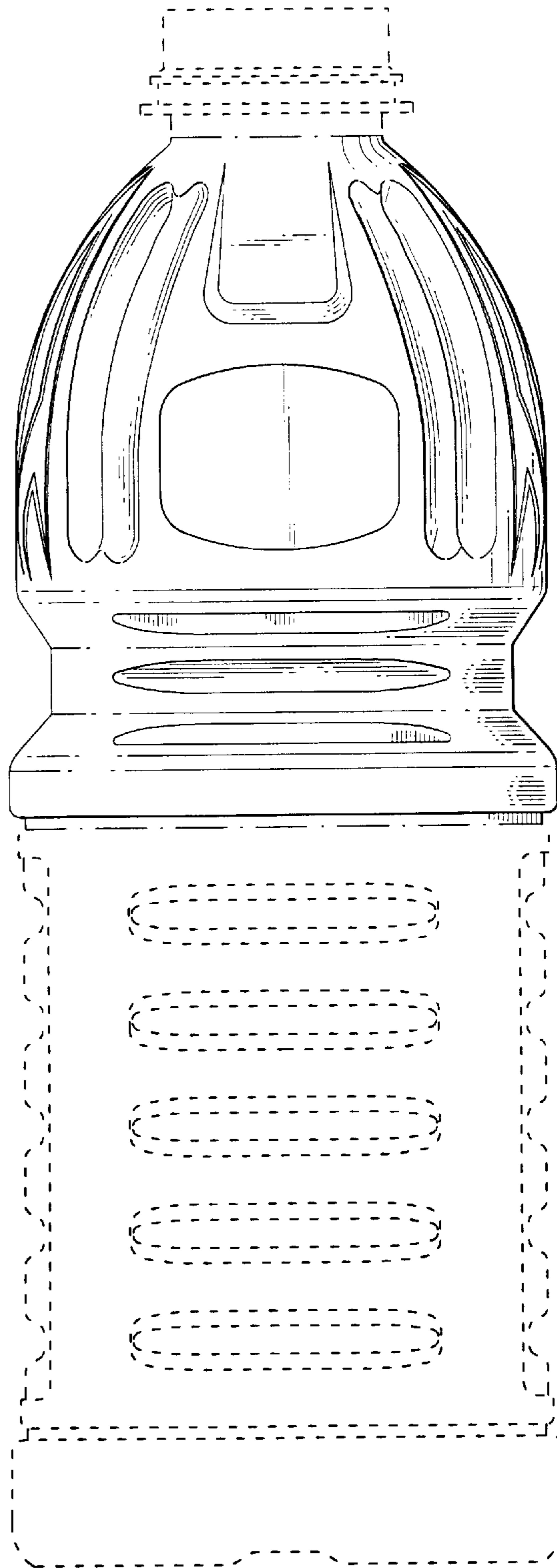


Fig. 5

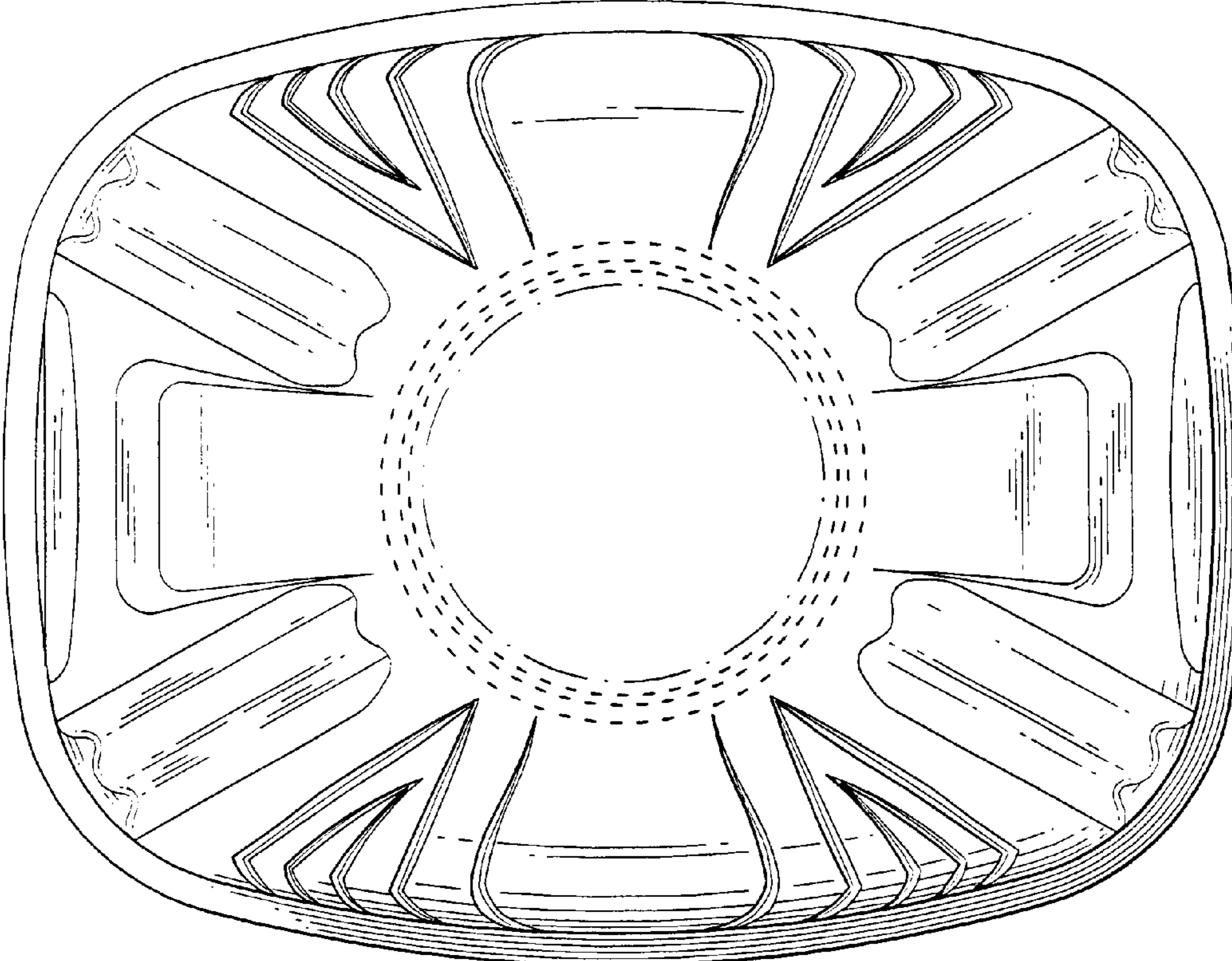


Fig. 6