

US00D507745S

(12) **United States Design Patent** (10) **Patent No.:** **US D507,745 S**  
**Pitman et al.** (45) **Date of Patent:** **\*\* Jul. 26, 2005**

(54) **CLOSURE**  
 (75) Inventors: **Kelvin Pitman**, Bubendorf (CH); **Udo Boesl**, Eilmeldingen (DE); **Patrick Habersaat**, Reinach (CH)

D433,820 S \* 11/2000 Haarer et al. .... D9/453  
 D457,431 S \* 5/2002 Brant et al. .... D9/454  
 D470,413 S \* 2/2003 Seidita ..... D9/452  
 2001/0002661 A1 6/2001 Reidenbach

(73) Assignee: **Crown Packaging Technology, Inc.**, Alsip, IL (US)

**FOREIGN PATENT DOCUMENTS**

(\*\*) **Term:** **14 Years**

DE	8811108.3	9/1988
DE	8815335.5	12/1988
DE	DM/052170	* 5/2000
EP	0410059	1/1991
EP	0511502	11/1992
FR	2580593	10/1986
FR	DM/057655	* 10/2001
FR	DM/058766	* 2/2002
FR	DM/063888	* 6/2003
JP	7291318	11/1995
JP	8058817	3/1996
JP	8164960	6/1996
WO	WO 91/11369	8/1991

(21) Appl. No.: **29/192,359**

(22) Filed: **Oct. 23, 2003**

(51) **LOC (8) Cl.** ..... **09-07**

(52) **U.S. Cl.** ..... **D9/453; D9/452**

(58) **Field of Search** ..... D9/448, 434, 435, D9/450, 452, 453, 454; 215/200, 208, 214, 217, 328, 329, 337; D24/197-199

\* cited by examiner

(56) **References Cited**

**U.S. PATENT DOCUMENTS**

D242,773 S	* 12/1976	Licari et al. ....	D9/448
4,550,844 A	11/1985	Lininger	
4,598,835 A	7/1986	Brownbill	
4,739,893 A	4/1988	Zumbuhl	
4,971,213 A	11/1990	Ishinabe et al.	
5,040,692 A	8/1991	Julian	
5,050,753 A	9/1991	Trump et al.	
5,056,675 A	10/1991	Julian	
5,090,788 A	2/1992	Ingram et al.	
5,197,621 A	3/1993	Bartl et al.	
5,400,913 A	3/1995	Kelly	
5,749,484 A	5/1998	Trout	
5,782,369 A	7/1998	Tansey	
5,913,437 A	6/1999	Ma	
D415,684 S	* 10/1999	Reidenbach .....	D9/453
5,964,139 A	10/1999	Spatz et al.	
D419,071 S	* 1/2000	Peters et al. ....	D9/453
D420,916 S	* 2/2000	Ohmi et al. ....	D9/453

*Primary Examiner*—Robert M. Spear  
*Assistant Examiner*—Susan Bennett-Hattan  
 (74) *Attorney, Agent, or Firm*—Knoble & Yoshida & Dunleavy LLC

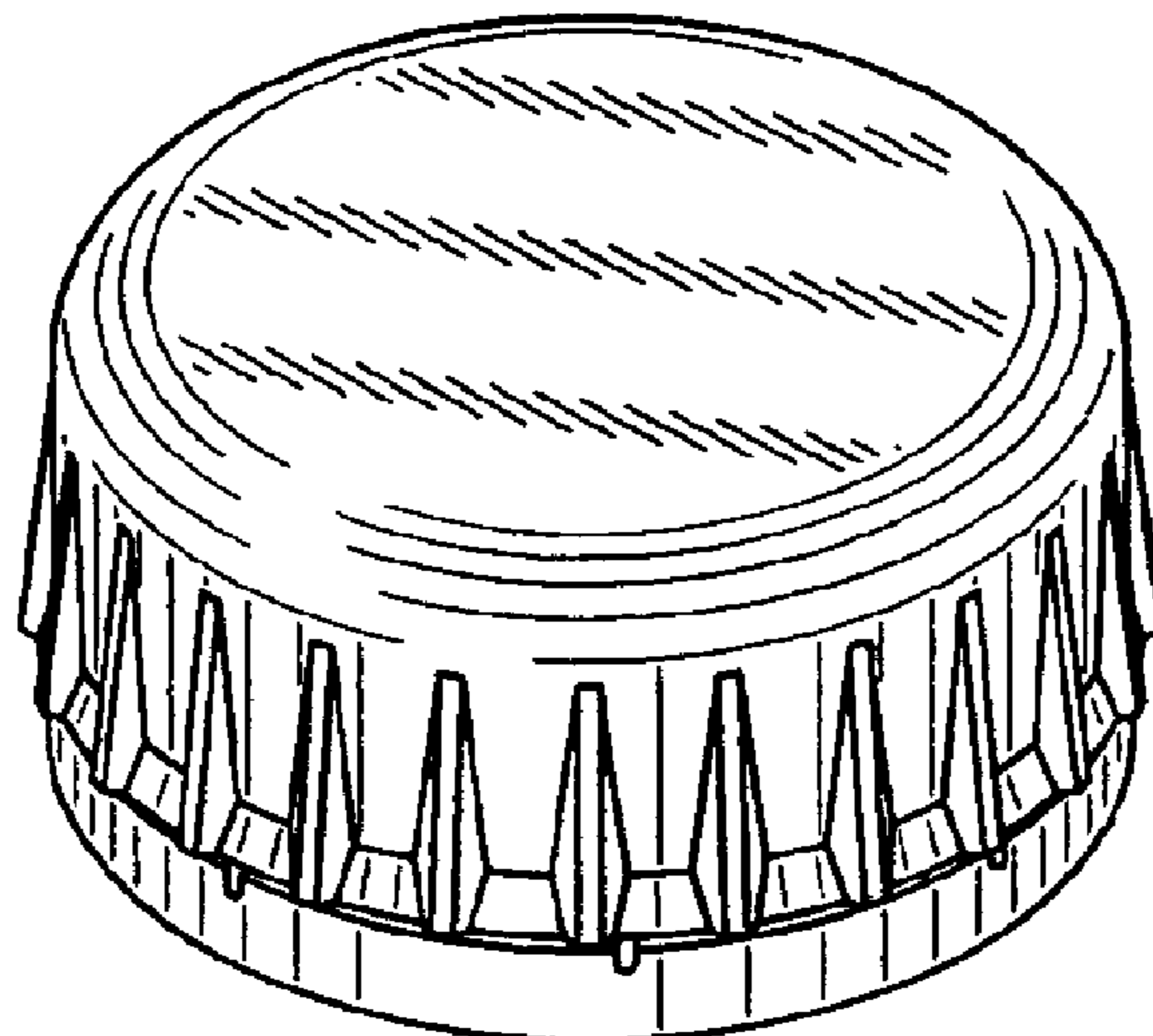
(57) **CLAIM**

The ornamental design for a “closure,” as shown and described.

**DESCRIPTION**

FIG. 1 is a perspective view showing our new design; FIG. 2 is a front elevational view; FIG. 3 is a rear elevational view; FIG. 4 is a top plan view; FIG. 5 is a bottom plan view; and, FIG. 6 is a cross-sectional view taken along lines 6—6 in FIG. 5.

**1 Claim, 3 Drawing Sheets**



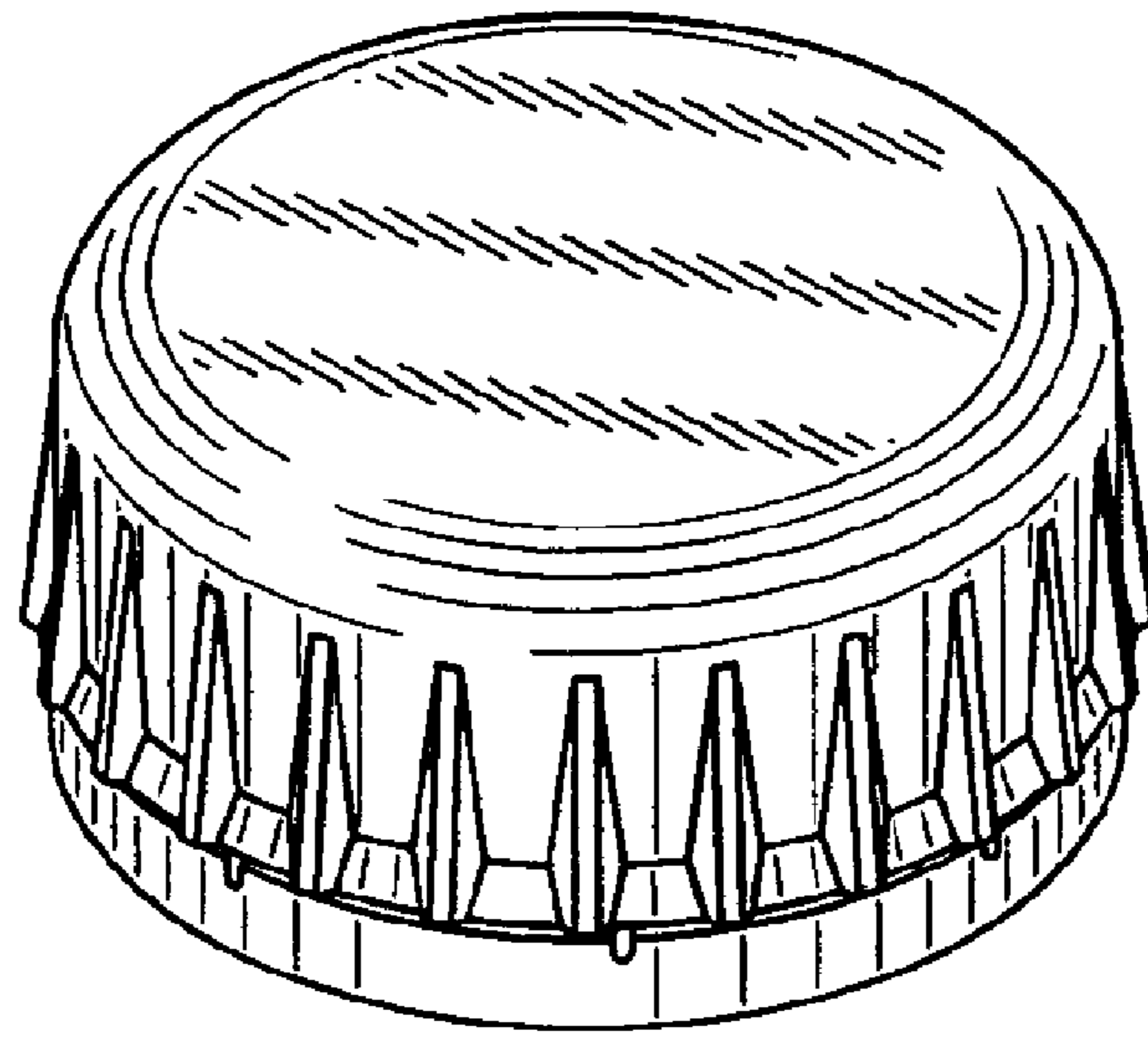


FIG. 1

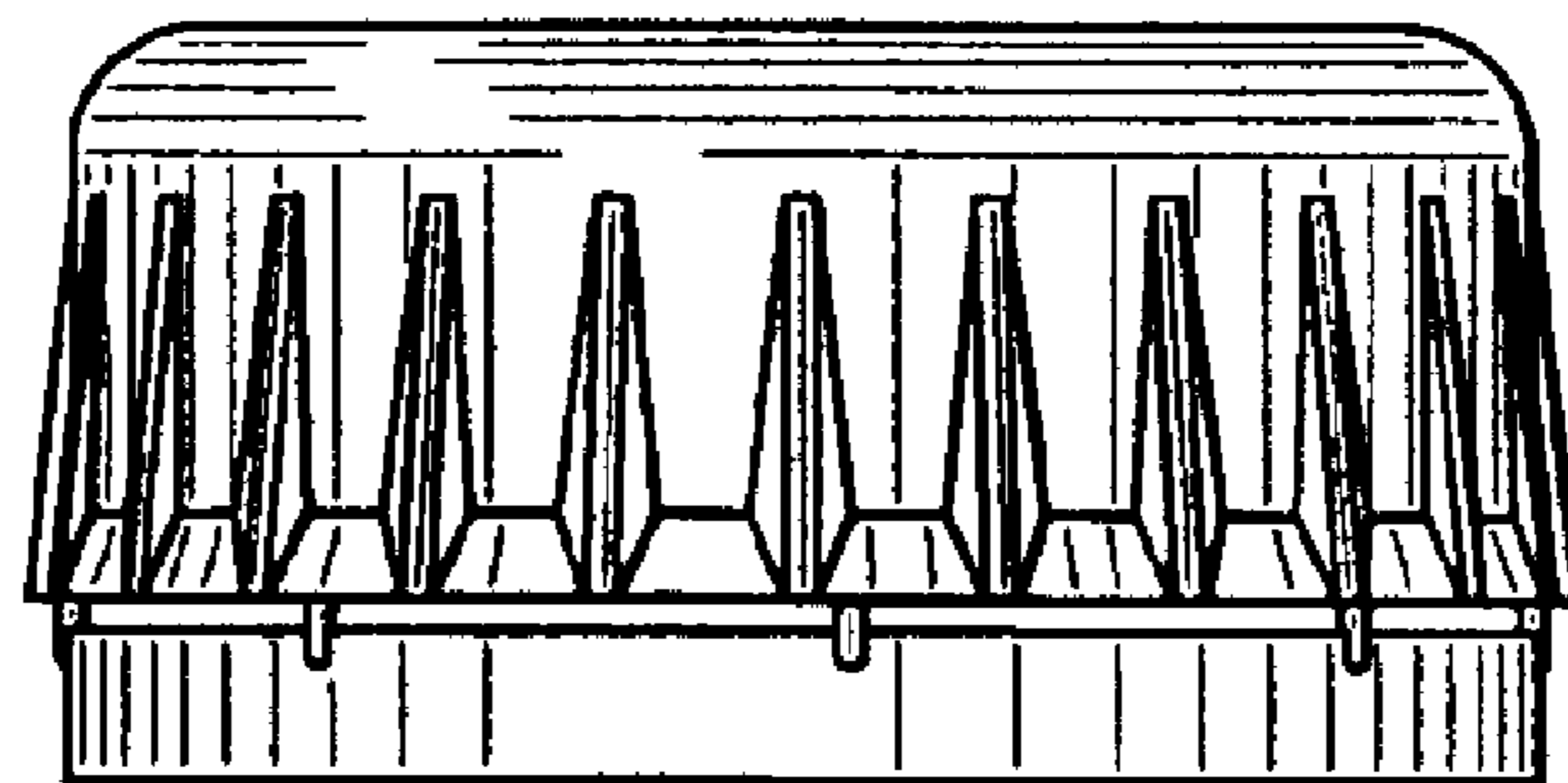


FIG. 2

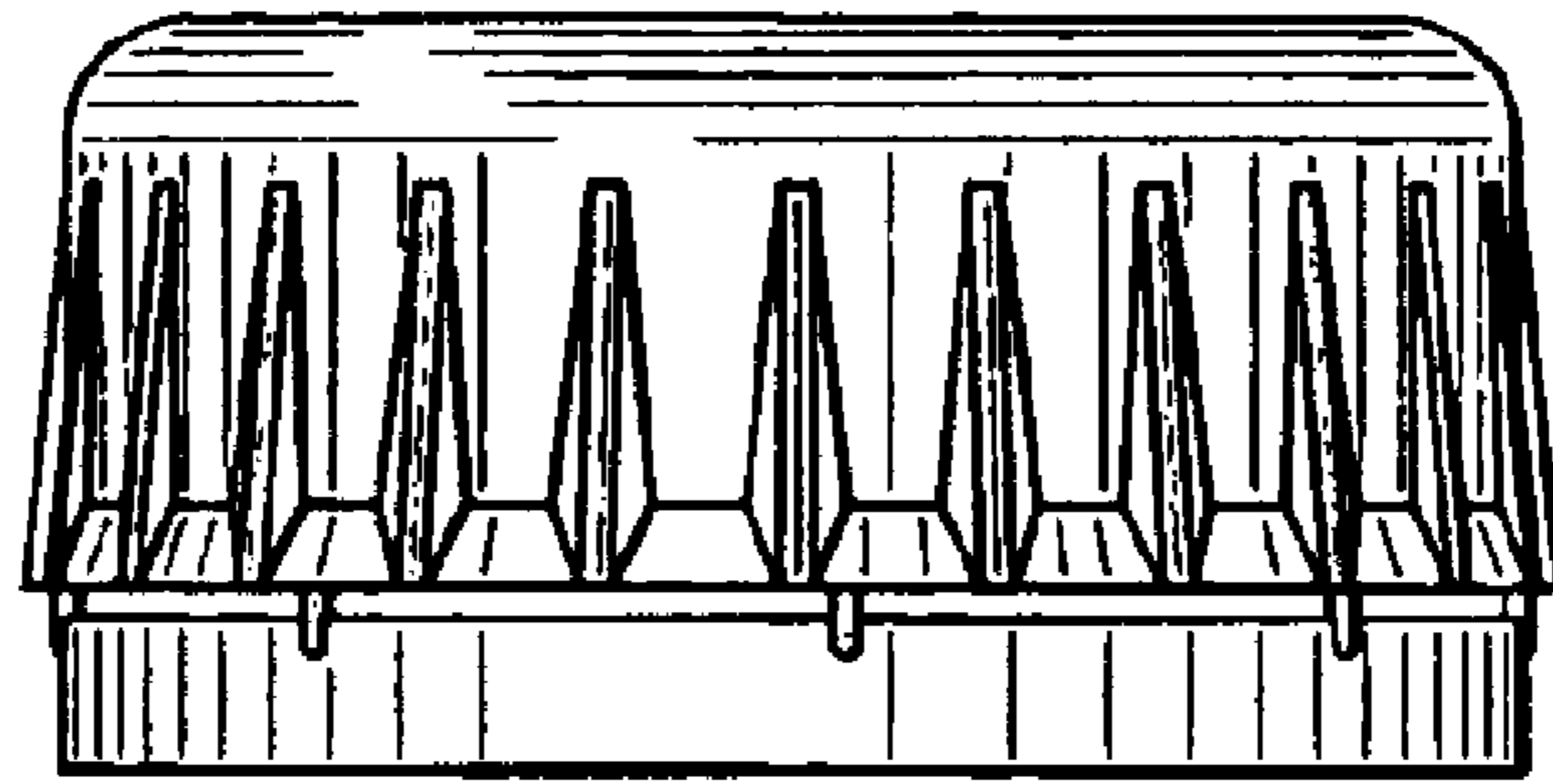


FIG. 3

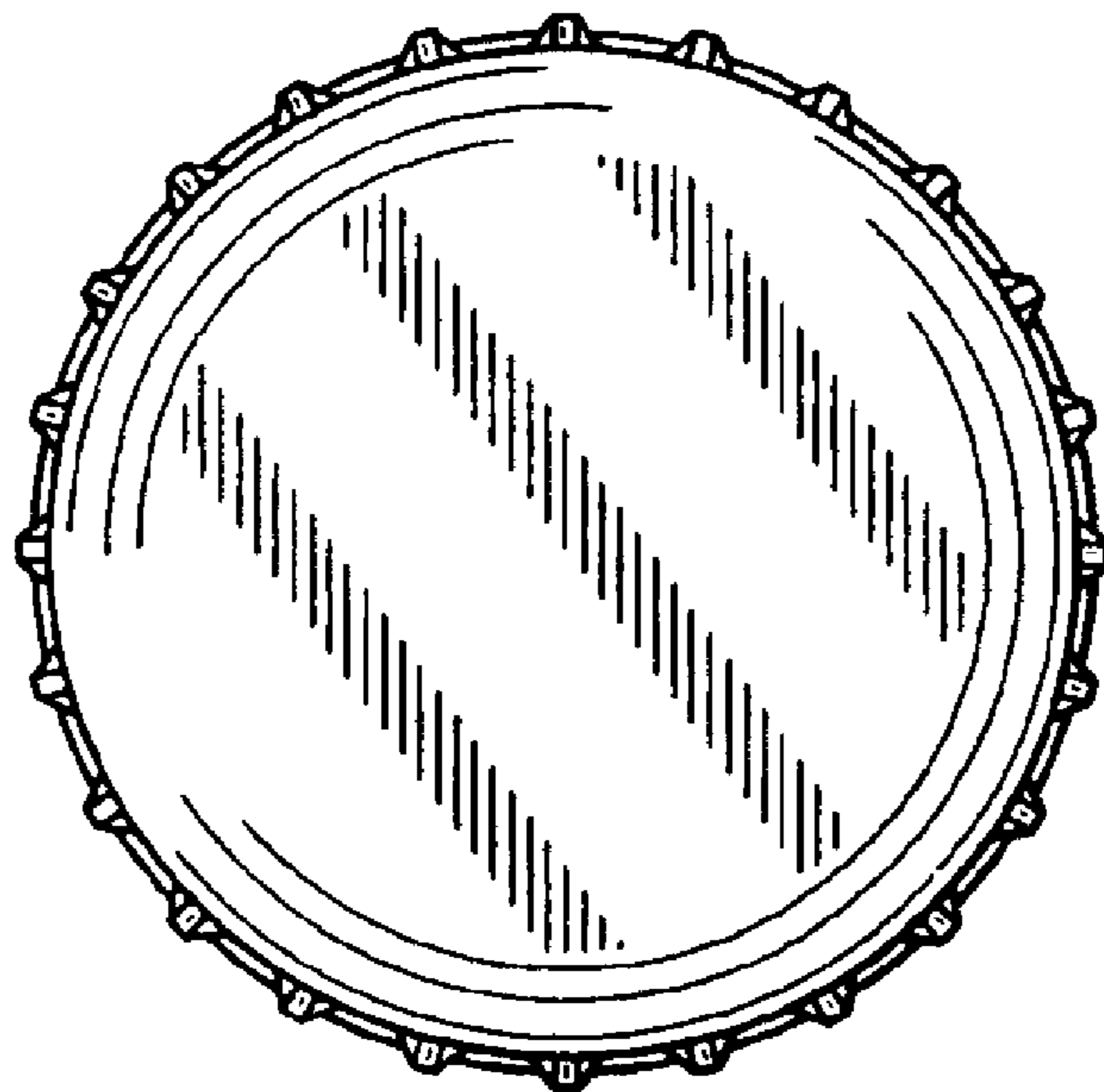


FIG. 4

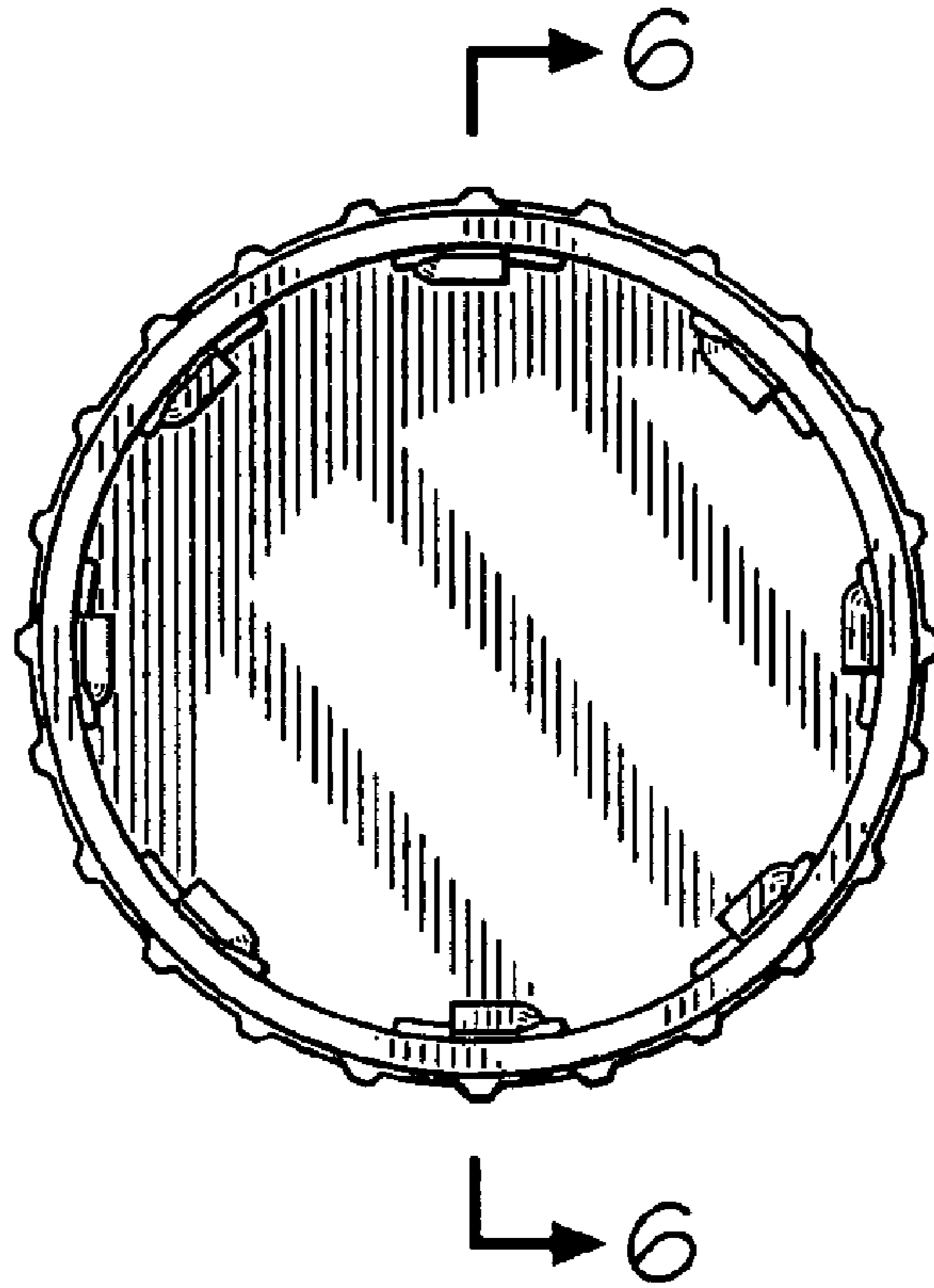


FIG. 5

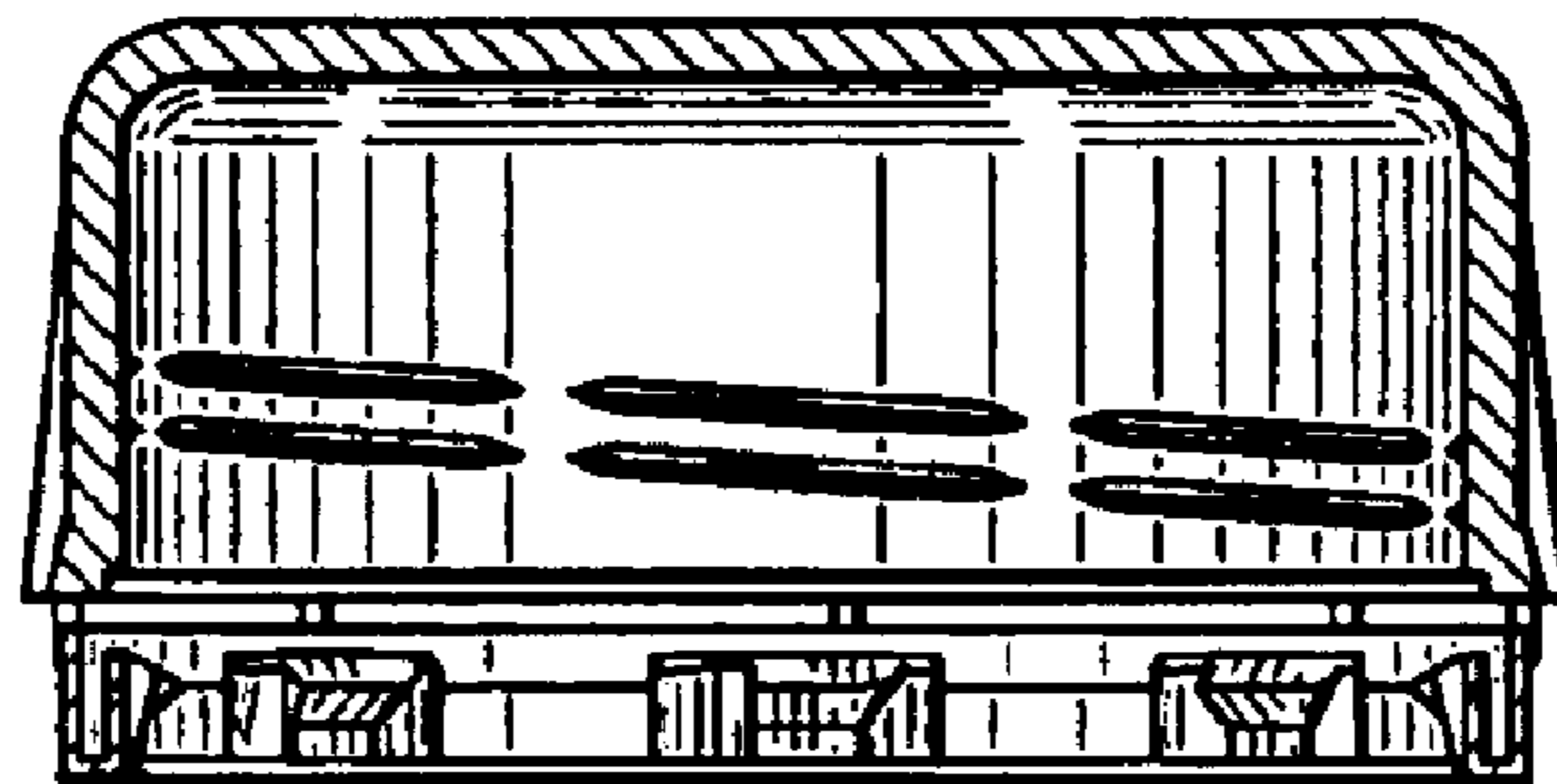


FIG. 6