

US00D507744S

(12) **United States Design Patent** (10) **Patent No.:** **US D507,744 S**  
**Hierzer et al.** (45) **Date of Patent:** **\*\* Jul. 26, 2005**

(54) **DISPENSING CLOSURE**  
(75) Inventors: **Valentin Hierzer**, Arlington Heights, IL (US); **David Ziegenhorn**, Grayslake, IL (US)

6,056,142 A 5/2000 Elliott  
6,224,922 B1 5/2001 Fonte  
6,477,743 B1 \* 11/2002 Gross et al. .... 222/499  
D481,313 S \* 10/2003 Archer ..... D9/453  
D490,315 S \* 5/2004 Kiser ..... D9/453

(73) Assignee: **Crown Packaging Technology, Inc.**, Alsip, IL (US)

\* cited by examiner

(\*\*) Term: **14 Years**

*Primary Examiner*—Robert M. Spear  
*Assistant Examiner*—Susan Bennett-Hattan  
(74) *Attorney, Agent, or Firm*—Knoble Yoshida & Dunleavy LLC

(21) Appl. No.: **29/201,847**

(22) Filed: **Mar. 22, 2004**

(57) **CLAIM**

(51) **LOC (8) Cl.** ..... **09-07**  
(52) **U.S. Cl.** ..... **D9/440**  
(58) **Field of Search** ..... D9/501, 454, 453, D9/452, 450, 448, 438, 435, 434, 440; 222/499; 215/217, 214, 211, 208, 200

The ornamental design for a “dispensing closure,” as shown and described.

**DESCRIPTION**

(56) **References Cited**

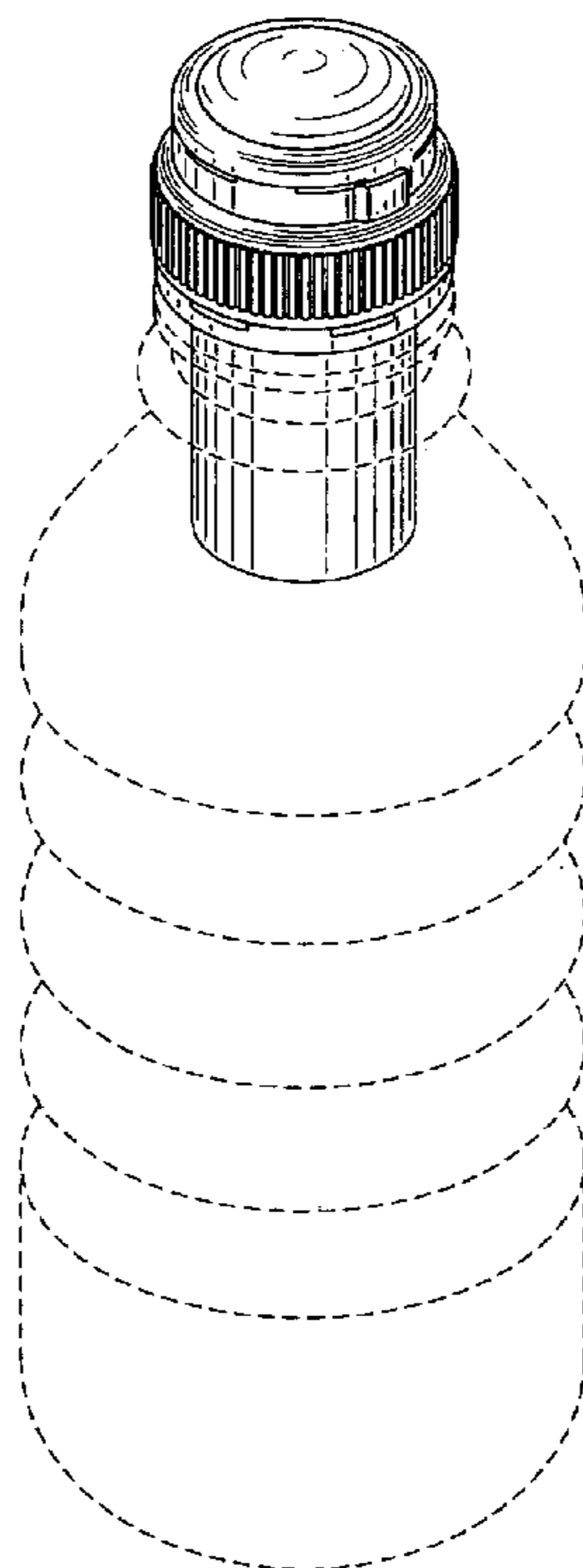
**U.S. PATENT DOCUMENTS**

D120,464 S \* 5/1940 Martin ..... D9/434  
3,347,410 A 10/1967 Schwartzman  
3,454,177 A 7/1969 Bloom  
4,550,825 A 11/1985 Sutryn et al.  
4,785,931 A 11/1988 Weir et al.  
D304,424 S \* 11/1989 Dawson ..... D9/453  
D318,804 S \* 8/1991 Ochs ..... D9/453  
D381,906 S \* 8/1997 Bartsch ..... D9/438  
D382,482 S \* 8/1997 Lathrop et al. .... D9/453  
D398,851 S \* 9/1998 Gaiser et al. .... D9/453  
D406,643 S \* 3/1999 Niedospial et al. .... D9/453  
6,045,254 A 4/2000 Inbar et al.

FIG. 1 is a perspective view showing our new design; FIG. 2 is a first side elevational view; FIG. 3 is a second side elevational view; FIG. 4 is a top plan view; FIG. 5 is a perspective view showing our new design without probable environmental structure; FIG. 6 is a first side elevational view without probable environmental structure; FIG. 7 is a second side elevational view without probable environmental structure; and, FIG. 8 is a top plan view without probable environmental structure.

Any broken lines in the drawings depict probable environment only and form no part of the claimed design.

**1 Claim, 5 Drawing Sheets**



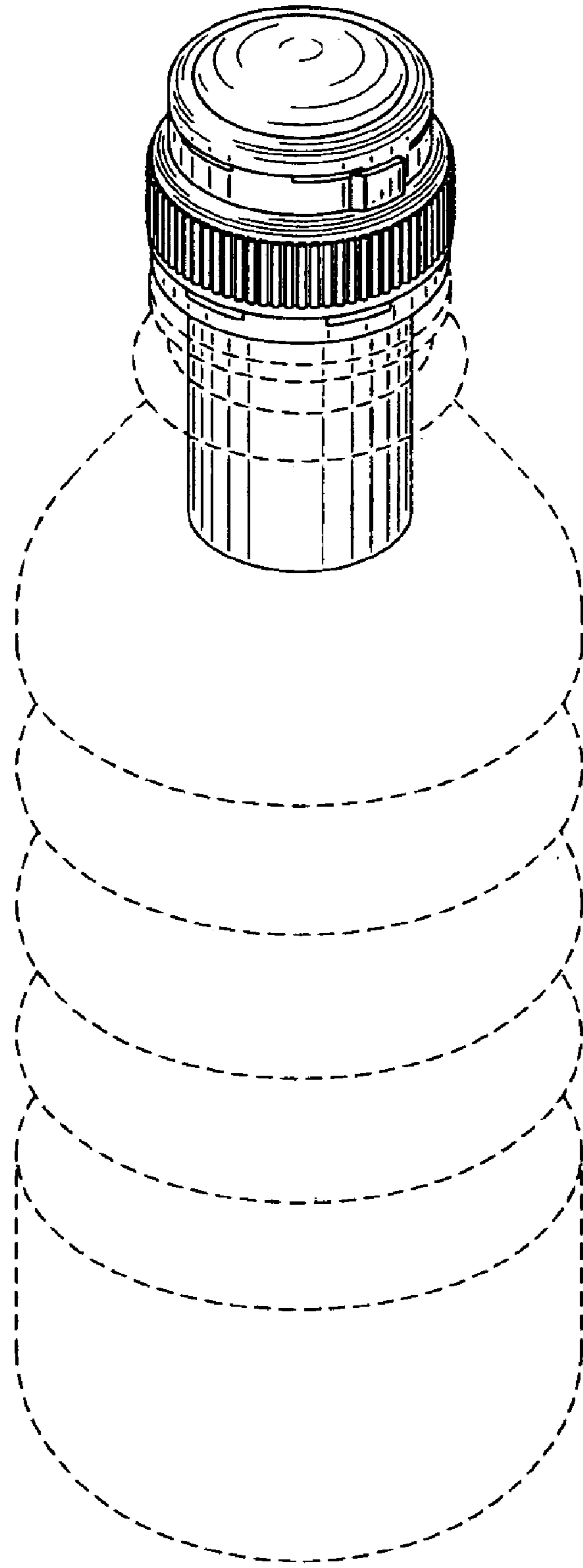


FIG. 1

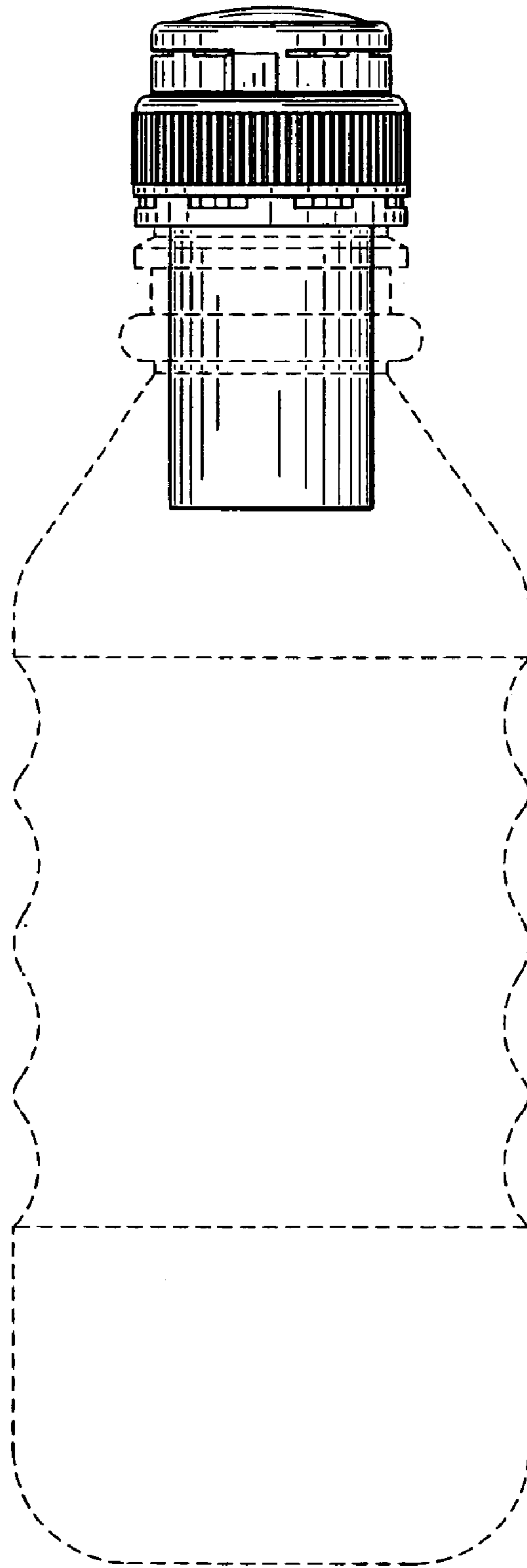


FIG. 2

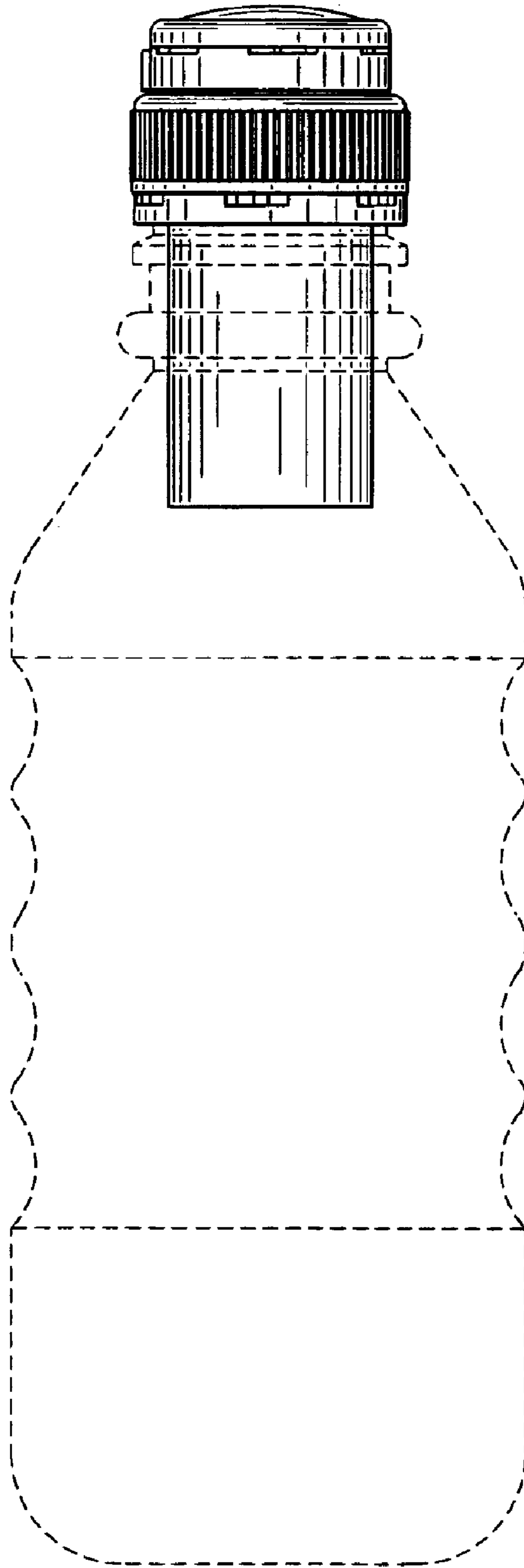


FIG. 3

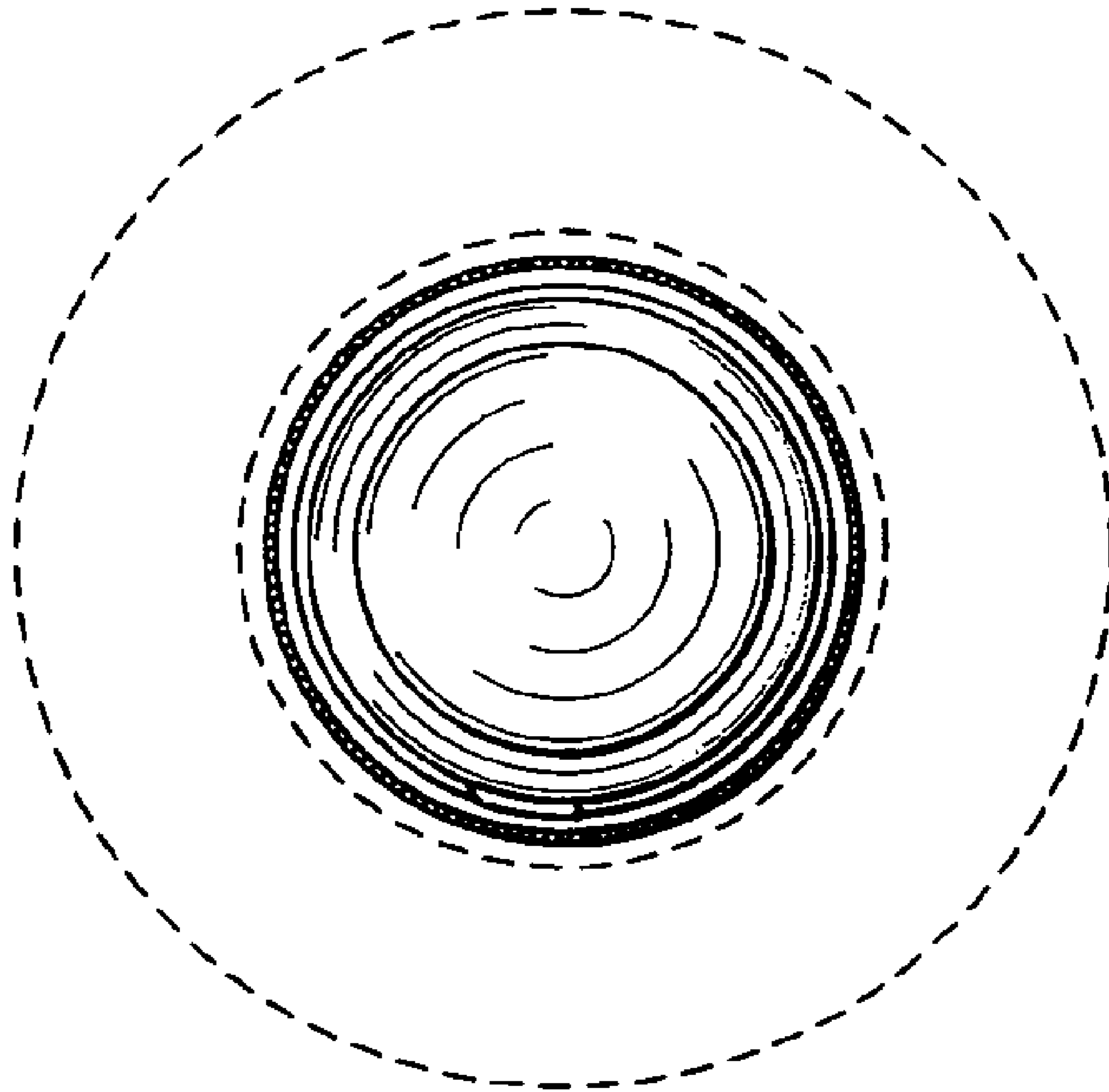


FIG. 4

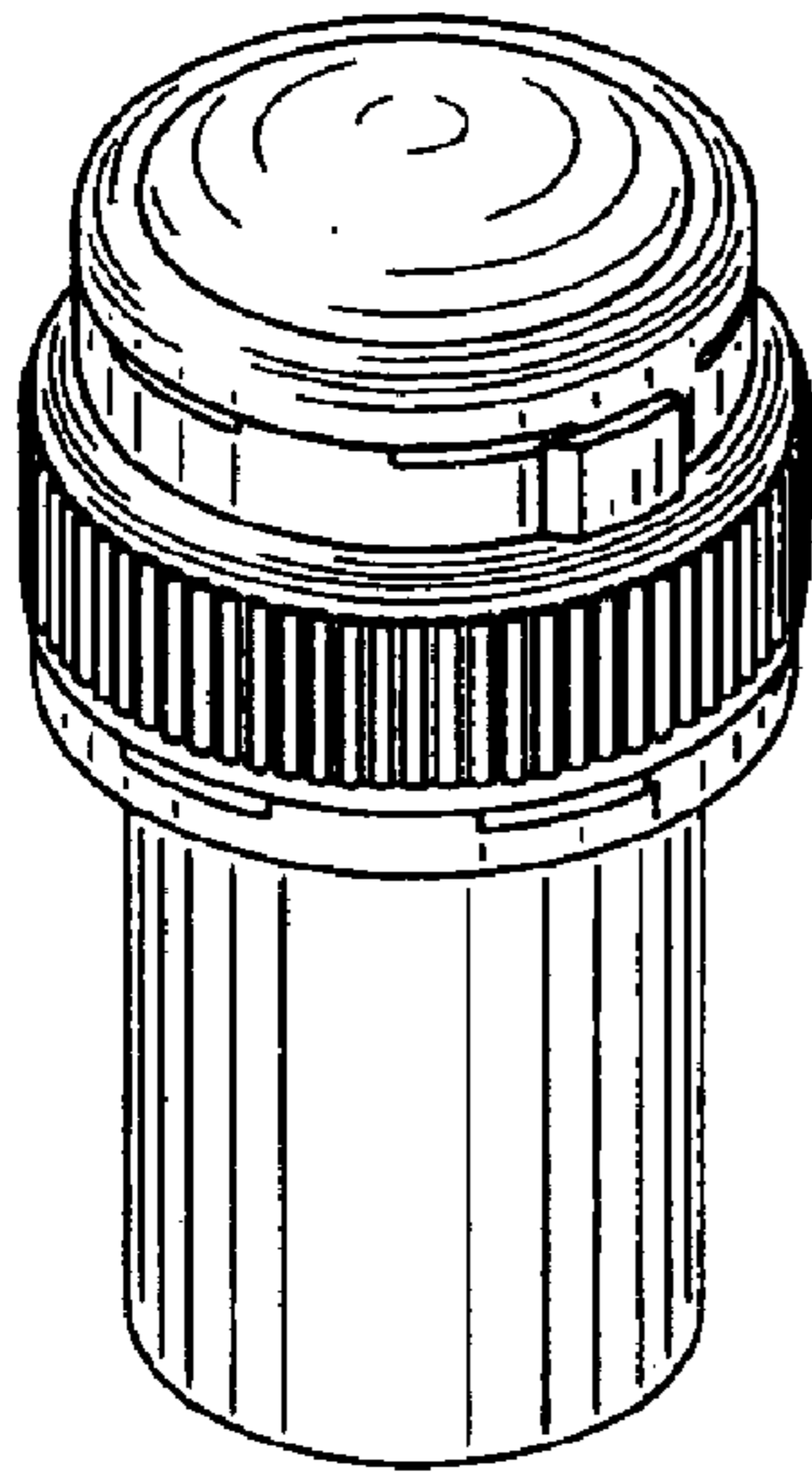


FIG. 5

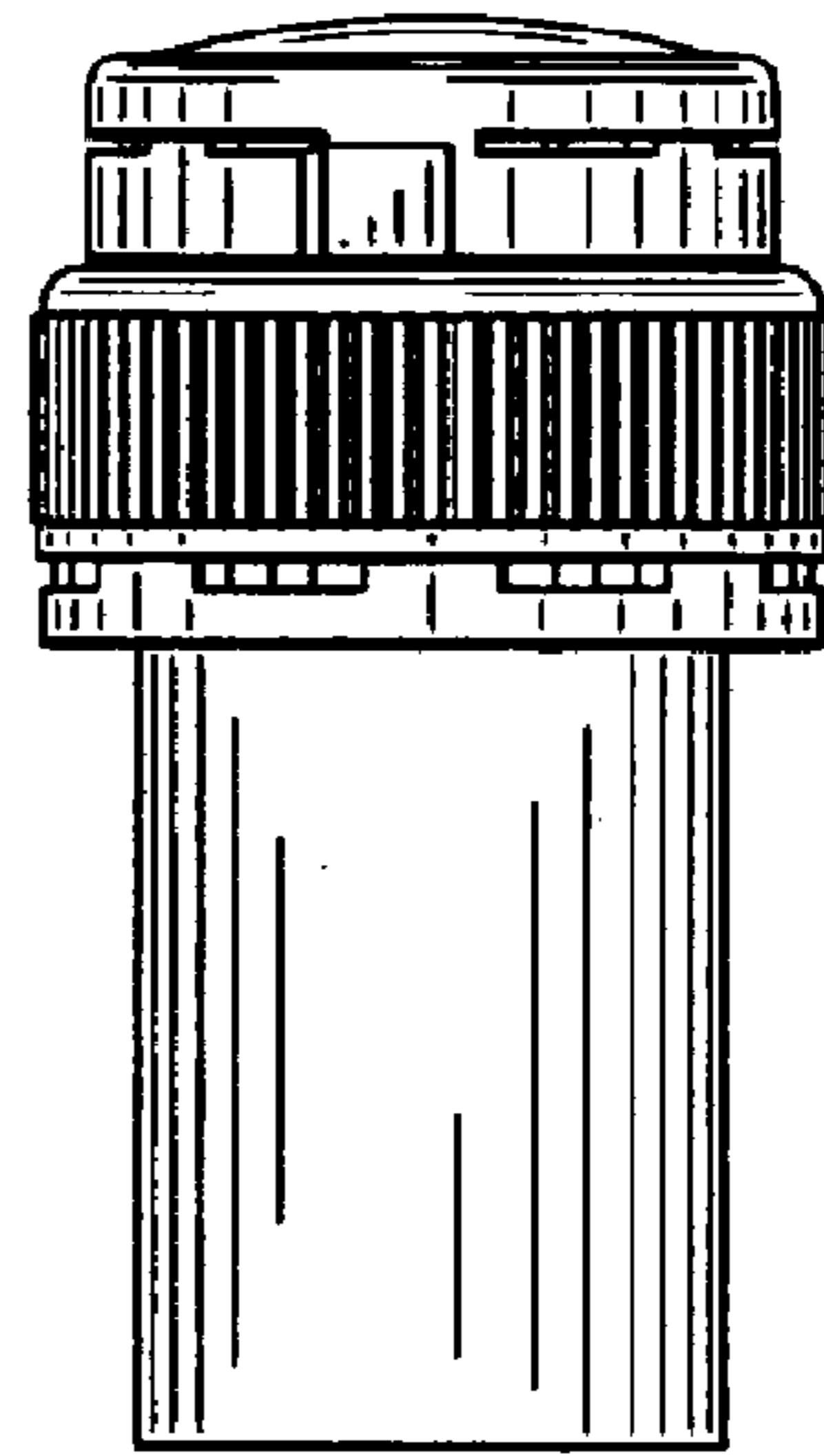


FIG. 6

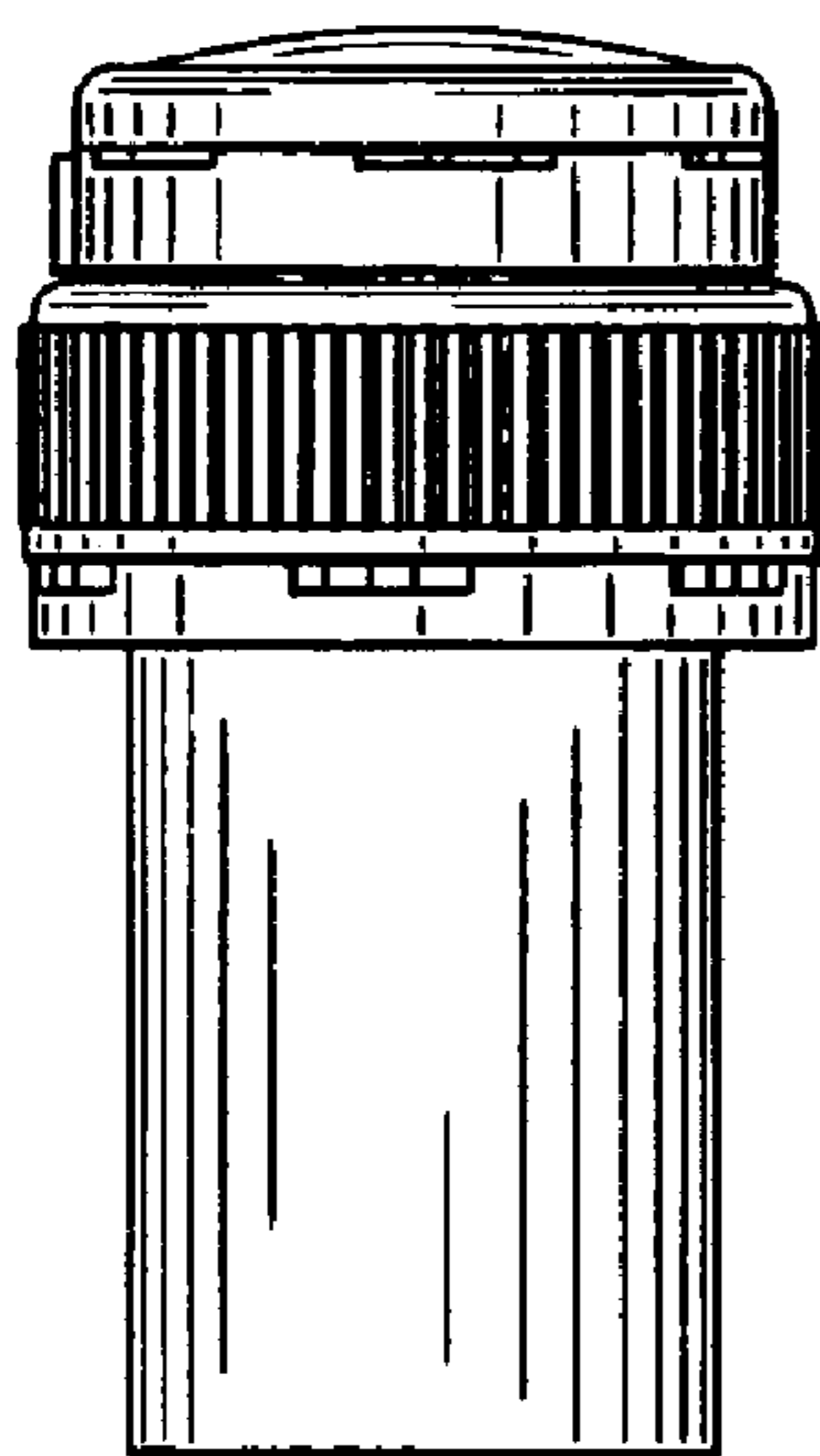


FIG. 7

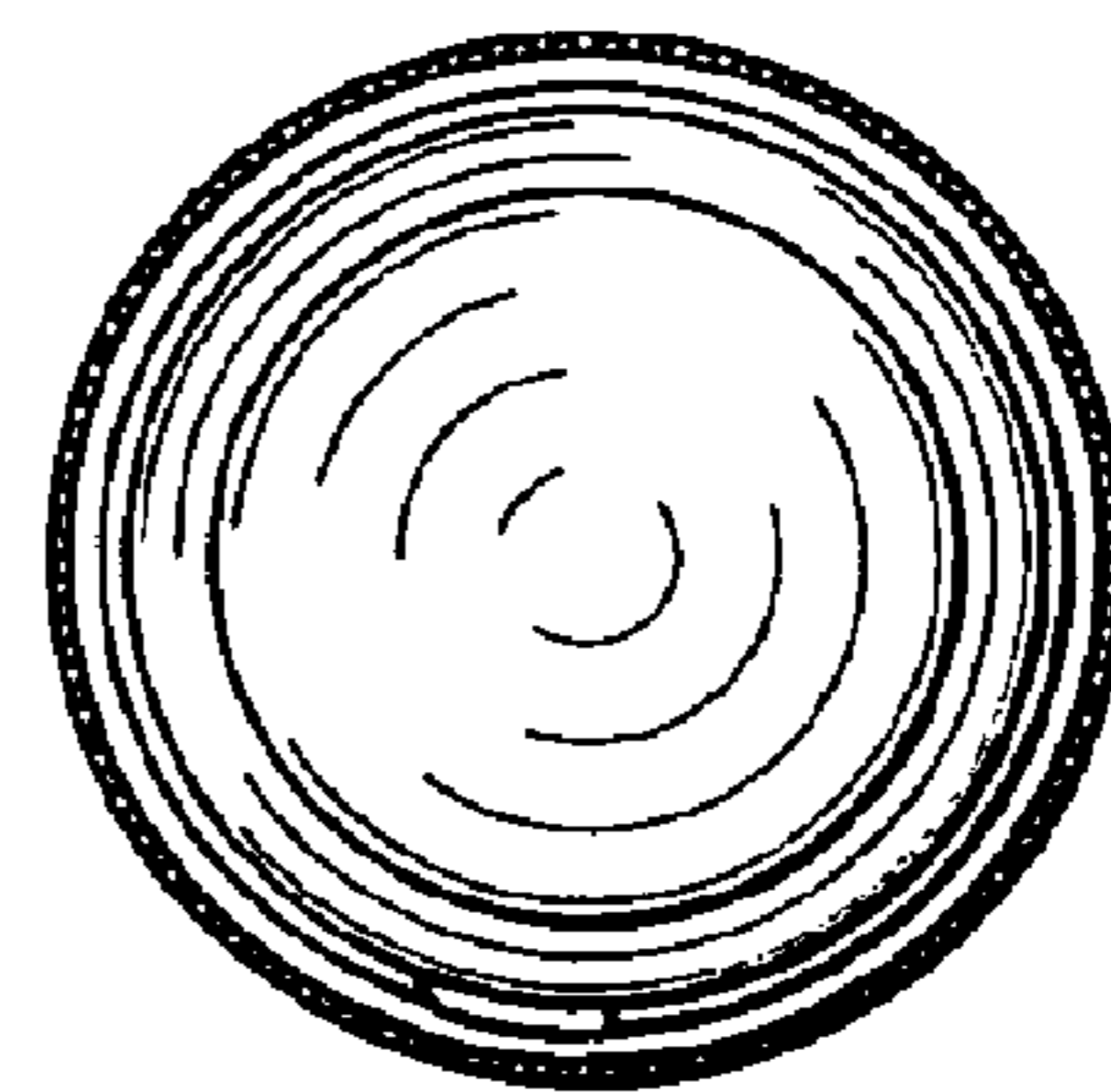


FIG. 8