

US00D507740S

(12) **United States Design Patent**
Ruiz et al.

(10) **Patent No.: US D507,740 S**
(45) **Date of Patent: ** Jul. 26, 2005**

- (54) **CLEANING PAD PACKAGING**
- (75) Inventors: **Ricardo Ruiz**, Pleasanton, CA (US);
Michael L. Mitchell, Pleasanton, CA (US)
- (73) Assignee: **The Clorox Company**, Oakland, CA (US)
- (**) Term: **14 Years**
- (21) Appl. No.: **29/205,348**
- (22) Filed: **May 13, 2004**
- (51) **LOC (8) Cl.** **09-07**
- (52) **U.S. Cl.** **D9/425; D9/430**
- (58) **Field of Search** D14/496, 125,
D14/137, 159, 160, 474, 433, 435; 273/148 B;
700/94; 710/62, 63, 100; 365/189.05; 348/231.3,
231; 463/40-47; 206/308.1, 307, 308.3;
369/2, 24, 25; 370/342-344

- 5,048,707 A * 9/1991 Hallberg 220/4.21
- D322,403 S * 12/1991 Eaton D9/429
- D329,747 S * 9/1992 Embree D3/294
- D341,057 S * 11/1993 Lundberg et al. D7/359
- 5,390,817 A * 2/1995 Rosen 220/669
- D398,526 S * 9/1998 Schwarz et al. D9/431
- D495,597 S * 9/2004 Rubalcava et al. D9/425

* cited by examiner

Primary Examiner—Prabhakar Deshmukh
(74) *Attorney, Agent, or Firm*—Monica H. Winghart; David Peterson

(57) **CLAIM**

The ornamental design for a cleaning pad packaging, as shown.

DESCRIPTION

FIG. 1 is a perspective view of the cleaning pad packaging; FIG. 2 is a right side view thereof; FIG. 3 is a left side view thereof; FIG. 4 is a top view thereof; FIG. 5 is a bottom view thereof; FIG. 6 is a front view thereof; and, FIG. 7 is a rear view thereof.

(56) **References Cited**
U.S. PATENT DOCUMENTS

- 3,659,741 A * 5/1972 Corelli 220/592.01
- 4,616,762 A * 10/1986 Alexander 220/658
- 4,911,083 A * 3/1990 Considine 108/44

1 Claim, 3 Drawing Sheets

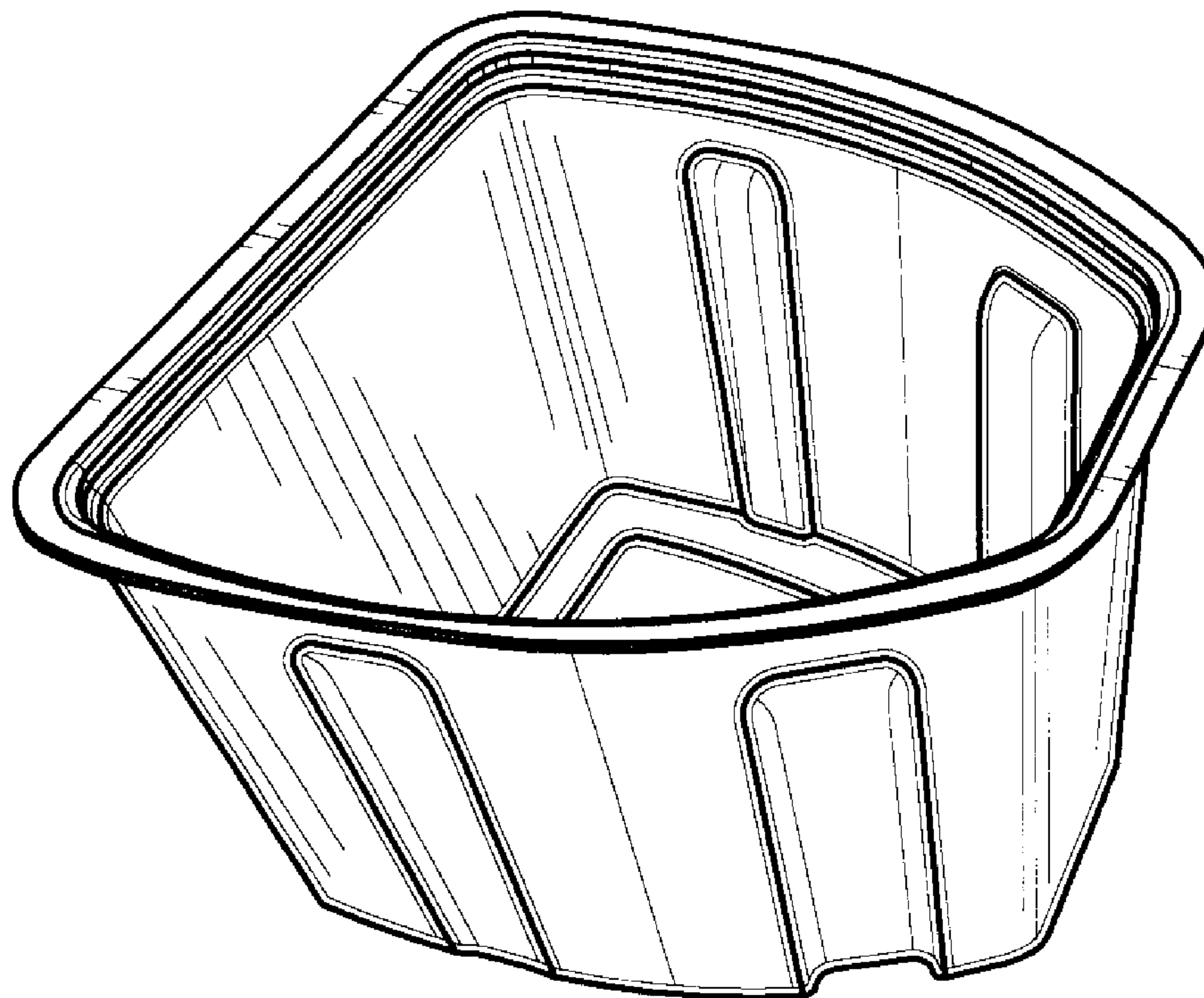


FIG.1

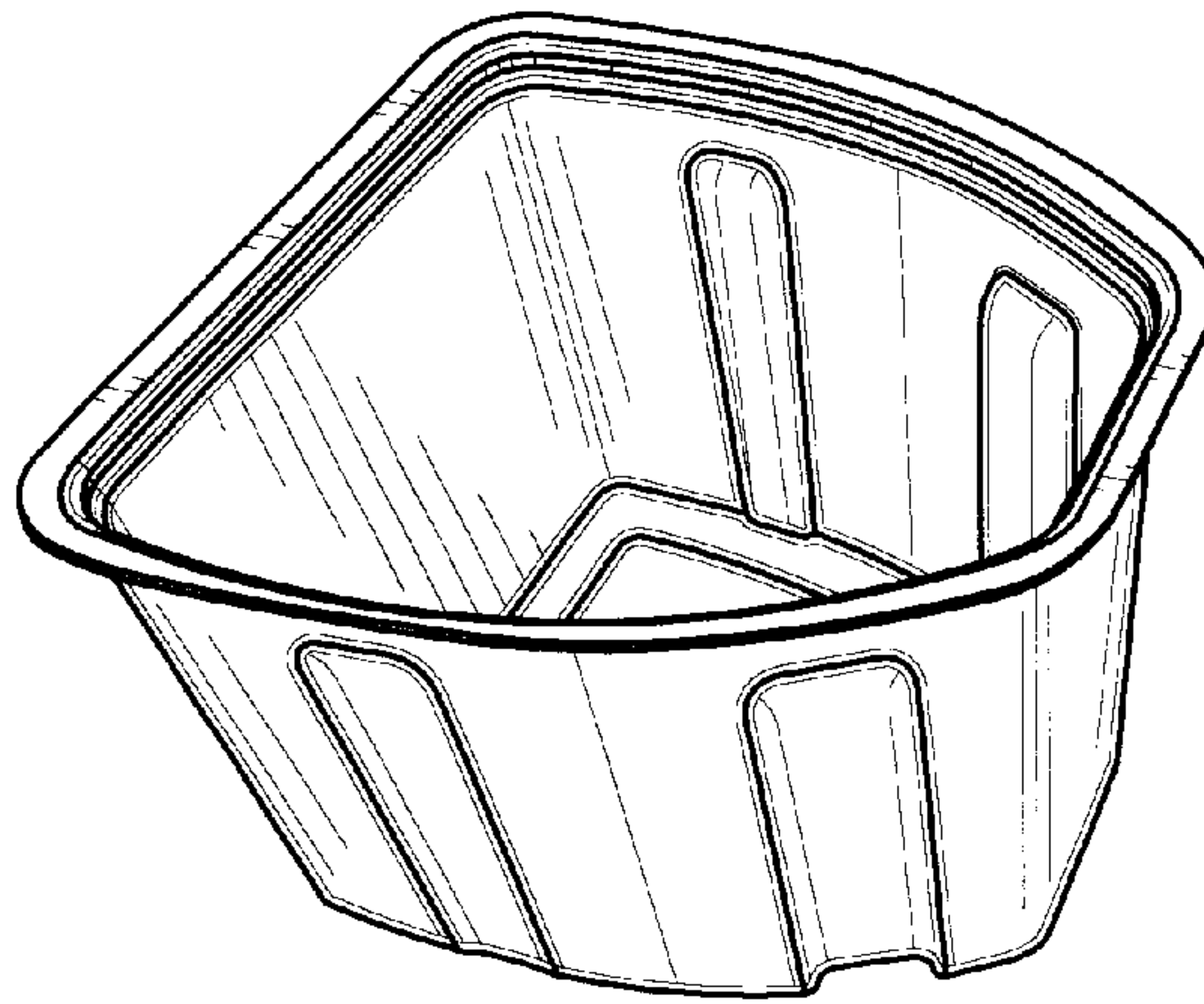


FIG.6

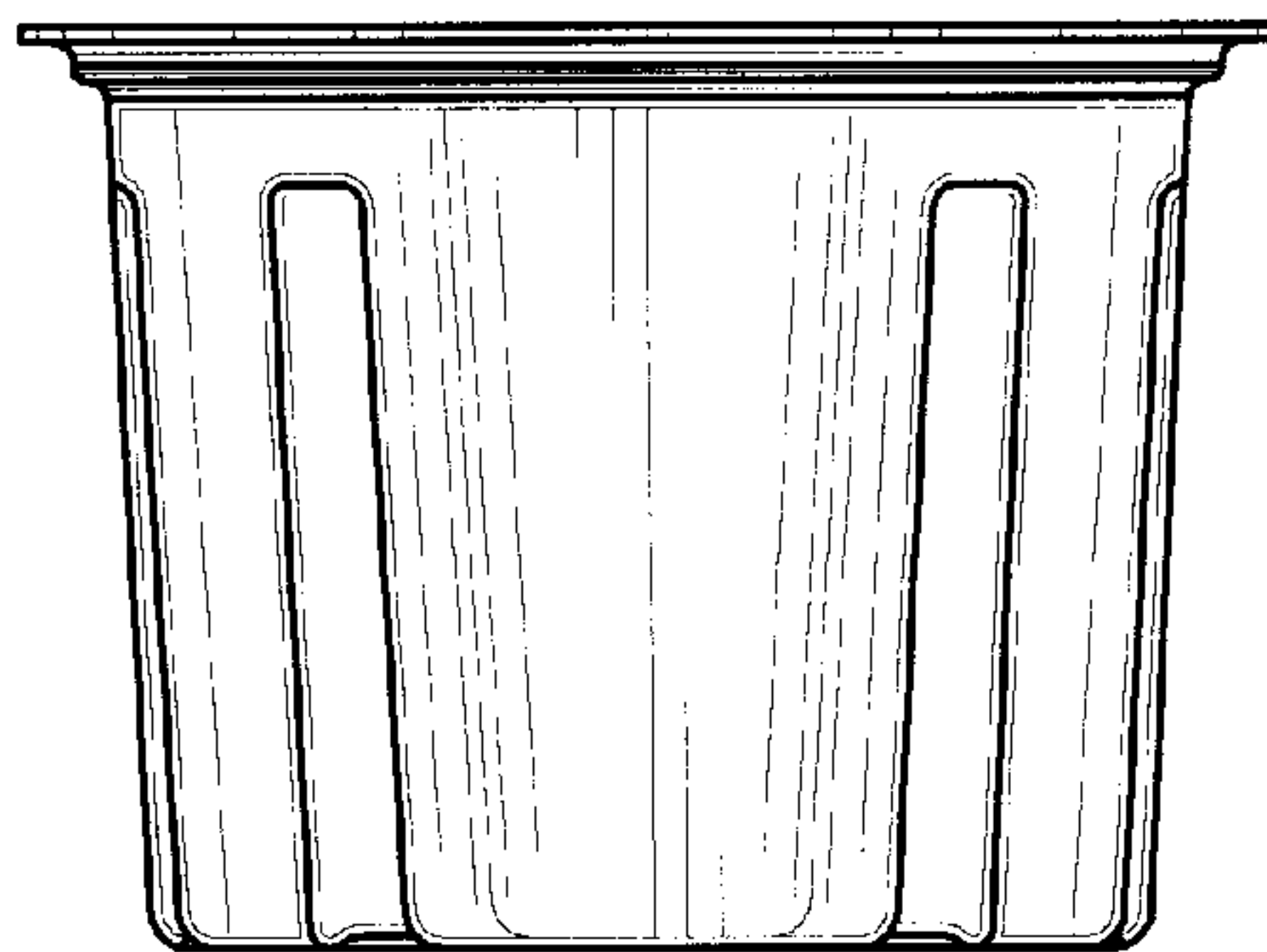


FIG.7

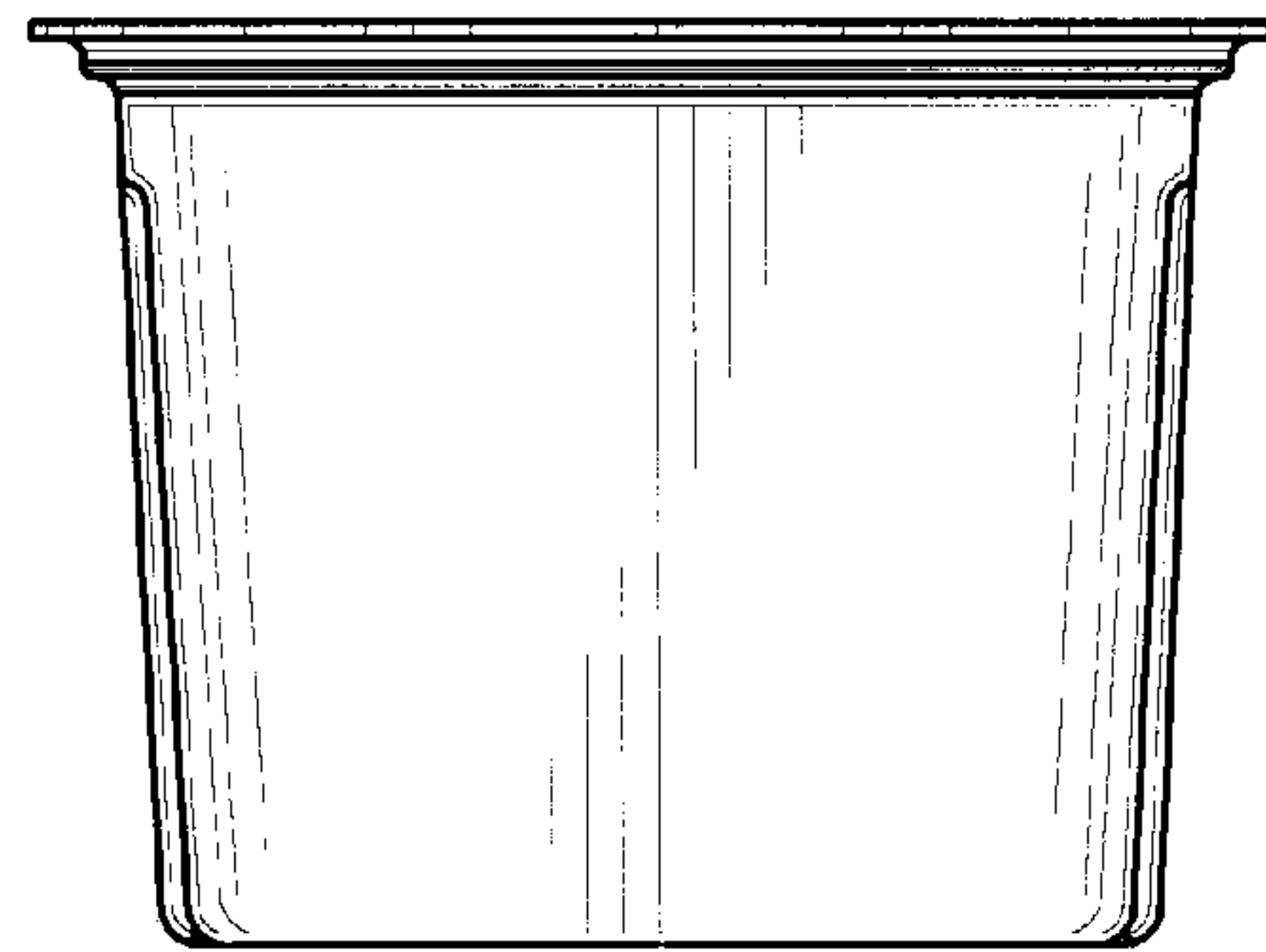


FIG.2

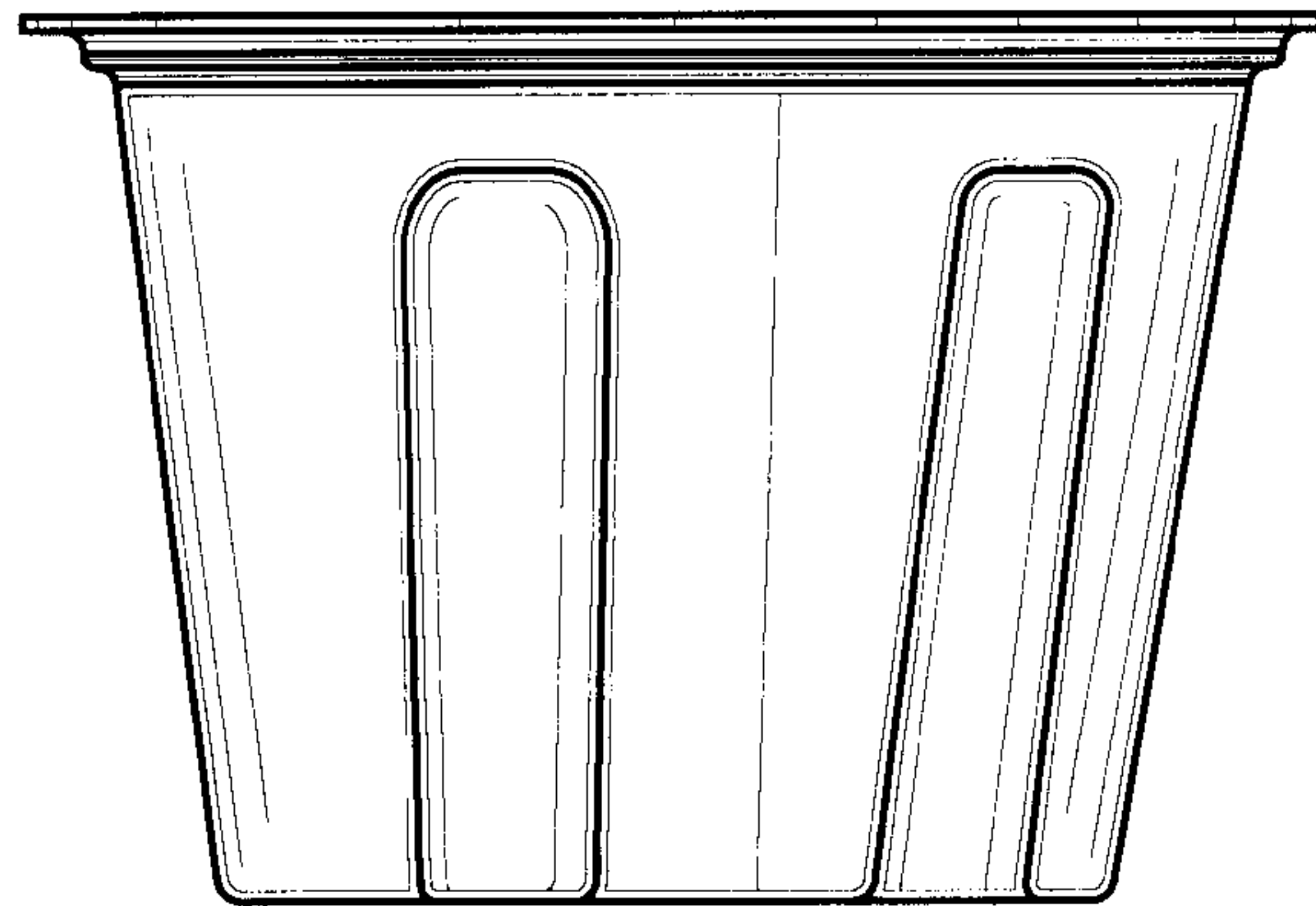


FIG.3

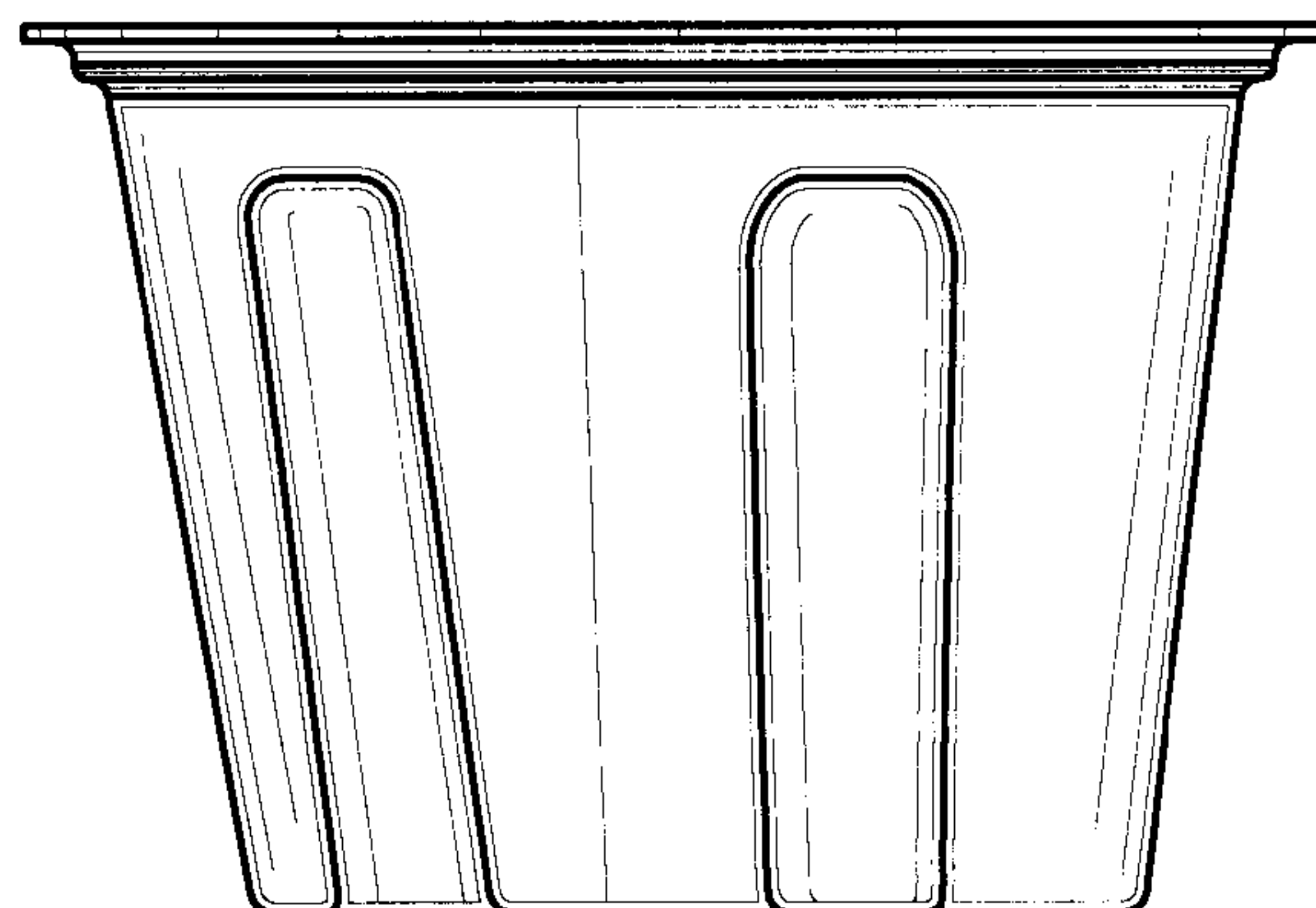


FIG.4

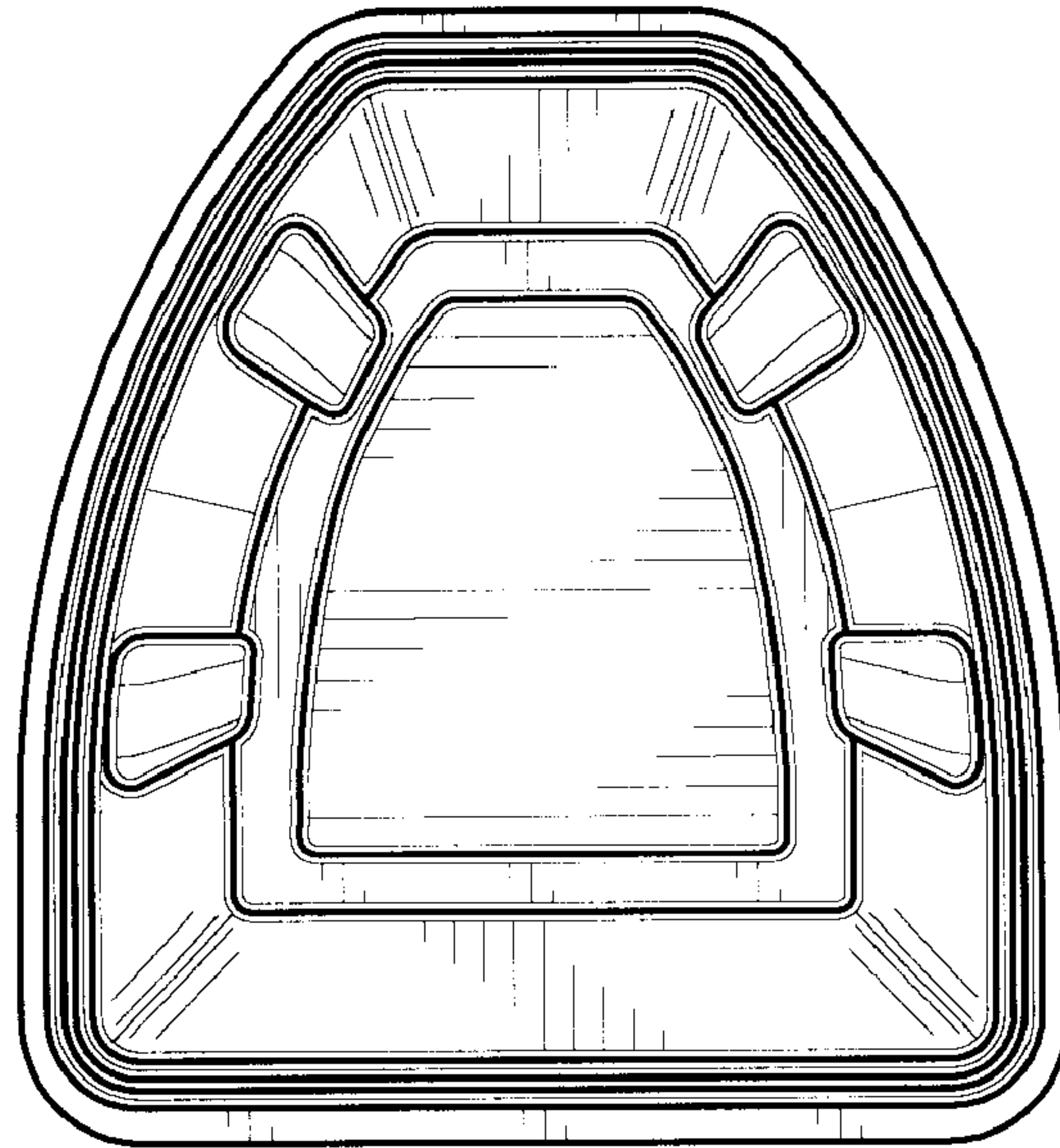


FIG.5

