

US00D507736S

(12) **United States Design Patent** (10) **Patent No.:** **US D507,736 S**
Wolfberg (45) **Date of Patent:** **** Jul. 26, 2005**

(54) **LACE RETENTION CLIP**

6,536,086 B2 3/2003 Liu
6,662,415 B1 * 12/2003 Lin 24/712.9

(75) Inventor: **Darren Wolfberg**, Chicago, IL (US)

FOREIGN PATENT DOCUMENTS

(73) Assignee: **FlyClip LLC**, Chicago, IL (US)

GB 2 343 701 A 5/2000

(**) Term: **14 Years**

OTHER PUBLICATIONS

(21) Appl. No.: **29/183,824**

International Search Report for PCT/US2004/010873
mailed Aug. 18, 2004.

(22) Filed: **Jun. 17, 2003**

Written Opinion for PCT/US2004/010873 mailed Aug. 18,
2004.

(51) **LOC (8) Cl.** **08-08**

* cited by examiner

(52) **U.S. Cl.** **D8/383; D11/216**

Primary Examiner—Ralf Seifert

(58) **Field of Search** D11/200, 201,
D11/208–210, 212–218, 220, 231–234,
237, 86–87, 94; 63/15.2, 15; 24/307, 625,
616, 200, 196, 171, 169, 112, 712, 712.6,
713.6, 133, 115 F, 115 G, 712.9, 70 SK,
70 CT, 70 ST, 70 J; D8/383; D2/978

(74) *Attorney, Agent, or Firm*—Marshall, Gerstein & Borun
LLP

(57) **CLAIM**

(56) **References Cited**

The ornamental design for a “lace retention clip,” as shown
and described.

U.S. PATENT DOCUMENTS

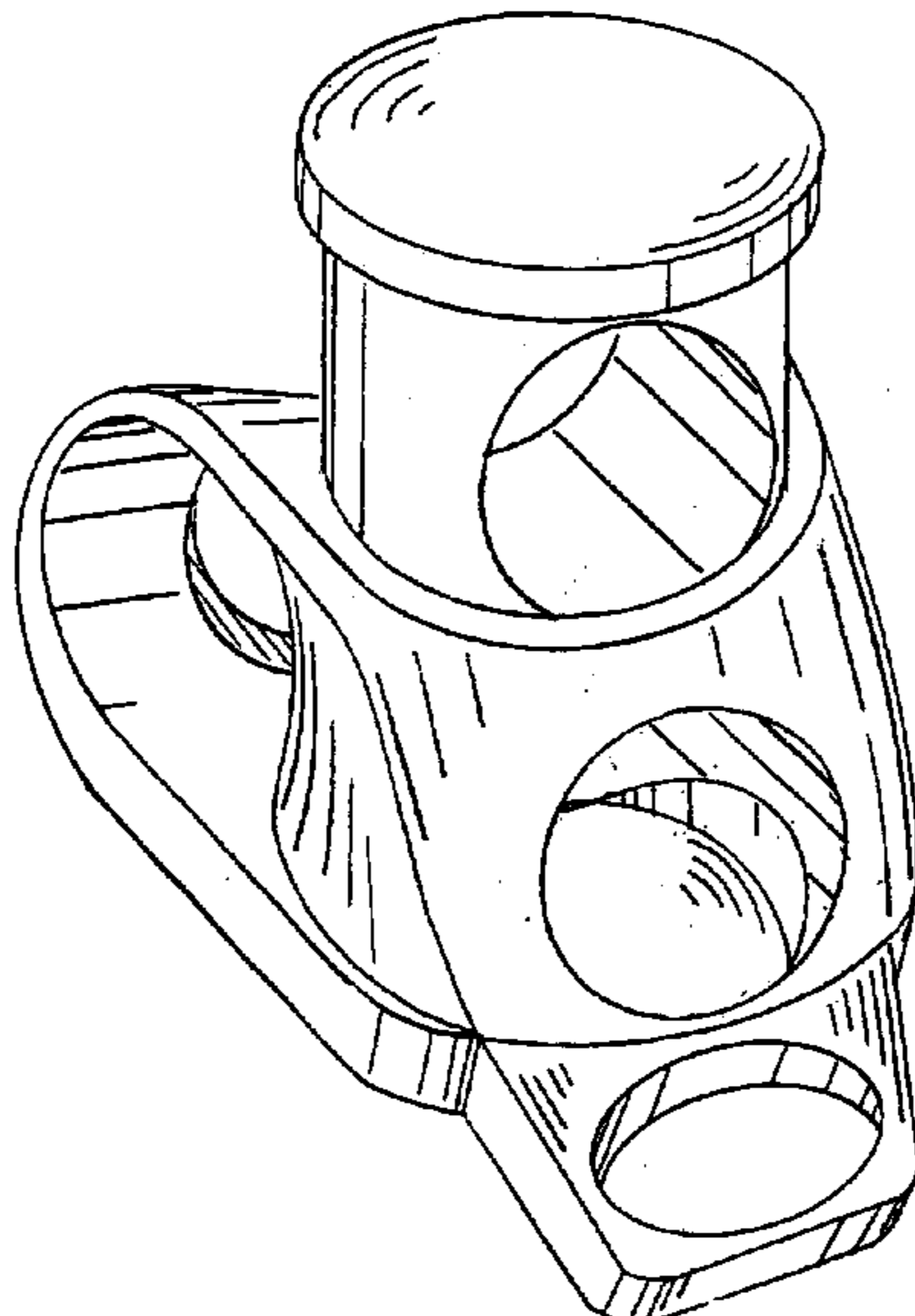
DESCRIPTION

307,806 A	11/1884	Sailer	
1,379,093 A	5/1921	Freeberg	
2,200,895 A	5/1940	Rio	
3,813,737 A	6/1974	Larsen	
3,845,575 A	11/1974	Boden	
4,453,292 A	* 6/1984	Bakker	24/115 G
5,008,981 A	4/1991	Smithson	
5,345,657 A	9/1994	Shimizu	
5,365,641 A	11/1994	Watanabe et al.	
D375,831 S	* 11/1996	Perry	D2/978
5,611,118 A	* 3/1997	Bibbee	24/298
5,649,340 A	* 7/1997	Ida	24/115 G
D399,045 S	* 10/1998	Liston	D2/978
5,987,712 A	11/1999	Tucker	
6,185,798 B1	2/2001	Ton	
6,327,751 B1	* 12/2001	Ikeda	24/115 G
6,334,240 B1	* 1/2002	Li	24/115 G
D454,777 S	* 3/2002	Yoshiguchi	D8/383
D468,234 S	* 1/2003	Johansson et al.	D11/216

FIG. 1 is a left side perspective view taken from the front
showing my new design;
FIG. 2 is a right elevational view thereof;
FIG. 3 is a front elevational view thereof;
FIG. 4 is a top side view thereof;
FIG. 5 is a bottom side view thereof;
FIG. 6 is a rear elevational view thereof;
FIG. 7 is a front left side perspective view showing a second
embodiment of my new design; and,
FIG. 8 is the top side view of FIG. 4 showing an illustrative
text message thereon.

The broken line text showing a “corporate logo” is for
illustrative purposes only and forms no part of the claimed
design. The “corporate logo” may be any illustration, adver-
tisement, or message.

1 Claim, 5 Drawing Sheets



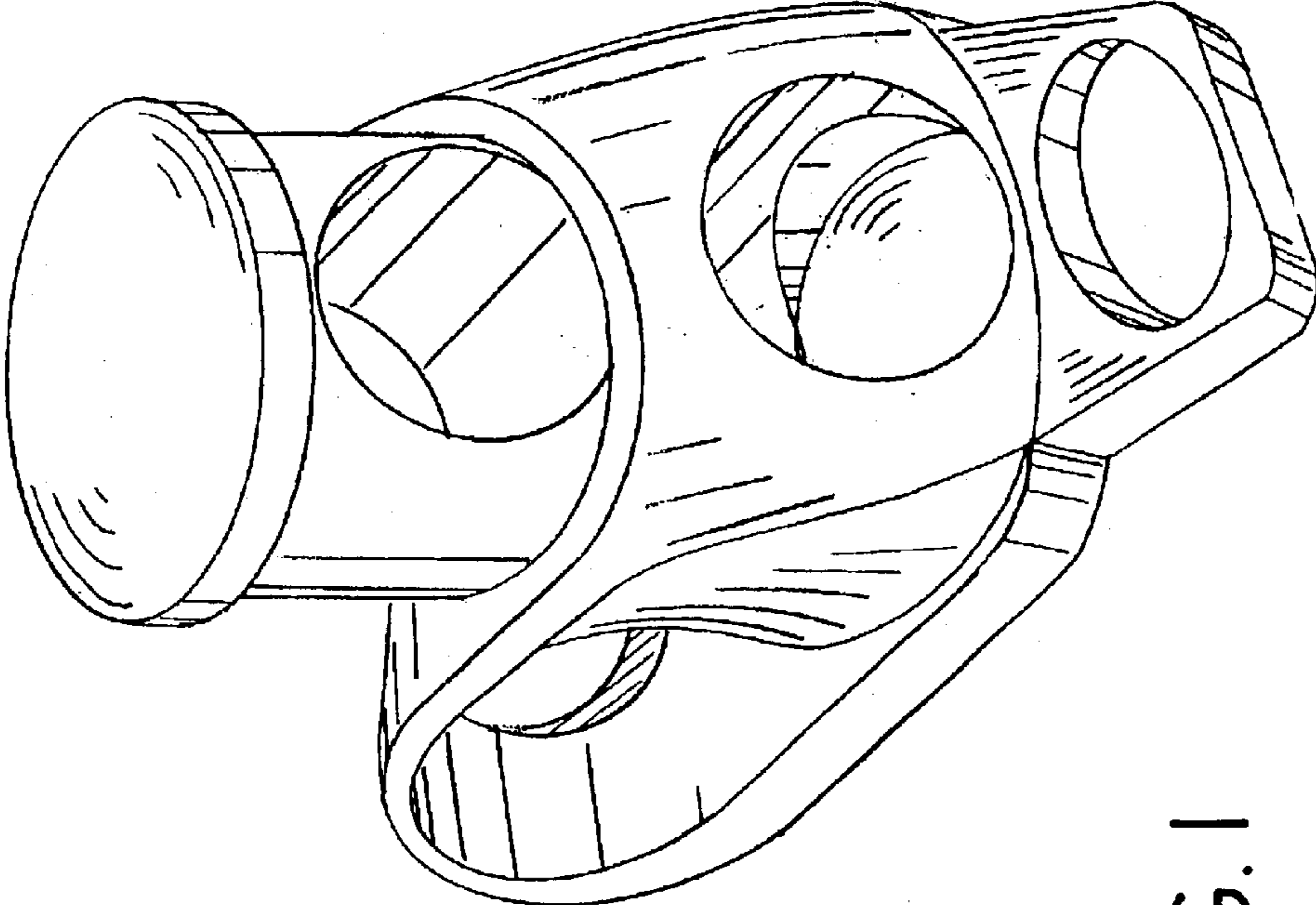


FIG. 1

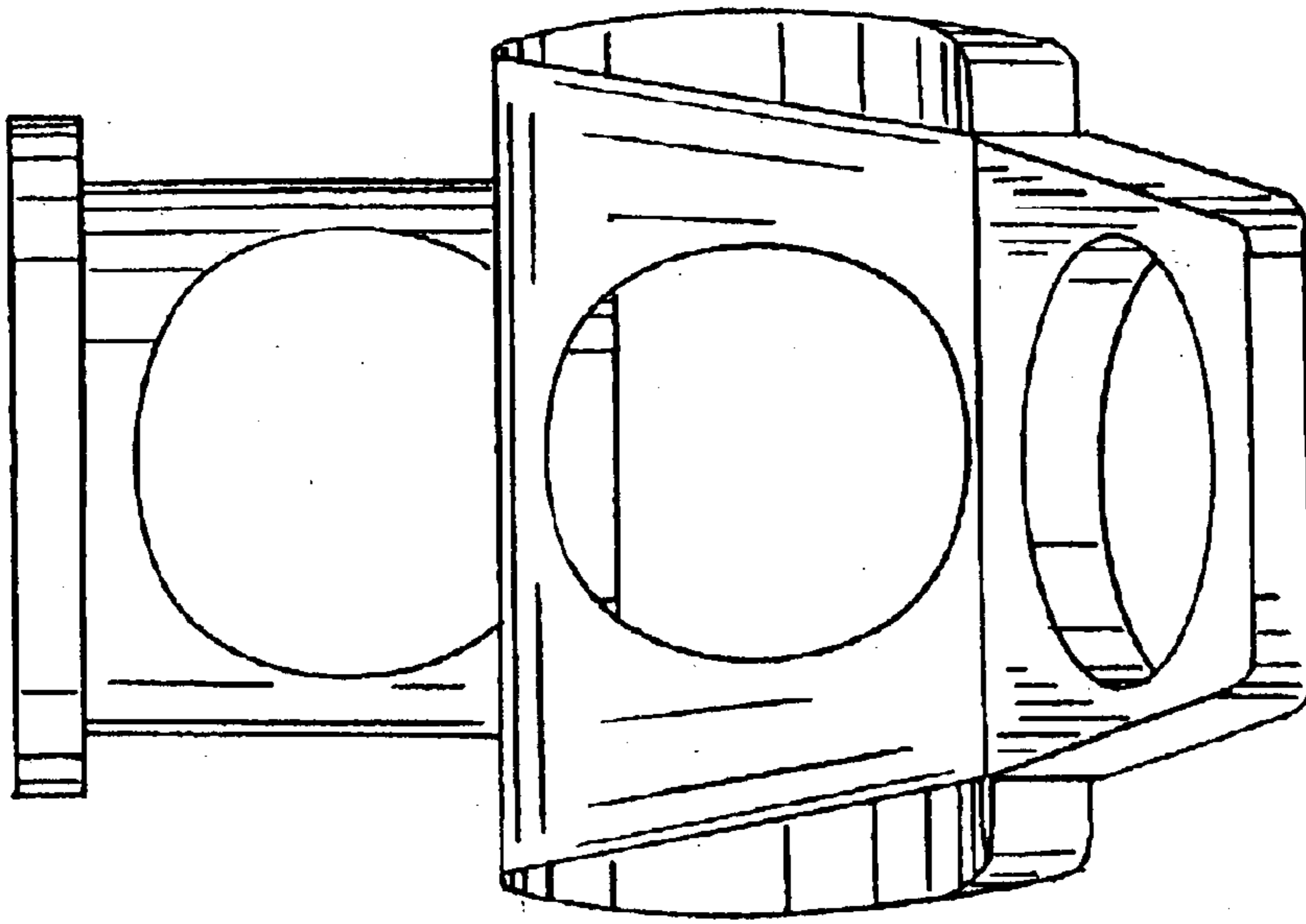


FIG. 3

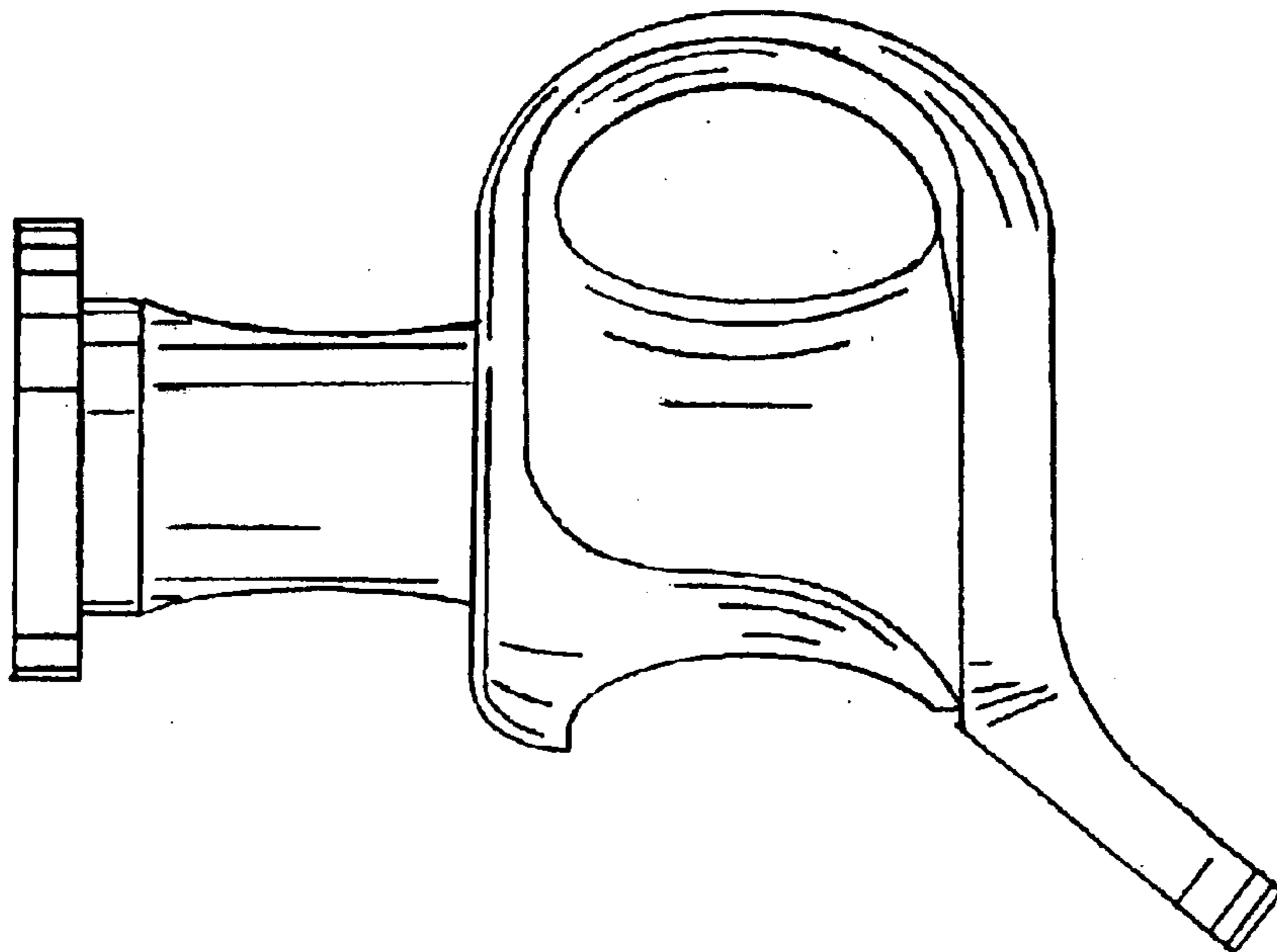


FIG. 2

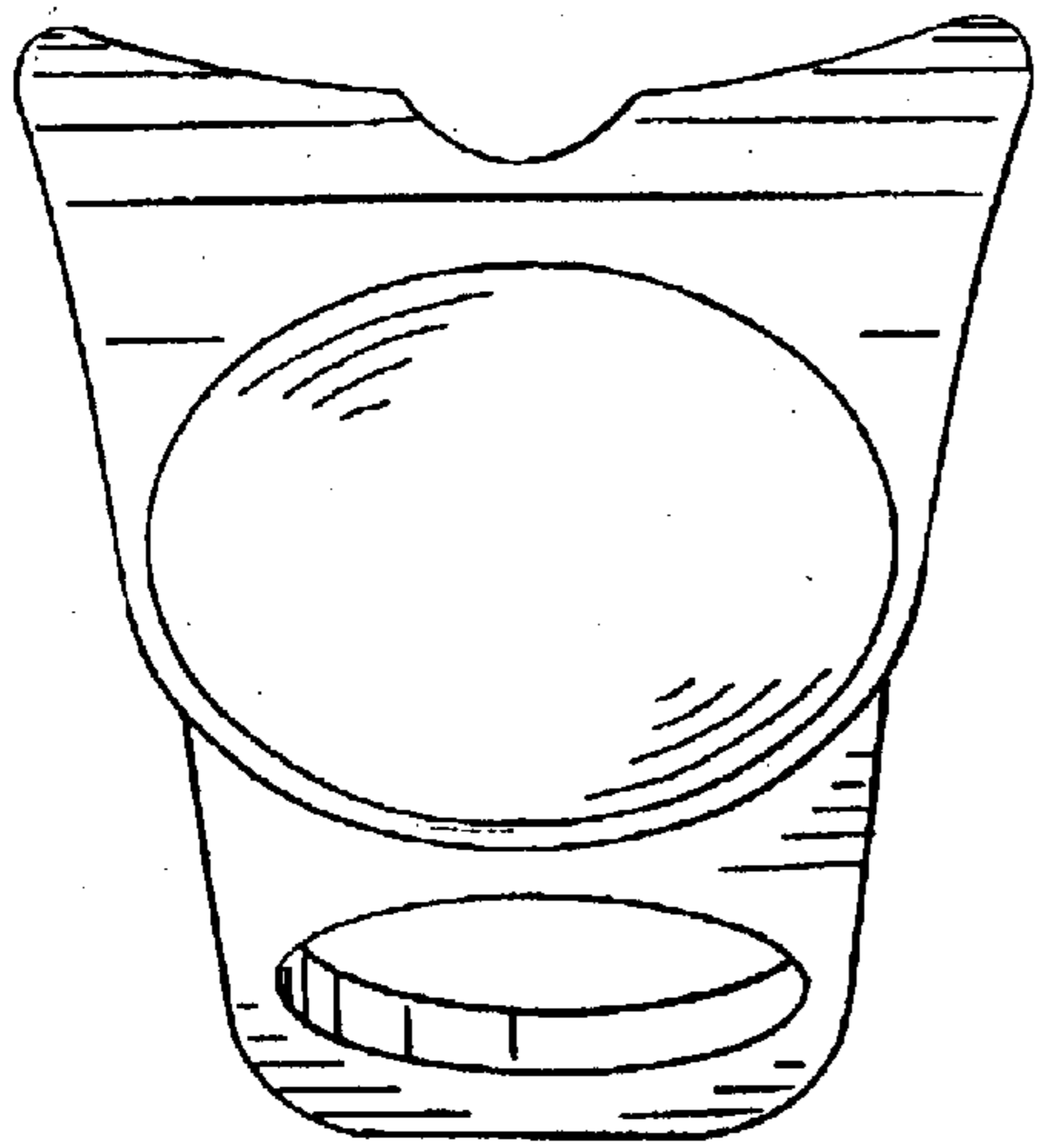


FIG. 4

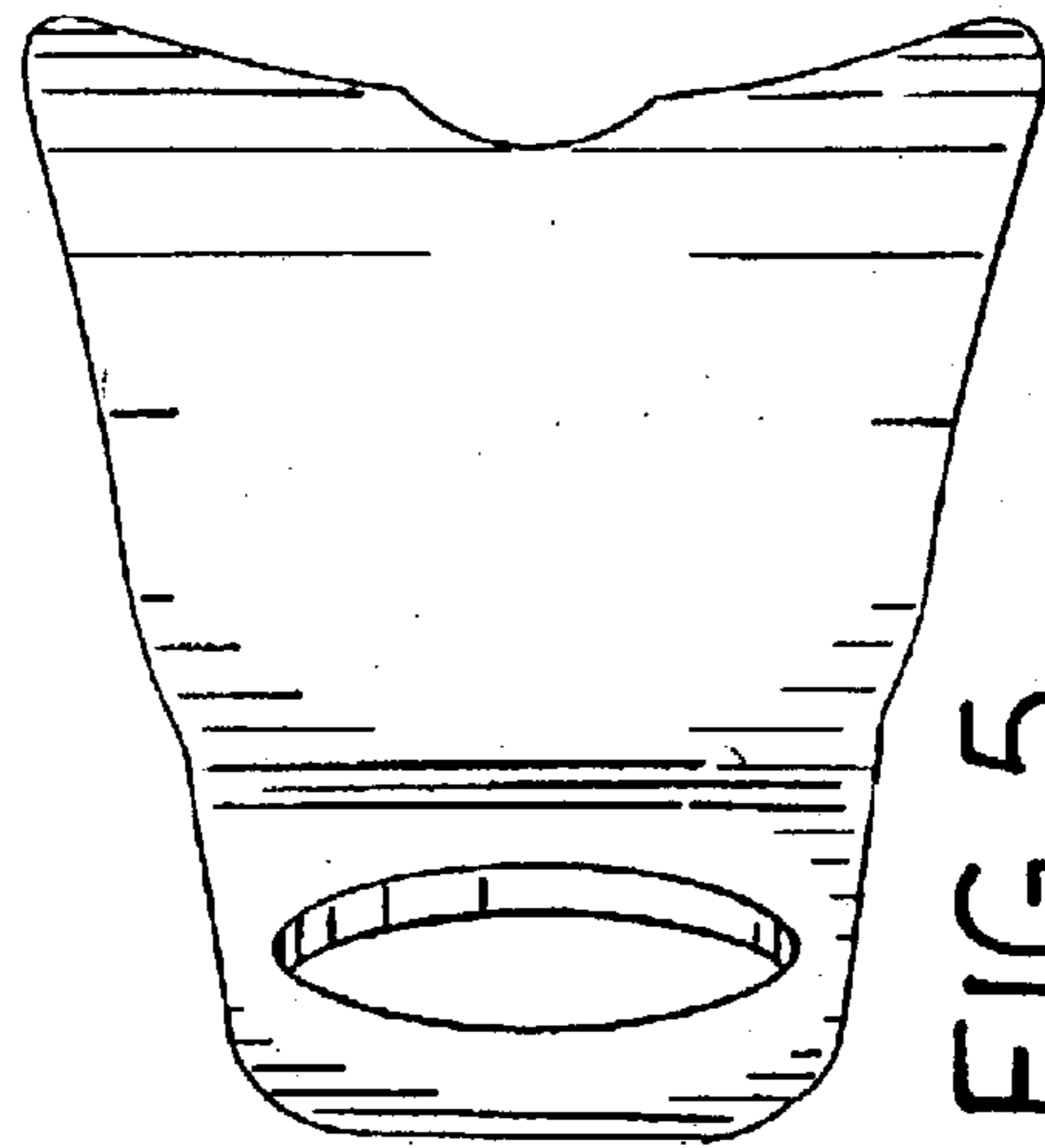


FIG. 5

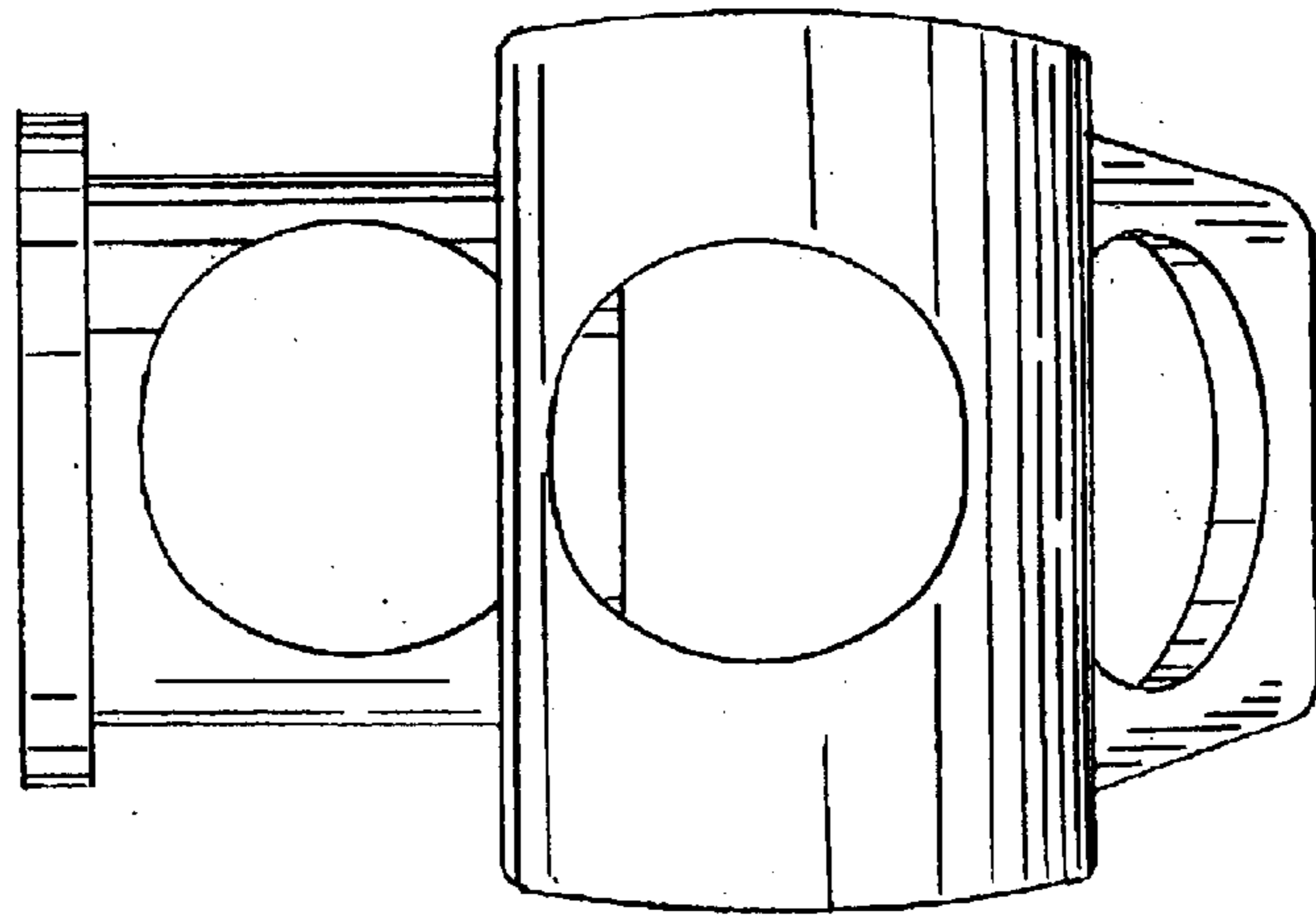


FIG. 6

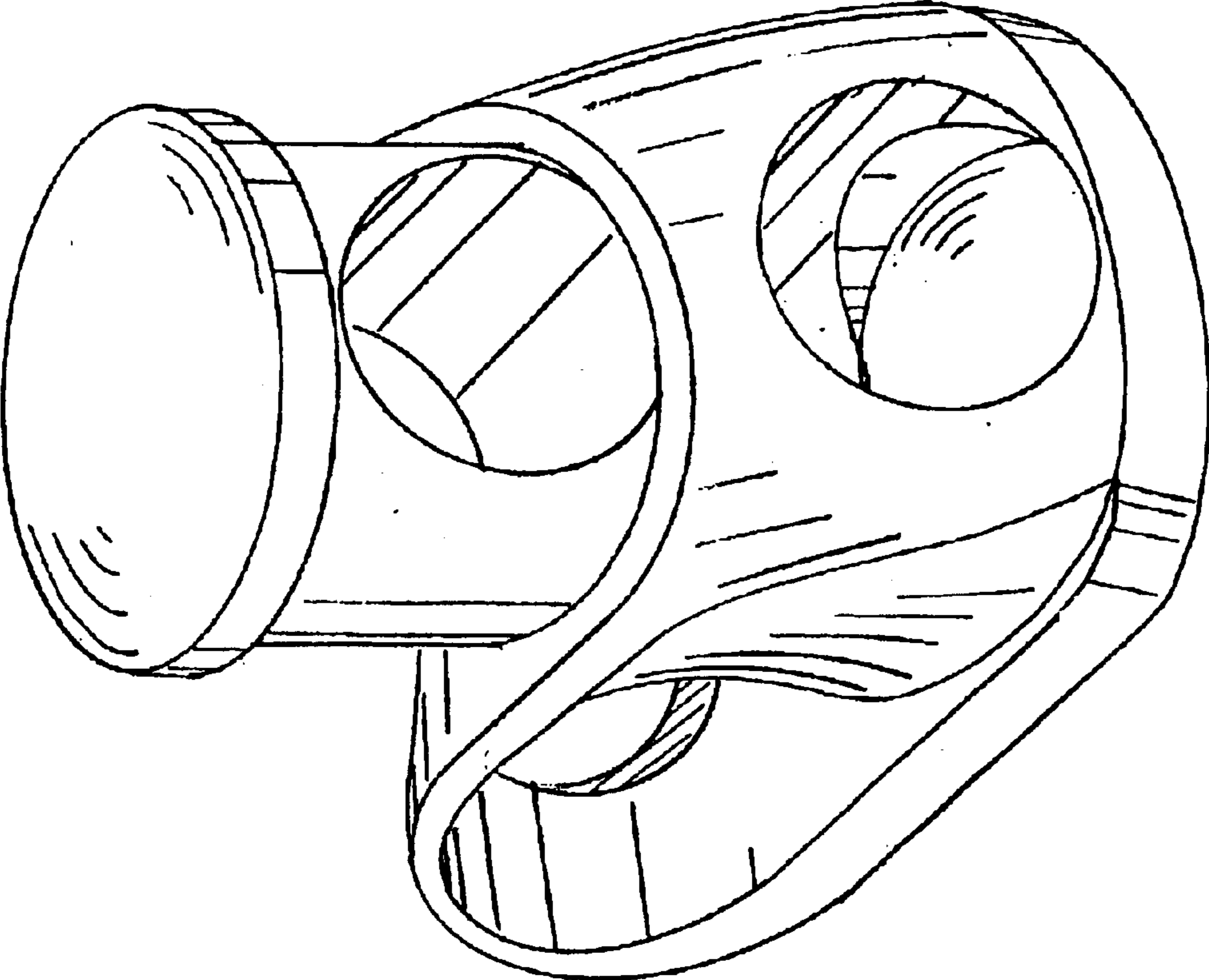


FIG. 7

FIG. 8

