



US00D507735S

(12) **United States Design Patent**
Benaron

(10) **Patent No.:** **US D507,735 S**

(45) **Date of Patent:** **** Jul. 26, 2005**

(54) **SHOWER CURTAIN ROD FINIAL**

(76) **Inventor:** **Richard A. Benaron**, 603 Ocean Ave.,
Apt. 4G, Santa Monica, CA (US) 90402

(**) **Term:** **14 Years**

(21) **Appl. No.:** **29/179,023**

(22) **Filed:** **Apr. 2, 2003**

(51) **LOC (8) Cl.** **08-05**

(52) **U.S. Cl.** **D8/367**

(58) **Field of Search** D8/373, 367, 378,
D8/376; D6/323; 248/301, 304, 214-215;
211/105.1-105.5

(56) **References Cited**

U.S. PATENT DOCUMENTS

2,250,831 A *	7/1941	Harrison	248/304
3,433,449 A *	3/1969	Musante	248/497
4,449,686 A *	5/1984	Kersey	248/215

* cited by examiner

Primary Examiner—Holly Baynham
(74) *Attorney, Agent, or Firm*—Lewis Anten

(57) **CLAIM**

The ornamental design for a shower curtain rod finial, as shown.

DESCRIPTION

FIG. 1 is a front view of the shower curtain rod finial showing my new design.

FIG. 2 is a left side view of the shower curtain rod finial of FIG. 1, the right side view being identical thereof.

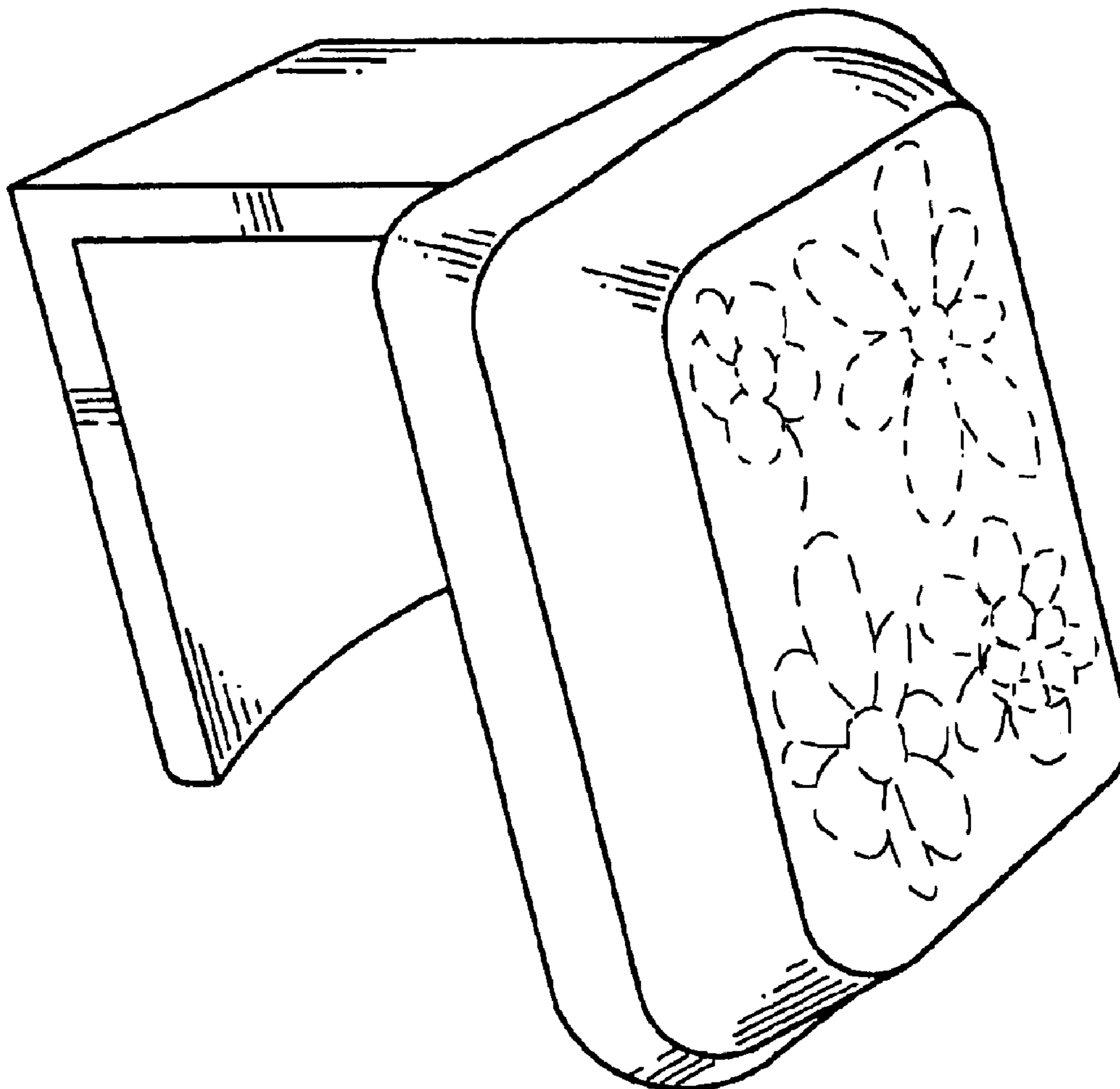
FIG. 3 is a top view of the shower curtain rod finial of FIG. 1.

FIG. 4 is a bottom view of the shower curtain rod finial of FIG. 1; and,

FIG. 5 is a top left perspective view of the shower curtain rod finial of FIG. 1.

The broken lines showing of decoration in FIGS. 1 and 5 are for illustrative purposes only and form no part of the claimed design.

1 Claim, 3 Drawing Sheets



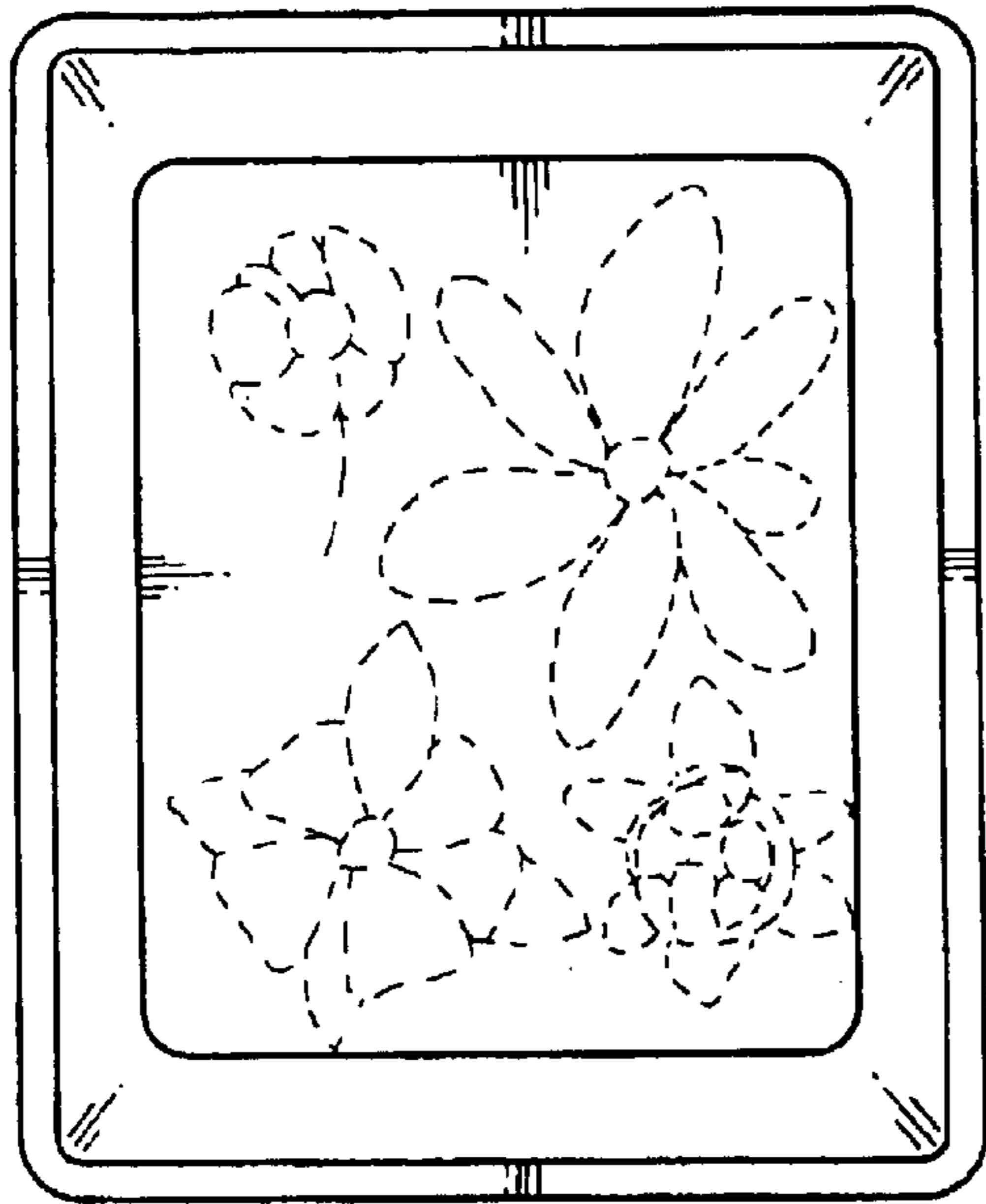


FIG. 1

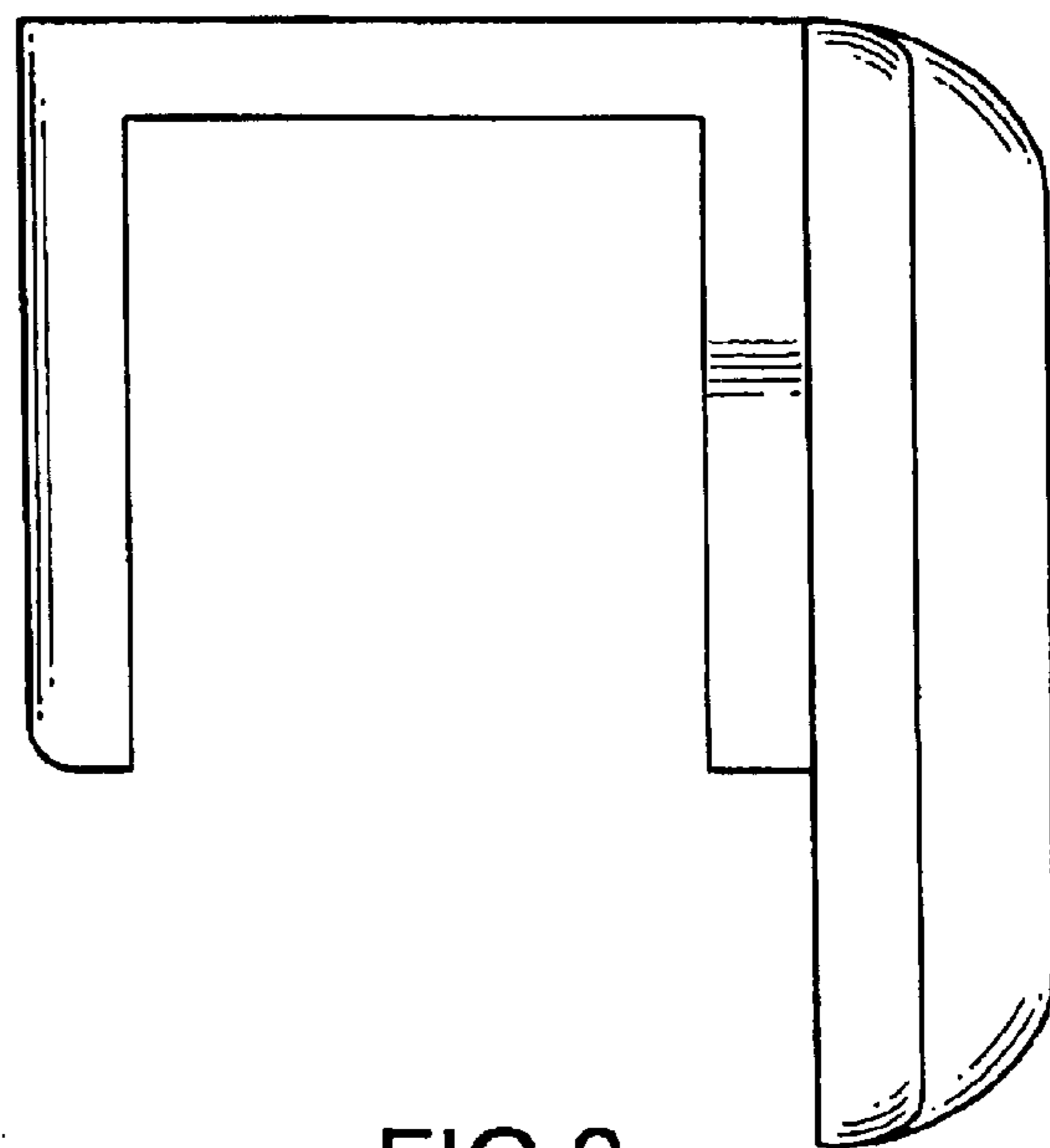


FIG. 2

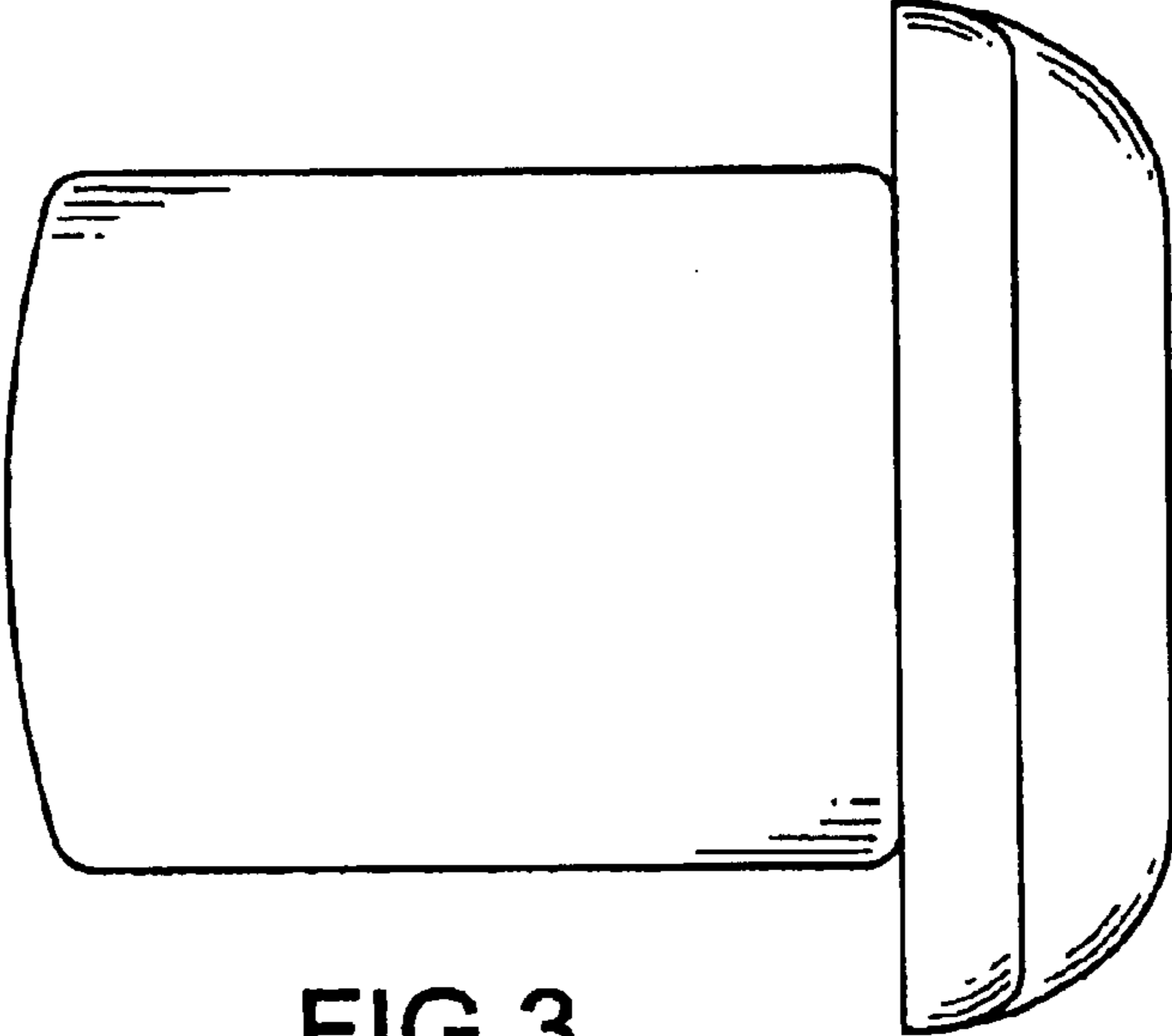


FIG.3

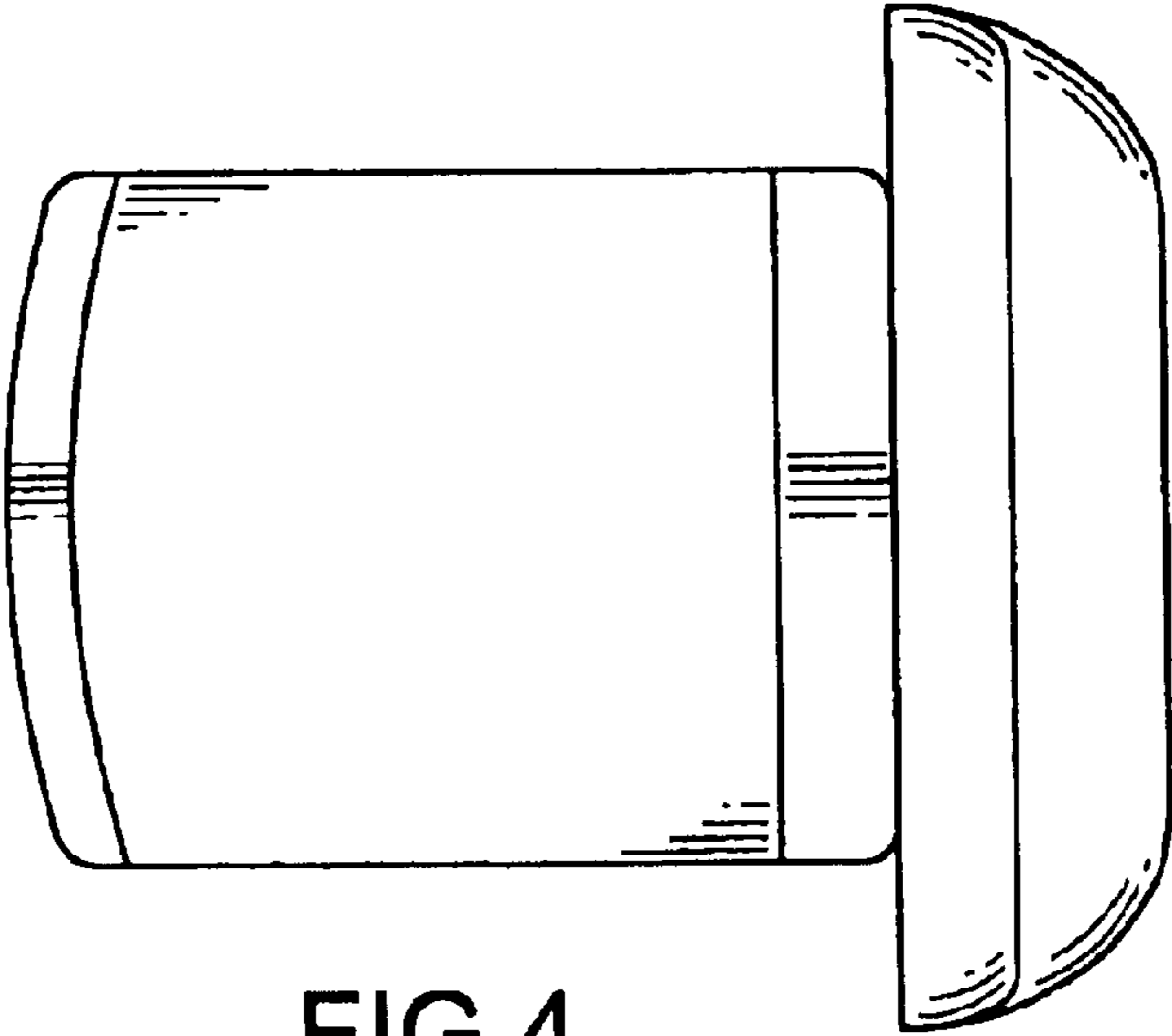


FIG.4

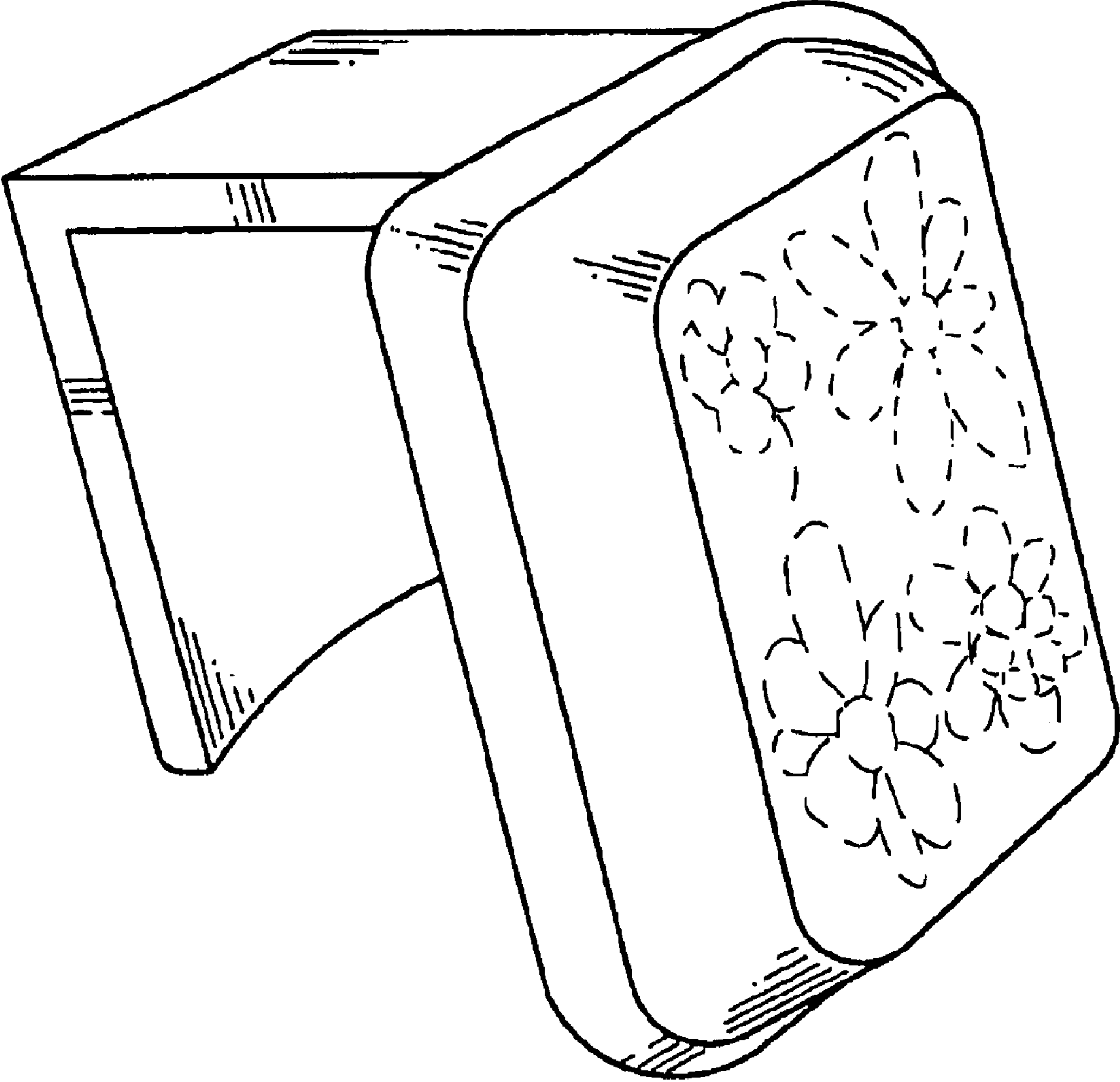


FIG.5