

US00D507732S

(12) **United States Design Patent** (10) **Patent No.:** **US D507,732 S**
Nowak et al. (45) **Date of Patent:** **** Jul. 26, 2005**

(54) **IMPACT WRENCH**
(75) Inventors: **Dennis A. Nowak**, Franklin, WI (US);
Joshua M. Beer, Racine, WI (US);
Raymond E. Kinsley, Racine, WI
(US); **Daniel S. Pusateri**, Grayslake, IL
(US); **James R. Brehm**, Racine, WI
(US); **John A. Pierman**, Kenosha, WI
(US)
(73) Assignee: **Snap-on Incorporated**, Pleasant
Prairie, WI (US)
(**) Term: **14 Years**
(21) Appl. No.: **29/210,962**
(22) Filed: **Aug. 9, 2004**
(51) **LOC (8) Cl.** **08-05**
(52) **U.S. Cl.** **D8/68**
(58) **Field of Search** D8/14.1, 61, 62,
D8/63, 64, 65, 66, 67, 68, 69, 70; 81/57.11,
429, 464, 465, 466, 469, 489; 173/13, 169,
178, 213, 217; 227/8, 114, 120, 130, 136,
142; 310/50; 408/20, 124, 125, 234, 241 R;
451/358

(56) **References Cited**

U.S. PATENT DOCUMENTS

3,037,740 A * 6/1962 Sheps et al. 173/169
D205,091 S * 6/1966 Averitt D8/68
3,354,732 A * 11/1967 Wickham 173/169
D223,134 S * 3/1972 Bunyea D8/68
D256,980 S 9/1980 Adams et al.
D288,769 S 3/1987 Doman
D288,770 S 3/1987 Doman
D294,001 S * 2/1988 Greenlee et al. D8/68
D296,412 S 6/1988 Nelson et al.
D299,411 S 1/1989 Porcaro
D324,802 S 3/1992 Caskey et al.
D382,457 S 8/1997 Ghode et al.
D410,830 S 6/1999 Pusateri et al.
6,027,099 A 2/2000 Pusateri

6,062,323 A 5/2000 Pusateri et al.
6,082,468 A 7/2000 Pusateri et al.
D434,298 S * 11/2000 Izumisawa D8/68
D434,958 S * 12/2000 Izumisawa D8/68
6,158,459 A * 12/2000 Chang 81/489
D436,818 S * 1/2001 Izumisawa D8/68
D437,760 S * 2/2001 Izumisawa D8/68
6,199,383 B1 3/2001 Pusateri
D441,628 S * 5/2001 Bass et al. D8/68
6,338,389 B1 * 1/2002 Chang 173/169
D458,824 S * 6/2002 Chen D8/68
D459,179 S * 6/2002 Morgan D8/68
D465,982 S * 11/2002 Taga D8/68
D469,673 S * 2/2003 Sliker et al. D8/68
D472,782 S 4/2003 Pusateri et al.
D476,544 S 7/2003 Ghode et al.
D477,512 S * 7/2003 Liu et al. D8/68
D487,219 S 3/2004 Chudy et al.
D493,085 S * 7/2004 Copeland et al. D8/68
2002/0152848 A1 * 10/2002 Johnson 81/465
2003/0010513 A1 * 1/2003 Taga 173/169
2003/0010514 A1 * 1/2003 Taga 173/213

* cited by examiner

Primary Examiner—Gary D. Watson
Assistant Examiner—T. Chase Nelson
(74) *Attorney, Agent, or Firm*—Barnes & Thornburg LLP

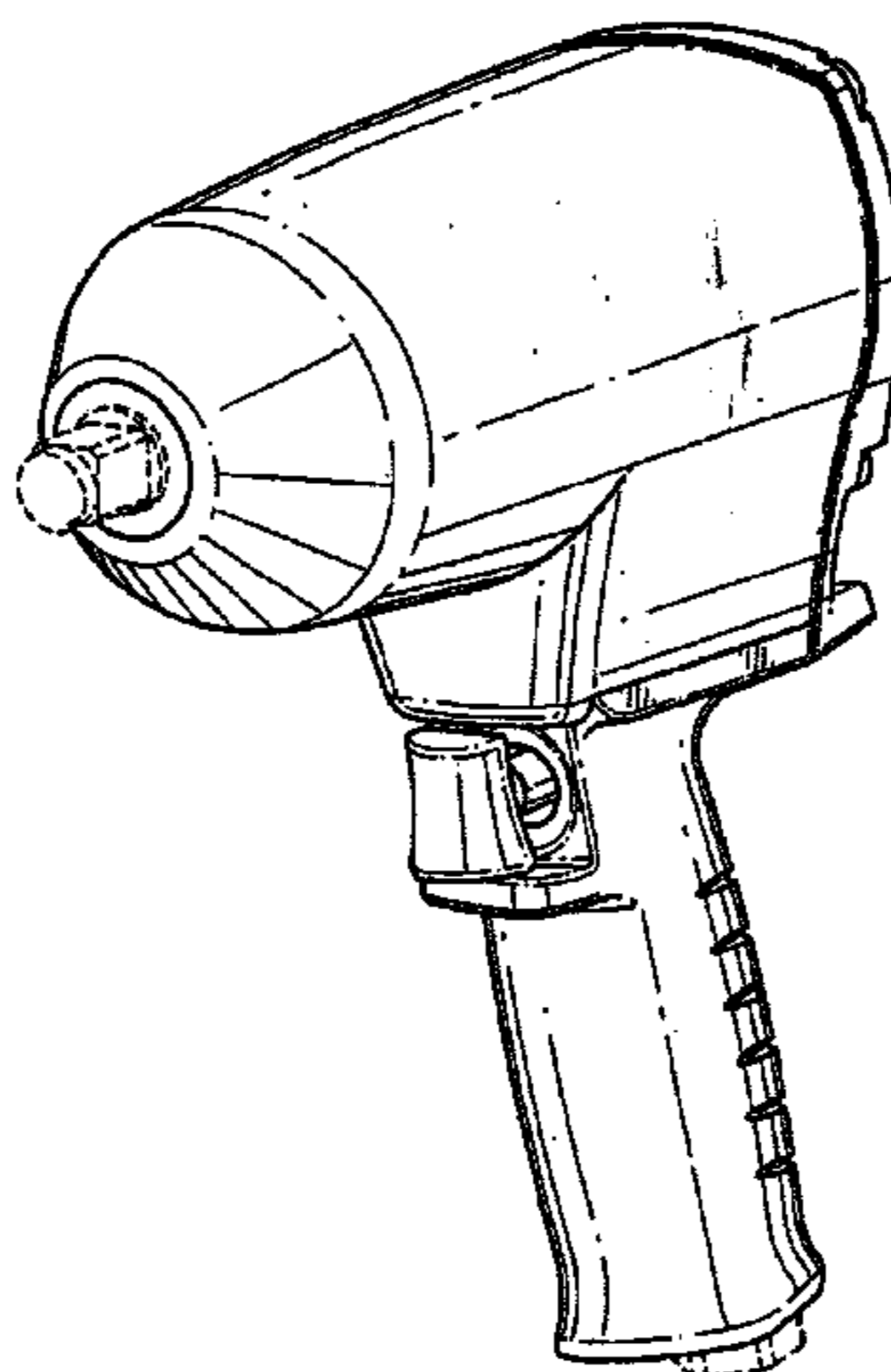
(57) **CLAIM**

The ornamental design for an impact wrench, as shown and described.

DESCRIPTION

FIG. 1 is a front perspective view of the impact wrench; FIG. 2 is a right side view thereof, the left side view is not shown as it is a mirror image of the right side view; and FIG. 3 is a top plan view thereof; FIG. 4 is a bottom plan view thereof; FIG. 5 is a front elevational view thereof; and, FIG. 6 is a rear elevational view thereof. The broken lines are shown in the views for illustrative purposes only and form no part of the claimed design.

1 Claim, 4 Drawing Sheets



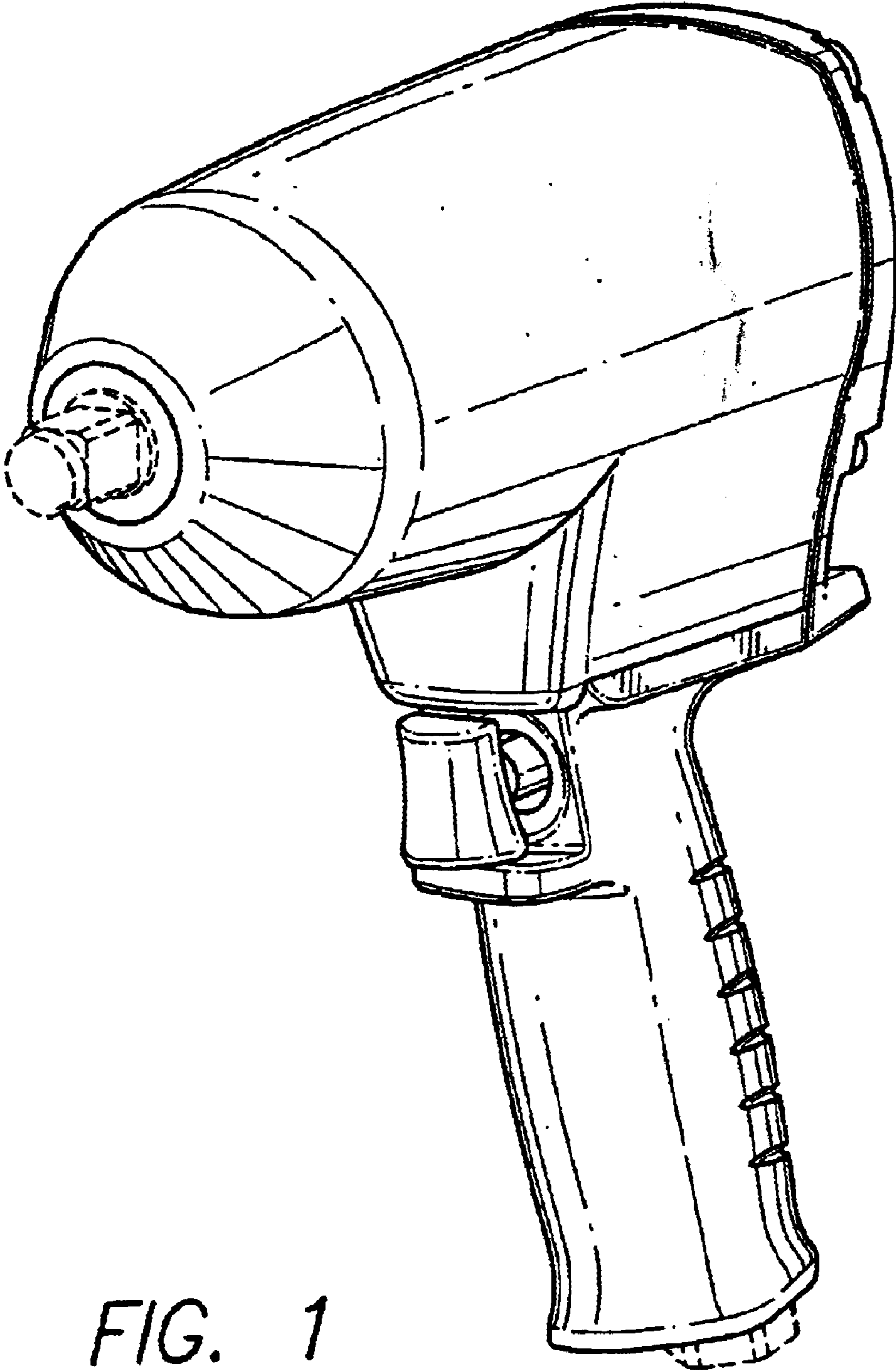


FIG. 1

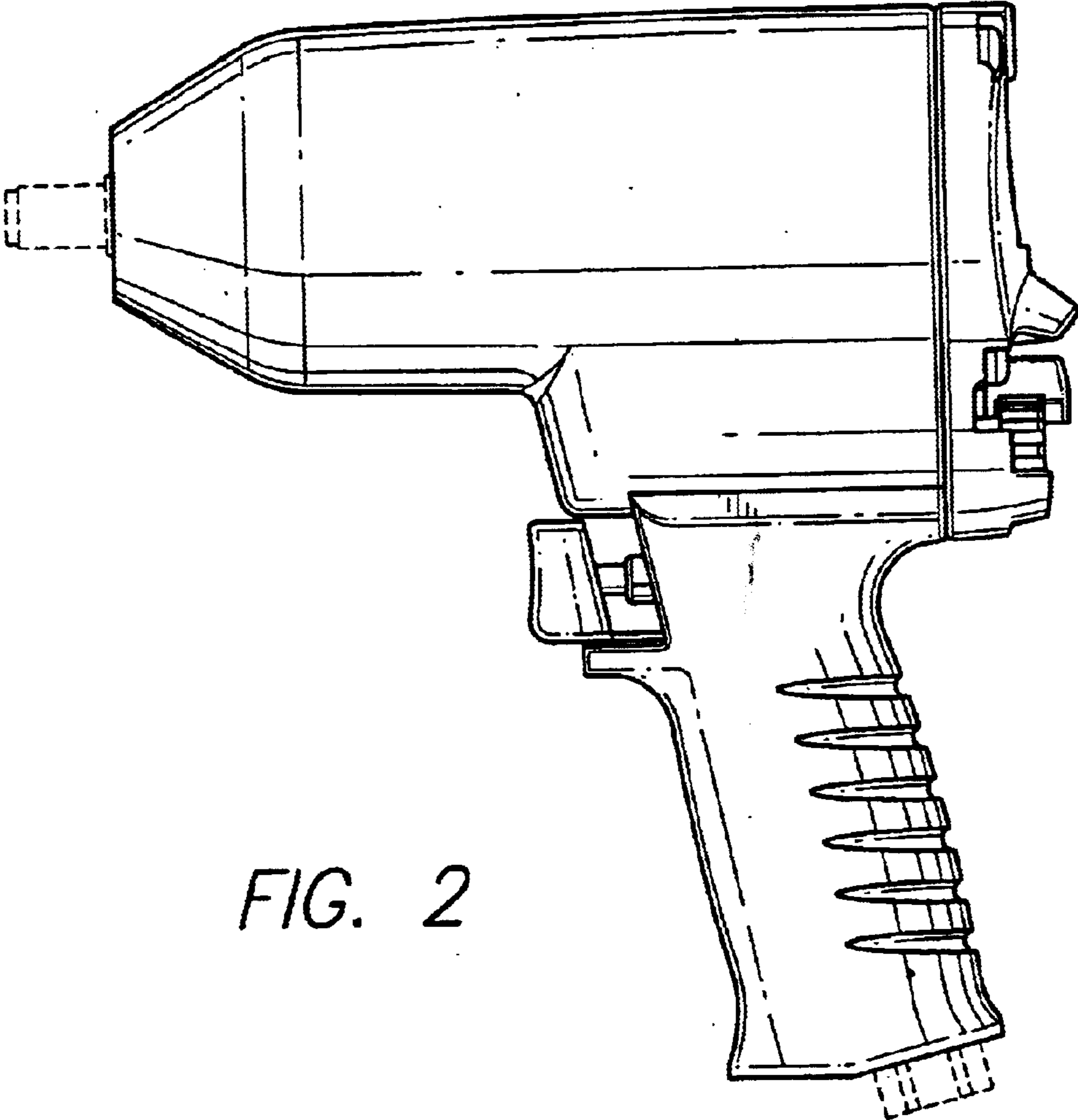


FIG. 2

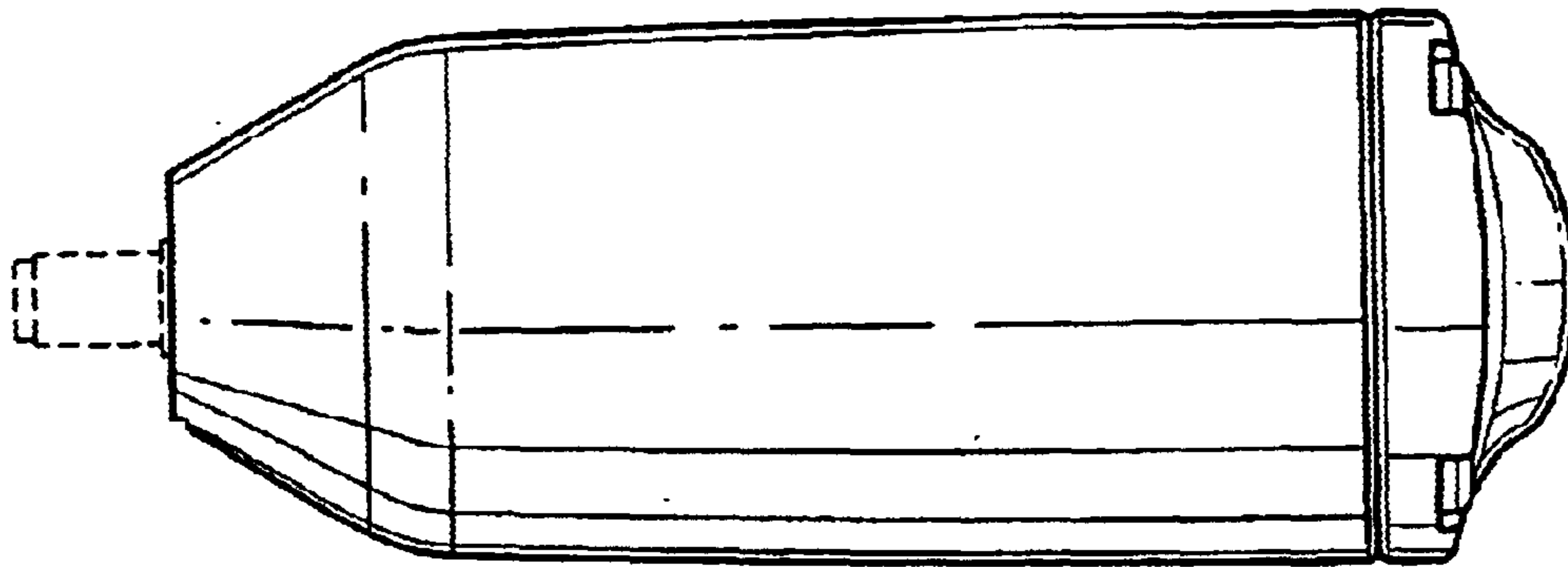


FIG. 3

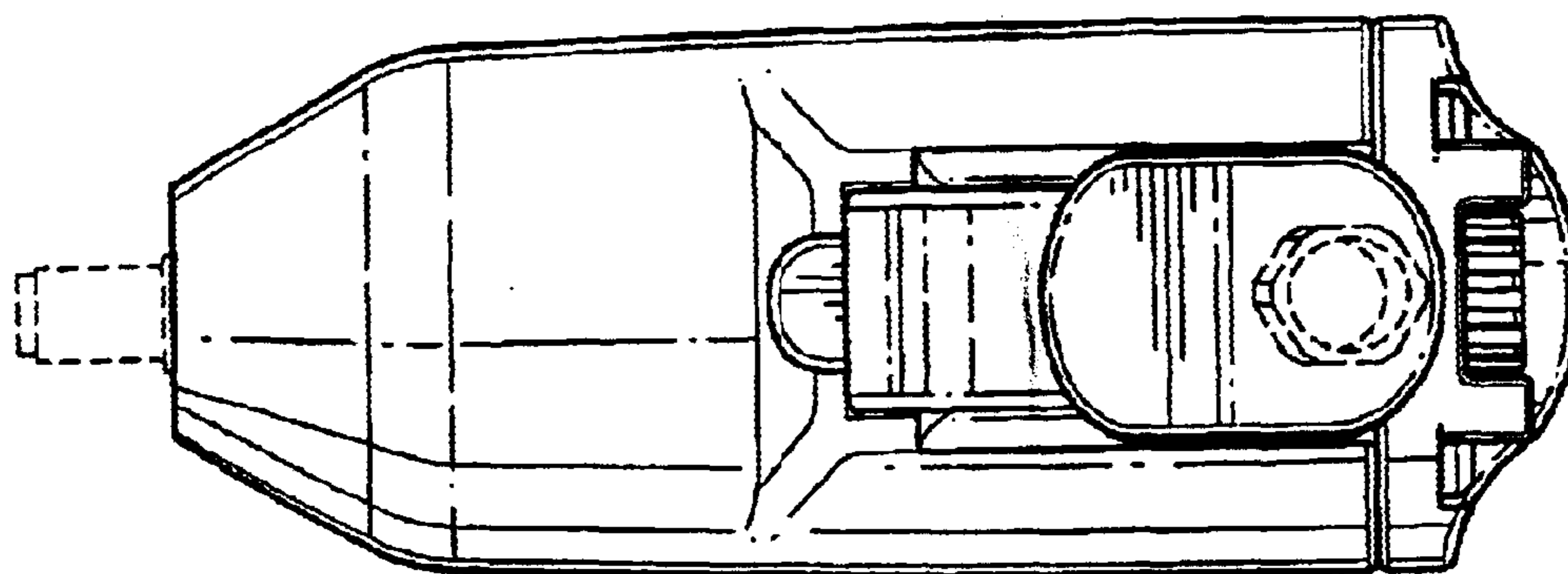


FIG. 4

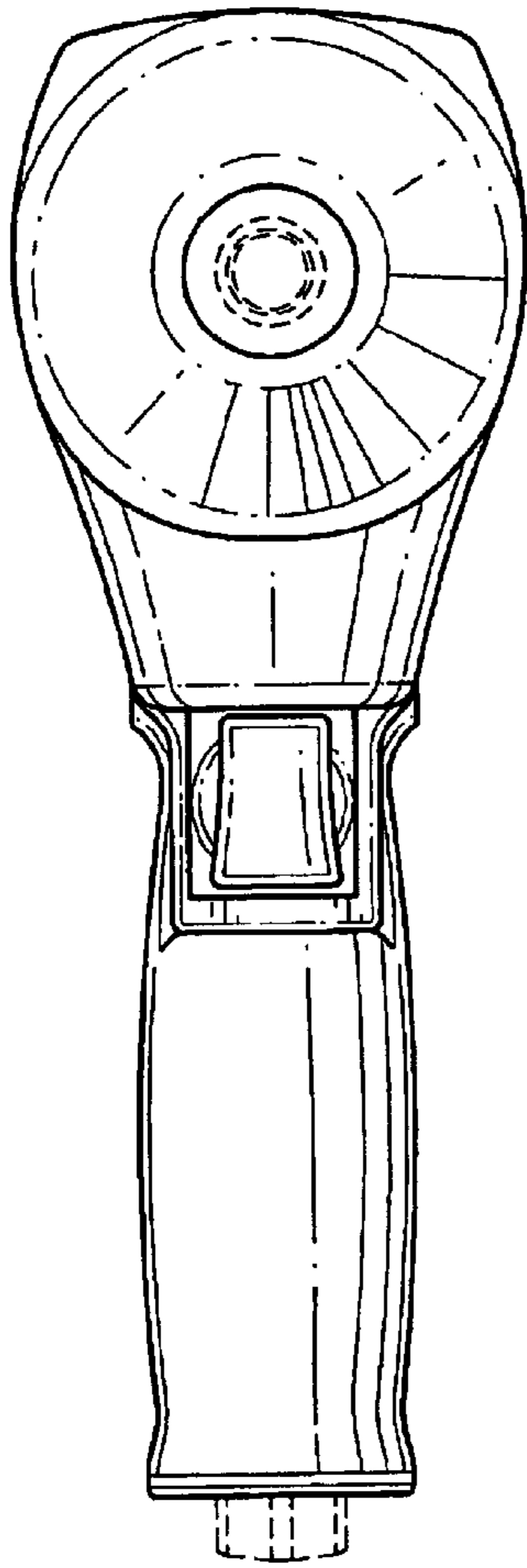


FIG. 5

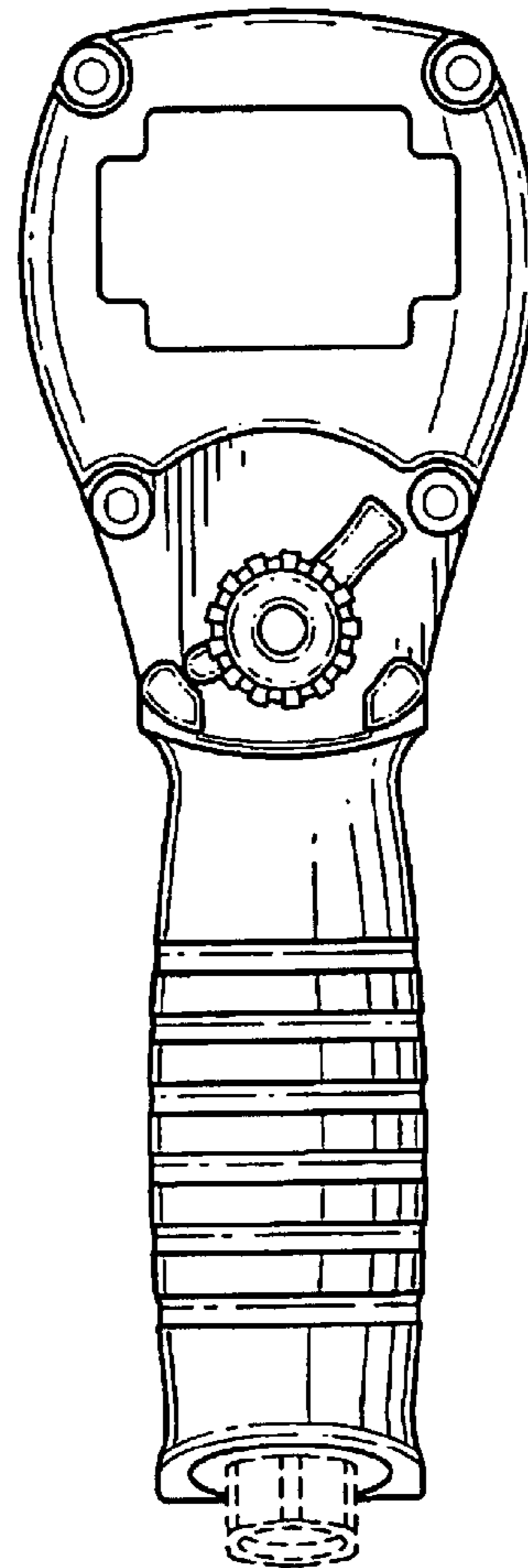


FIG. 6