

US00D507730S

(12) **United States Design Patent**  
**Oles et al.**

(10) **Patent No.:** **US D507,730 S**  
(45) **Date of Patent:** **\*\* Jul. 26, 2005**

(54) **ROTARY TOOL**

(75) Inventors: **Allen M. Oles**, Chicago, IL (US);  
**Michael E. Landt**, Chicago, IL (US);  
**Walter M. Bernardi**, Highland Park, IL  
(US); **John Van Akkeren**, Chicago, IL  
(US); **Todd Zeilinger**, Chicago, IL  
(US); **Bryan E. Rolfs**, Chicago, IL  
(US)

(73) Assignee: **Credo Technology Corporation**,  
Broadview, IL (US)

(\*\*) Term: **14 Years**

(21) Appl. No.: **29/210,514**

(22) Filed: **Jul. 30, 2004**

(51) **LOC (8) Cl.** ..... **08-05**

(52) **U.S. Cl.** ..... **D8/61**

(58) **Field of Search** ..... D8/61, 62, 70;  
81/54, 57.11, 57.13, 57.14, 57.29, 57.39,  
177.1, 429, 469; 173/168, 169, 170, 182,  
216, 217, 221; 310/47, 50

(56) **References Cited**

**U.S. PATENT DOCUMENTS**

3,352,368 A	*	11/1967	Maffey, Jr.	173/169
D325,857 S	*	5/1992	Hasegawa et al.	D8/61
D378,727 S	*	4/1997	Kikuchi	D8/61
D404,626 S	*	1/1999	Hall et al.	D8/68
D412,273 S	*	7/1999	Chung	D8/62
D414,668 S	*	10/1999	Duennes et al.	D8/68
D427,038 S	*	6/2000	Lin	D8/61
D437,758 S	*	2/2001	Heun	D8/61
D443,491 S	*	6/2001	Robson	D8/61

D446,431 S	*	8/2001	Lui	D8/61
D446,432 S	*	8/2001	Heun	D8/61
D486,713 S	*	2/2004	Lai	D8/68

\* cited by examiner

*Primary Examiner*—Joel A. Sincavage  
*Assistant Examiner*—Elizabeth Albert  
(74) *Attorney, Agent, or Firm*—Victor A. Henzi

(57) **CLAIM**

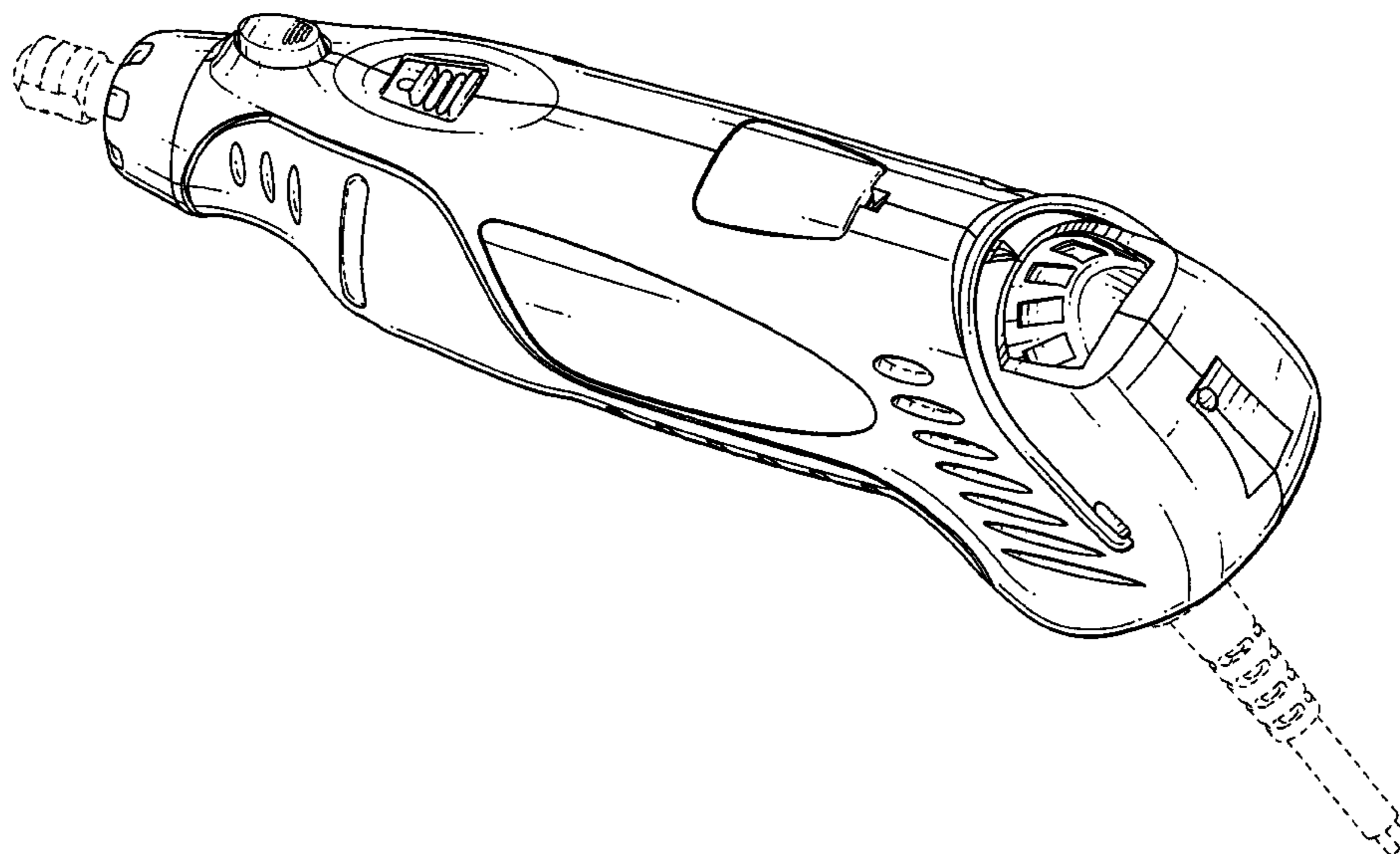
The ornamental design for a rotary tool, as shown and described.

**DESCRIPTION**

FIG. 1 is a rear left perspective view of a first embodiment of the present new design for a rotary tool; FIG. 2 is a left elevational view thereof; FIG. 3 is a right elevational view thereof; FIG. 4 is a top plan view thereof; FIG. 5 is a bottom plan view thereof; FIG. 6 is a front elevational view thereof; FIG. 7 is a rear elevational view thereof; FIG. 8 is a rear left perspective view of a second embodiment of the present new design for a rotary tool; FIG. 9 is a left elevational view thereof; FIG. 10 is a right elevational view thereof; FIG. 11 is a top plan view thereof; FIG. 12 is a bottom plan view thereof; FIG. 13 is a front elevational view thereof; and, FIG. 14 is a rear elevational view thereof.

The broken lines showing various features of a rotary tool are for illustrative purposes only and form no part of the claimed design.

**1 Claim, 12 Drawing Sheets**



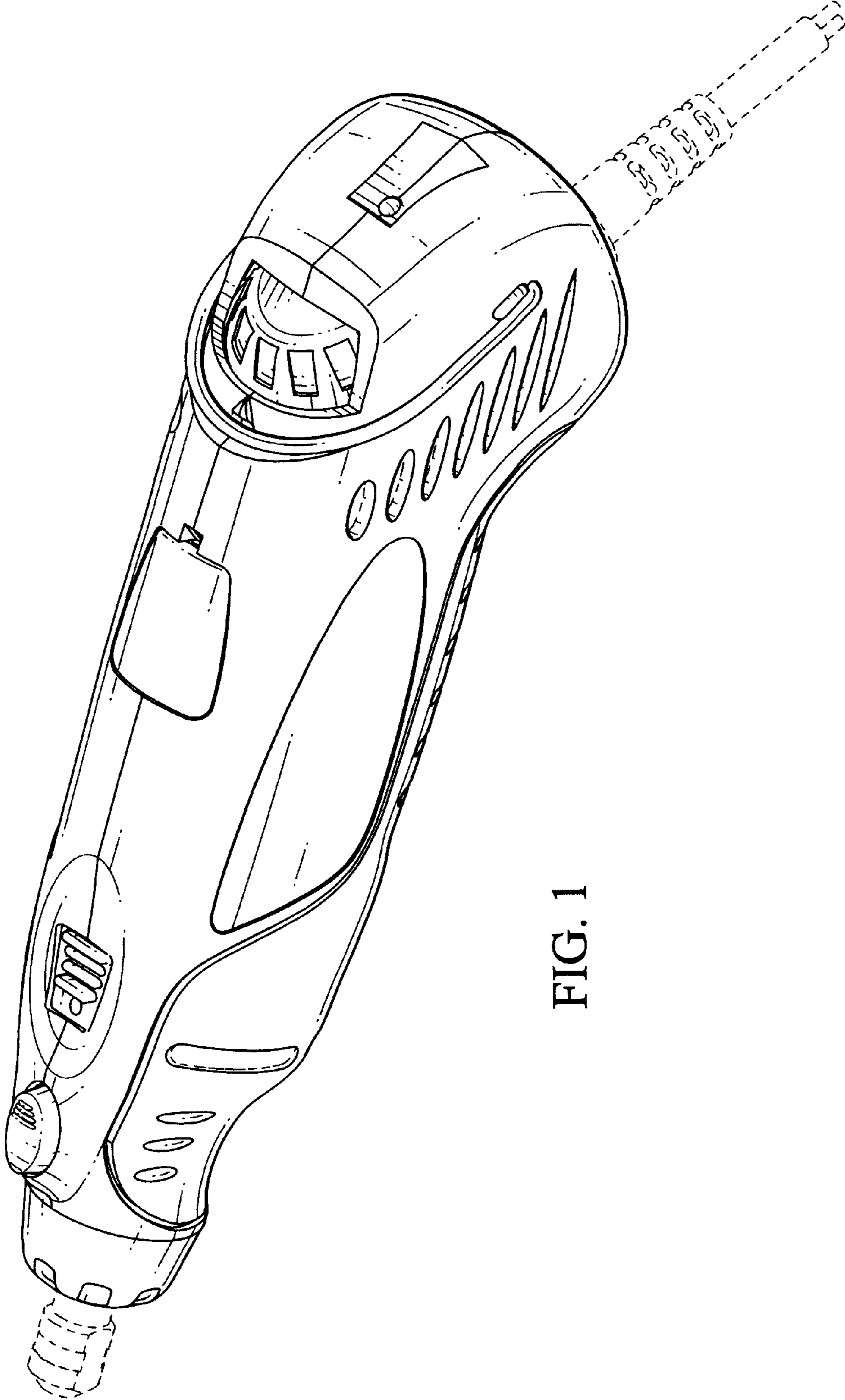
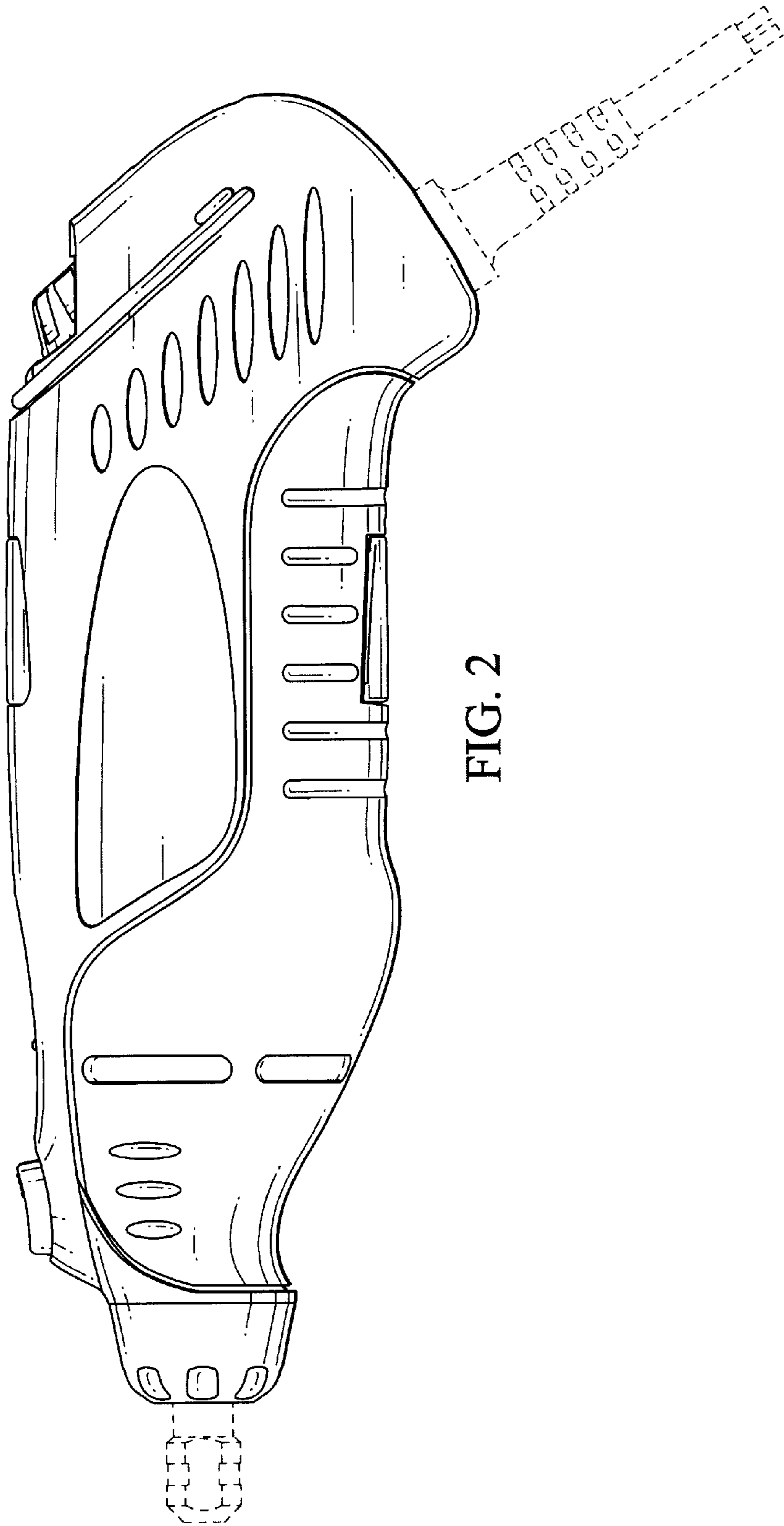


FIG. 1



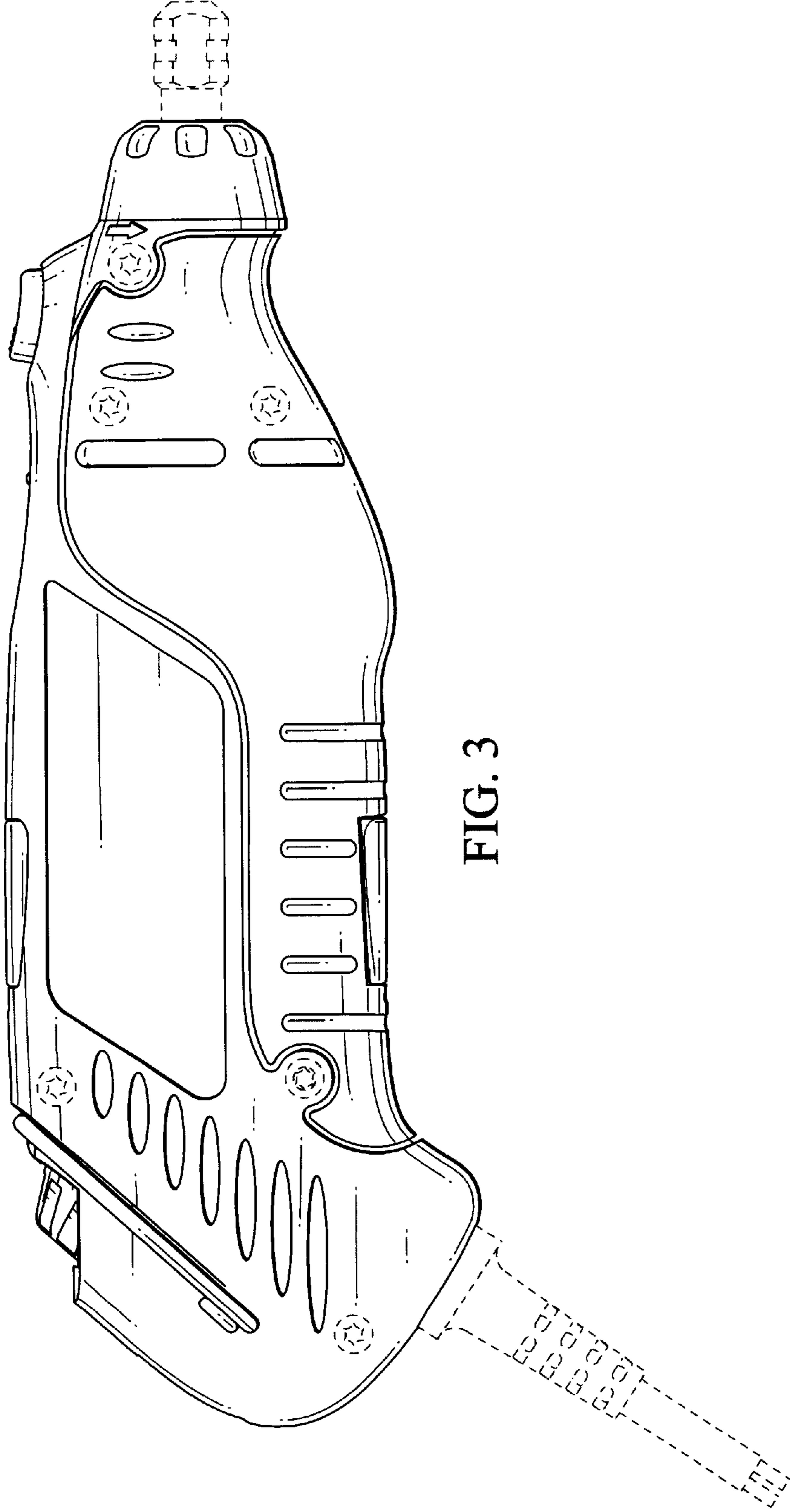


FIG. 3

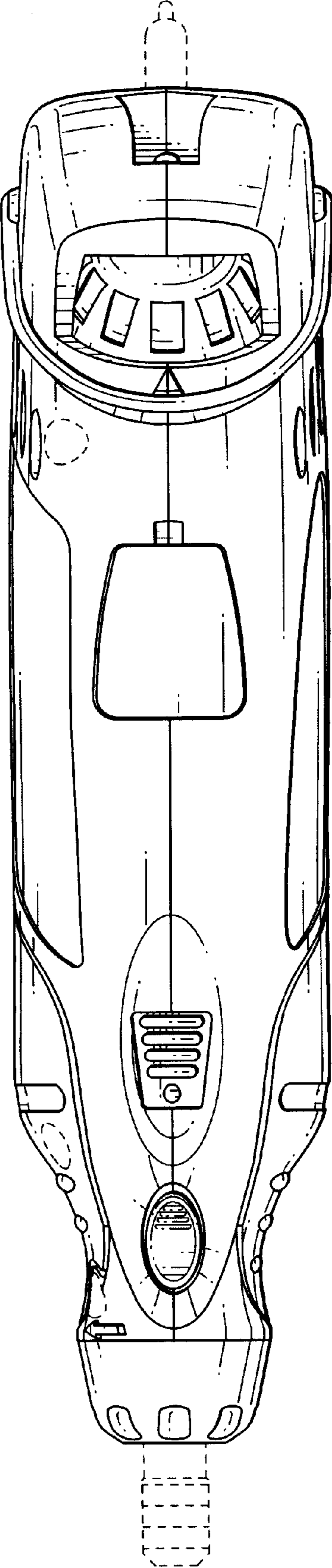


FIG. 4



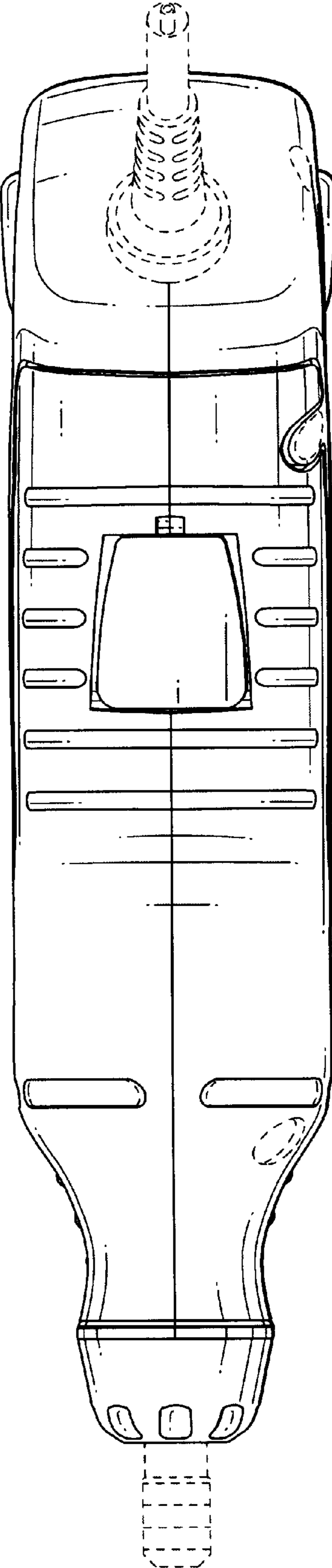


FIG. 5

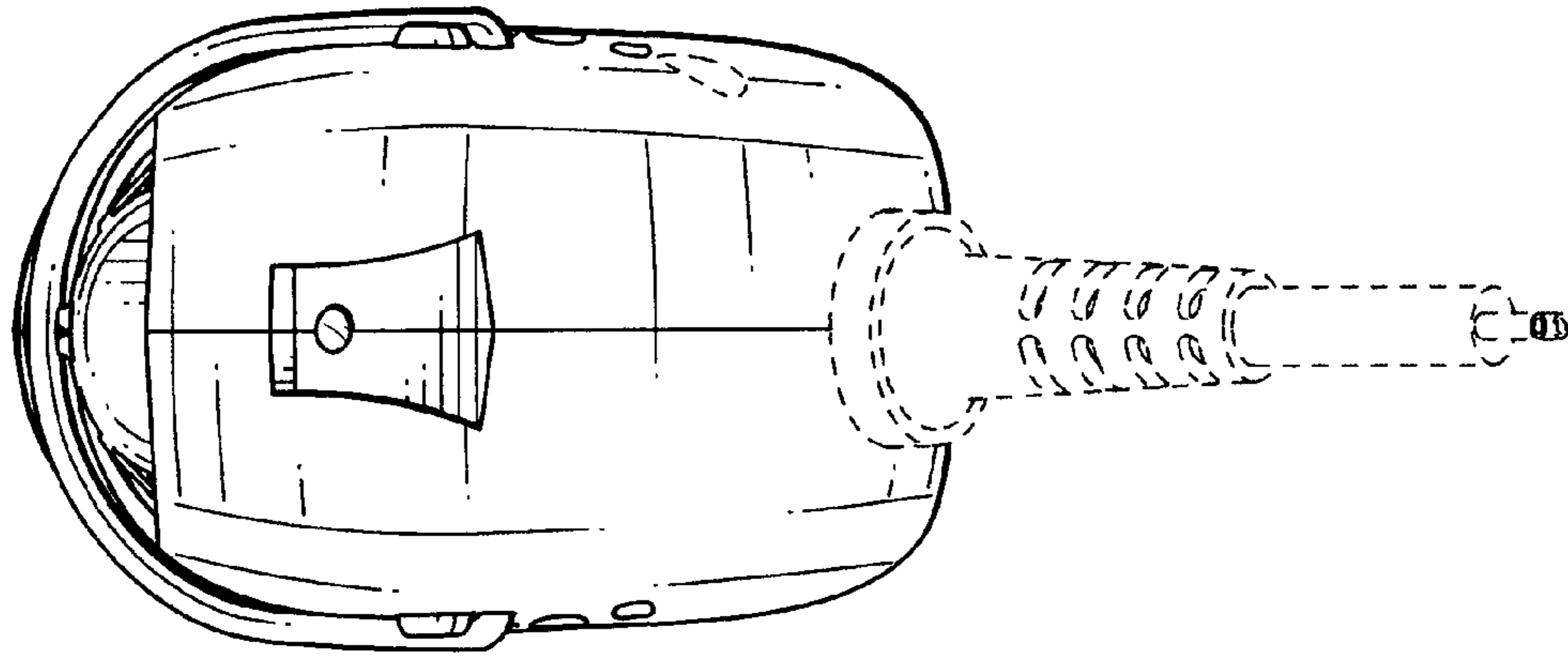


FIG. 7

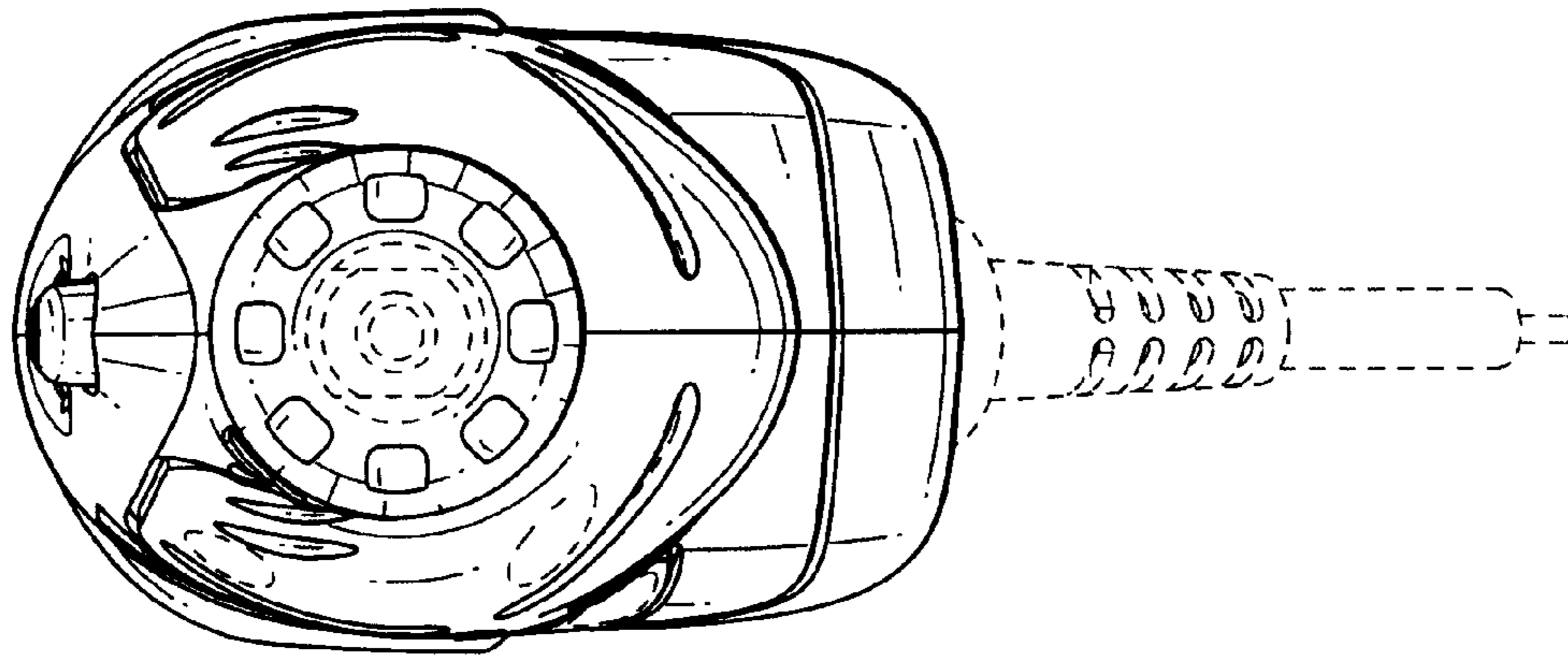


FIG. 6

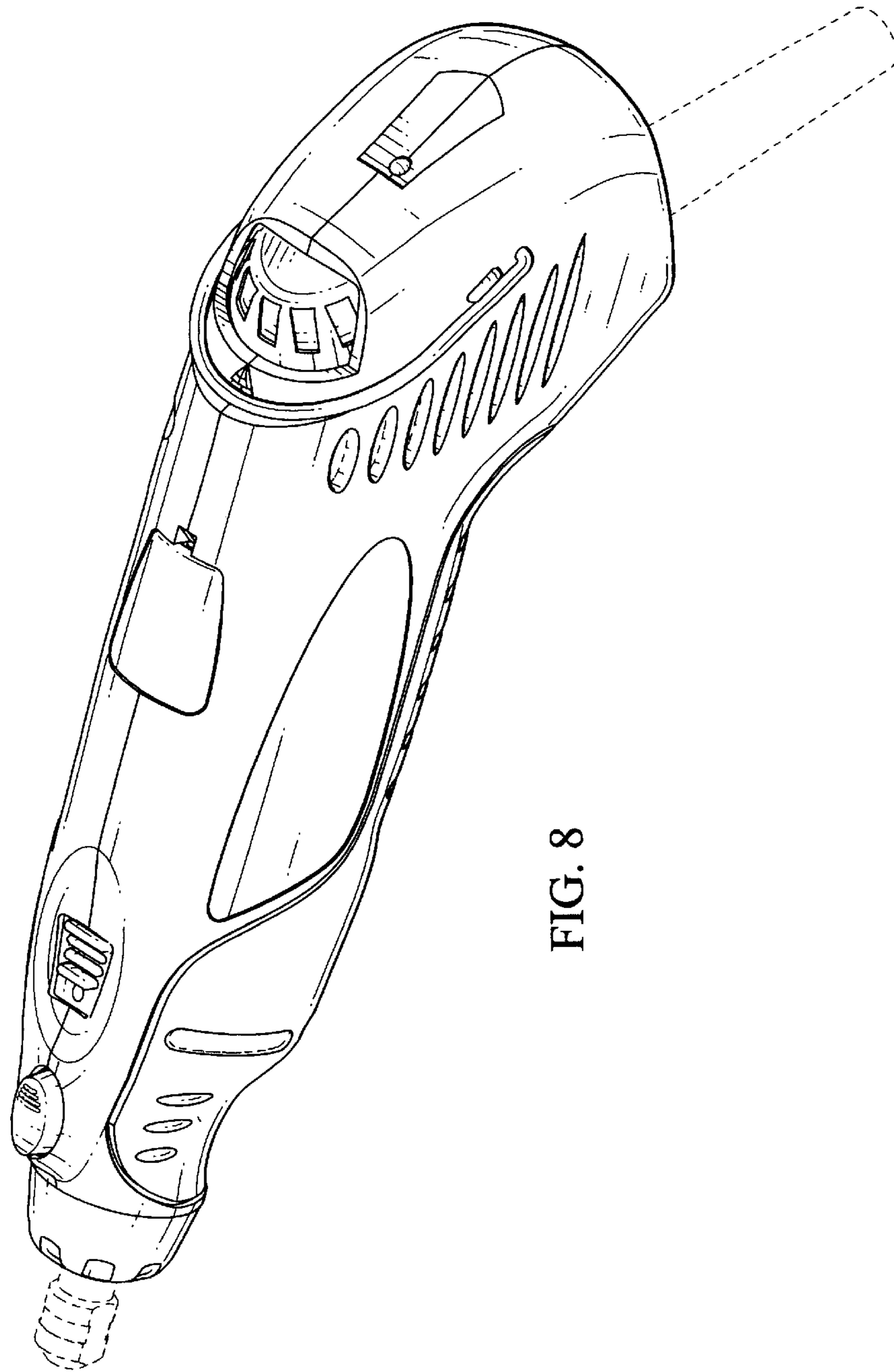


FIG. 8



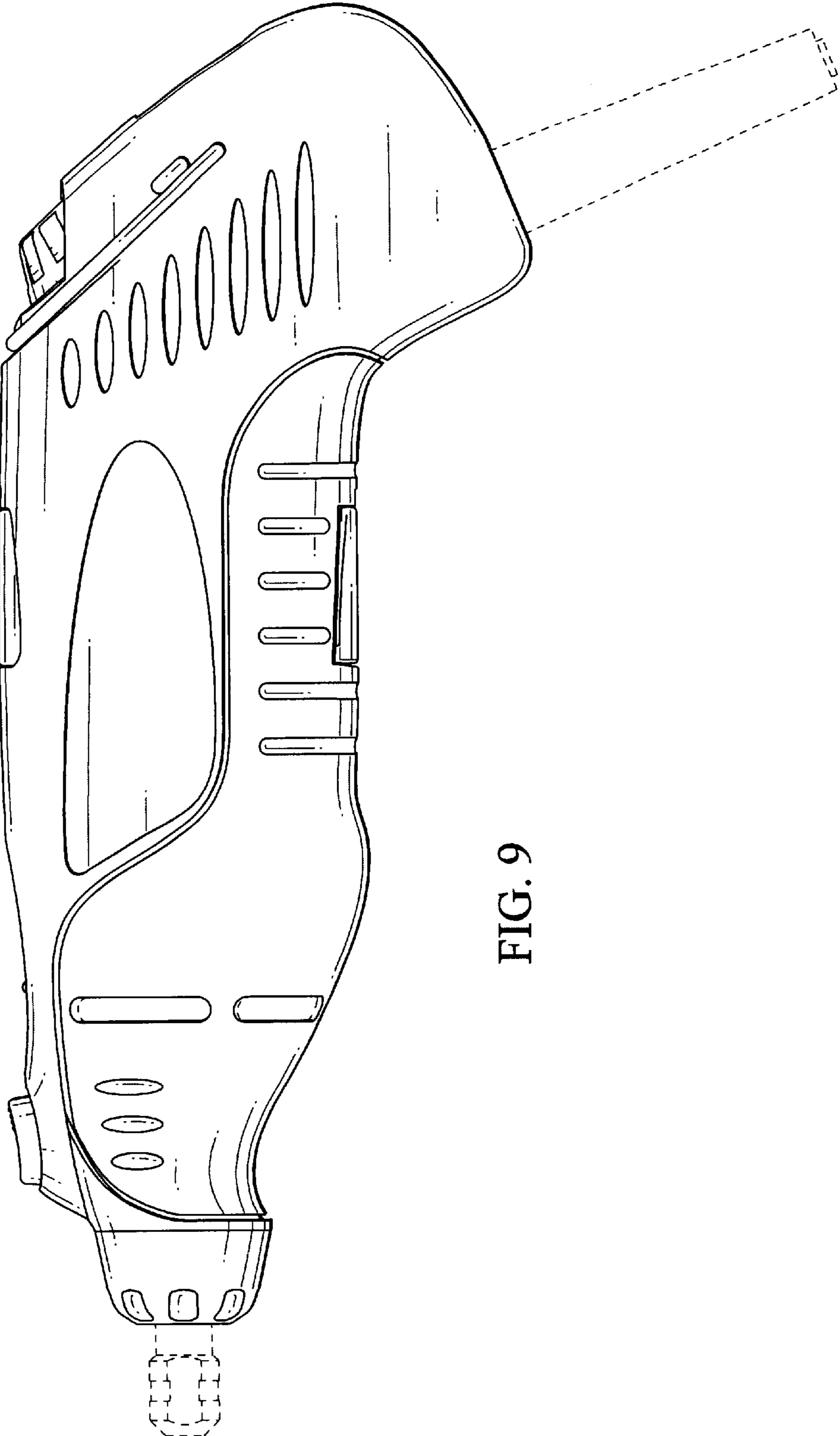


FIG. 9

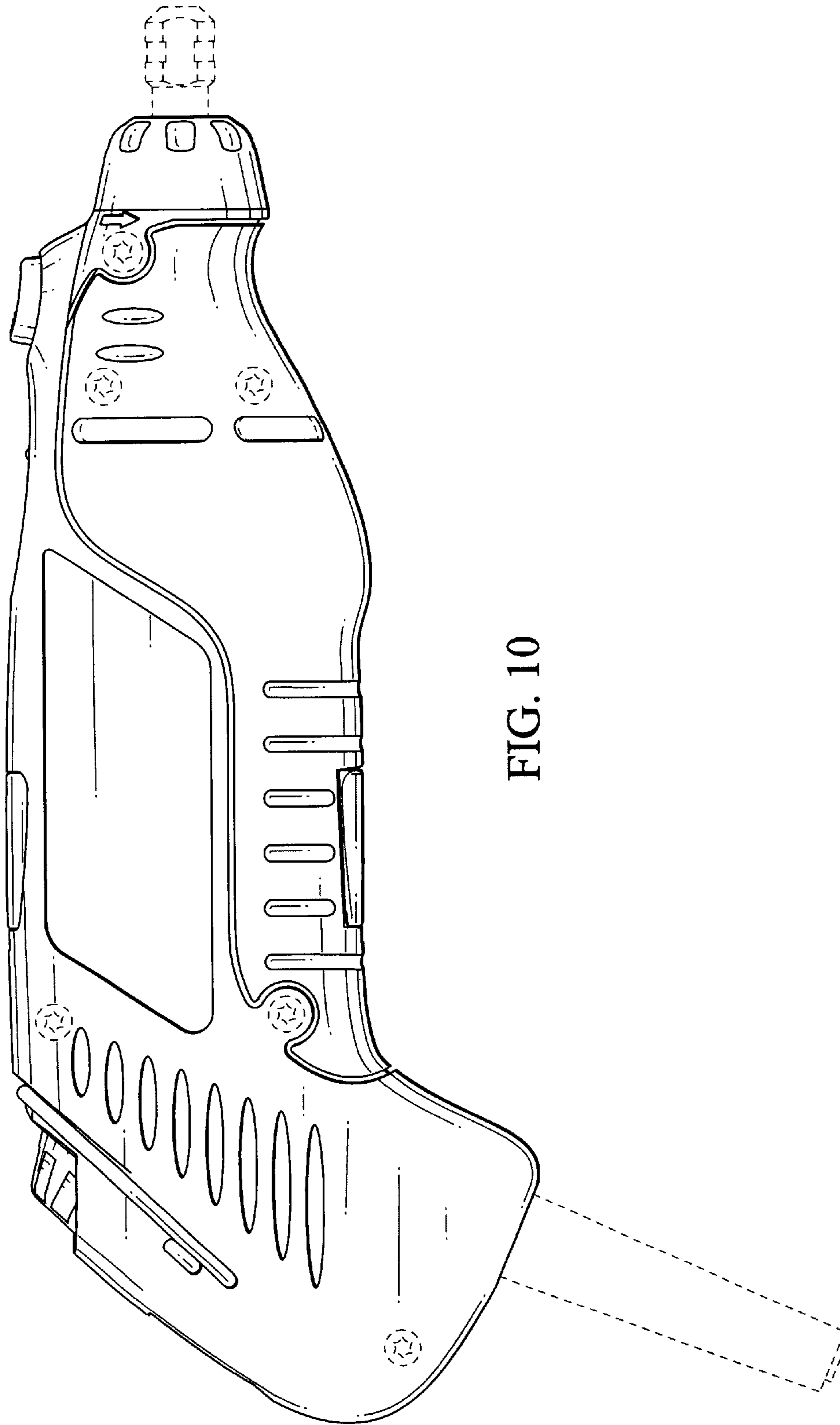


FIG. 10

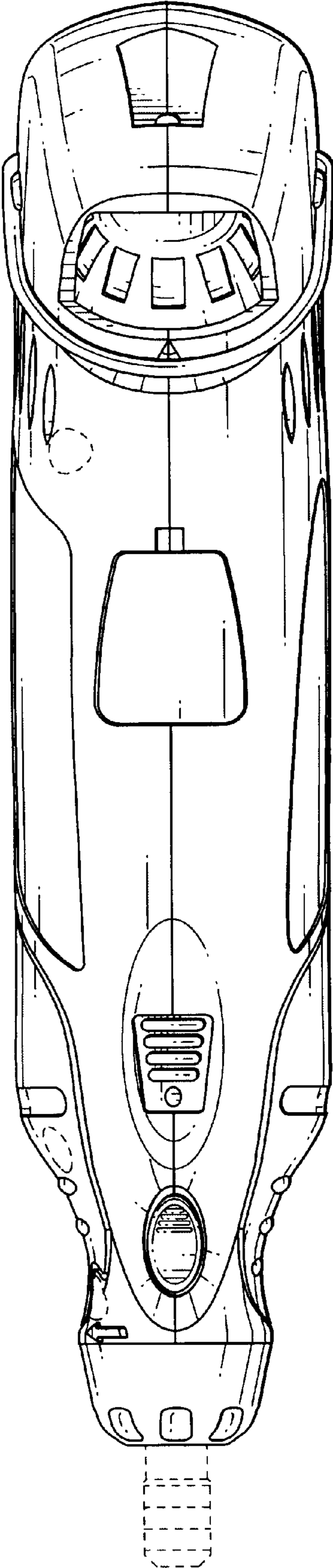


FIG. 11

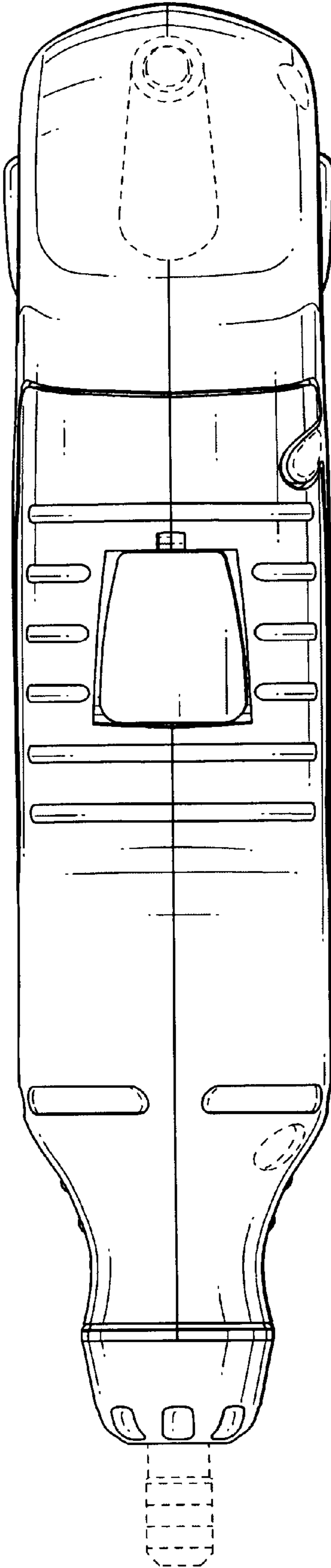


FIG. 12

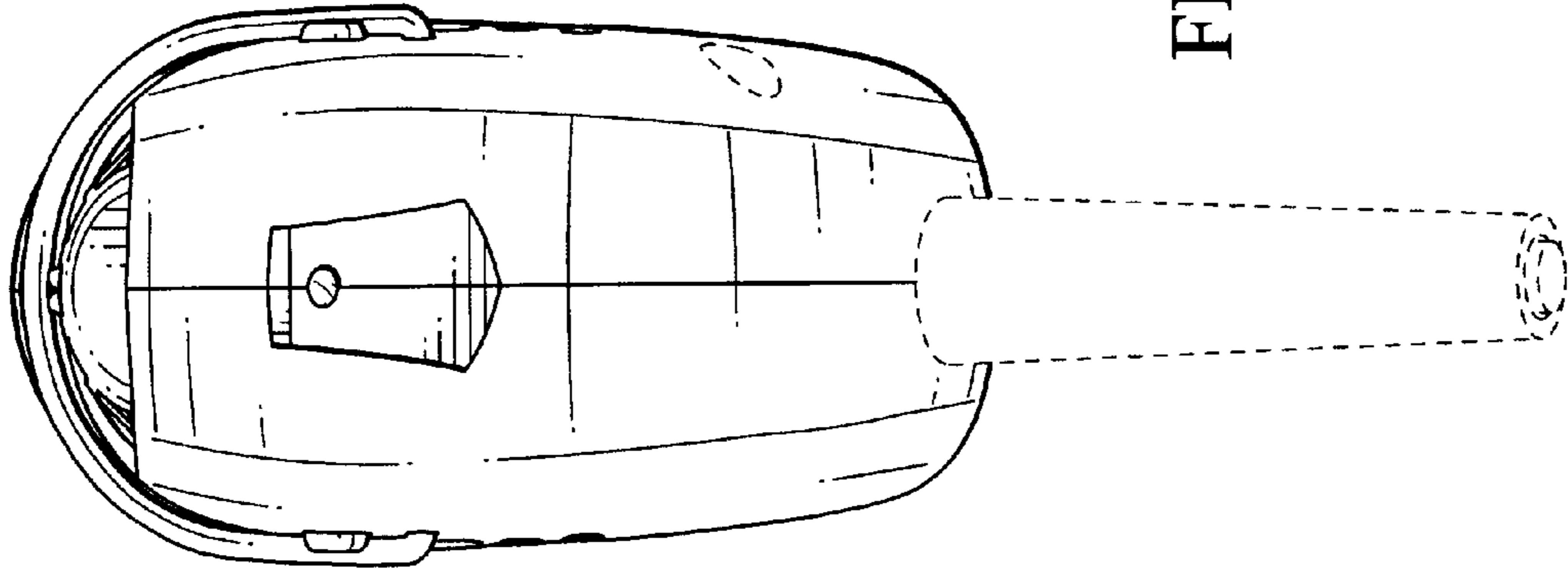


FIG. 14

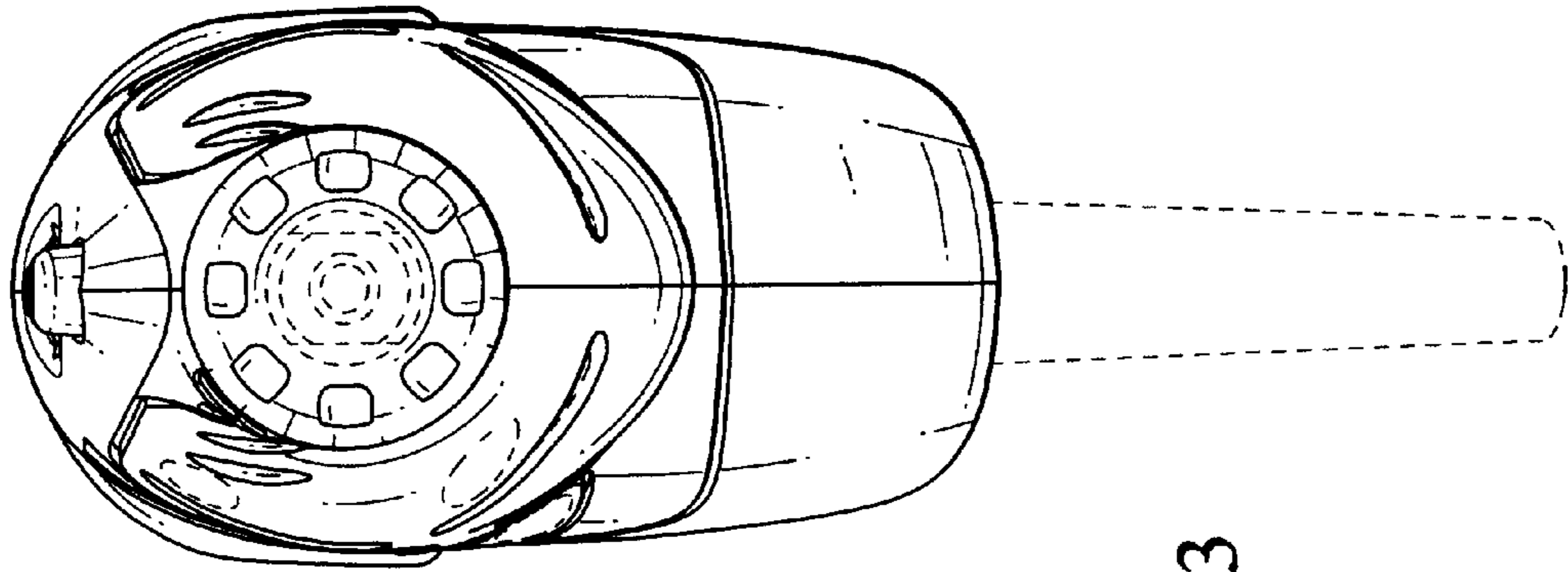


FIG. 13