

US00D507727S

(12) **United States Design Patent**  
**Huff**

(10) **Patent No.:** **US D507,727 S**

(45) **Date of Patent:** **\*\* Jul. 26, 2005**

(54) **EGG SHELL REMOVAL APPARATUS**

4,149,456 A \* 4/1979 Gisomni ..... 99/577

(76) **Inventor:** **Larry S. Huff**, 39 Saddlebow Rd., Bell Canyon, CA (US) 91307

\* cited by examiner

*Primary Examiner*—Terry A. Wallace

(\*\*) **Term:** **14 Years**

(74) *Attorney, Agent, or Firm*—Stetina Brunda Garred & Brucker

(21) **Appl. No.:** **29/204,723**

(57) **CLAIM**

(22) **Filed:** **May 3, 2004**

The ornamental design for an egg shell removal apparatus, as shown.

(51) **LOC (8) Cl.** ..... **07-04**

(52) **U.S. Cl.** ..... **D7/693**

(58) **Field of Search** ..... D7/693, 368, 669;  
30/120.1; 99/568–583, 586–591; 426/479,  
480

**DESCRIPTION**

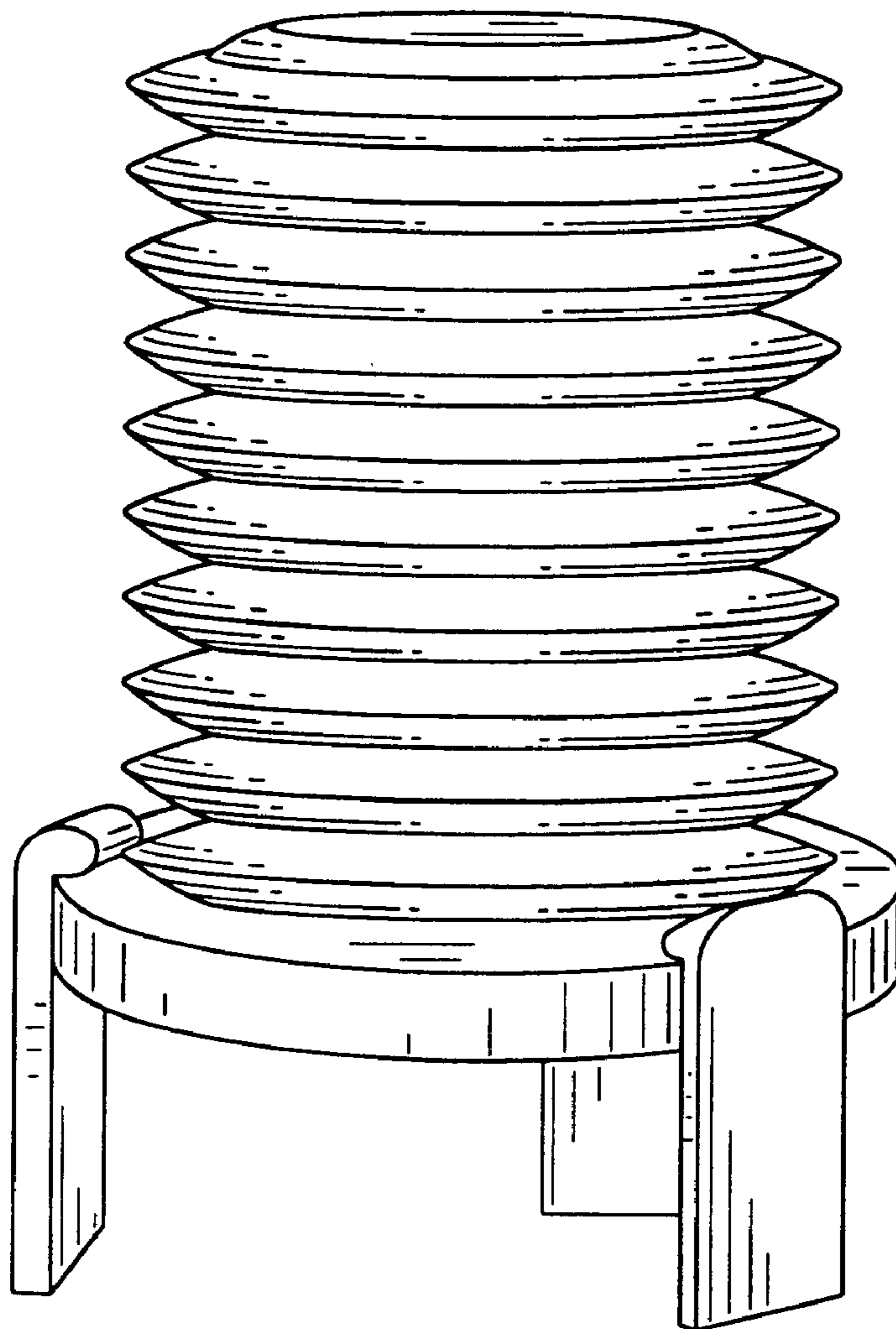
FIG. 1 is a front perspective view of the present invention showing my new design;  
FIG. 2 is a first side view thereof;  
FIG. 3 is a second side view thereof;  
FIG. 4 is a top view thereof;  
FIG. 5 is a third side view thereof; and,  
FIG. 6 is a bottom view thereof.

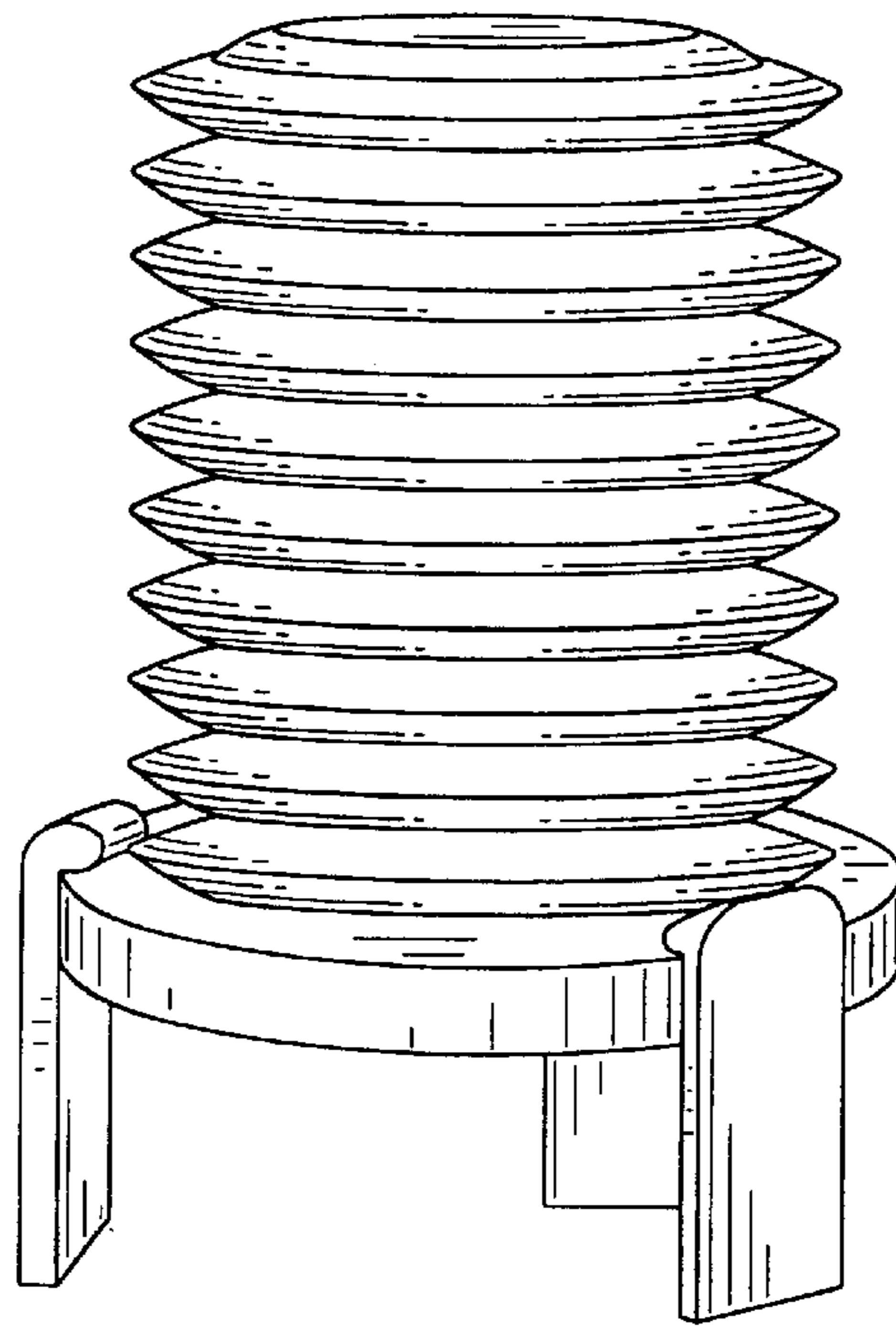
(56) **References Cited**

**U.S. PATENT DOCUMENTS**

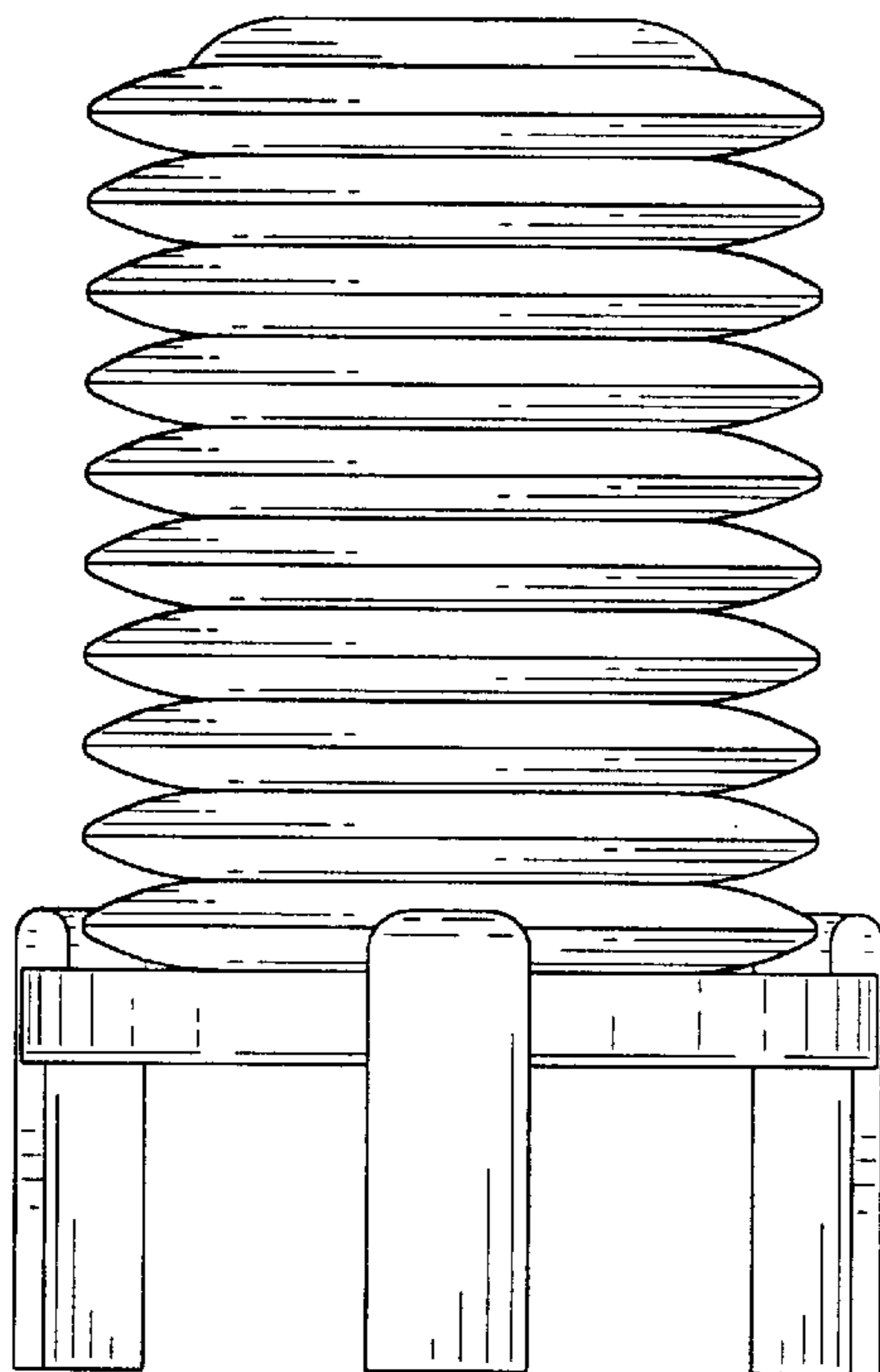
2,752,966 A \* 7/1956 Kisner ..... 30/120.1  
3,839,792 A \* 10/1974 Ceccon ..... 30/120.1

**1 Claim, 2 Drawing Sheets**

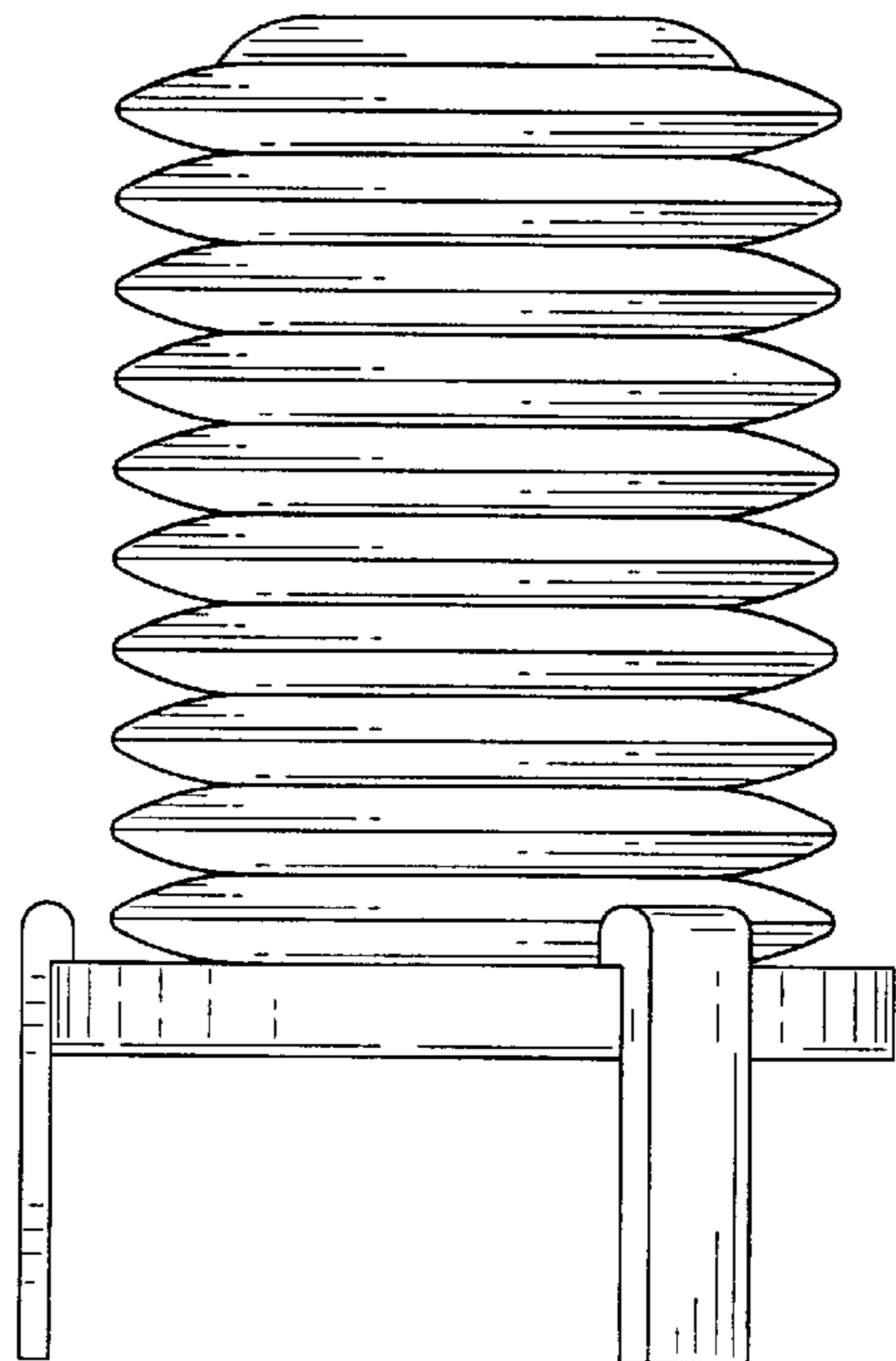




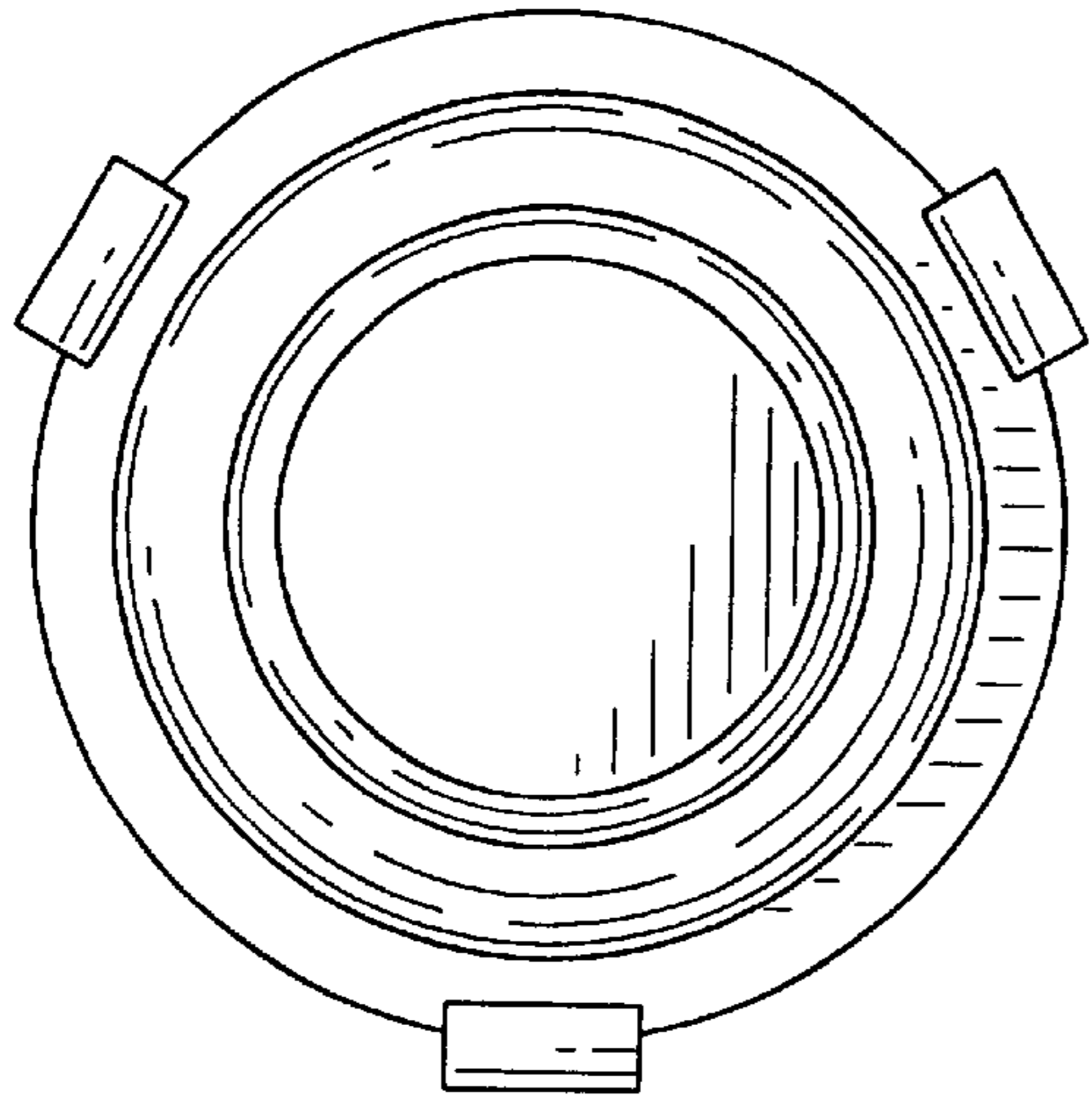
*Fig. 1*



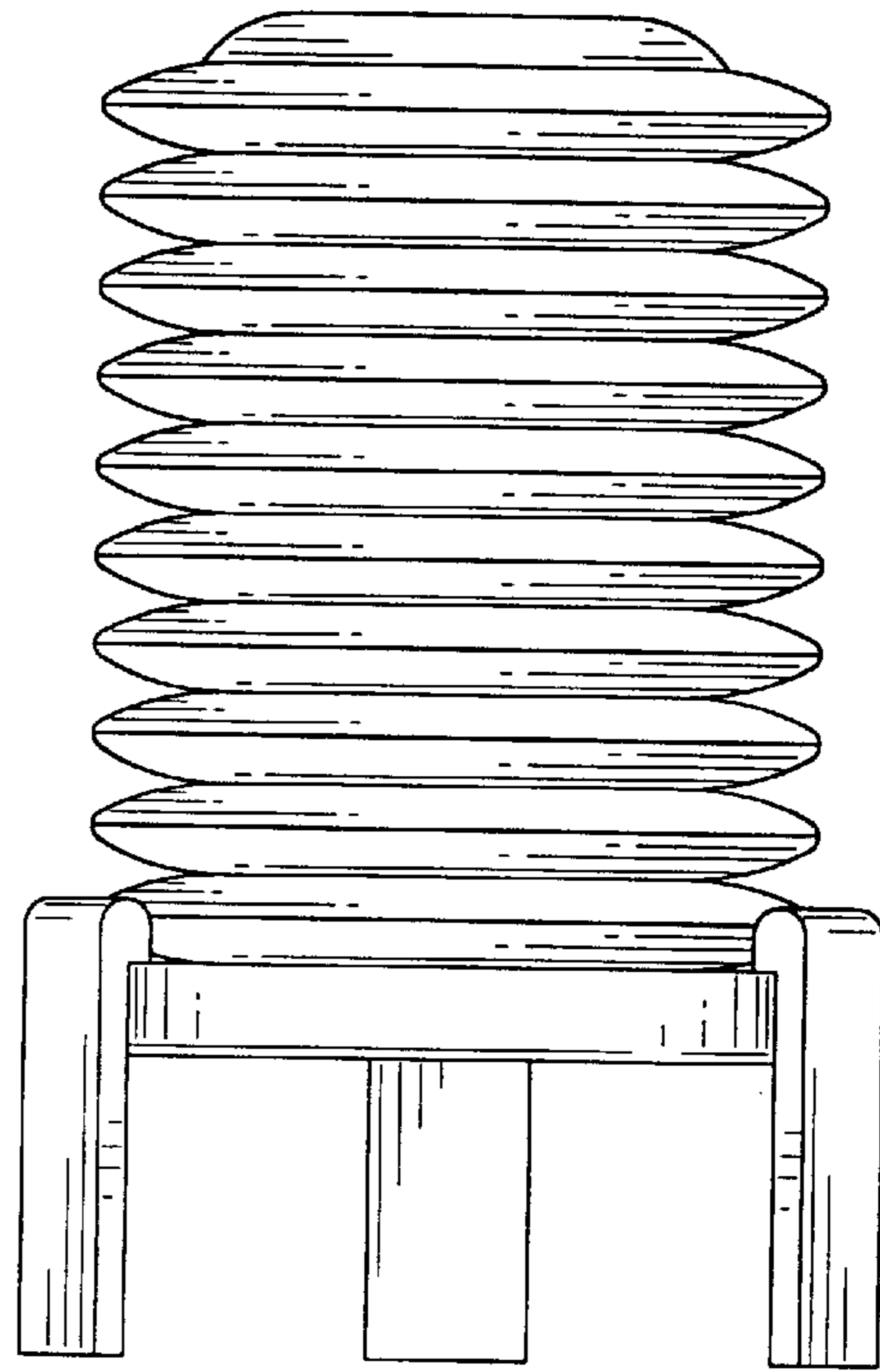
*Fig. 2*



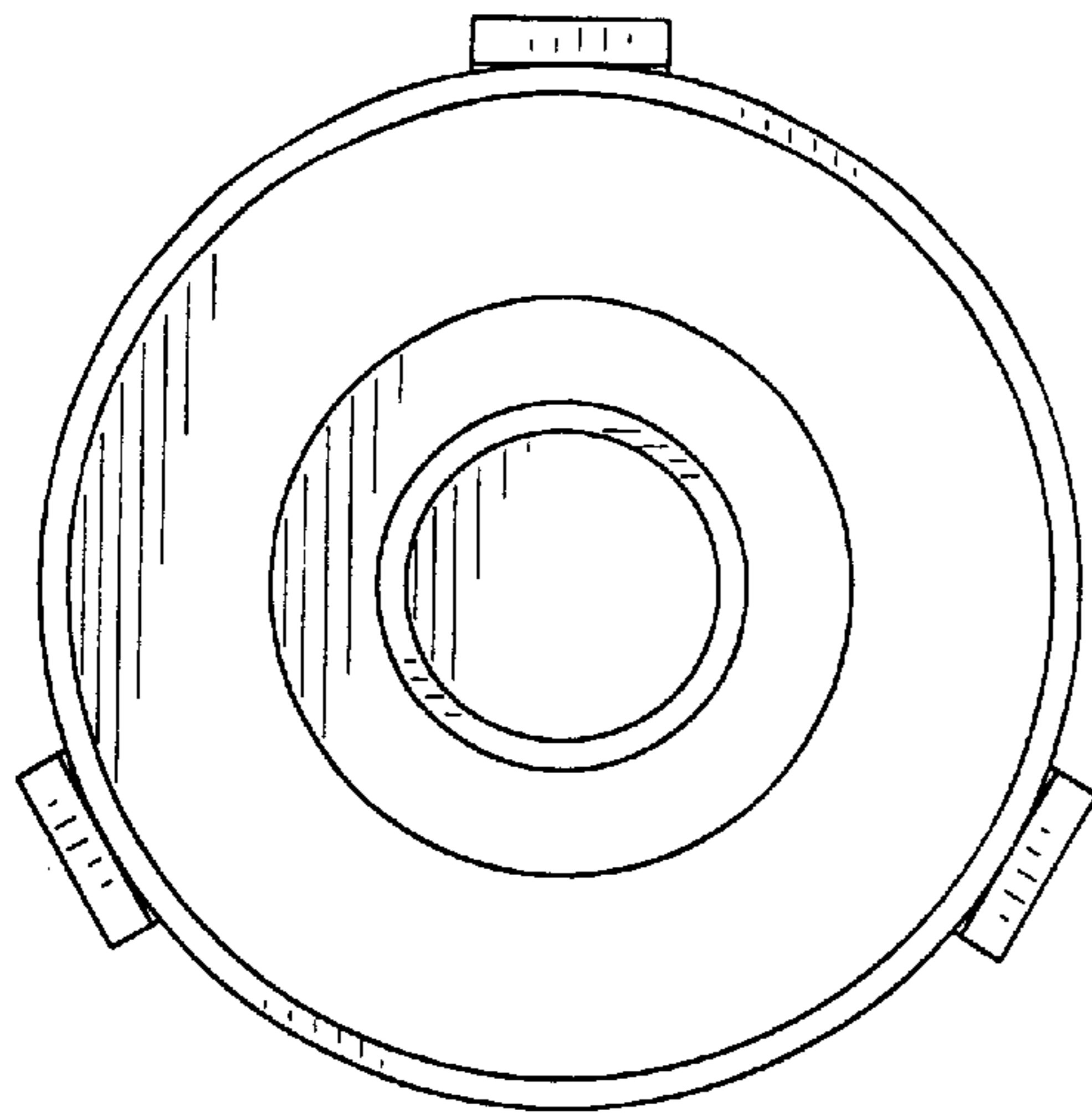
*Fig. 3*



*Fig. 4*



*Fig. 5*



*Fig. 6*