

US00D507722S

(12) **United States Design Patent**
Rockhill

(10) **Patent No.:** **US D507,722 S**
(45) **Date of Patent:** **** Jul. 26, 2005**

- (54) **VENTED DRINKING VESSEL**
- (75) **Inventor:** **Larry Rockhill, Kennesaw, GA (US)**
- (73) **Assignee:** **SKR, LLC, Tuscaloosa, AL (US)**
- (**) **Term:** **14 Years**
- (21) **Appl. No.:** **29/206,752**
- (22) **Filed:** **Jun. 3, 2004**
- (51) **LOC (8) Cl.** **07-01**
- (52) **U.S. Cl.** **D7/510; D7/510; D7/300.2**
- (58) **Field of Search** **D7/510, 511, 300.2, D7/520, 507, 300.1, 509, 396.2; D9/337, 717, 436, 502, 528, 526, 447; D12/411; D24/122.111; 222/129, 151; 220/375, 23.86, 729, 603, 715, 264, 705; 210/120; 600/576; 215/309, 306, 376, 387, 11.5, 313**

- D348,802 S * 7/1994 Miller, III D7/510
- D355,332 S * 2/1995 Landivar et al. D7/510
- D363,985 S * 11/1995 Hovel et al. D24/111
- D367,402 S * 2/1996 Bates et al. D7/520
- 5,545,315 A * 8/1996 Lonneman 210/120
- D378,975 S * 4/1997 Reid D7/510
- D401,106 S * 11/1998 Valentinitich D7/300.1
- D413,798 S * 9/1999 LaMarra D9/337
- D428,768 S * 8/2000 Betras D7/510
- D431,417 S * 10/2000 Lipson D7/507
- D442,436 S * 5/2001 Kleckauskas et al. D7/511
- D447,004 S * 8/2001 Green D7/510
- 6,527,137 B1 * 3/2003 Kleckauskas et al. 220/705
- D478,814 S * 8/2003 Shepard D9/528
- D493,327 S * 7/2004 Marsden et al. D7/300.1

* cited by examiner

Primary Examiner—M. N. Pandozzi
(74) *Attorney, Agent, or Firm*—Michael J. Mehrman; Mehrman Law Office, P.C.

(56) **References Cited**

U.S. PATENT DOCUMENTS

- 3,406,875 A * 10/1968 Park 222/151
- 3,990,597 A * 11/1976 Barton 215/11.5
- 4,132,225 A * 1/1979 Whattam 600/576
- D258,198 S * 2/1981 Segal D9/502
- D272,793 S * 2/1984 Appel et al. D7/510
- D289,720 S * 5/1987 Maher D7/396.2
- D307,714 S * 5/1990 Rosenberg D9/522
- D324,824 S * 3/1992 Hansen D9/436
- D328,421 S * 8/1992 Weiler D9/526
- D332,221 S * 1/1993 Willems D9/447
- D336,043 S * 6/1993 Provencio D9/436
- D340,518 S * 10/1993 Stahmer, Jr. et al. D24/122

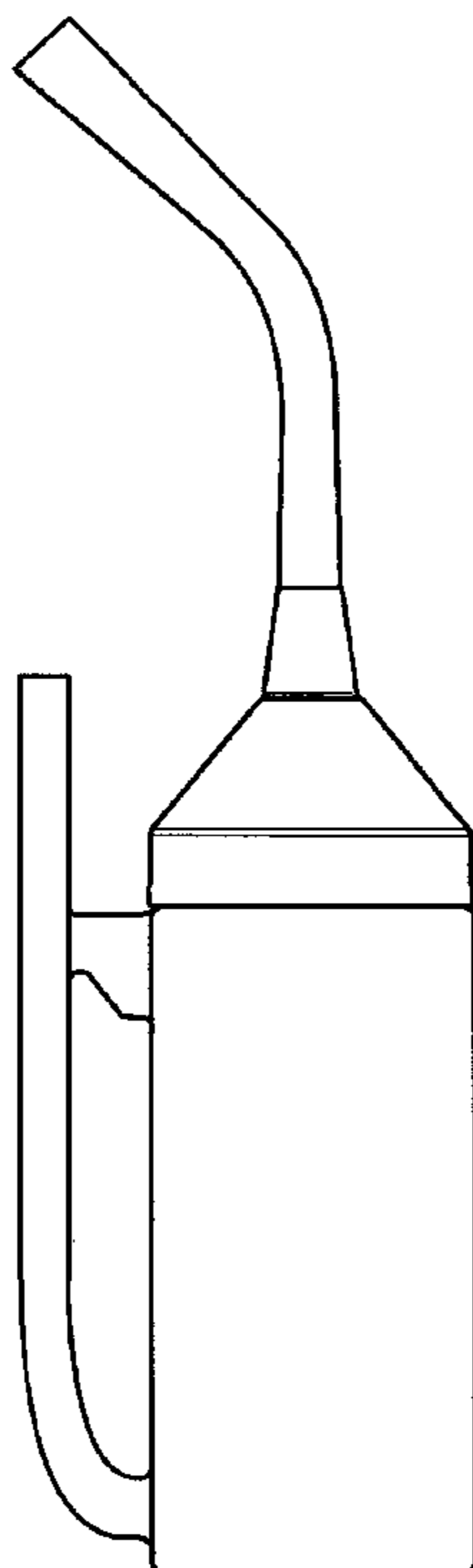
(57) **CLAIM**

The ornamental design for a vented drinking vessel, as shown and described.

DESCRIPTION

FIG. 1 is a side view of the vented drinking bottle.
FIG. 2 is a top view of the vented drinking bottle showing in FIG. 1.
FIG. 3 is a front view of the vented drinking bottle shown in FIG. 1; and,
FIG. 4 is a perspective side view of the vented drinking bottle shown in FIG. 1.

1 Claim, 2 Drawing Sheets



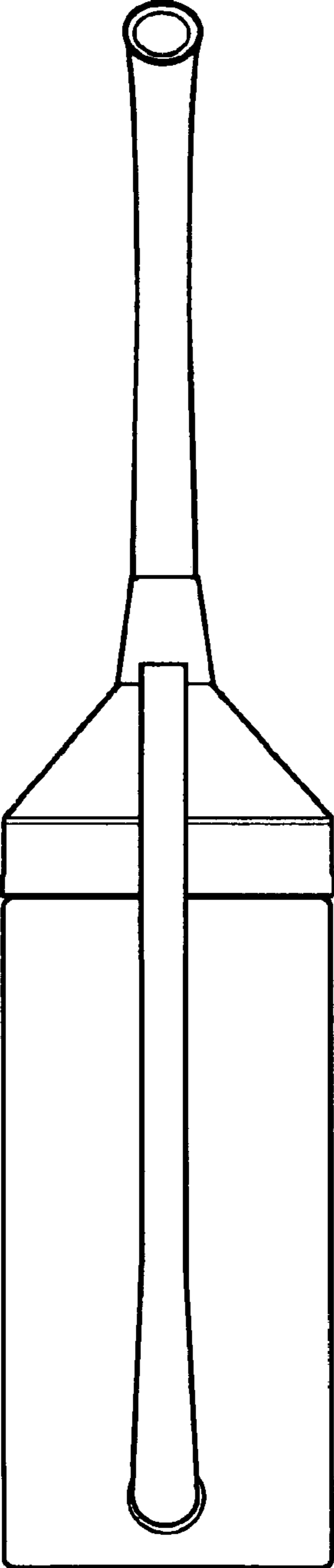


FIGURE 3

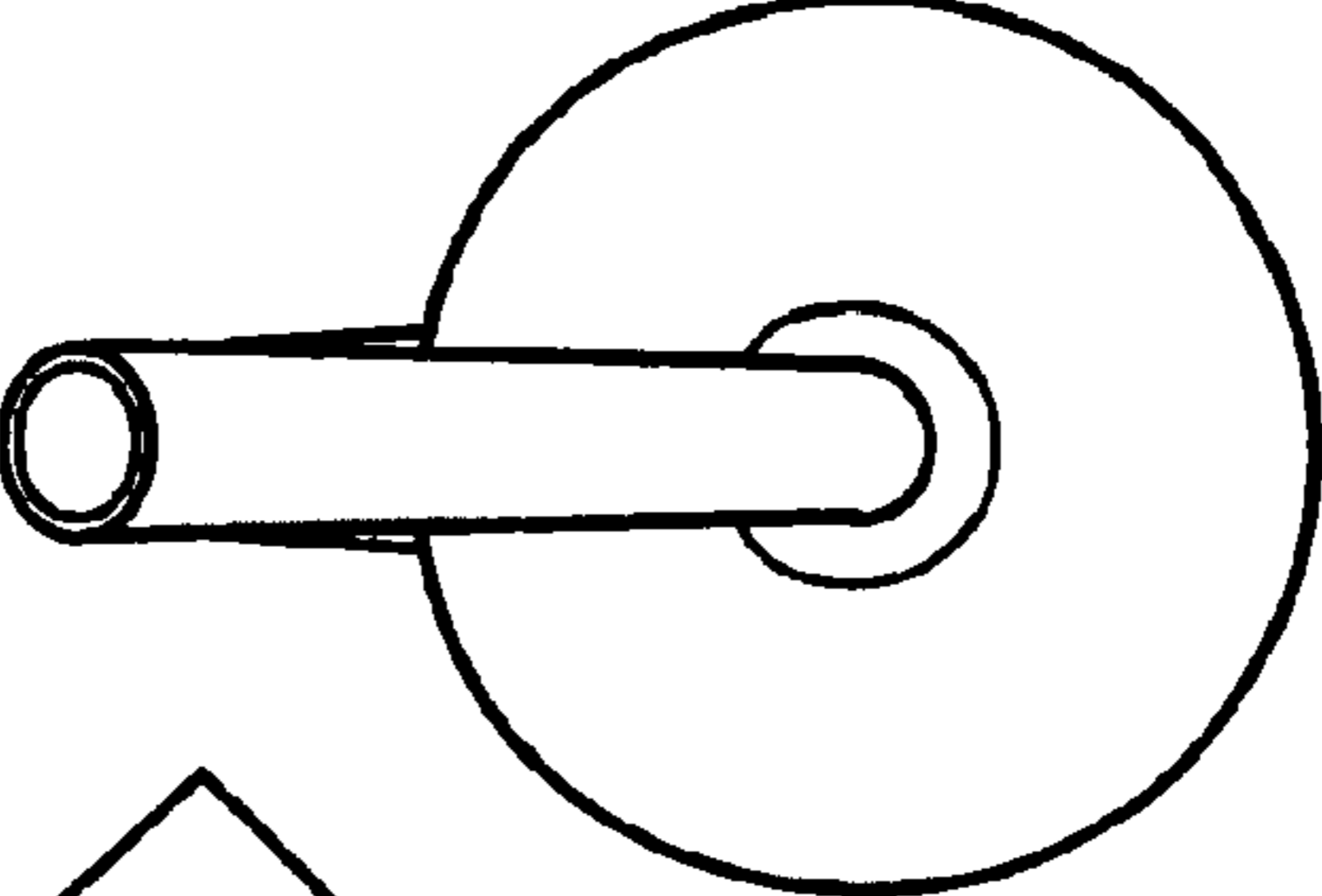


FIGURE 2

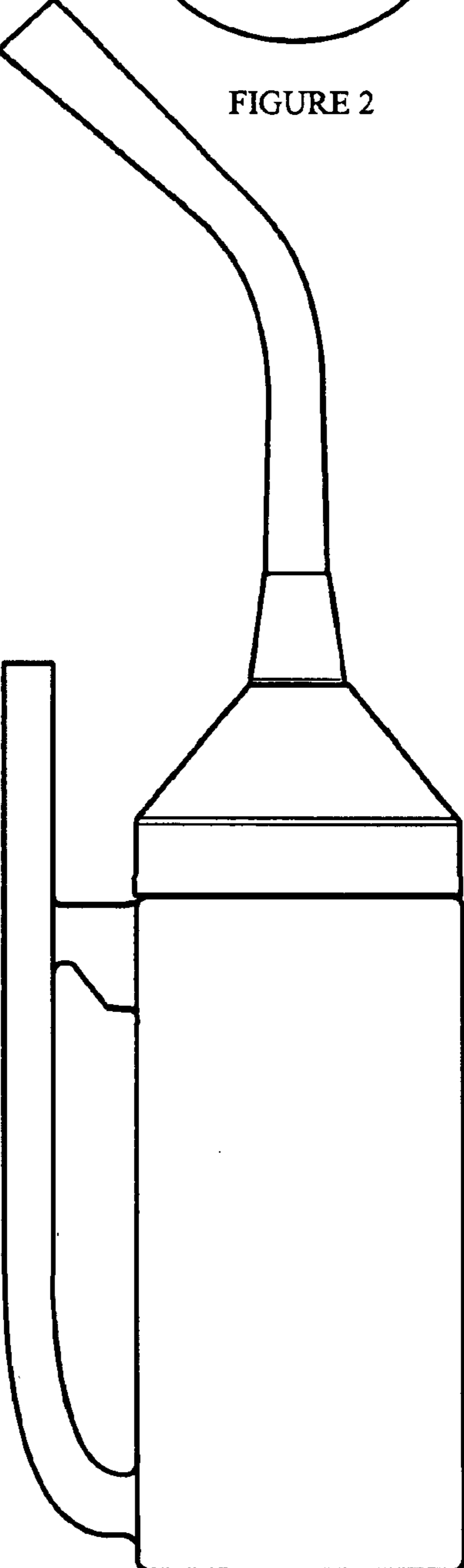


FIGURE 1

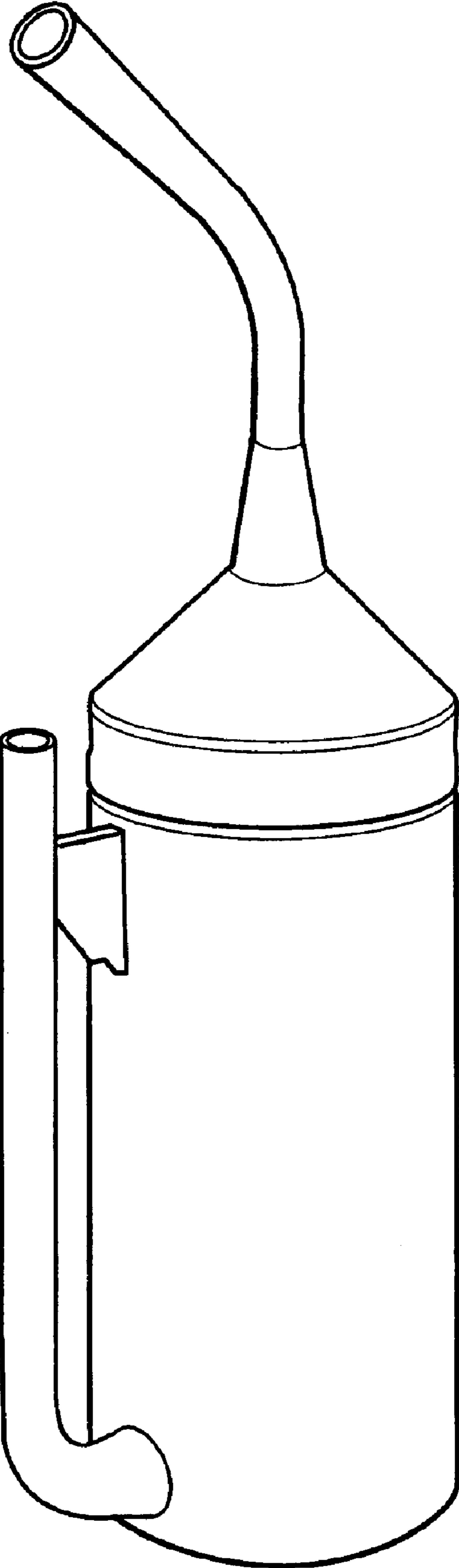


FIGURE 4