

US00D507717S

(12) **United States Design Patent**  
**Essig, Jr. et al.**

(10) **Patent No.: US D507,717 S**  
(45) **Date of Patent: \*\* Jul. 26, 2005**

(54) **SOLAR COOKER WITH HEMISPHERICAL SHAPE**

(76) Inventors: **John Raymond Essig, Jr.**, P.O. Box 3333, Jupiter, FL (US) 22038-3333;  
**James Michael Essig**, 3500 Burrows Ave., Fairfax, VA (US) 22030

(\*\*) Term: **14 Years**

(21) Appl. No.: **29/171,799**

(22) Filed: **Nov. 29, 2002**

(51) **LOC (8) Cl.** ..... **07-02**

(52) **U.S. Cl.** ..... **D7/324**

(58) **Field of Search** ..... D7/324, 323, 326, D7/339-340, 354, 402, 605, 338; 126/681, 682, 607, 606, 600, 25 R

(56) **References Cited**

**U.S. PATENT DOCUMENTS**

- 2,909,171 A \* 10/1959 Lof ..... 126/681
- 3,938,497 A \* 2/1976 Andrassy ..... 126/682
- 4,125,109 A \* 11/1978 Erwin ..... 126/681

- 4,203,427 A \* 5/1980 Way, Jr. .... 126/681
- D470,708 S \* 2/2003 Young ..... D7/324
- 2004/0074490 A1 \* 4/2004 Mills et al. .... 126/600

\* cited by examiner

*Primary Examiner*—Catherine R. Oliver

(57) **CLAIM**

The ornamental design for a solar cooker with hemispherical shape, as shown and described.

**DESCRIPTION**

FIG. 1 is a perspective view of the solar cooker with hemispherical shape showing our new design supported by a toroidal ring;

FIG. 2 is a side elevational view, which also represents a view of the front, rear and opposite side;

FIG. 3 is a top plan view.

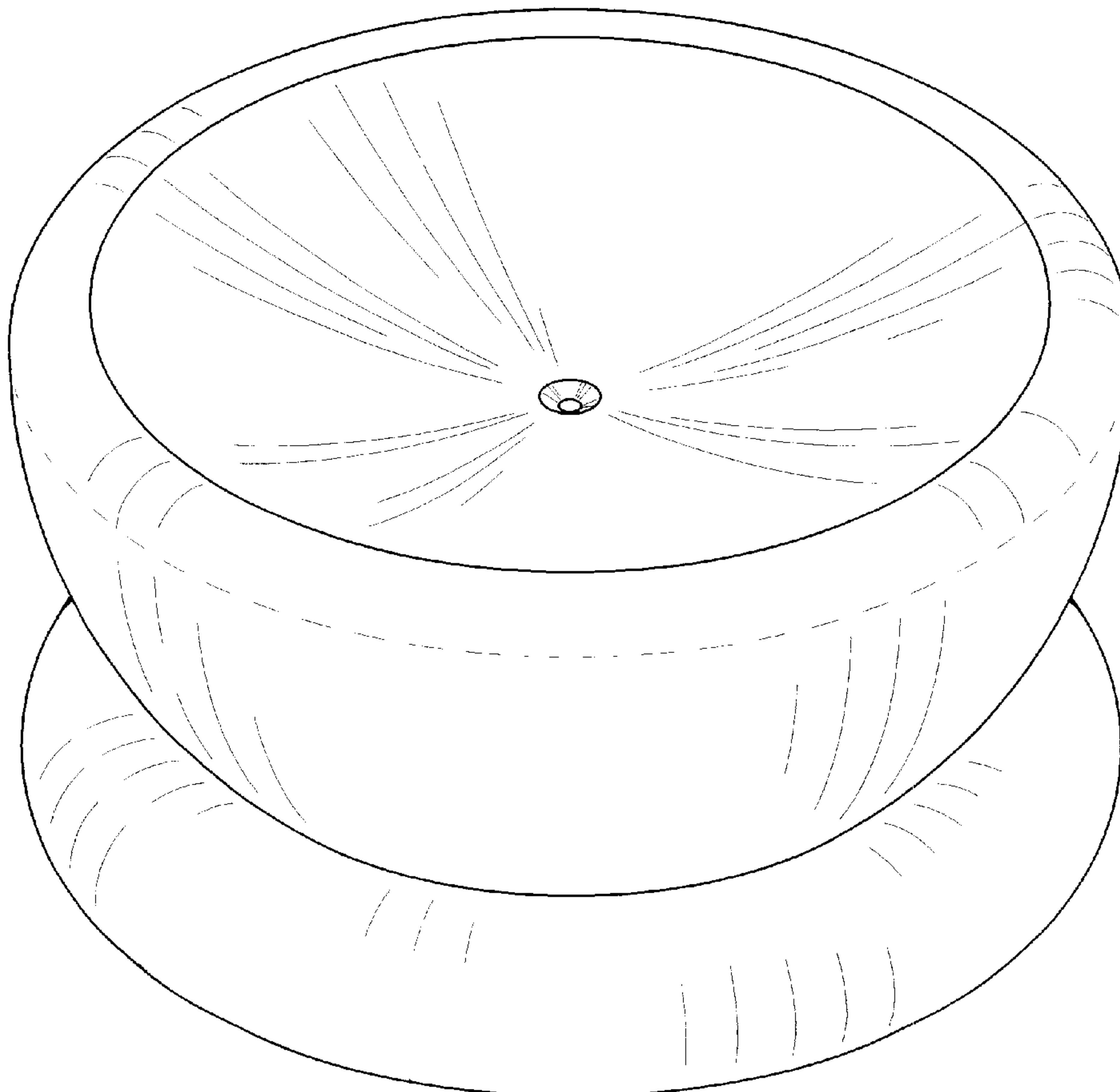
FIG. 4 is a bottom plan view.

FIG. 5 is another perspective view; showing the upper hemispherical portion rotated relative to the toroidal ring;

FIG. 6 is a front elevational view of FIG. 5; and,

FIG. 7 is a side elevational view of FIG. 5.

**1 Claim, 5 Drawing Sheets**



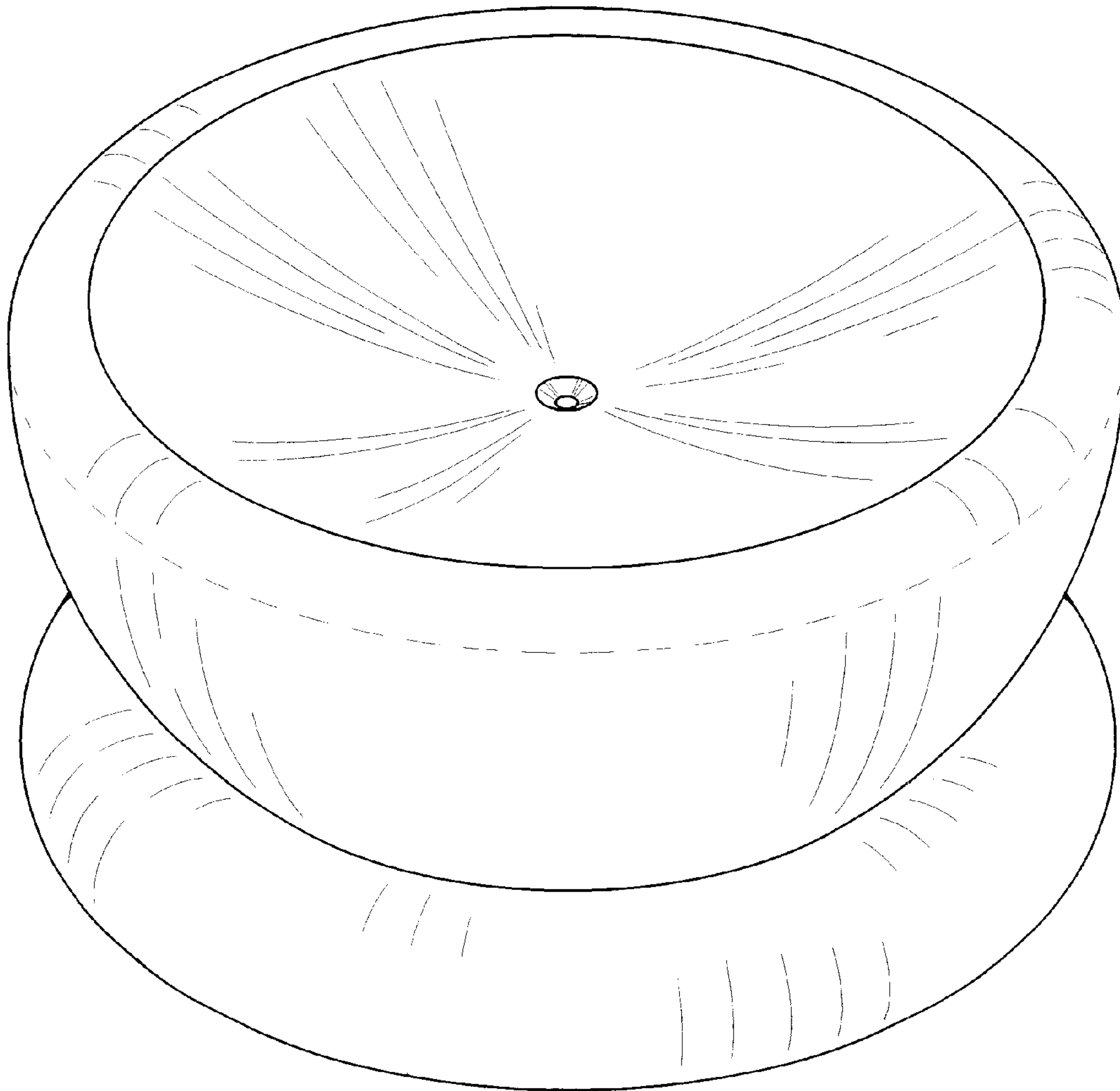
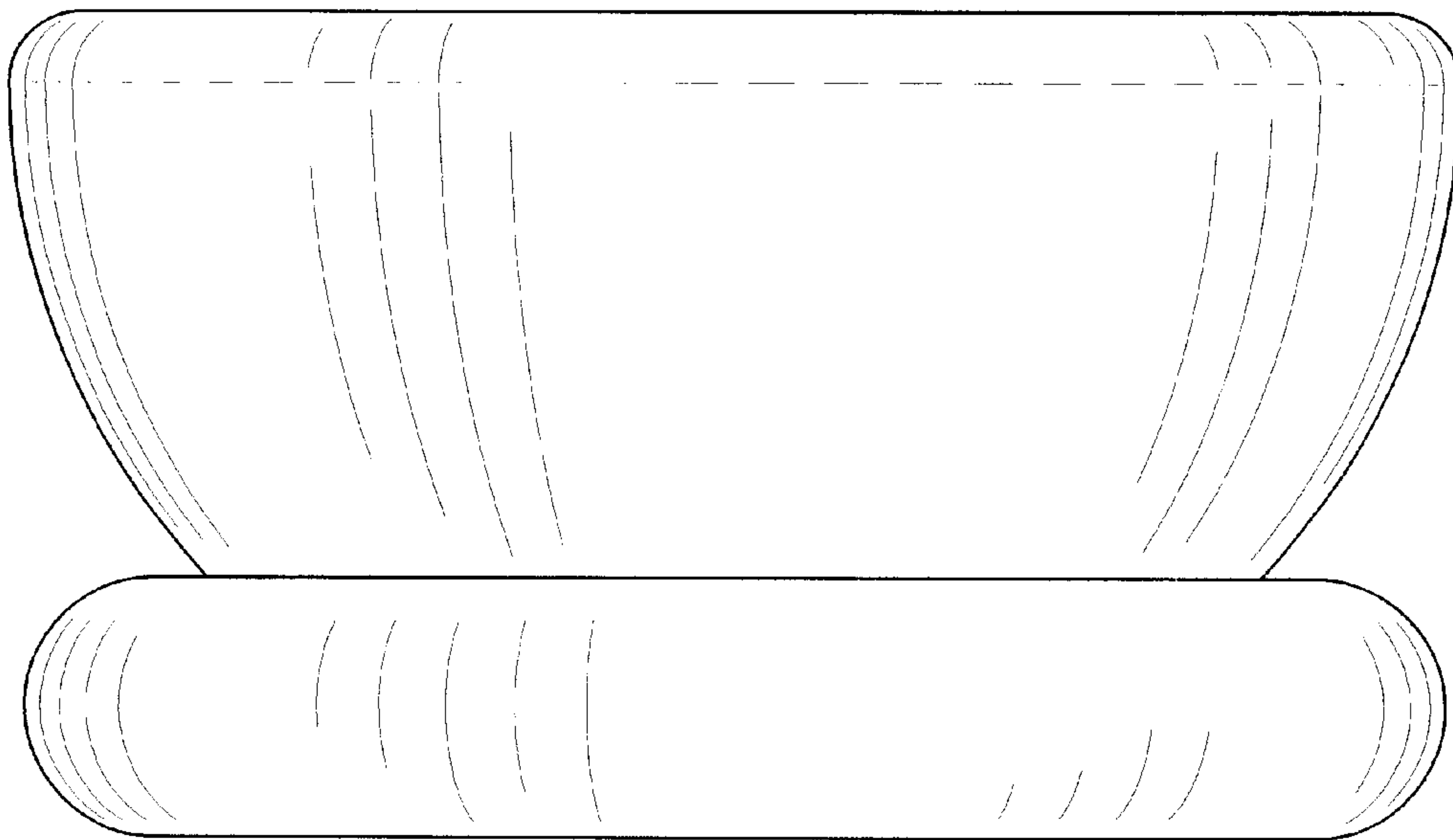
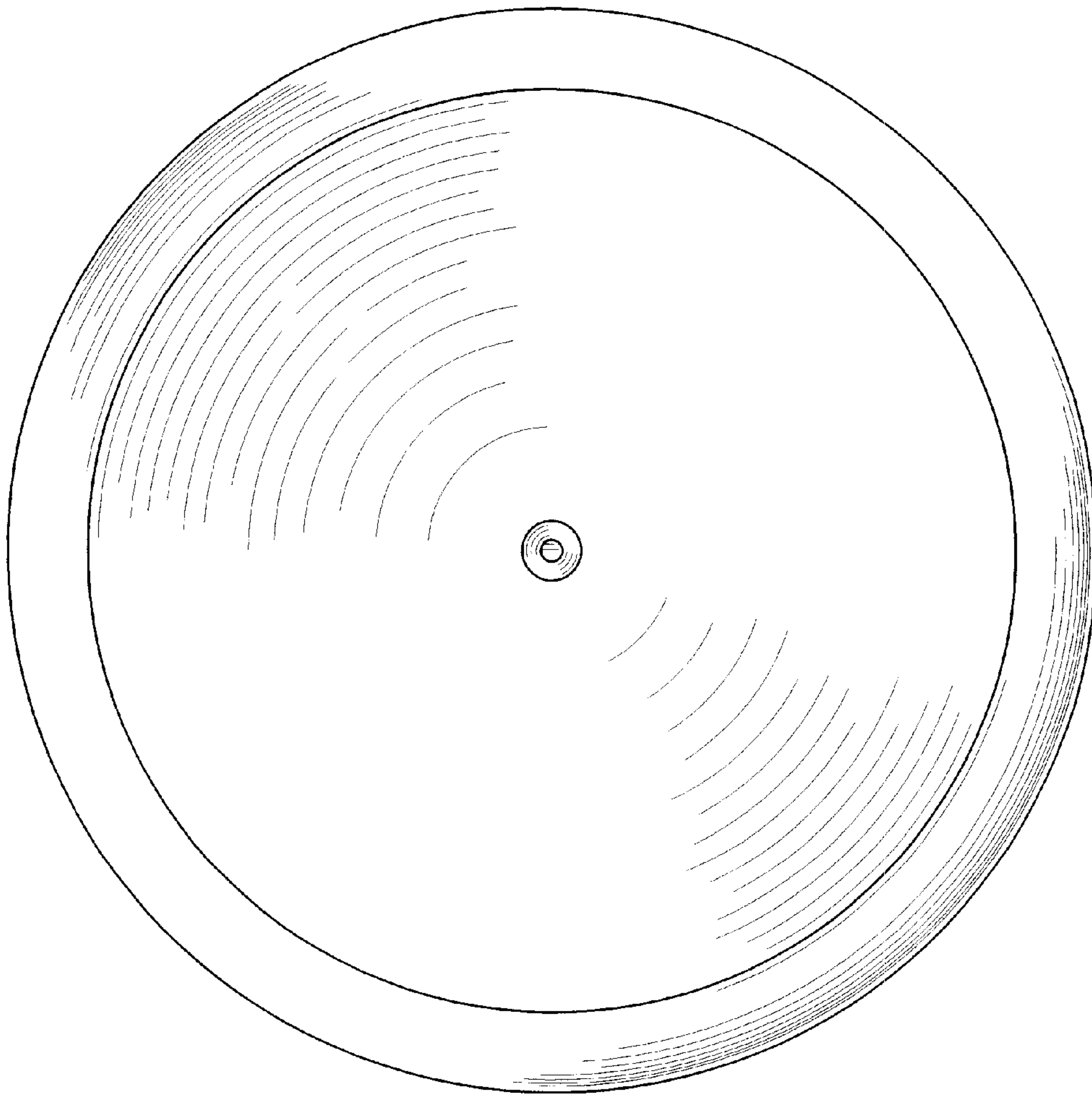


FIG. 1



**FIG. 2**



**FIG. 3**

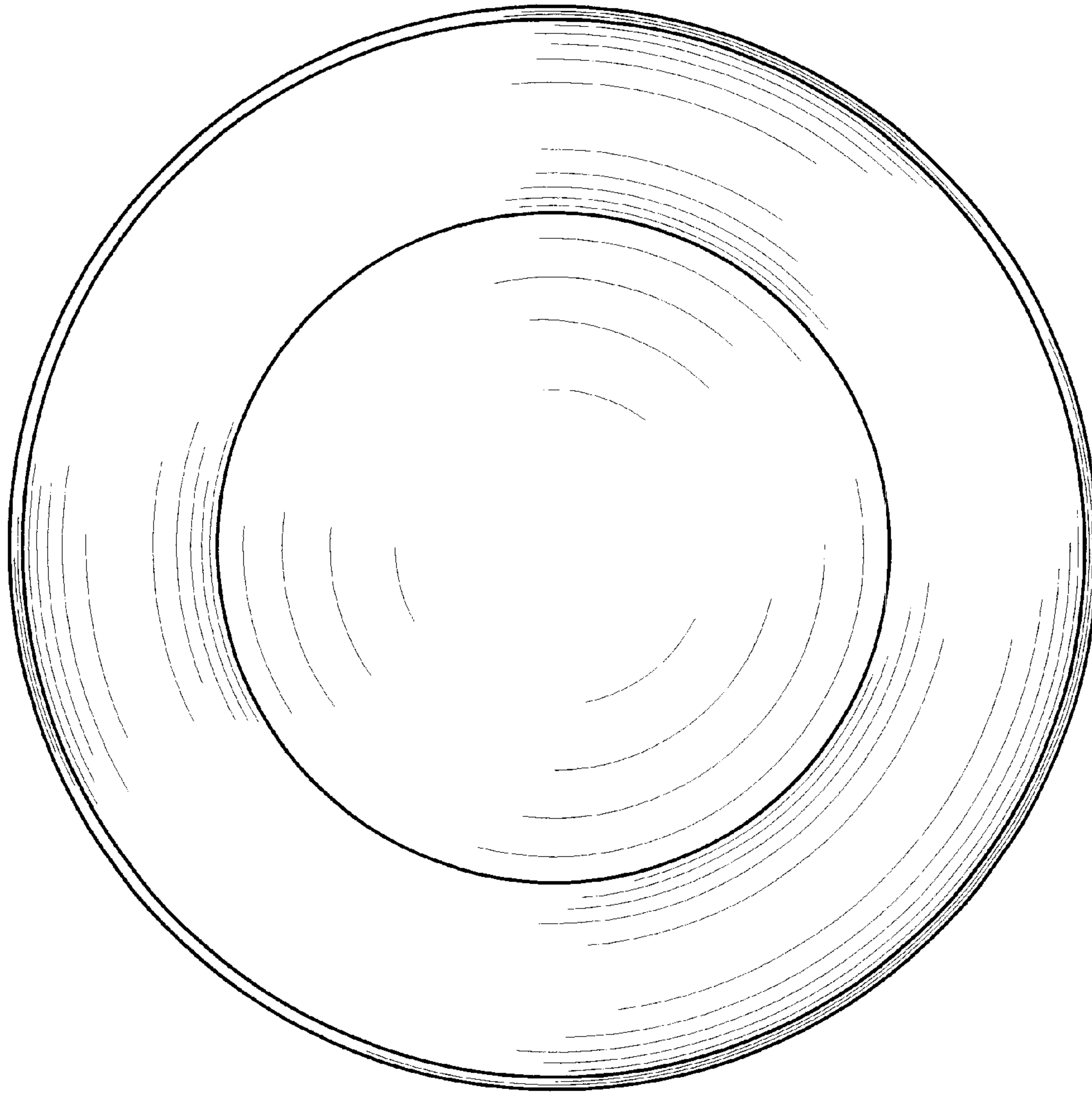


FIG. 4



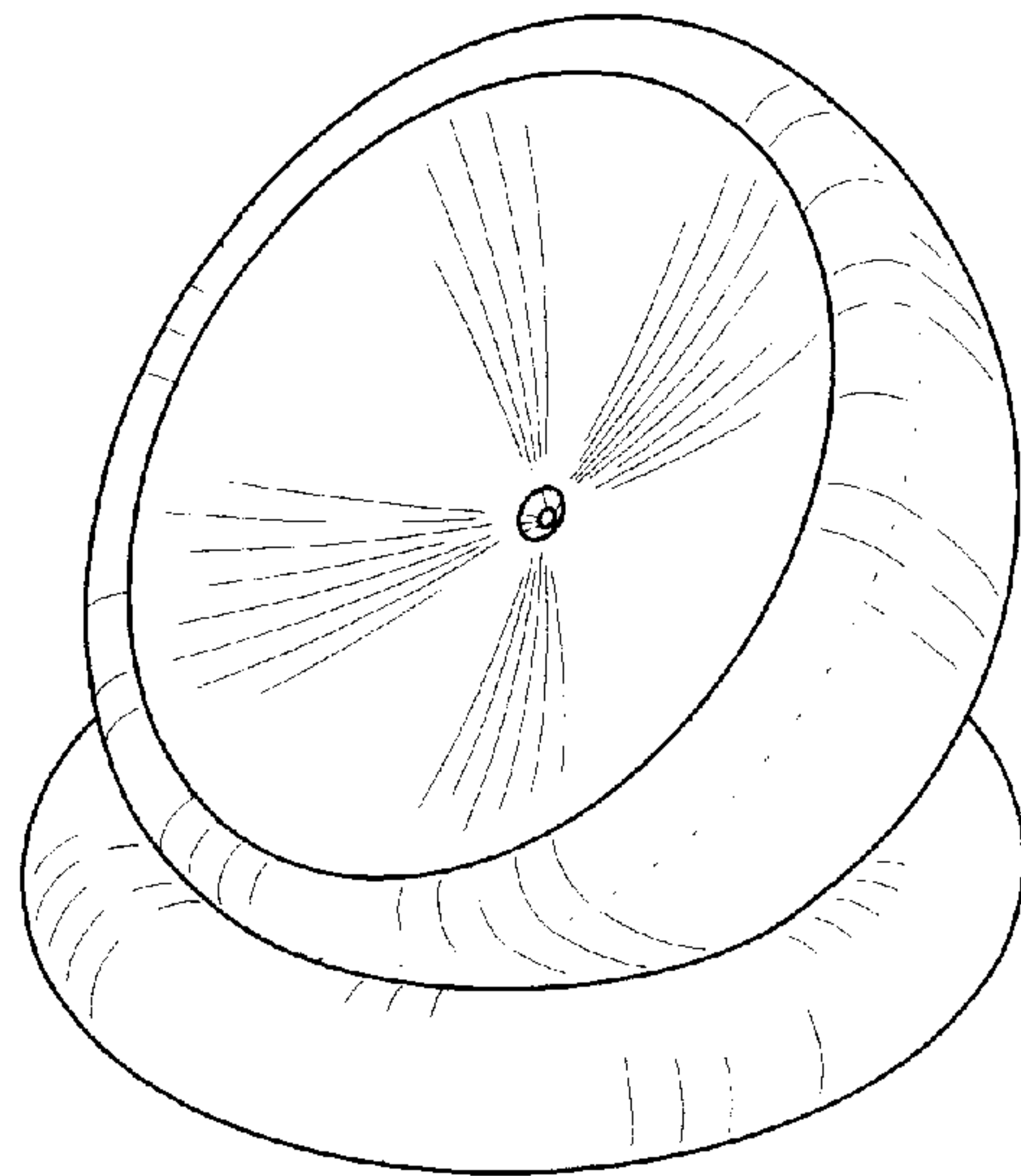


FIG. 5

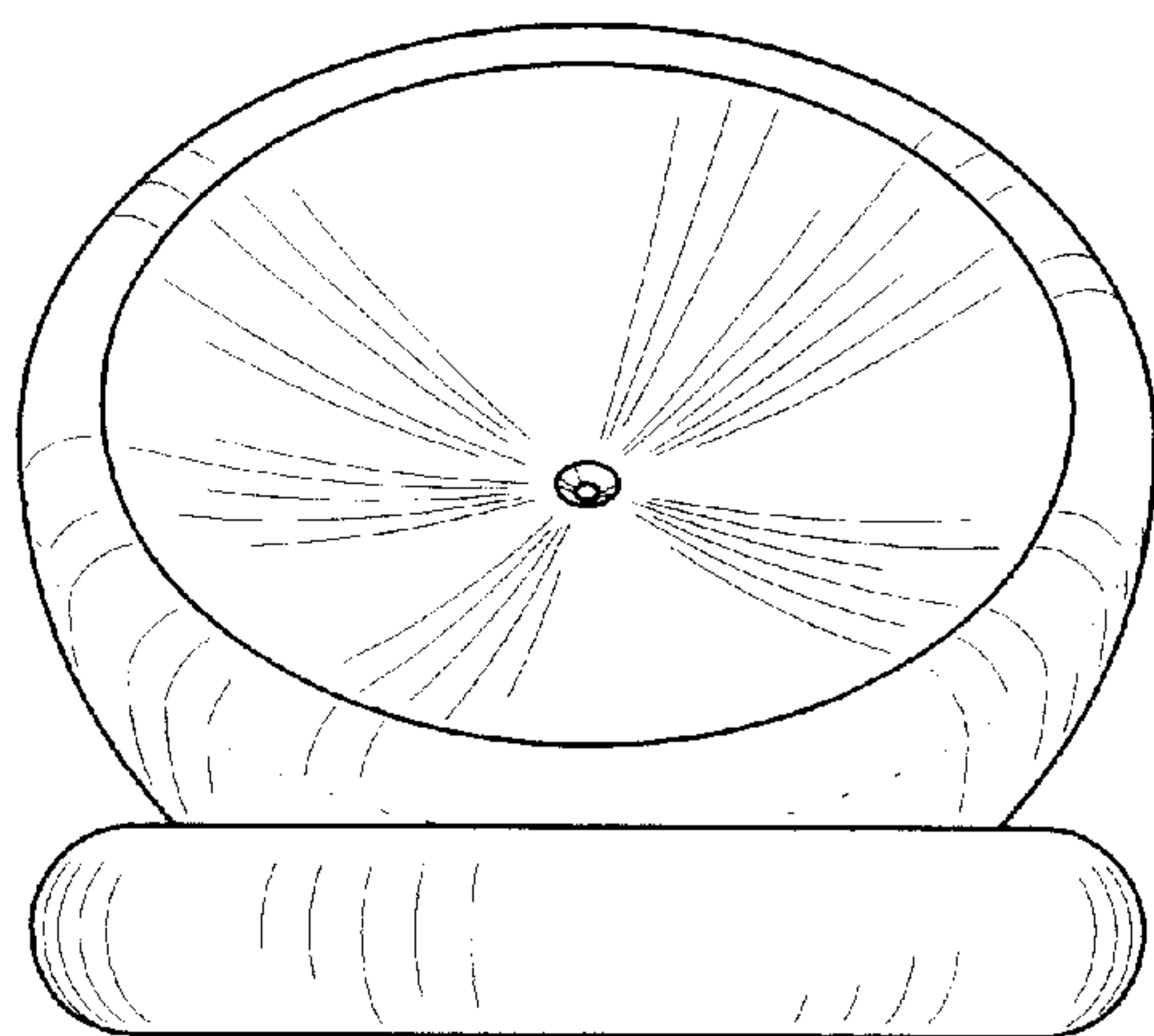


FIG. 6

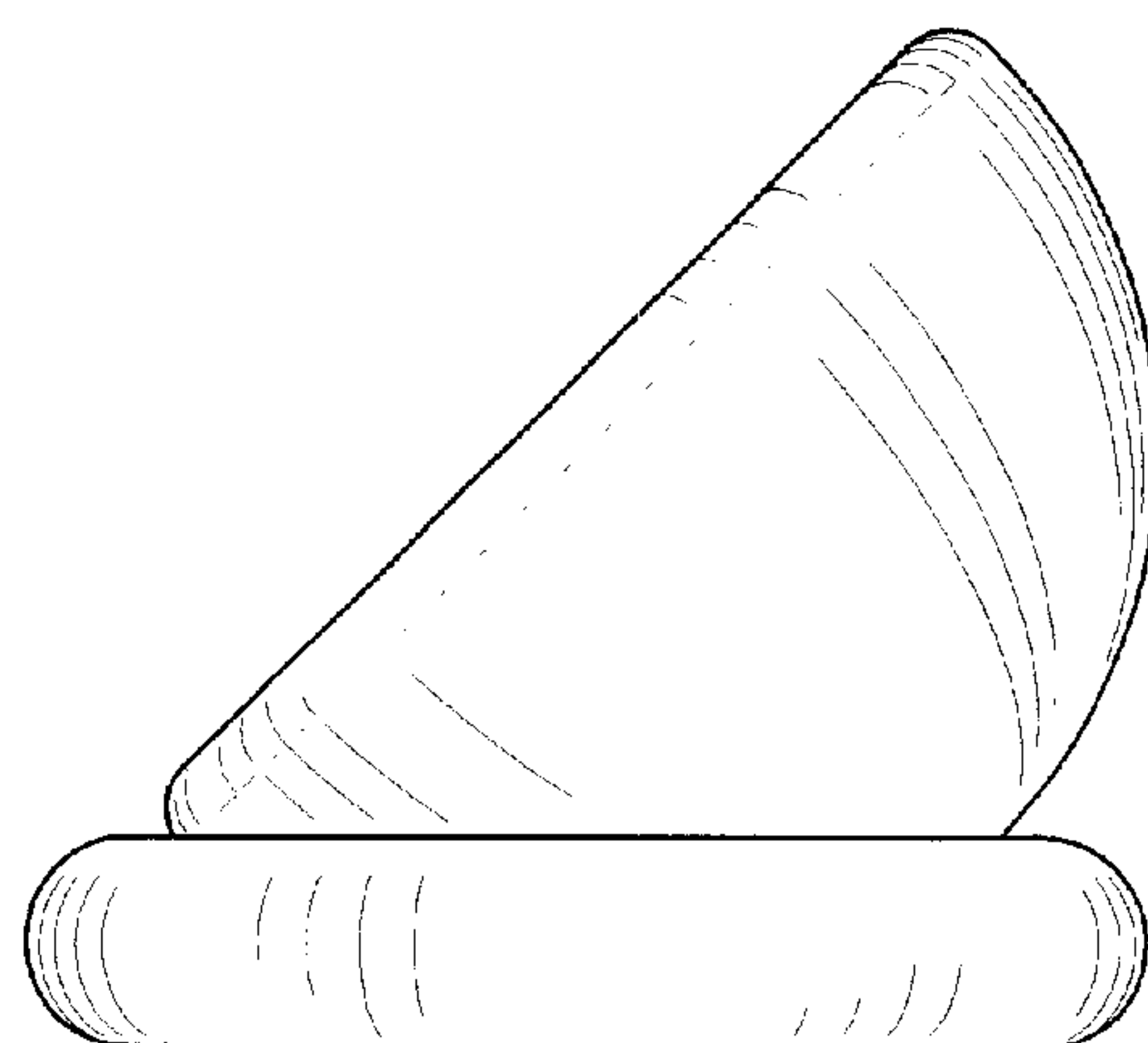


FIG. 7