

US00D507716S

(12) **United States Design Patent**  
**Snow et al.**

(10) **Patent No.: US D507,716 S**  
(45) **Date of Patent: \*\* Jul. 26, 2005**

(54) **PAPER TOWEL HOLDER**

D499,916 S \* 12/2004 Yang et al. .... D6/521

(75) Inventors: **David H. Snow**, Louisville, KY (US);  
**Jason A. Schoenfeld**, San Diego, CA  
(US); **Harold F. Raymond**, Bakersfield,  
CA (US); **Stan M. Kujawski**, East  
Aurora, NY (US)

\* cited by examiner

*Primary Examiner*—Brian N Vinson  
(74) *Attorney, Agent, or Firm*—Richard D. Clarke

(73) Assignee: **Backyard Distributors, Inc.**,  
Louisville, KY (US)

(57) **CLAIM**

We claim the design for a paper towel holder, as shown and described.

(\*\*) Term: **14 Years**

**DESCRIPTION**

(21) Appl. No.: **29/217,486**

FIG. 1 is a front elevational perspective view of the paper towel holder, shown holding a roll of paper towels;

(22) Filed: **Nov. 18, 2004**

FIG. 2 is a side elevational view of the paper towel holder, shown holding a roll of paper towels;

(51) **LOC (8) Cl.** ..... **23-02**

(52) **U.S. Cl.** ..... **D6/522; D6/521**

FIG. 3 is a front elevational view of the paper towel holder, shown holding a roll of paper towels;

(58) **Field of Search** ..... D6/518–523; 206/389,  
206/391; 211/85.5, 59.1; 242/570, 590,  
597, 597.7; 248/309.1, 309.2

FIG. 4 is a front elevational perspective view of the paper towel holder;

FIG. 5 is a side elevational view of the paper towel holder;

FIG. 6 is a front elevational view of the paper towel holder;

FIG. 7 is a bottom view of the paper towel holder; and,

FIG. 8 is a top plan view of the paper towel holder.

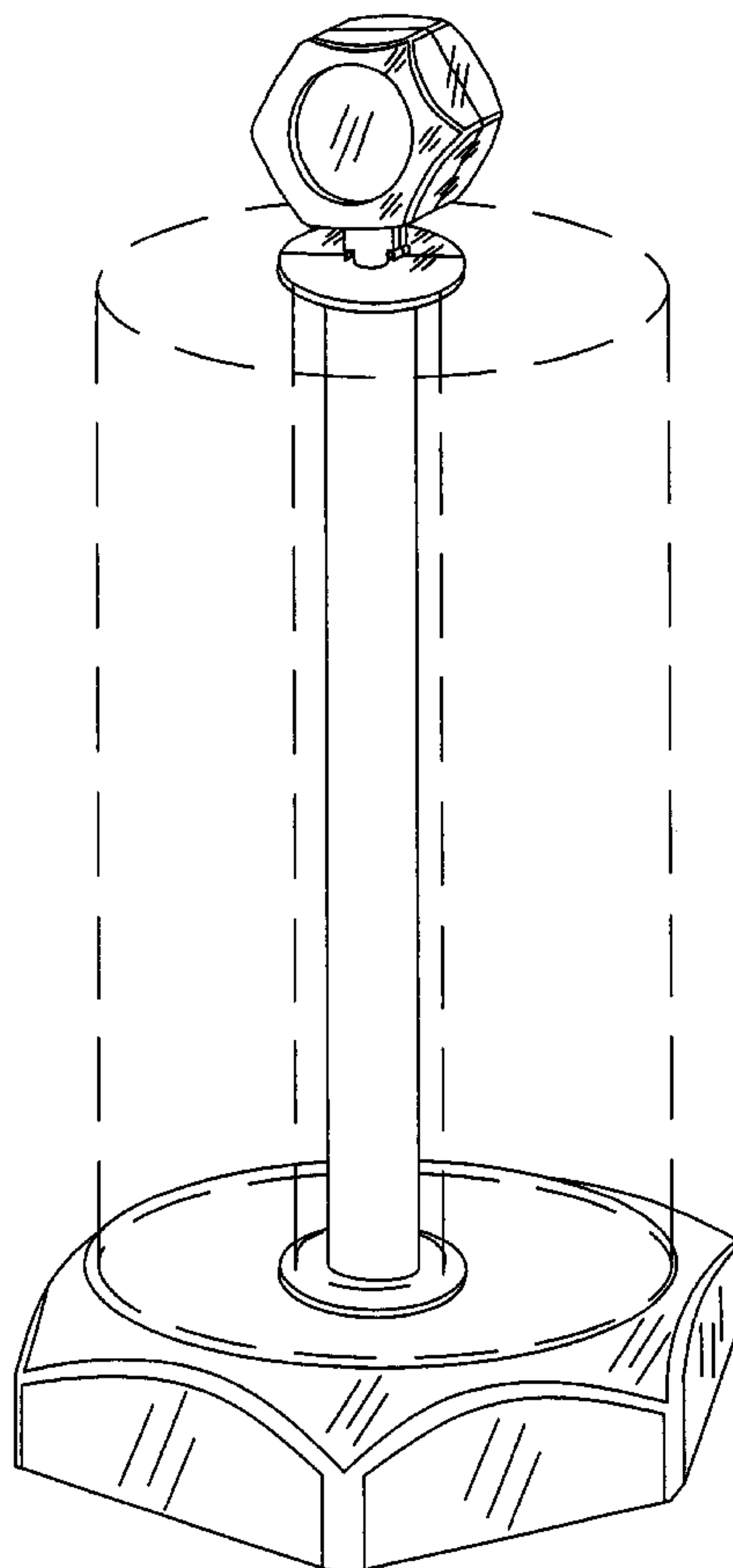
The broken line showing of a roll of paper towels in FIG. 1, FIG. 2 and FIG. 3, is for illustrative purposes only and forms no part of the claimed design.

(56) **References Cited**

**U.S. PATENT DOCUMENTS**

D283,095 S	*	3/1986	Compton	.....	D6/521
D340,822 S	*	11/1993	Morand	.....	D6/522
D432,828 S	*	10/2000	Snell	.....	D6/522
D479,072 S	*	9/2003	Duncan et al.	.....	D6/522

**1 Claim, 5 Drawing Sheets**



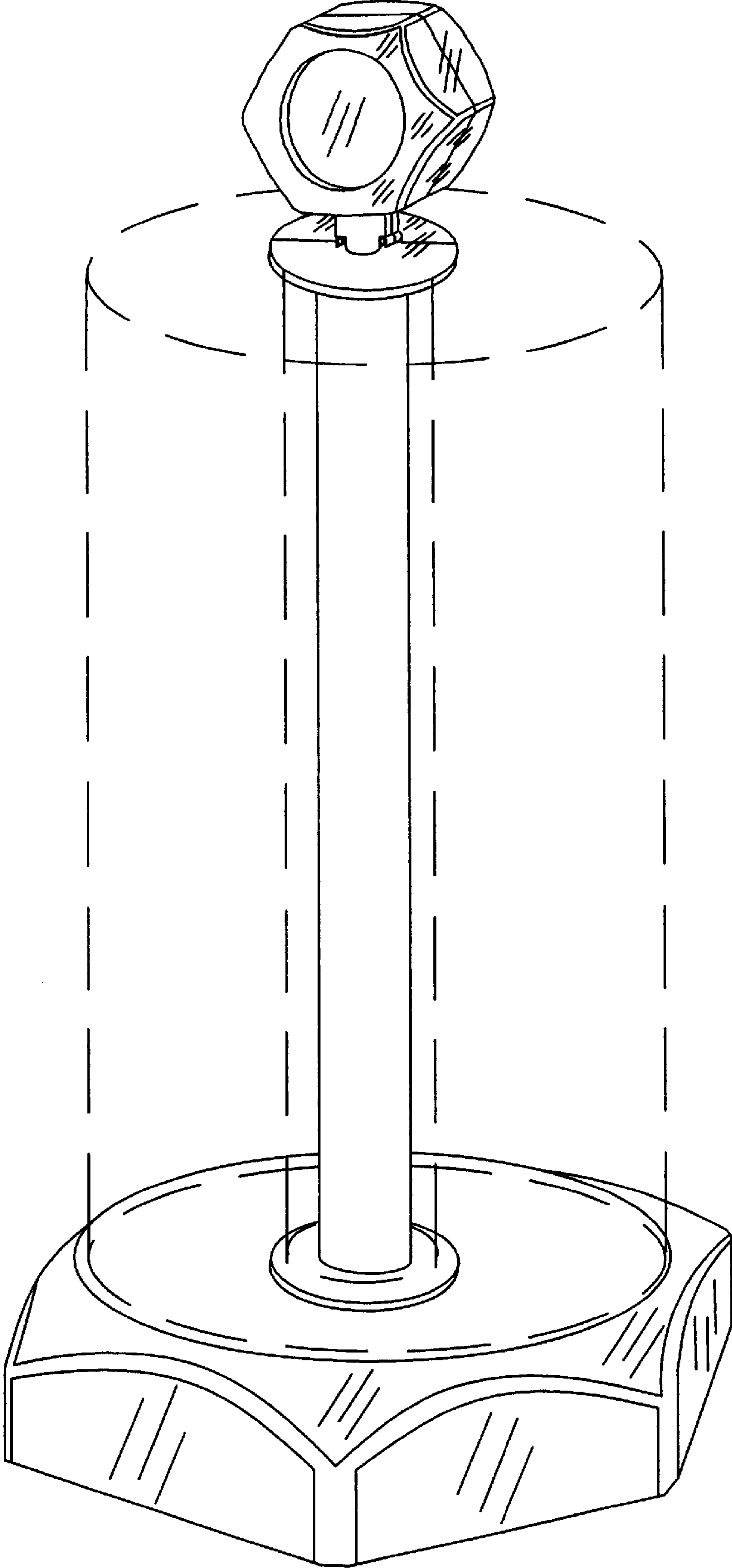


Fig. 1

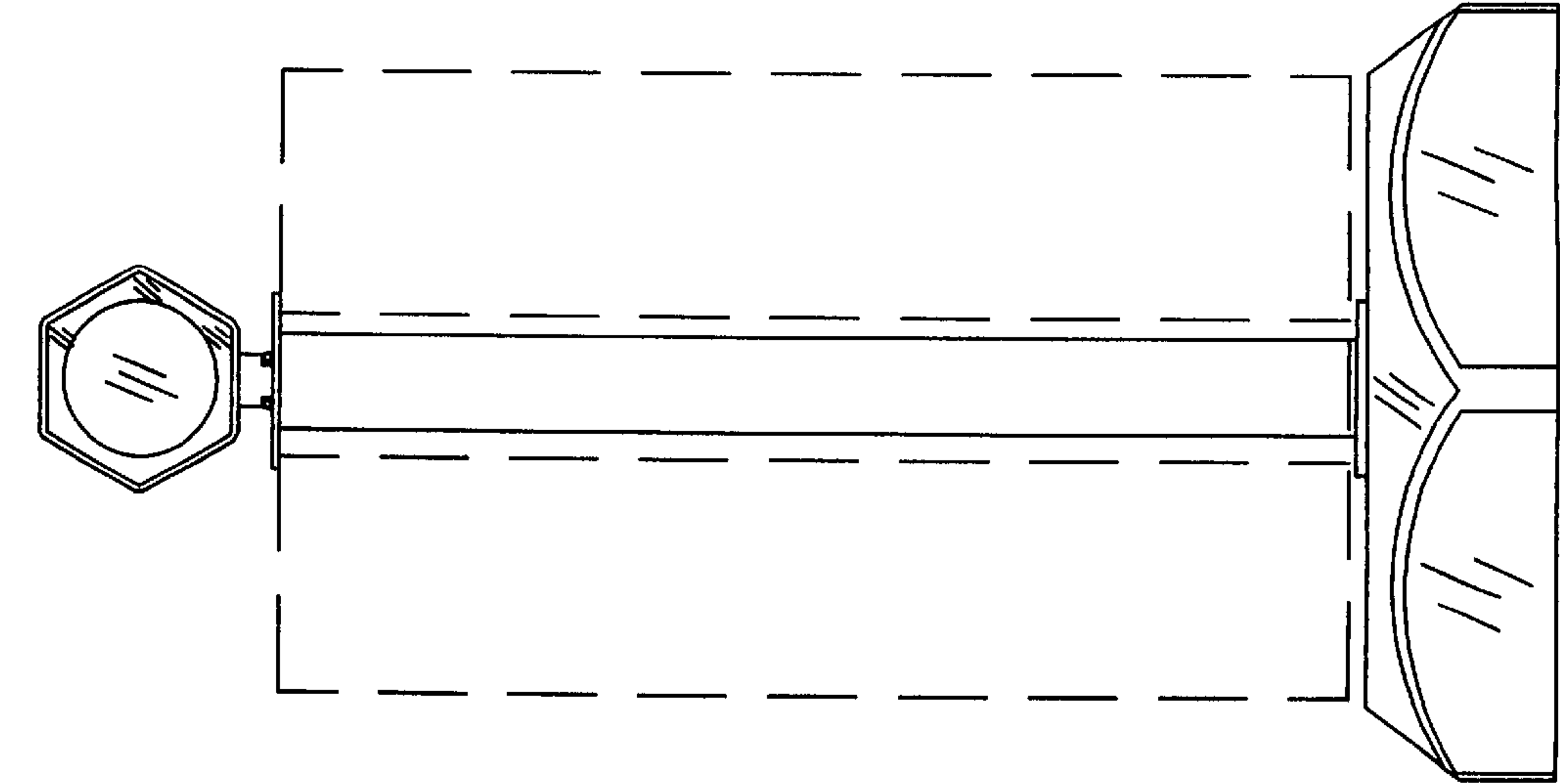


Fig. 2

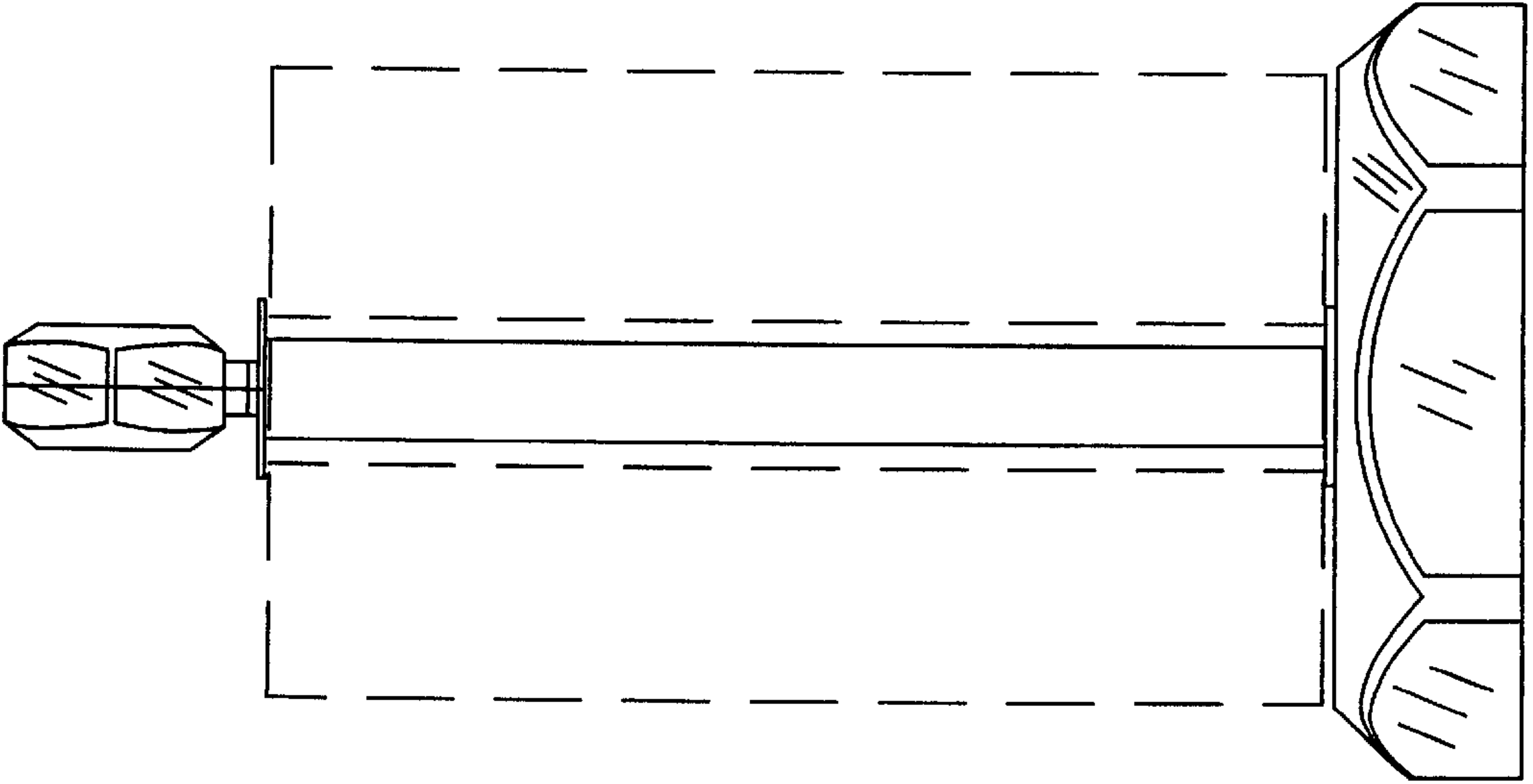


Fig. 3

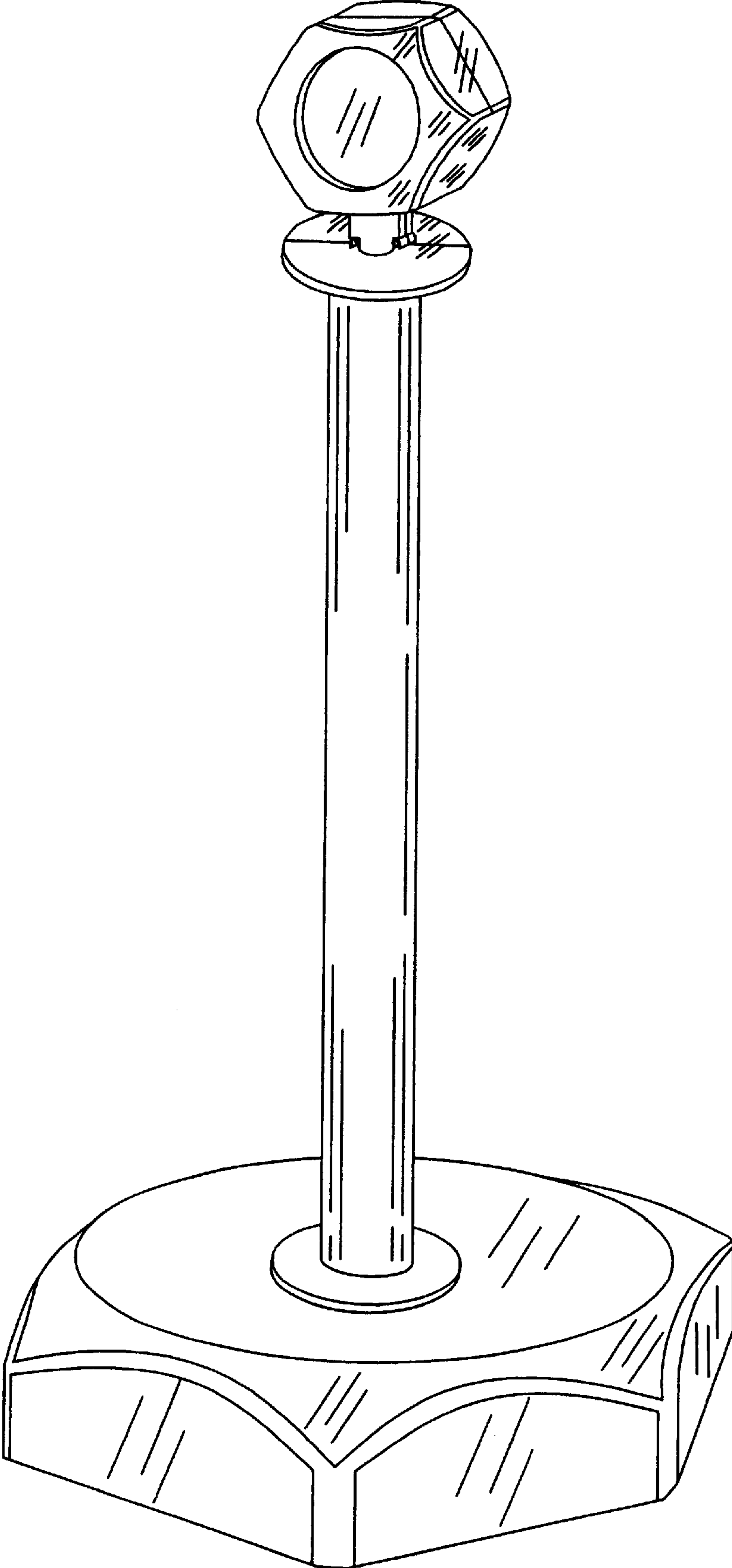


Fig. 4

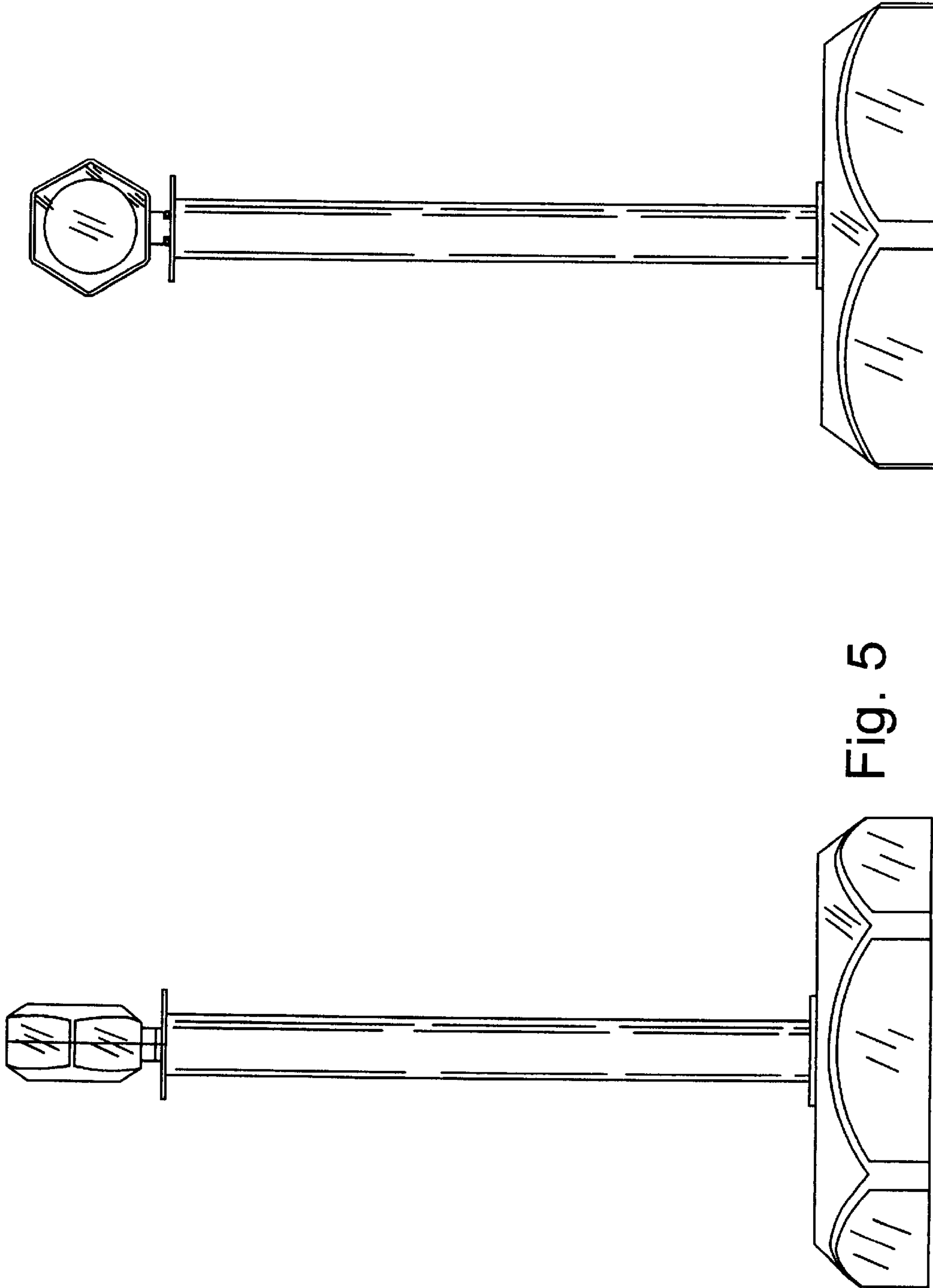


Fig. 5

Fig. 6

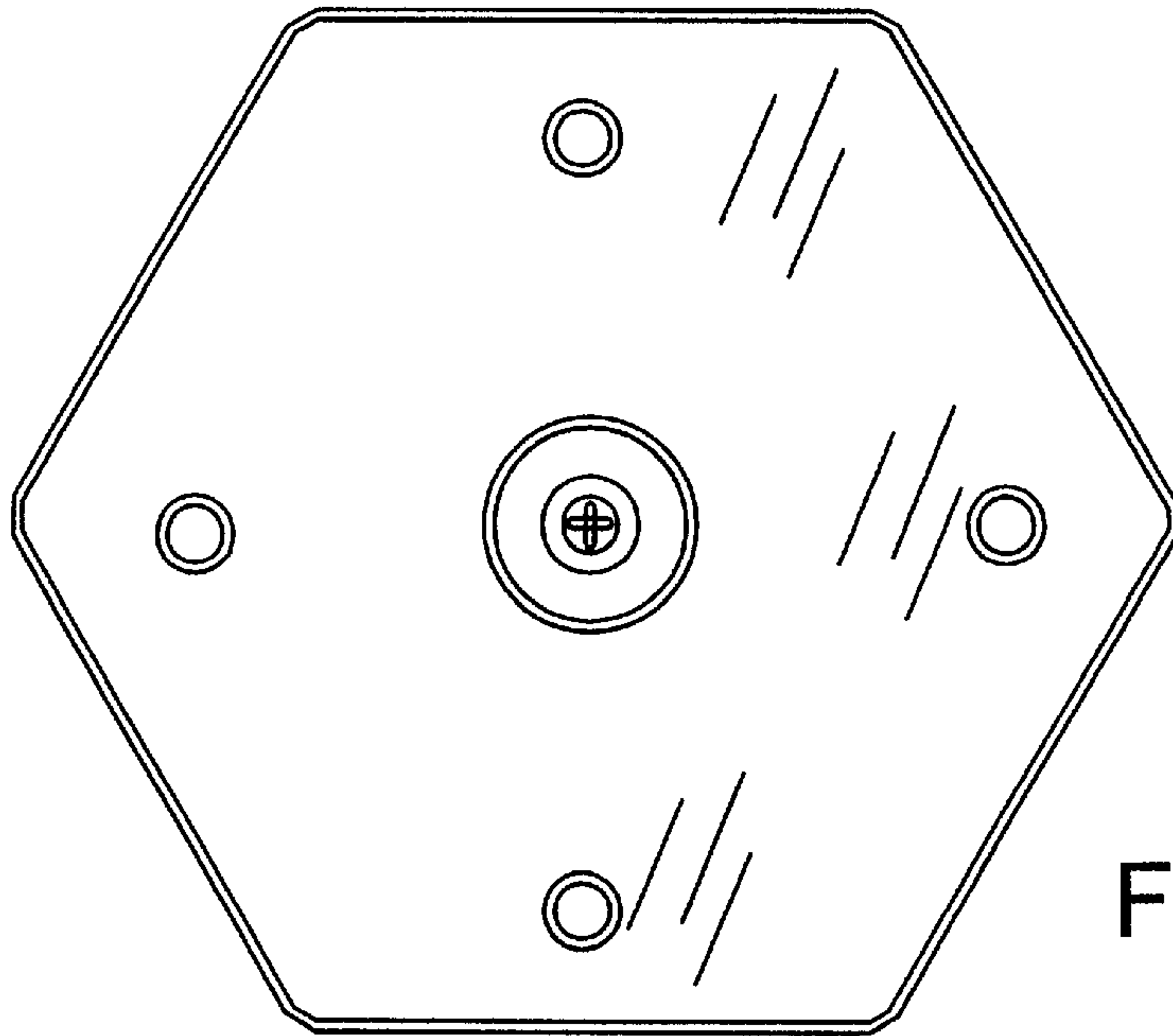


Fig. 7

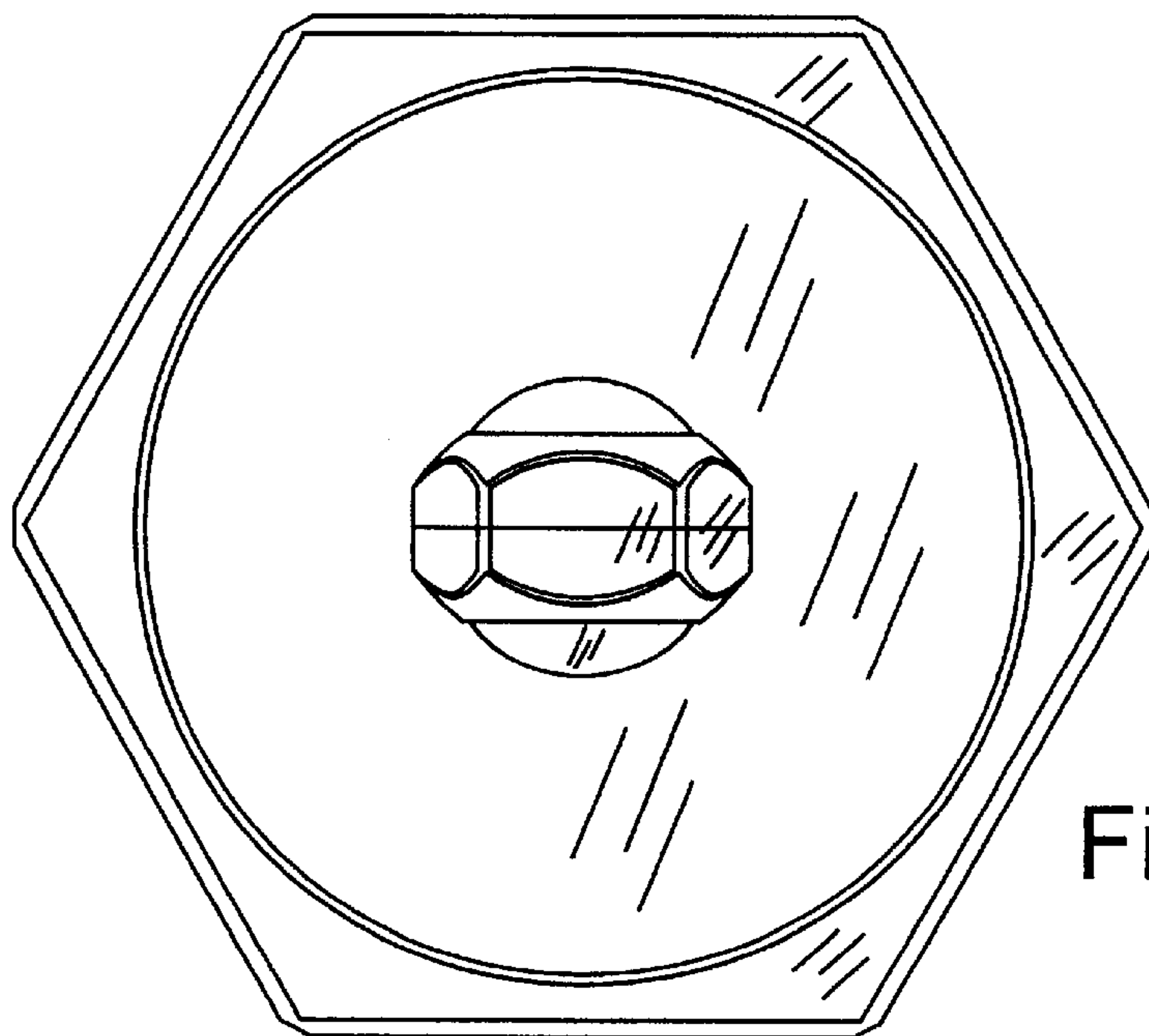


Fig. 8