

US00D507715S

(12) **United States Design Patent**
Yang et al.

(10) **Patent No.: US D507,715 S**
(45) **Date of Patent: ** Jul. 26, 2005**

(54) **UPRIGHT BAG HOLDER**
(75) Inventors: **Frank Yang**, Rancho Palos Verdes, CA (US); **Joseph Sandor**, Santa Ana Heights, CA (US); **Myk Wayne Lum**, Irvine, CA (US); **Adam C. Wade**, Rancho Santa Margarita, CA (US)

(73) Assignee: **Simplehuman LLC**, Torrance, CA (US)

(**) Term: **14 Years**

(21) Appl. No.: **29/200,976**

(22) Filed: **Mar. 5, 2004**

(51) **LOC (8) Cl.** **20-02**

(52) **U.S. Cl.** **D6/515**

(58) **Field of Search** D6/515-519; 206/425, 206/554; 221/26, 33, 45, 282, 284; 222/92, 105, 173, 180, 181.1, 181.2

(56) **References Cited**

U.S. PATENT DOCUMENTS

4,537,330 A	8/1985	Gelbard	
4,574,981 A	3/1986	Jewett	
4,623,073 A	11/1986	Hansen	
D312,178 S	* 11/1990	Fautley D6/515
5,002,200 A	3/1991	Hunt	
5,042,687 A	8/1991	McKinley	
D329,344 S	9/1992	Carillo	

5,285,927 A	2/1994	Pruitt	
5,386,910 A	* 2/1995	Liss 206/554
D358,325 S	* 5/1995	McNaughton D9/414
5,511,691 A	4/1996	West, Jr.	
D397,566 S	9/1998	Choiniere et al.	
D419,010 S	1/2000	Hansen et al.	
6,401,971 B1	6/2002	Edwards et al.	
D475,873 S	6/2003	Mello	
D482,915 S	* 12/2003	Yang et al. D6/515
2002/0145004 A1	10/2002	Bennett et al.	

* cited by examiner

Primary Examiner—Brian N Vinson

(74) *Attorney, Agent, or Firm*—Liu & Liu

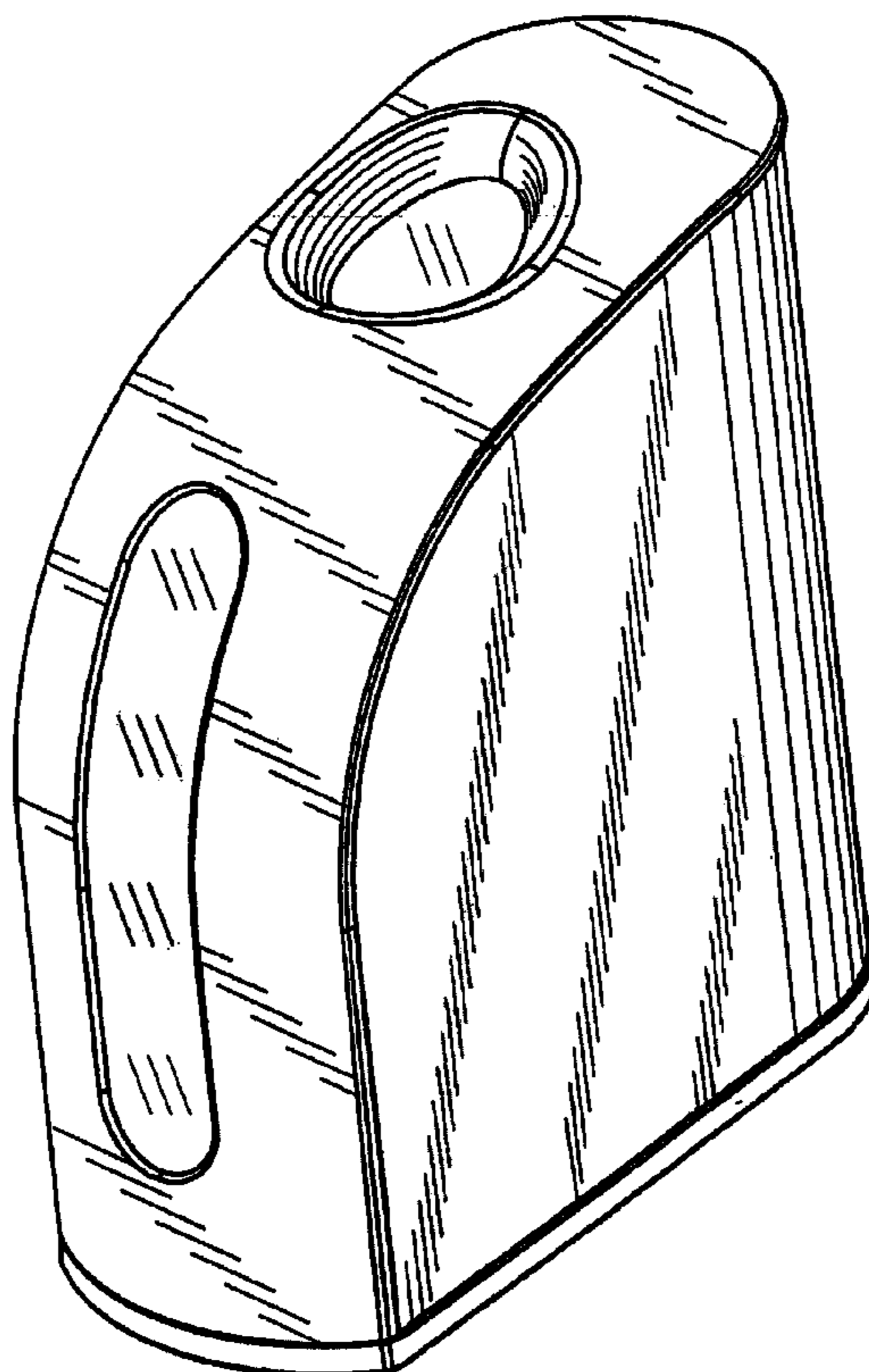
(57) **CLAIM**

The ornamental design for the upright bag holder, as shown and described.

DESCRIPTION

FIG. 1 is a left side elevation view of an upright bag holder showing our new design;
FIG. 2 is a left side view thereof;
FIG. 3 is a front perspective view thereof;
FIG. 4 is a rear view thereof;
FIG. 5 is a top plan view thereof;
FIG. 6 is a bottom plan thereof; and,
FIG. 7 is a right side view thereof.

1 Claim, 7 Drawing Sheets



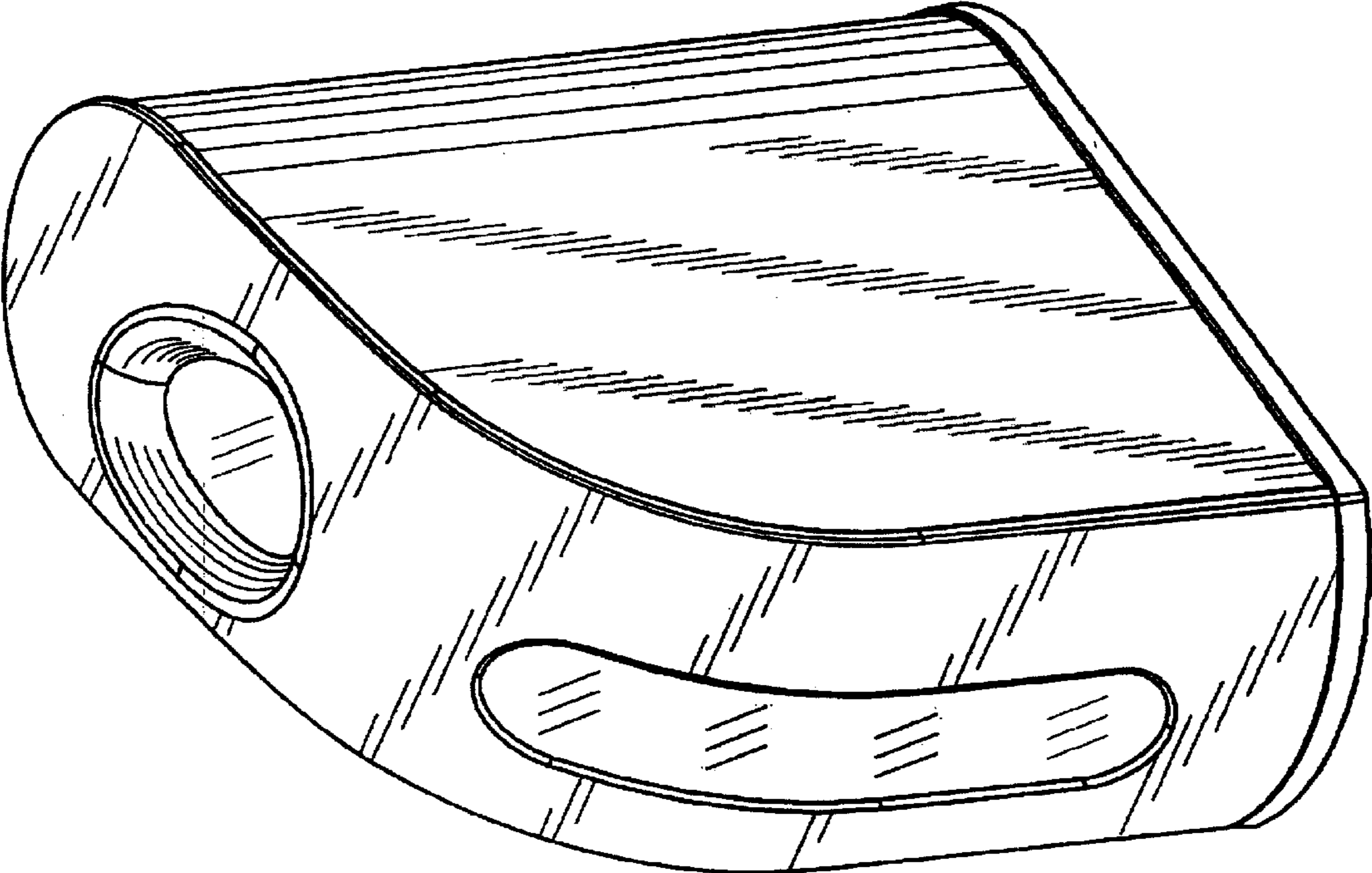


FIG. 1

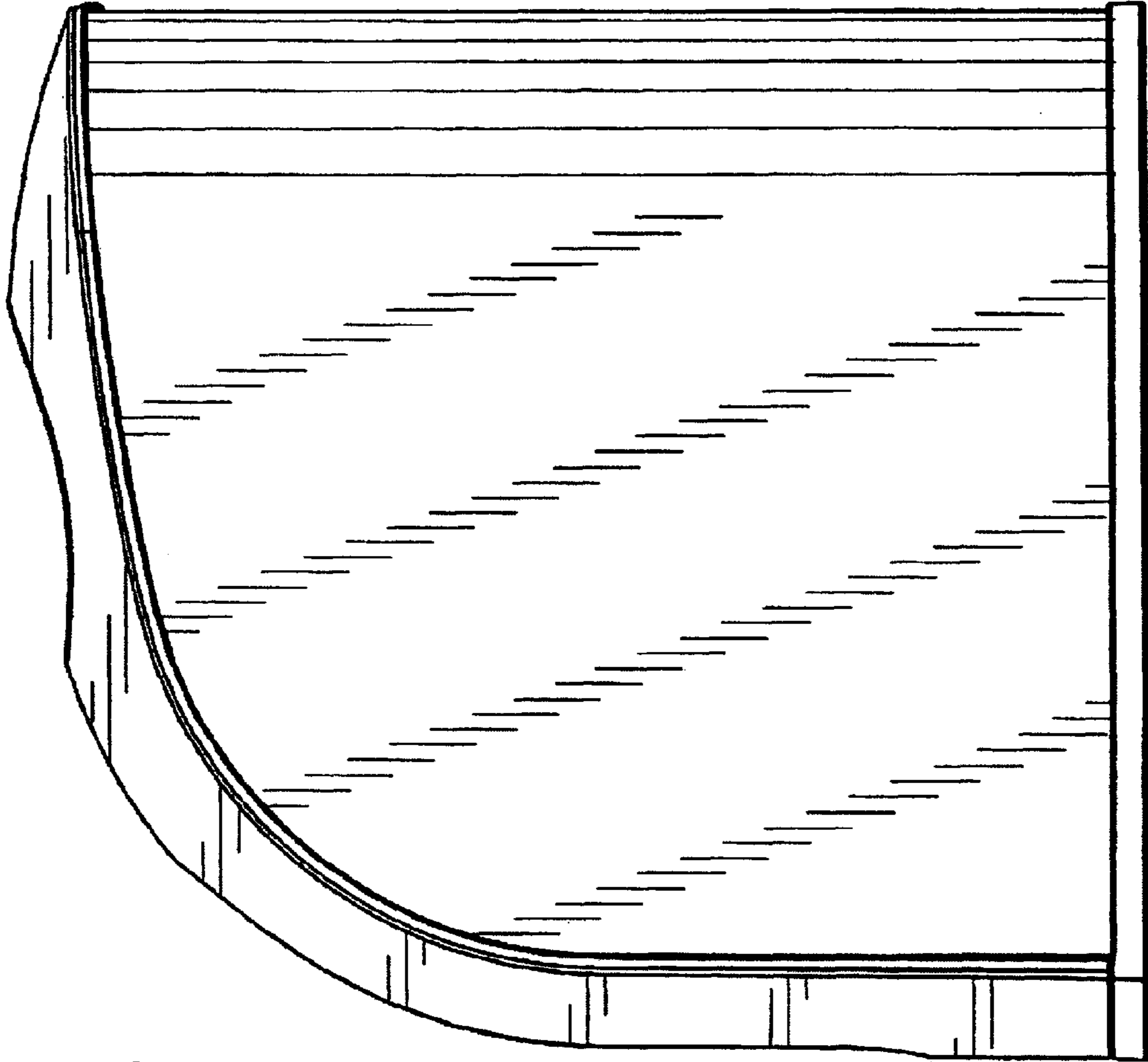


FIG. 2

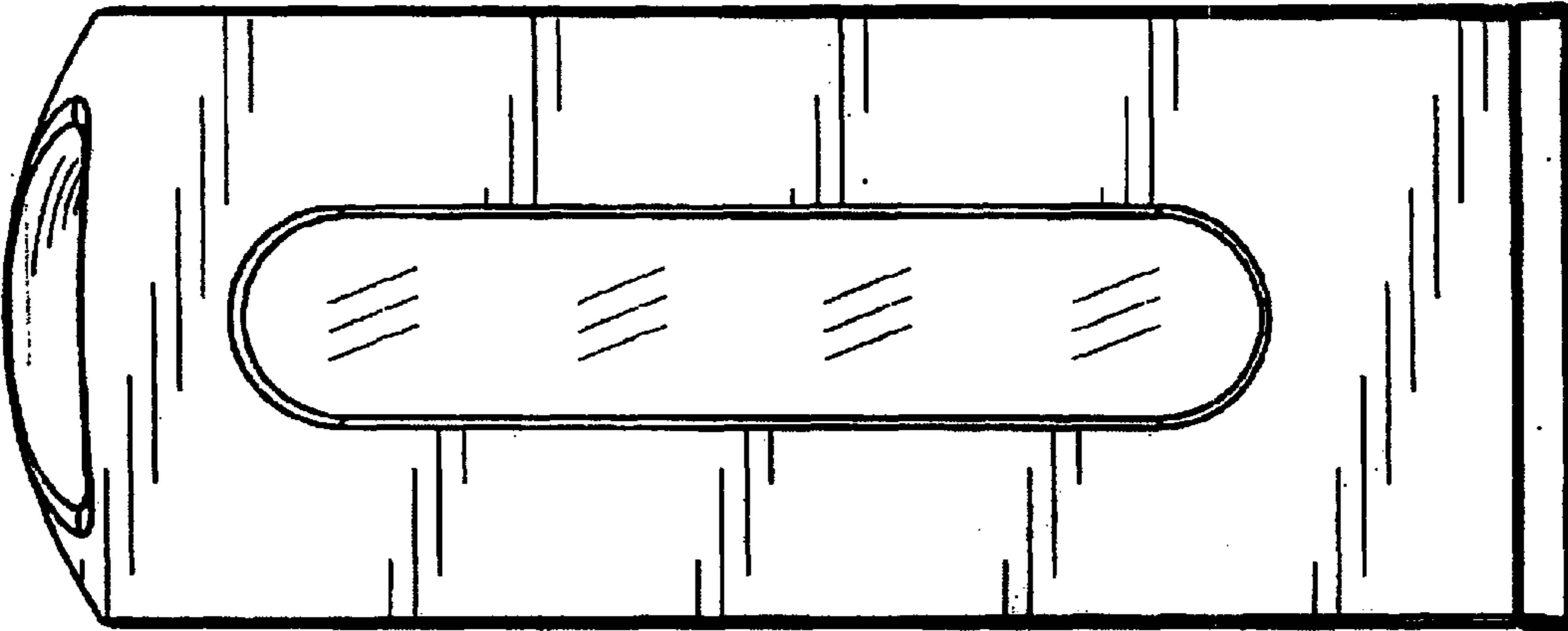


FIG. 3

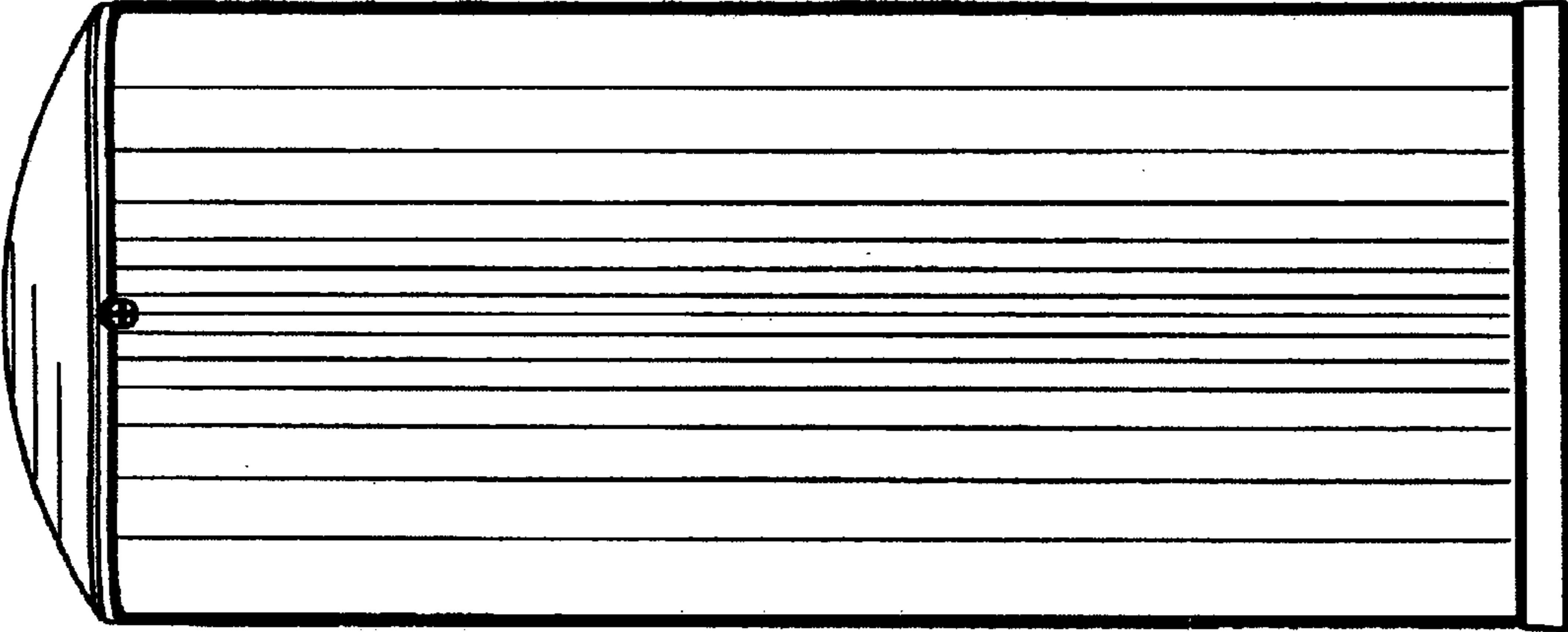


FIG. 4

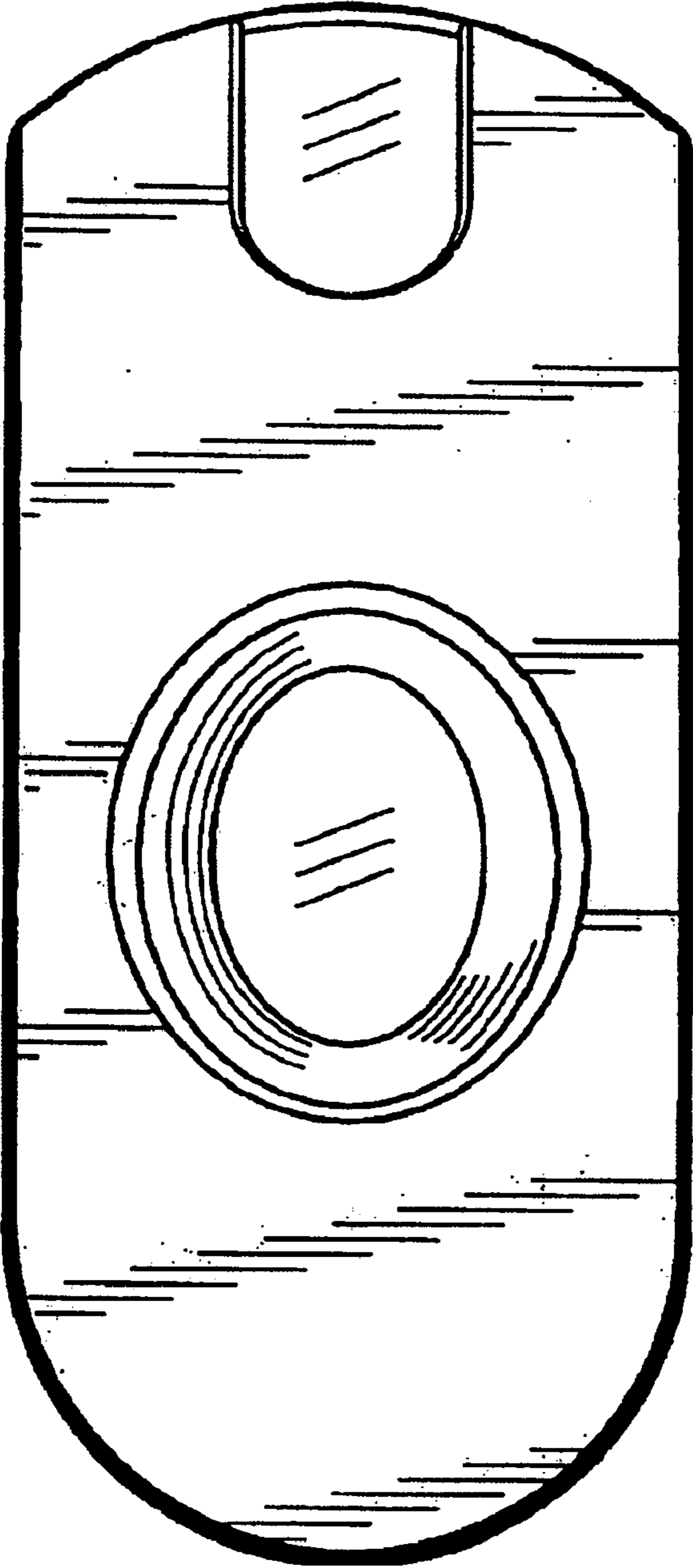


FIG. 5

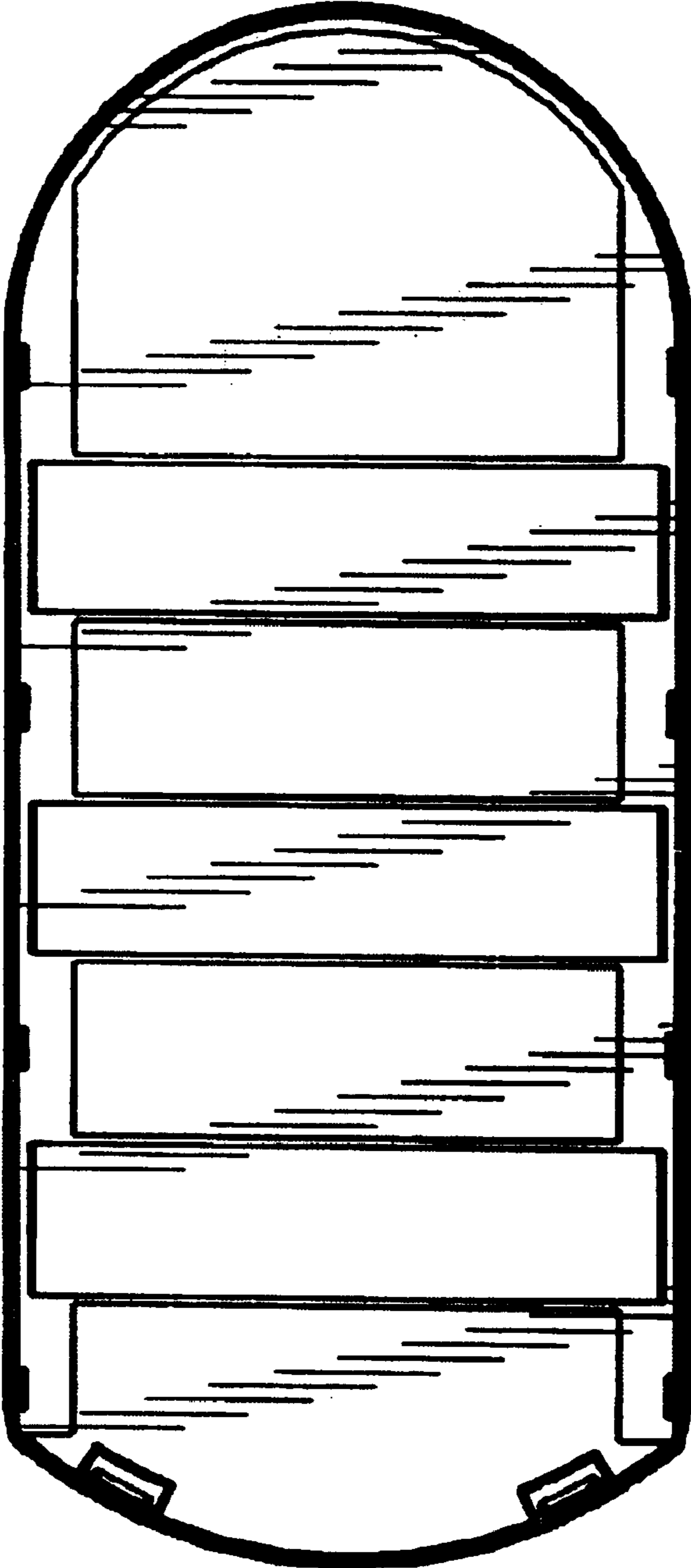


FIG. 6

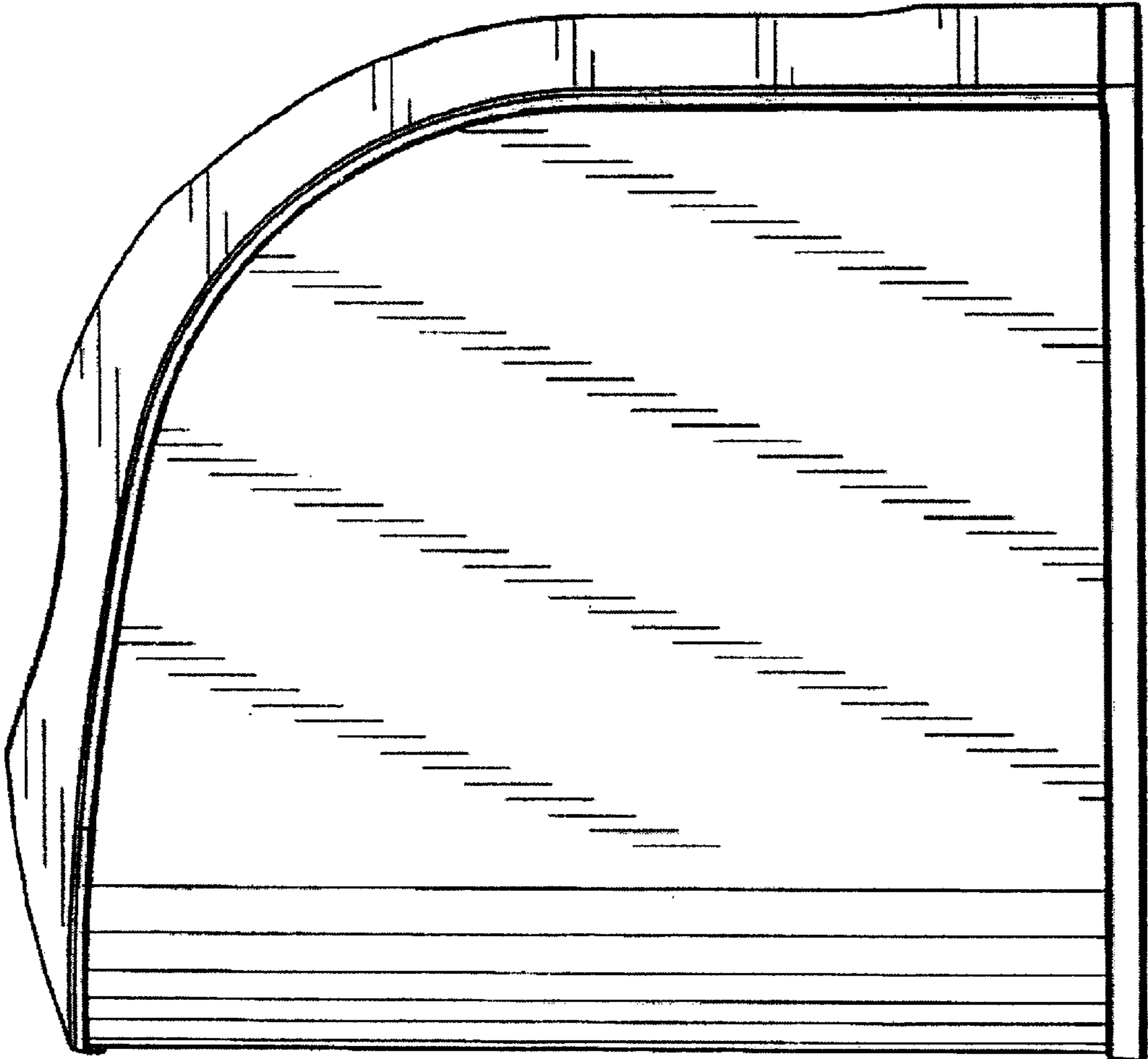


FIG. 7