



US00D507714S

(12) **United States Design Patent**  
**Mohundro**

(10) **Patent No.:** **US D507,714 S**  
(45) **Date of Patent:** **\*\* Jul. 26, 2005**

(54) **BED FOOTBOARD**

D449,178 S \* 10/2001 Wanek et al. .... D6/393

(75) **Inventor:** **James Glenn Mohundro, Taichung (TW)**

**OTHER PUBLICATIONS**

Furniture South, Apr. 1982, p. 4, bed.\*

(73) **Assignee:** **Pacific Marketing International (H.K.), Ltd., Taichung (TW)**

\* cited by examiner

(\*\*) **Term:** **14 Years**

*Primary Examiner*—Janice E. Seeger

(74) *Attorney, Agent, or Firm*—Rosenberg, Klein & Lee

(21) **Appl. No.:** **29/203,355**

(57) **CLAIM**

(22) **Filed:** **Apr. 14, 2004**

The ornamental design for a bed footboard, as shown and described.

(51) **LOC (8) Cl.** ..... **06-06**

**DESCRIPTION**

(52) **U.S. Cl.** ..... **D6/505**

(58) **Field of Search** ..... D6/382–384, 388, D6/389, 392–395, 505, 508; 5/53.1, 9.1, 279.1, 280, 281, 907, 310

FIG. 1 is a perspective view of a bed footboard, showing my new design;

FIG. 2 is a front elevational view thereof;

FIG. 3 is a rear elevational view thereof;

FIG. 4 is a left elevational view thereof;

FIG. 5 is a right elevational view thereof;

FIG. 6 is a top plan view thereof; and,

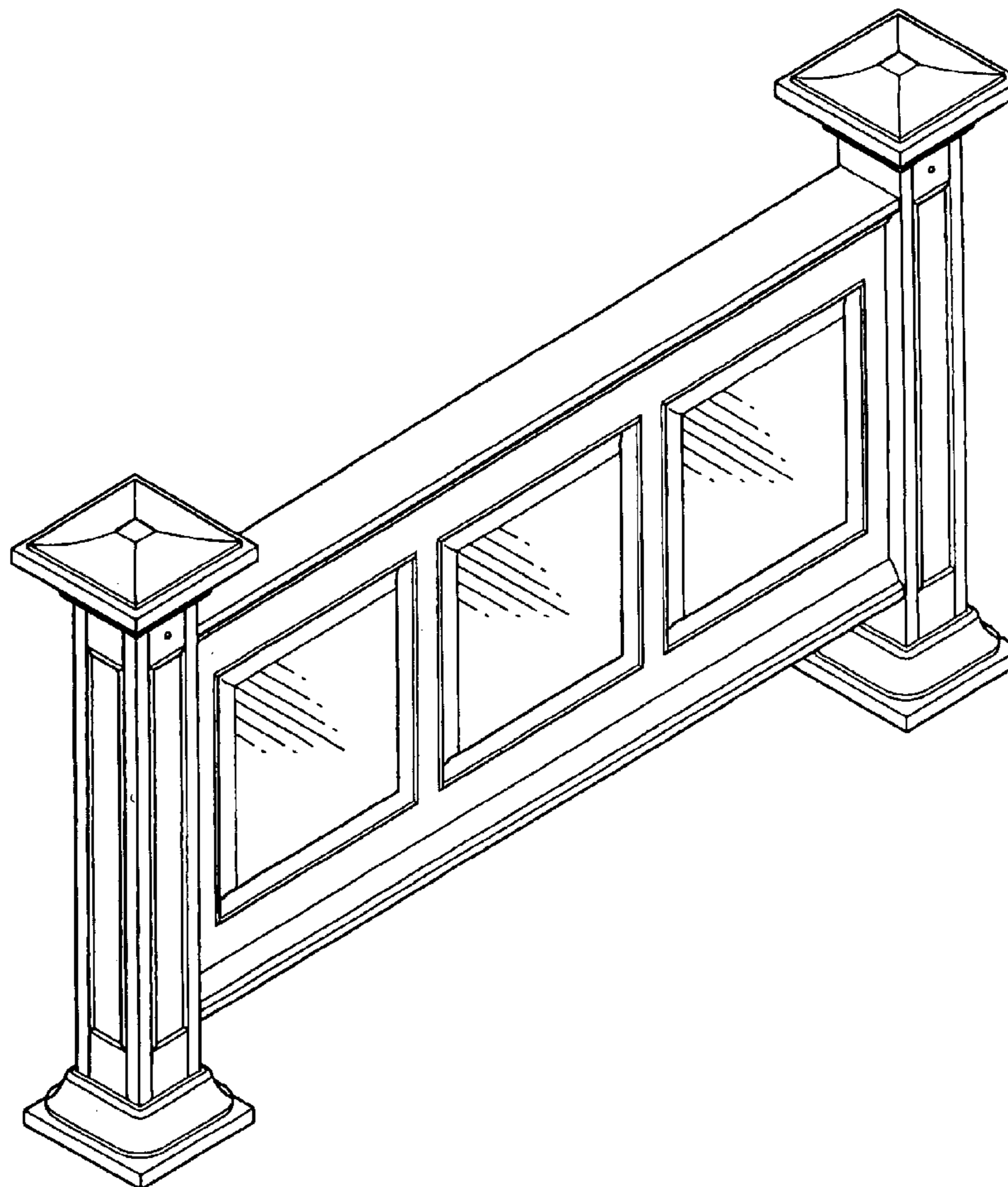
FIG. 7 is a bottom plan view thereof.

(56) **References Cited**

**U.S. PATENT DOCUMENTS**

- D368,178 S \* 3/1996 Walters et al. .... D6/393
- D400,379 S \* 11/1998 Hazen et al. .... D6/505
- D404,217 S \* 1/1999 Zaidman et al. .... D6/393

**1 Claim, 5 Drawing Sheets**



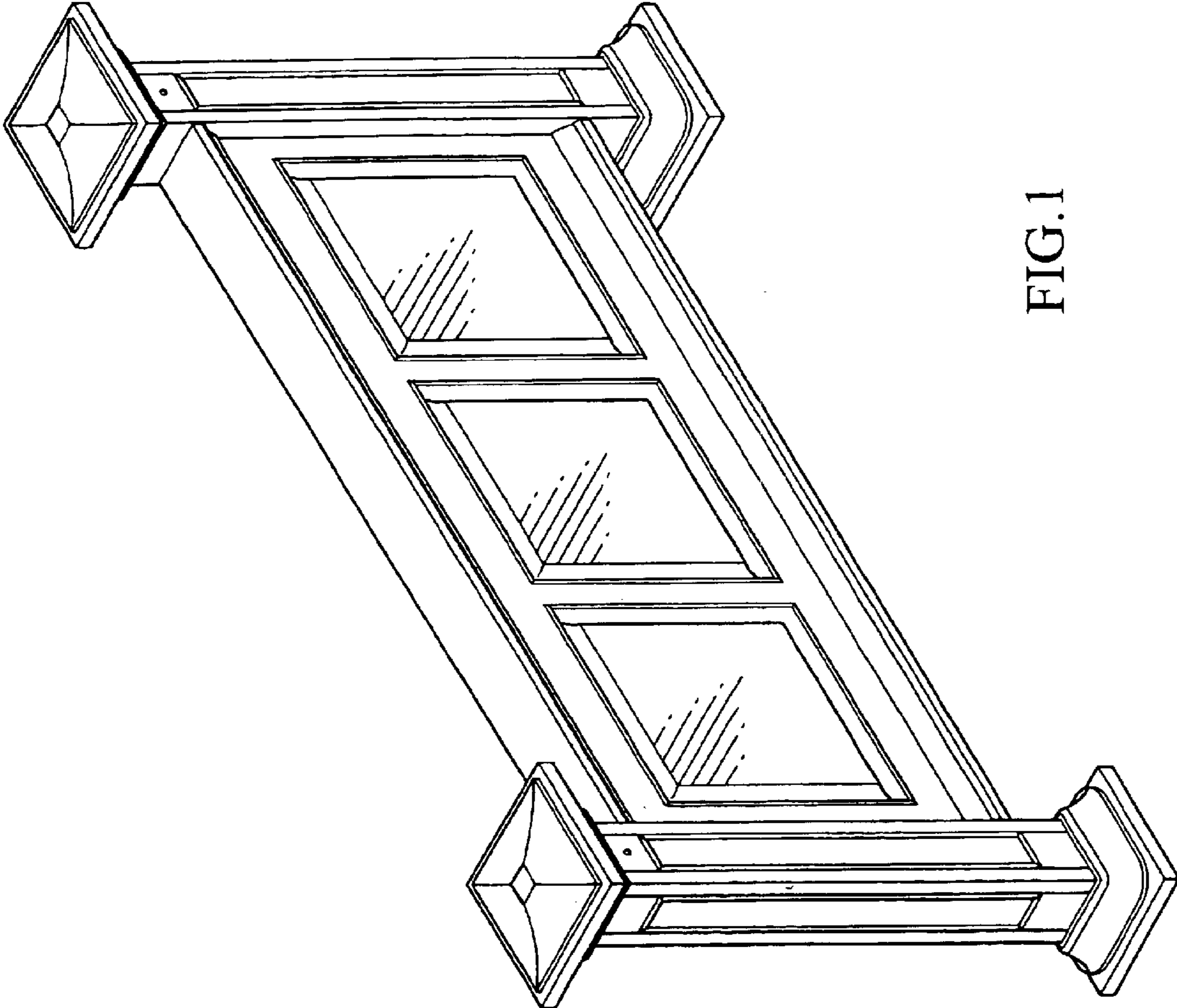


FIG.1

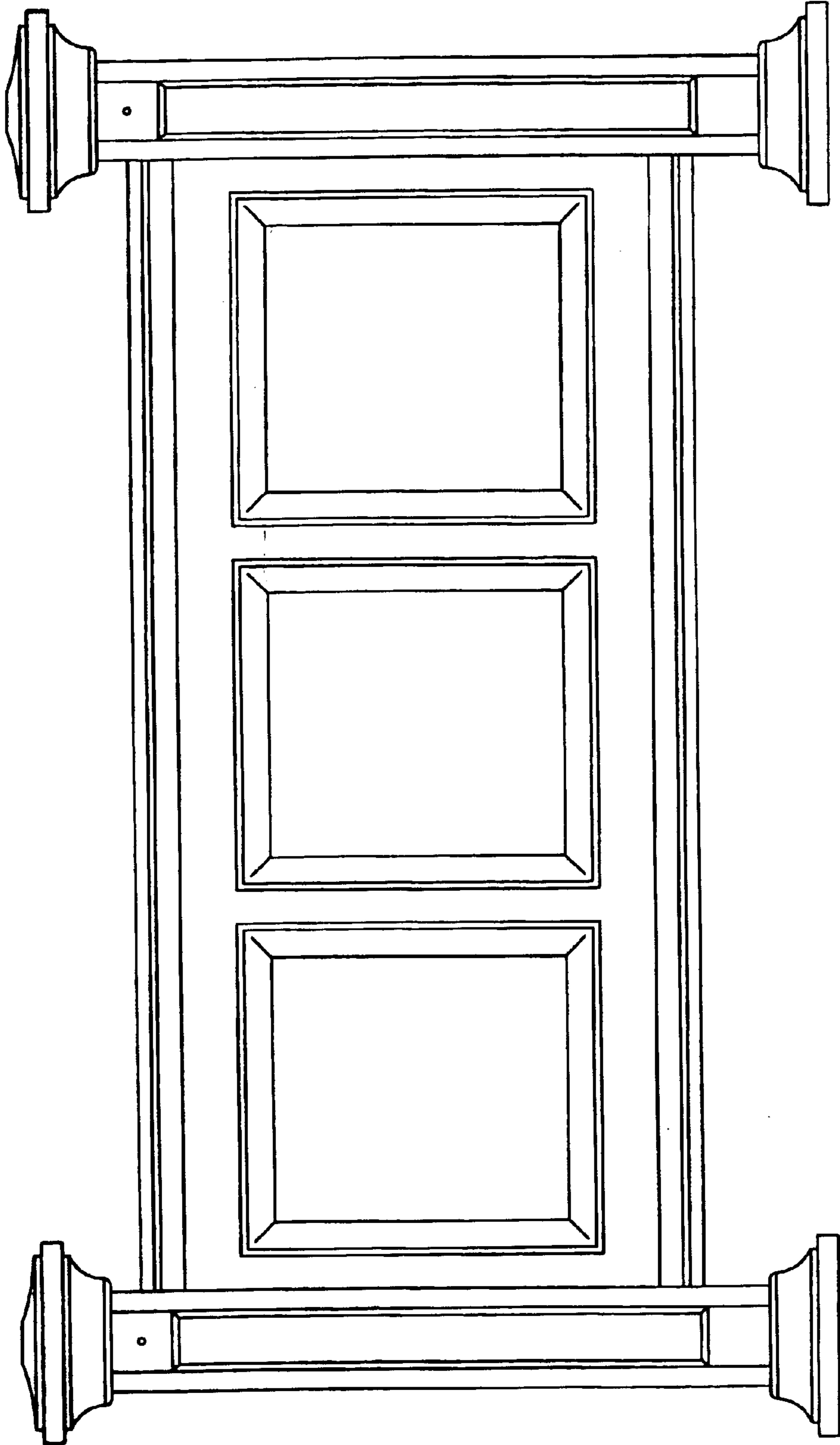


FIG.2

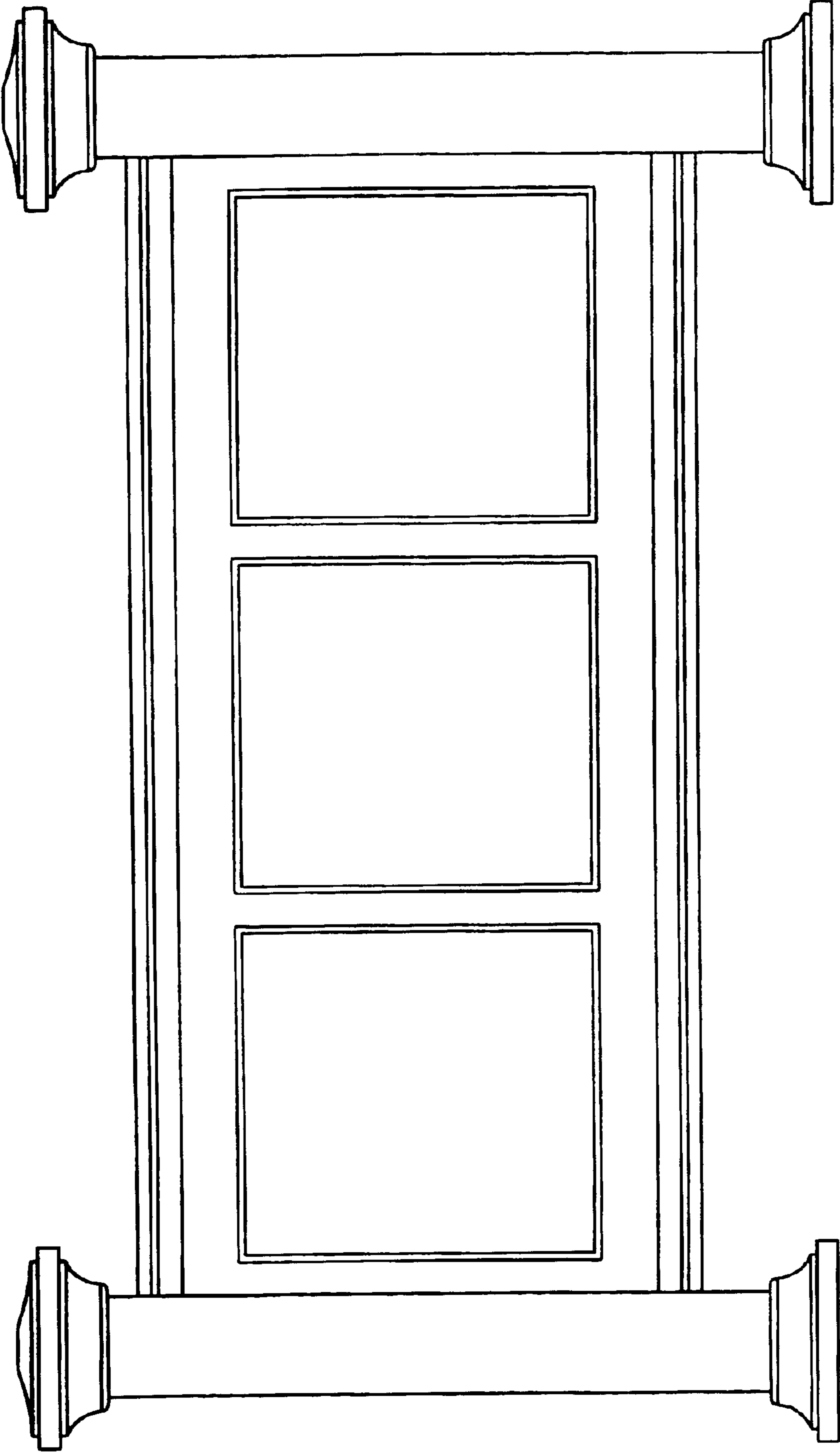


FIG.3

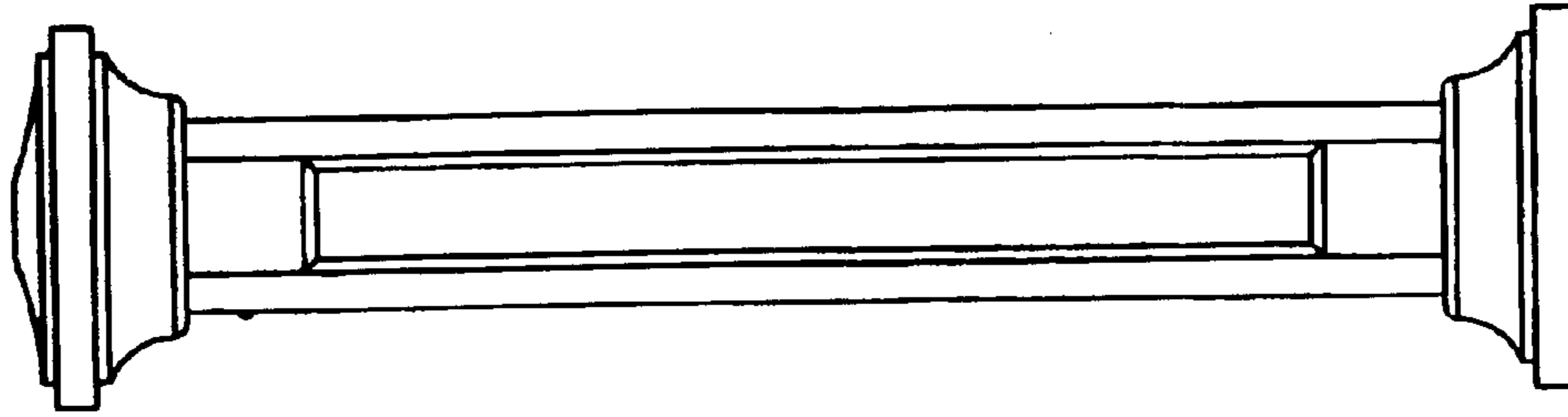


FIG. 5

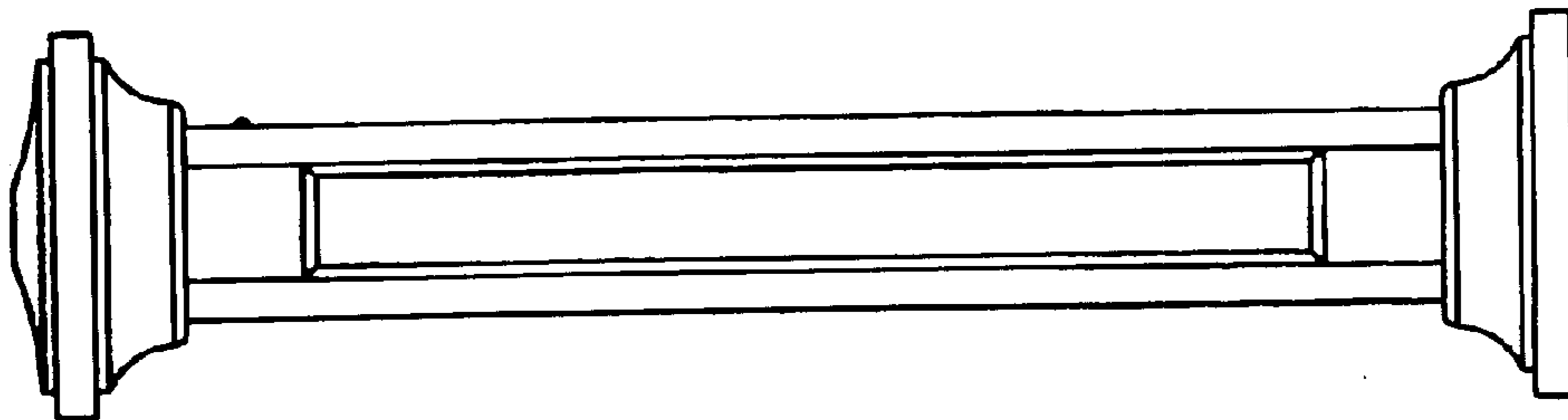


FIG. 4

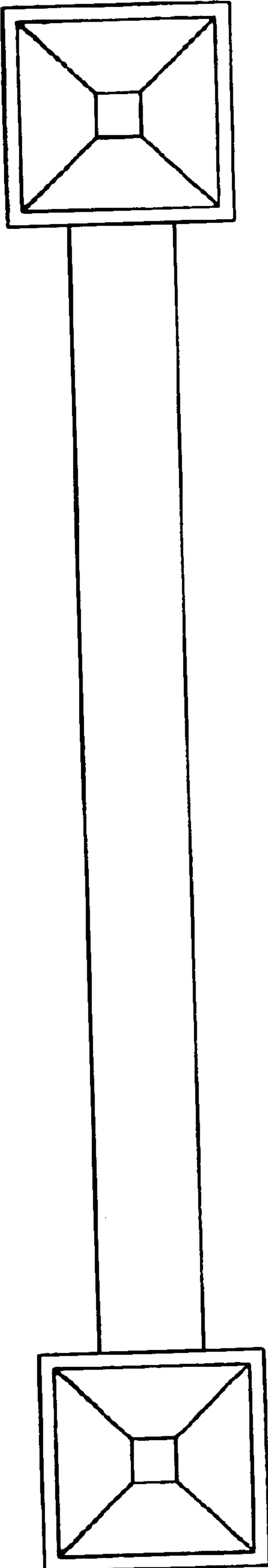


FIG. 6

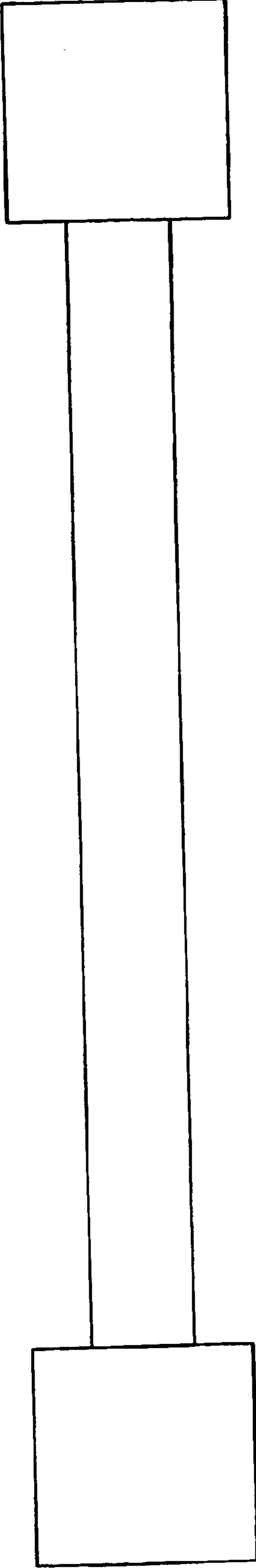


FIG. 7