



US00D507711S

(12) **United States Design Patent**  
**Bars**

(10) **Patent No.:** **US D507,711 S**

(45) **Date of Patent:** **\*\* Jul. 26, 2005**

(54) **PEDESTAL BASE**

(76) **Inventor:** **James R. Bars**, P.O. Box 276, Cove,  
OR (US) 97824

(\*\*) **Term:** **14 Years**

(21) **Appl. No.:** **29/212,509**

(22) **Filed:** **Sep. 1, 2004**

(51) **LOC (8) Cl.** ..... **06-06**

(52) **U.S. Cl.** ..... **D6/498; D6/366**

(58) **Field of Search** ..... D6/334, 335, 364-367,  
D6/498, 500-502; 248/188, 188.1, 188.6,  
188.7, 188.8, 188.9; 297/344.18, 411.2,  
463.1

(56) **References Cited**

**U.S. PATENT DOCUMENTS**

D229,146 S	*	11/1973	Kipp et al.	.....	D6/498
D267,384 S	*	12/1982	Faull	.....	D6/498
D292,351 S	*	10/1987	Brossard et al.	.....	D6/366
D350,032 S	*	8/1994	Beaulieu	.....	D6/366
D388,258 S	*	12/1997	Ambasz	.....	D6/366
D475,871 S	*	6/2003	Tsai	.....	D6/498

D483,192 S \* 12/2003 Frenkler et al. .... D6/366

\* cited by examiner

*Primary Examiner*—Mimosa De

(74) *Attorney, Agent, or Firm*—Olson & Olson

(57) **CLAIM**

The ornamental design for a pedestal base, as shown and described.

**DESCRIPTION**

FIG. 1 is a top perspective view of a design for a pedestal base, a pedestal component being shown in broken lines to disclose the environment related to the design embodying this invention, the pedestal component serving to support a table top, seat or other object above the base.

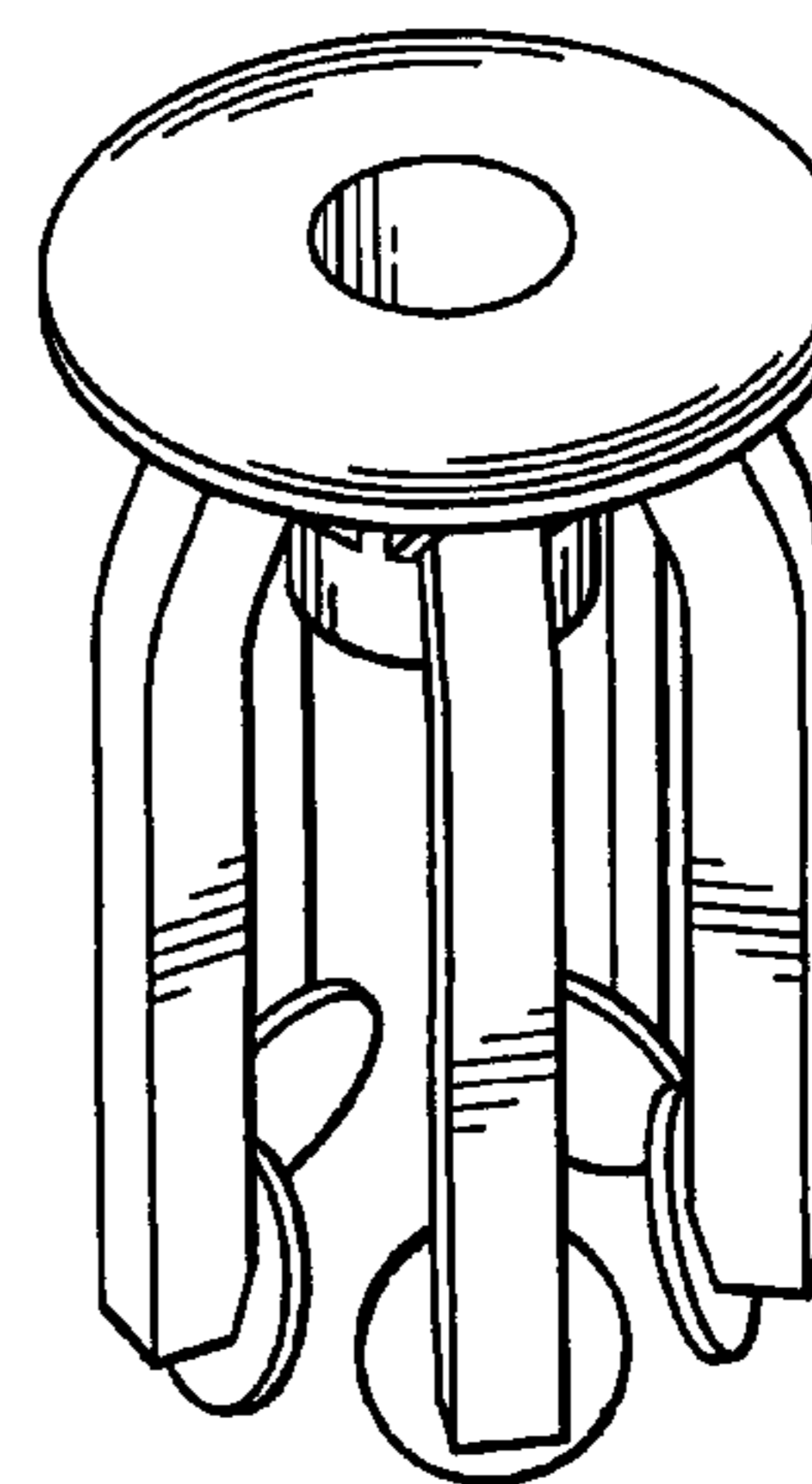
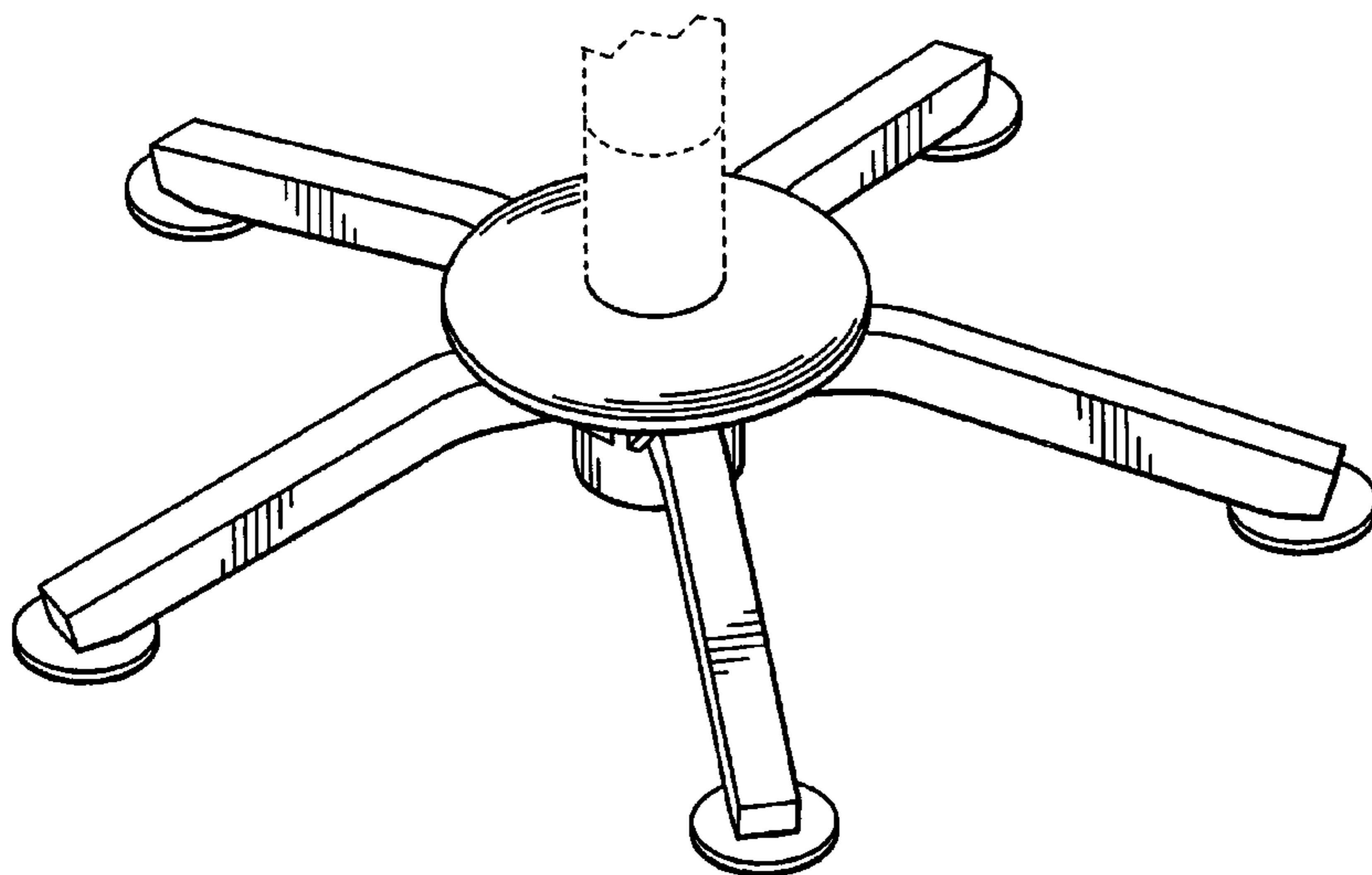
FIG. 2 is a side elevation as viewed from the bottom in FIG. 3.

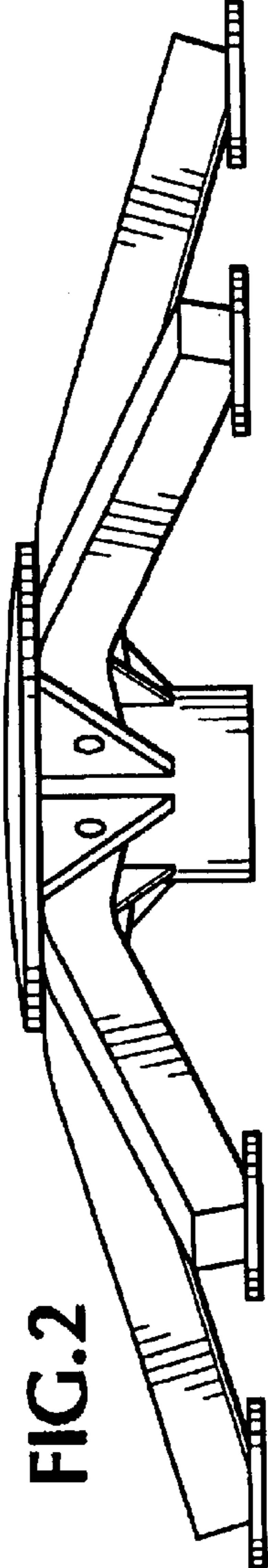
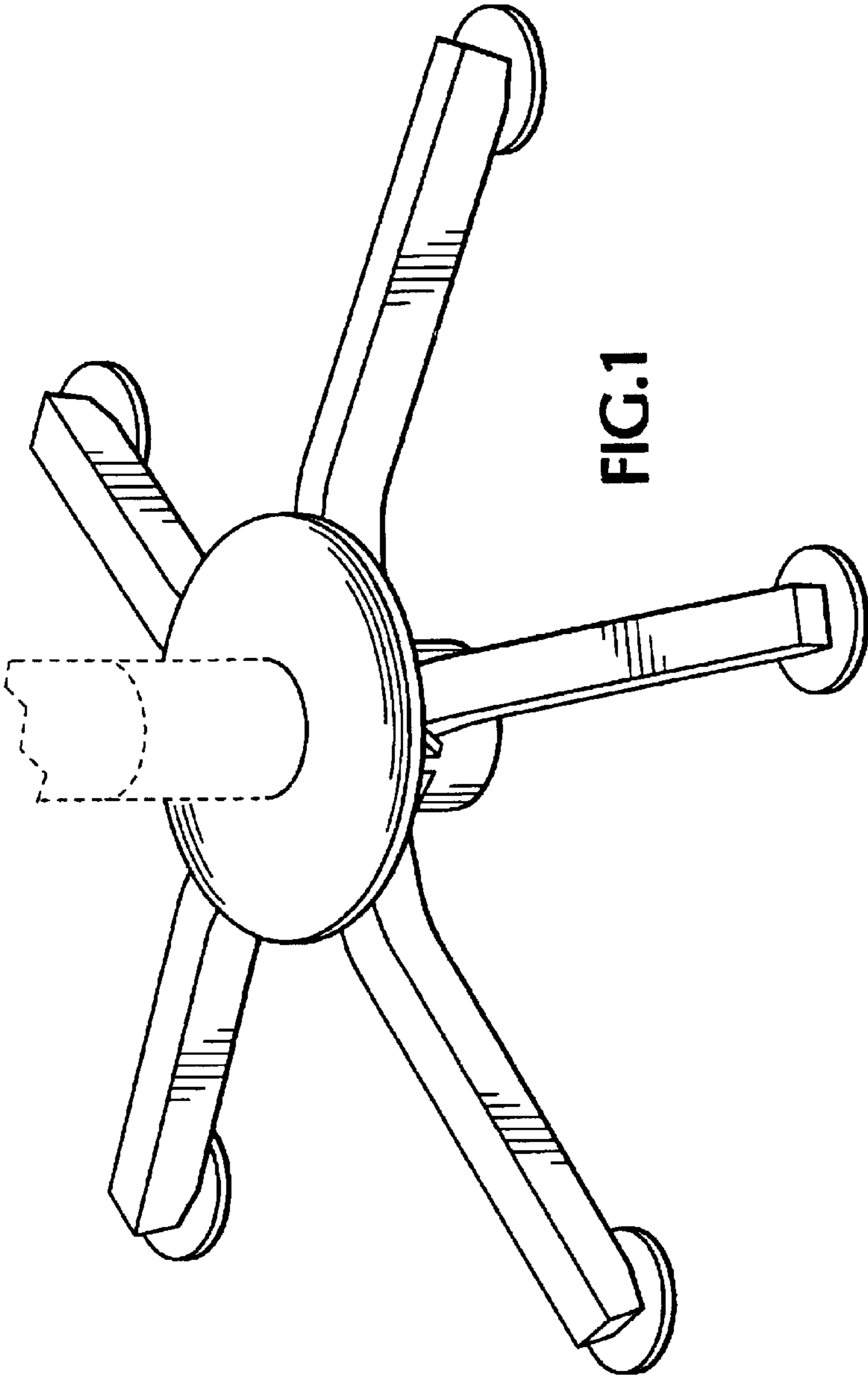
FIG. 3 is a top plan view of the design shown in FIG. 1.

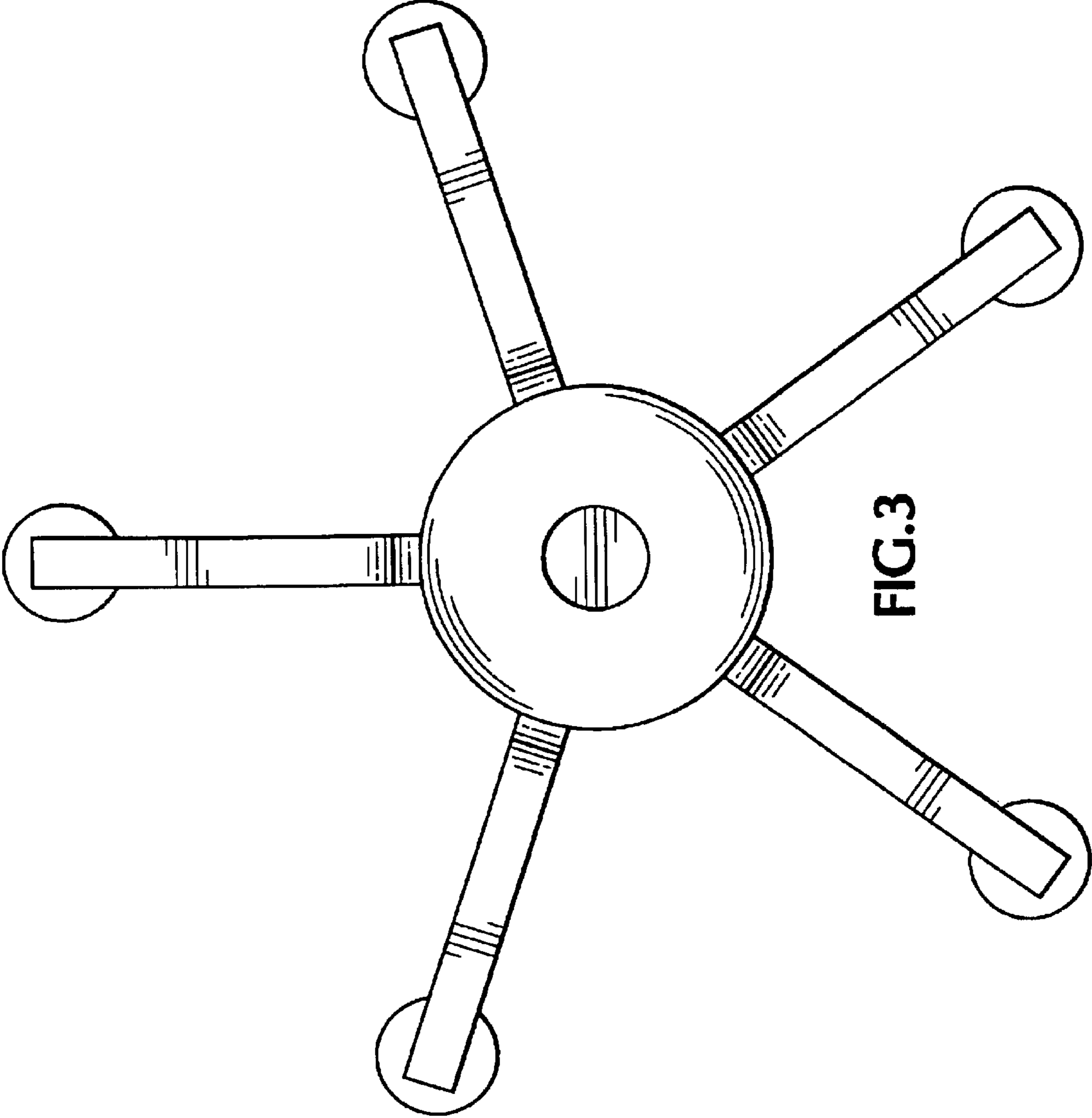
FIG. 4 is a bottom plan view as viewed from the bottom in FIG. 2; and,

FIG. 5 is a perspective view of the embodiment of FIGS. 1-4 with the arms of the base folded downwardly from the radially extended position of FIG. 2.

**1 Claim, 3 Drawing Sheets**







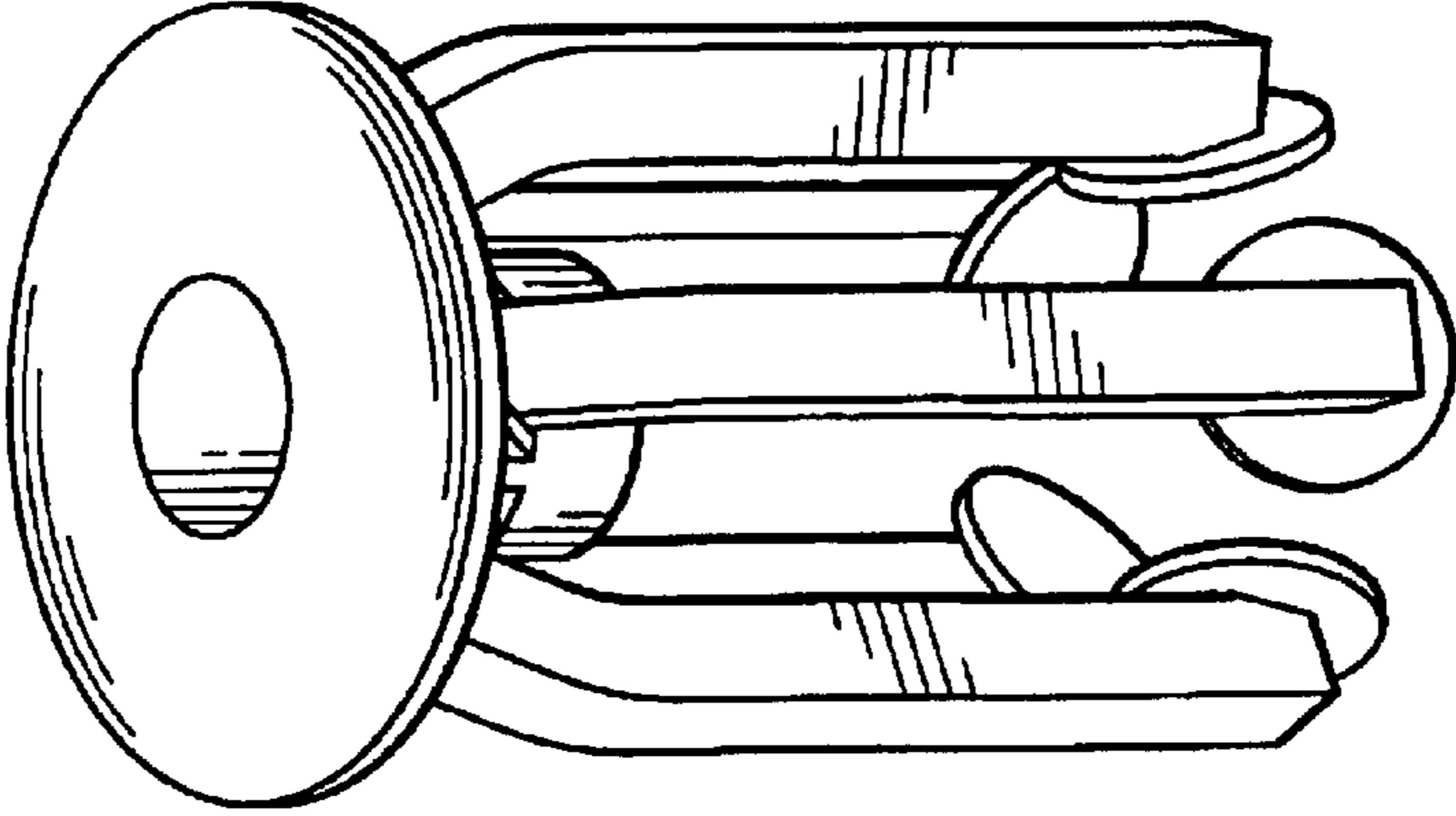


FIG. 5

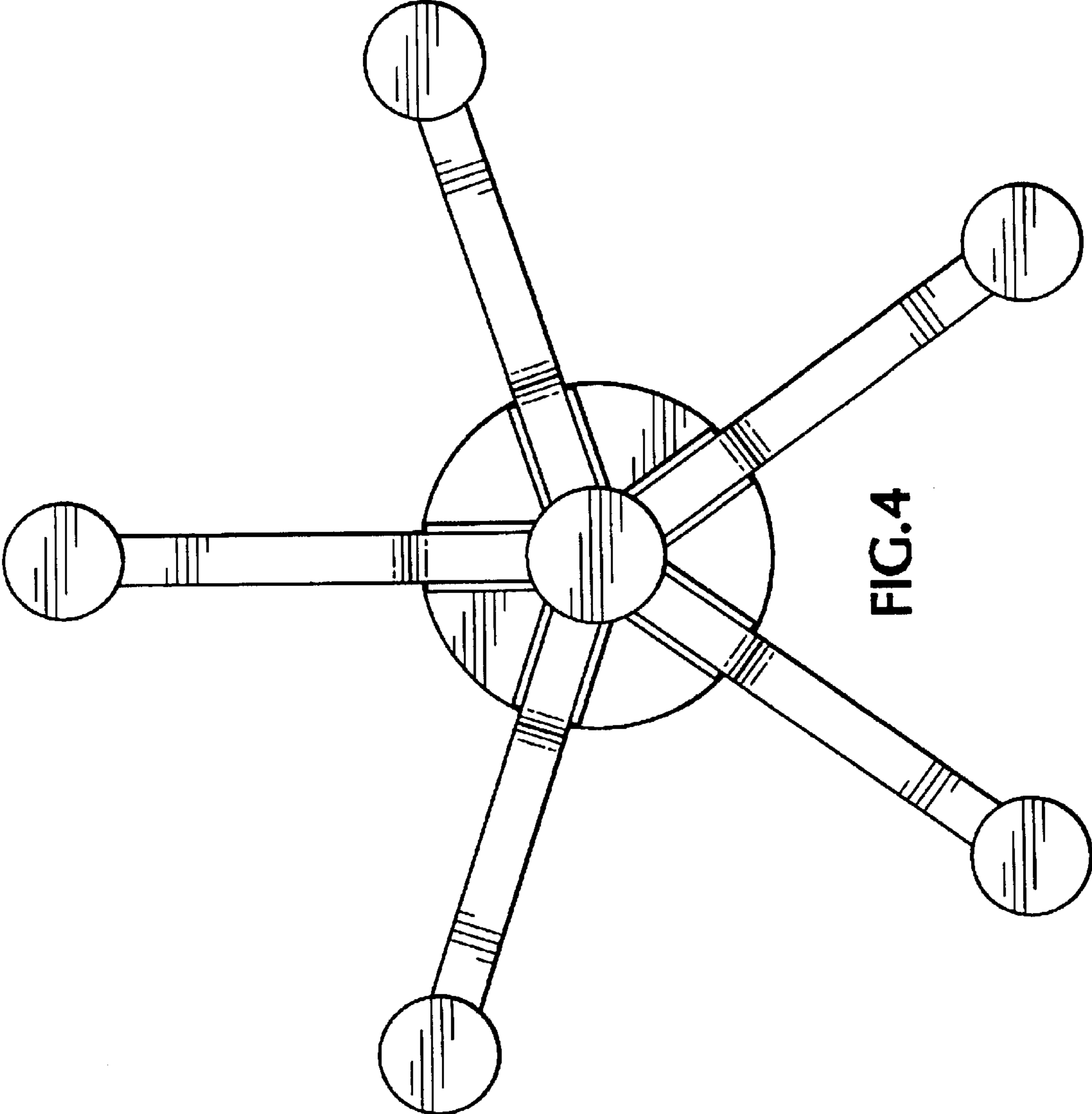


FIG. 4