

US00D507710S

(12) **United States Design Patent** (10) **Patent No.:** **US D507,710 S**
Fletcher et al. (45) **Date of Patent:** **** Jul. 26, 2005**

(54) **DESK**

(75) Inventors: **Scott Fletcher**, Redondo Beach, CA (US); **Robert Faulk**, Huntington Beach, CA (US)

(73) Assignee: **Virco Mgmt. Corporation**, Torrance, CA (US)

(**) Term: **14 Years**

(21) Appl. No.: **29/203,546**

(22) Filed: **Apr. 14, 2004**

(51) **LOC (8) Cl.** **06-03**

(52) **U.S. Cl.** **D6/487**

(58) **Field of Search** D6/480-489, 495-499, D6/349, 477; 248/188, 188.1, 188.8, 188.9; 108/153.1, 155, 156, 157.1, 161

(56) **References Cited**

U.S. PATENT DOCUMENTS

D376,931 S	*	12/1996	Fewchuk	D6/425
D470,349 S		2/2003	Risdall		
D473,068 S		4/2003	Holbrook et al.		
D473,399 S		4/2003	Holbrook et al.		
D474,044 S		5/2003	Holbrook et al.		
D474,356 S		5/2003	Bosman et al.		
D480,583 S		10/2003	Risdall		
D501,336 S	*	2/2005	Lin	D6/429

OTHER PUBLICATIONS

American Desk, "Classroom Furniture," Catalog, pp. 1, 17, end page, P.O. Box 6107, Temple, TX 76503.
 Artco-Bell Corporation, "Furniture to Enhance Education," Catalog, pp. 1, 21,22, Culver-Newlin Inc., 840 Wanamaker Ave., Ontario CA 91761.
 Artco-Bell Corporation, "Product Library 2001," Catalog, pp. 1, 9, 12, end page, P.O. Box 608, 1302 Industrial Blvd., Temple, TX 76403-0608.

Capital Seating Company, "Premium Quality Classroom Furniture," Catalog, 1 page.

CDF, "School Furniture," Catalog, 2 pages.

Columbia Manufacturing Company, "Alpha Desks," 1 page, One Cycle Street, P.O. Box 1230, Westfield, MA 01086.

Furniture Fixtures, "Contract Furniture in Advanced Design," Catalog, 1 page.

Ivy League School Furniture, Catalog, 3 pages.

National School Lines, "Classroom Furniture," Catalog, pp. 1, 3-4, Oshkosh, Wisconsin, www.nsl-inc.com.

Royal Seating Corporation, "Educational and Computer Furniture," Catalog, pp. 1, 13-14, 18-19.

Scholar Craft, "School Furniture," Catalog, pp. 21-26 end page, P.O. Box 170748, Birmingham, AL 35217 (2001).

Virco "Furniture Solutions," 2003 General Catalog, pp. 1, 55, 71-76, last page, 2027 Harpers Way, Torrance CA 90501.

* cited by examiner

Primary Examiner—Janice E. Seeger

(74) *Attorney, Agent, or Firm*—Denton L. Anderson; Sheldon & Mak; Robert M. Hupe

(57) **CLAIM**

The ornamental design for a desk, as shown and described.

DESCRIPTION

FIG. 1 is a perspective view of the desk of the invention; FIG. 2 is a front view of the desk illustrated in FIG. 1; FIG. 3 is a side view of the desk illustrated in FIG. 1; FIG. 4 is a top view of the desk illustrated in FIG. 1; FIG. 5 is a bottom view of the desk illustrated in FIG. 1; FIG. 6 is a rear view of the desk illustrated in FIG. 1; and FIG. 7 is a second perspective view of the desk illustrated in FIG. 1.

1 Claim, 3 Drawing Sheets

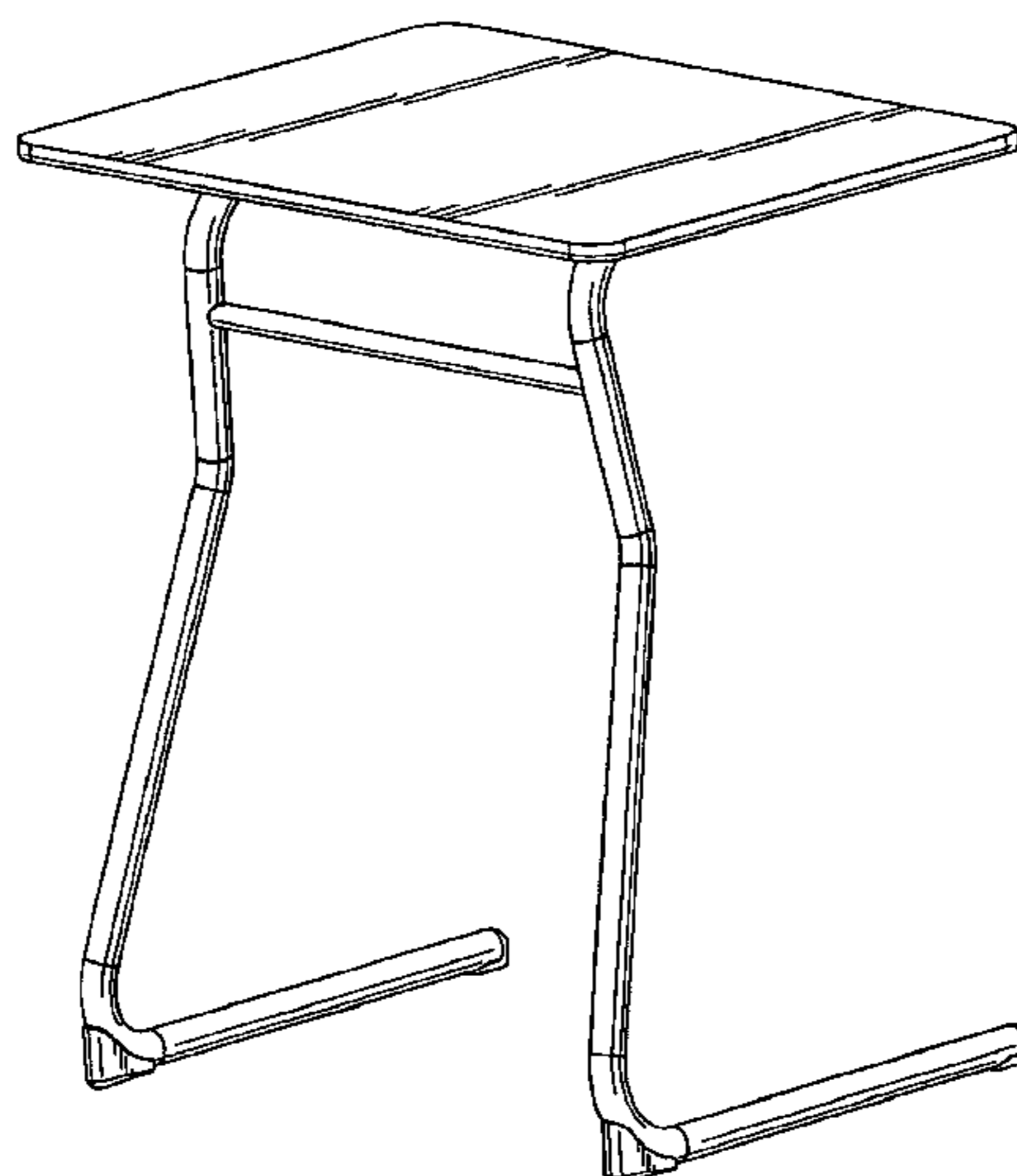


FIG. 1

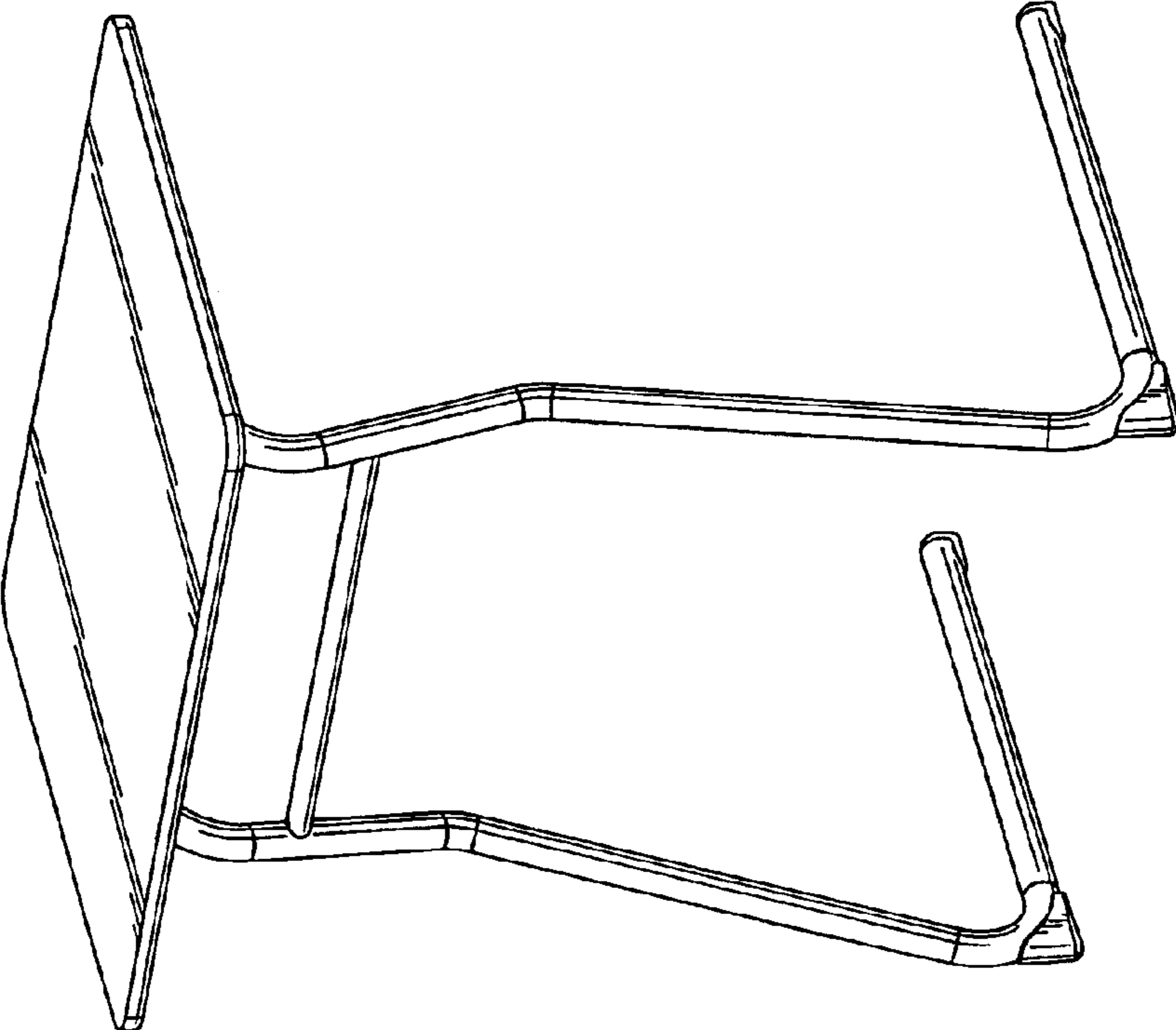
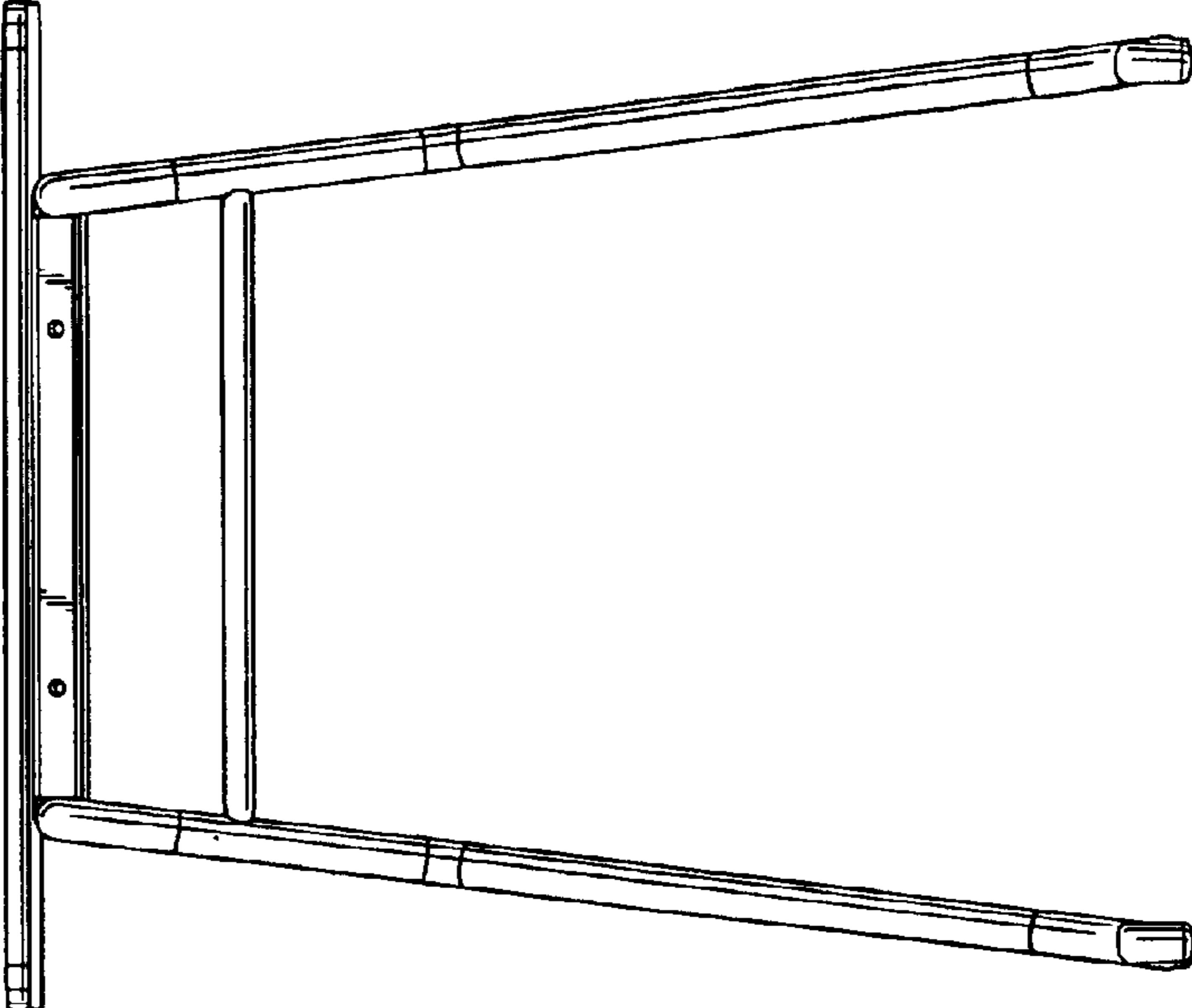


FIG. 2



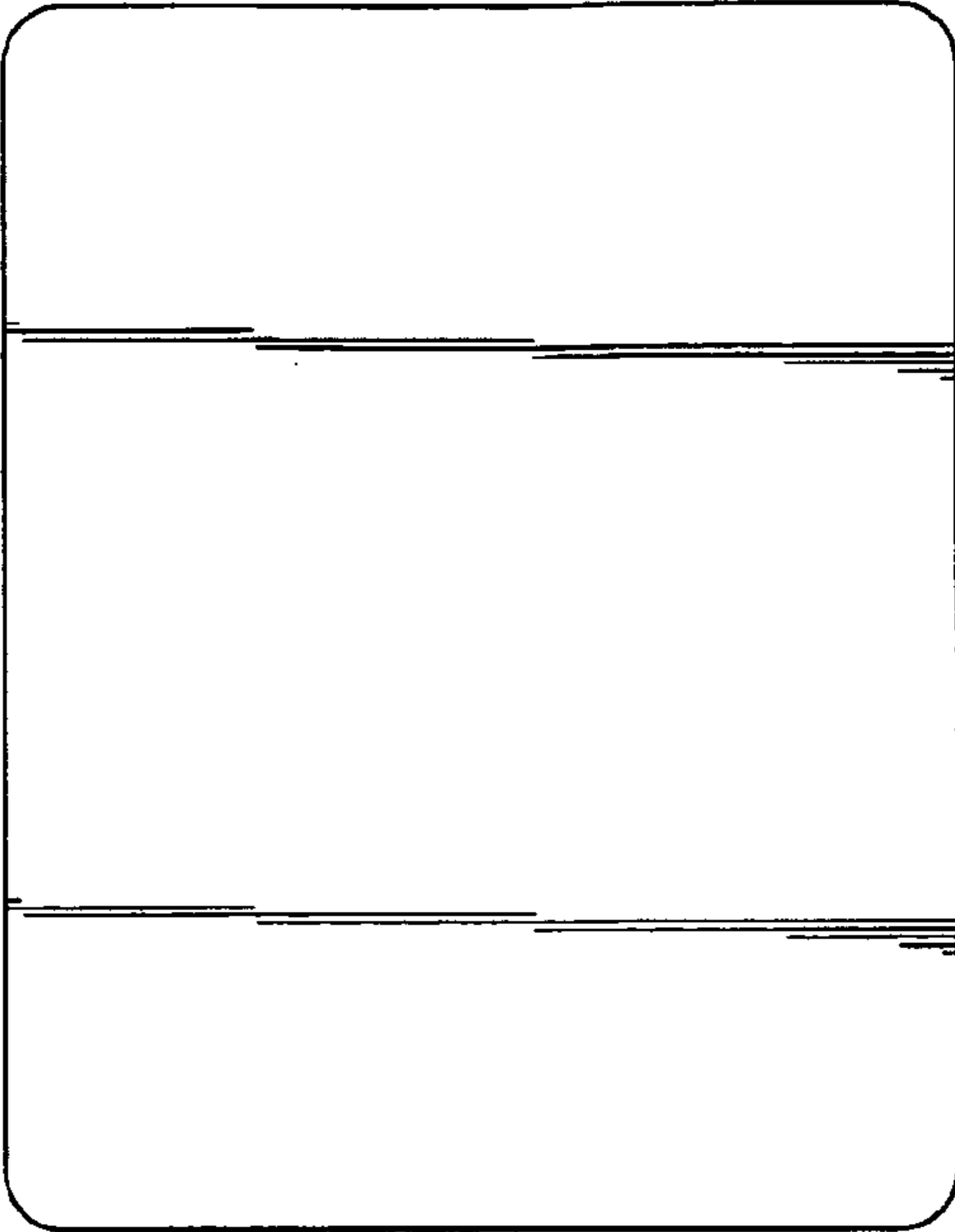


FIG. 4

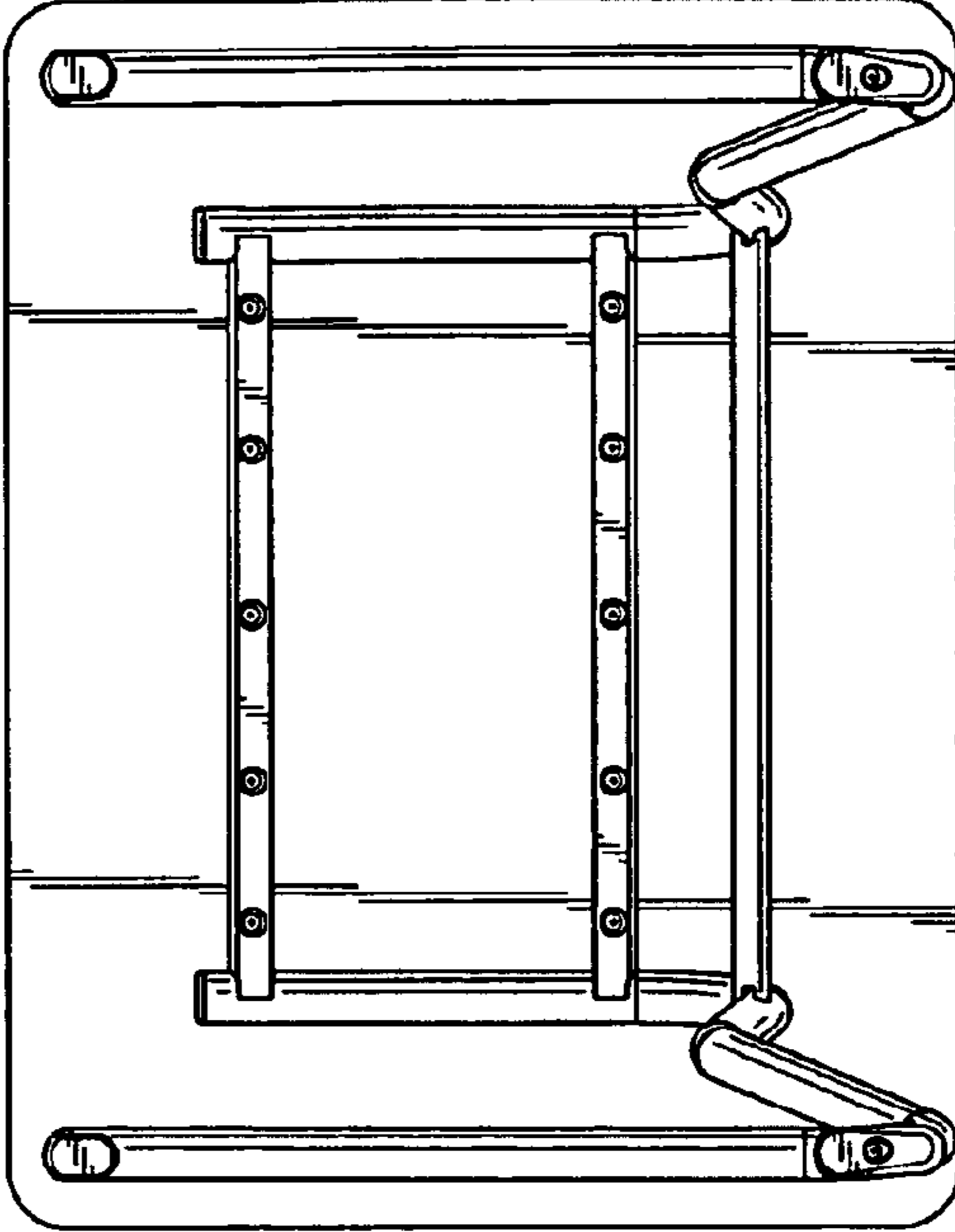


FIG. 5

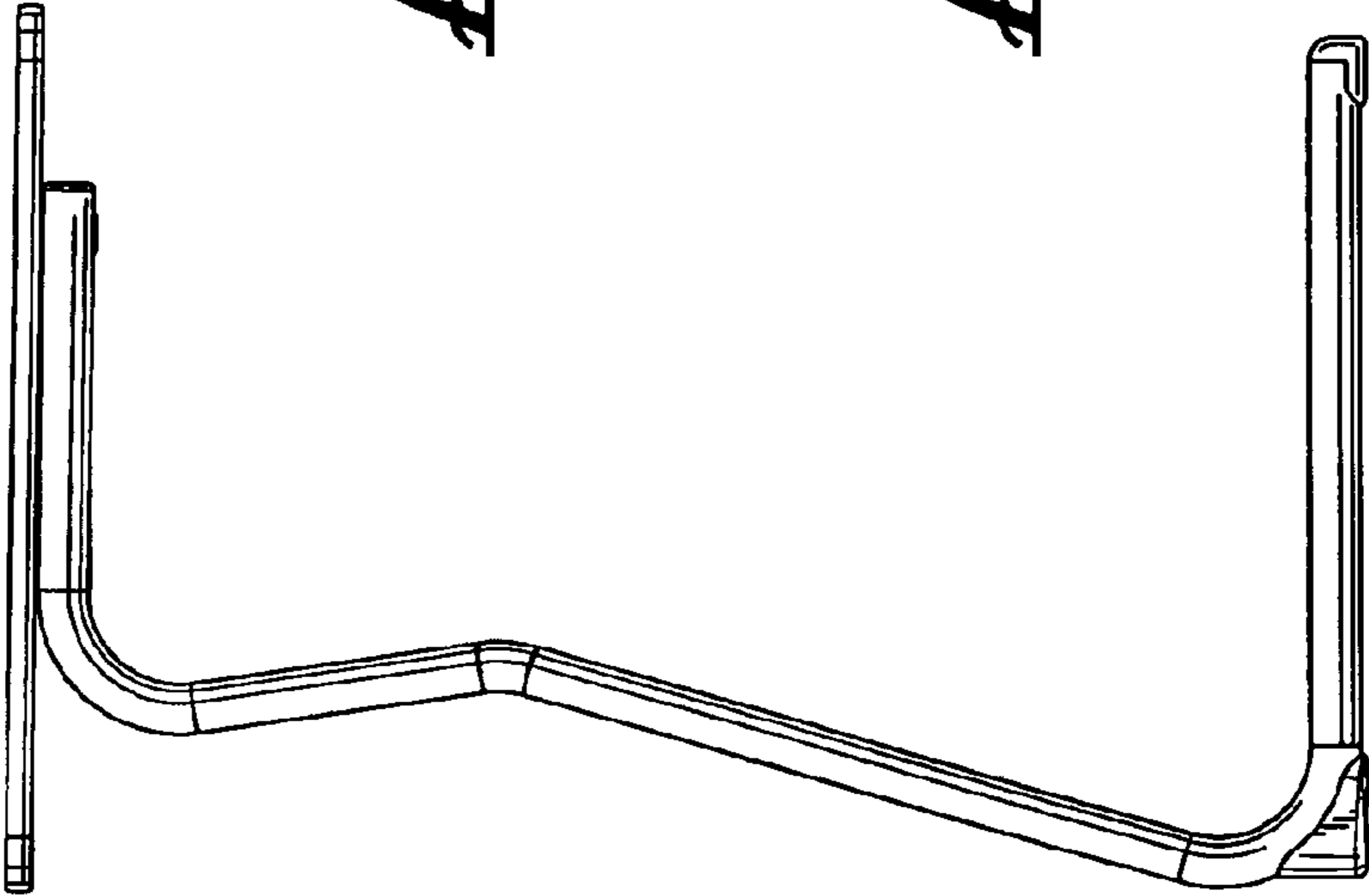


FIG. 3

FIG. 7

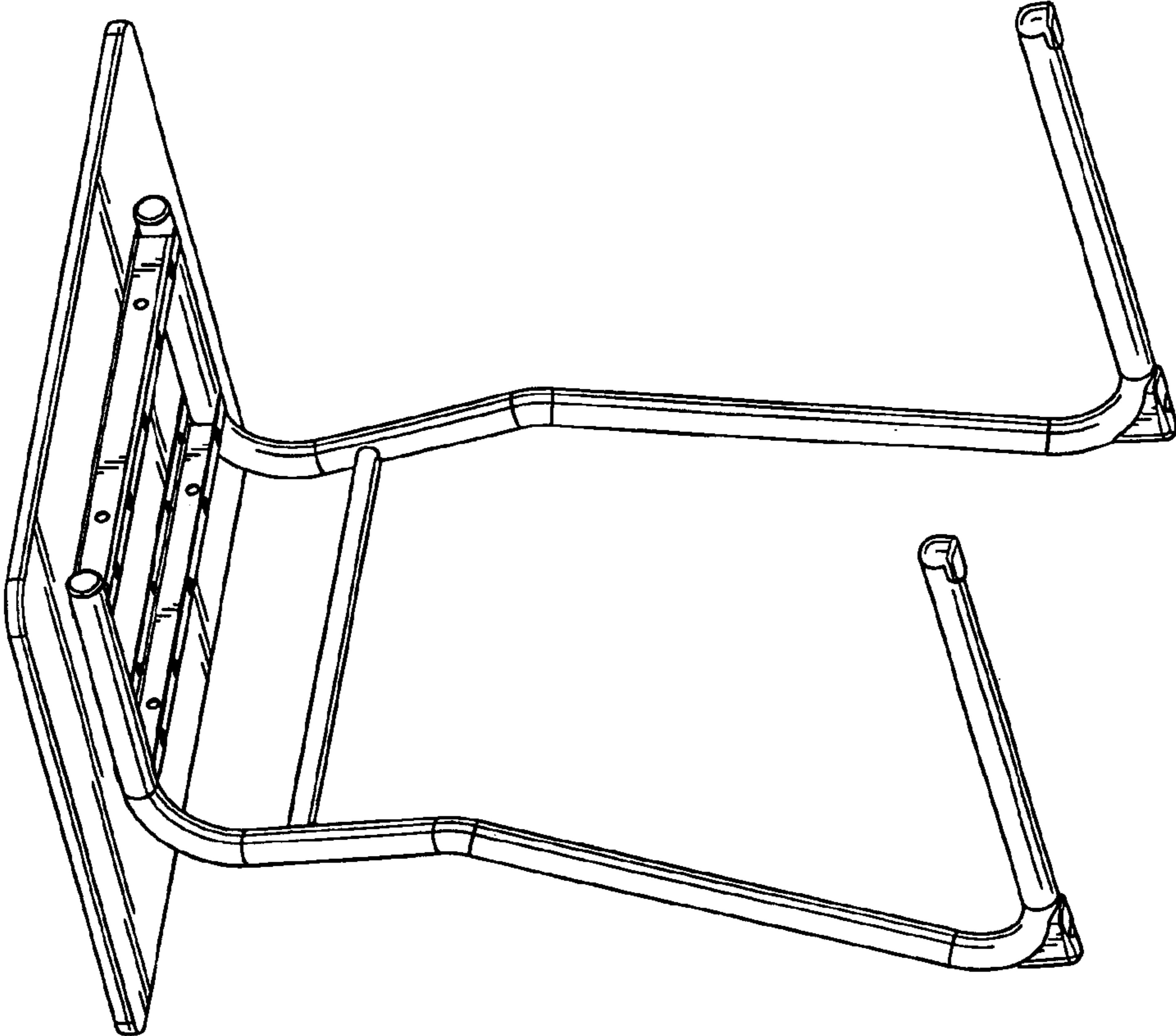


FIG. 8

