

US00D507709S

(12) **United States Design Patent**
Au

(10) **Patent No.:** **US D507,709 S**
(45) **Date of Patent:** **** Jul. 26, 2005**

(54) **SLIDING DOOR WATCH DISPLAY BOX
WITH DOUBLE WATCH WINDERS**

D384,527 S * 10/1997 Capeto D6/471
D410,108 S * 5/1999 Reed D6/471

(75) Inventor: **Kinsen Ka Fai Au**, Tuen Mun (HK)

* cited by examiner

(73) Assignee: **Nationalpak Limited**, Tuen Mun (HK)

Primary Examiner—Cathron C. Brooks

(**) Term: **14 Years**

(74) *Attorney, Agent, or Firm*—Raymond Y. Chan; David & Raymond

(21) Appl. No.: **29/216,710**

(57) **CLAIM**

(22) Filed: **Nov. 8, 2004**

The ornamental design for a sliding door watch display box with double watch winders, as shown and described.

(51) **LOC (8) Cl.** **06-04**

DESCRIPTION

(52) **U.S. Cl.** **D6/471**

(58) **Field of Search** D6/467-472; 312/114,
312/204, 224

FIG. 1 is a perspective view showing my new design.

FIG. 2 is a front view thereof.

FIG. 3 is a rear view thereof.

FIG. 4 is a left end view thereof.

FIG. 5 is a right end view thereof.

FIG. 6 is a top view thereof.

FIG. 7 is a bottom view thereof; and,

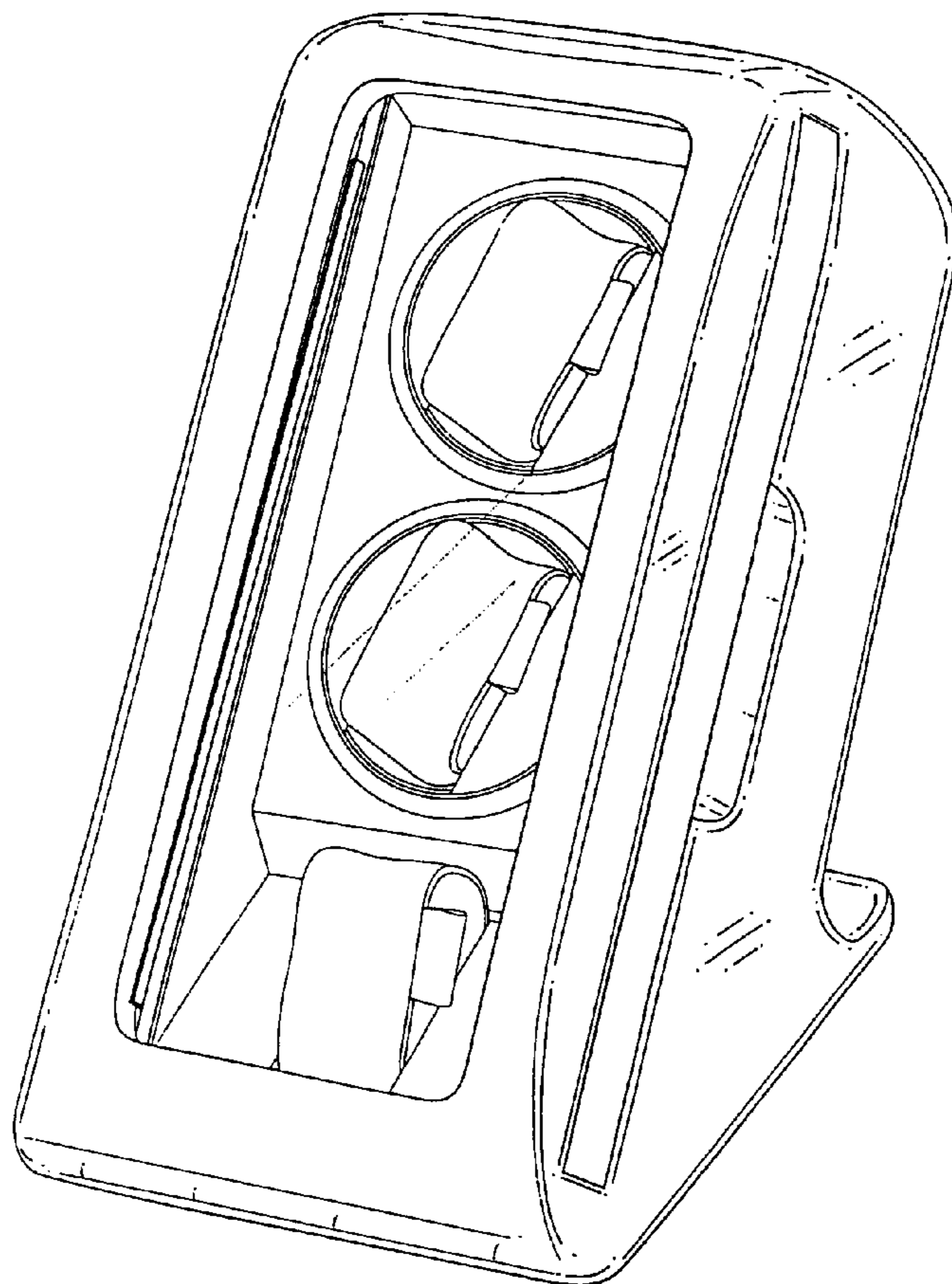
FIG. 8 is a perspective view showing an opening position thereof.

(56) **References Cited**

U.S. PATENT DOCUMENTS

D116,561 S	*	9/1939	Houle	D6/471
D140,242 S	*	2/1945	Wemyss	D6/466
D195,160 S	*	4/1963	Walte	D6/471
D259,006 S	*	4/1981	Housman	D6/471
D278,958 S	*	5/1985	Novak	D6/471
D330,300 S	*	10/1992	Endelman	D6/469

1 Claim, 8 Drawing Sheets



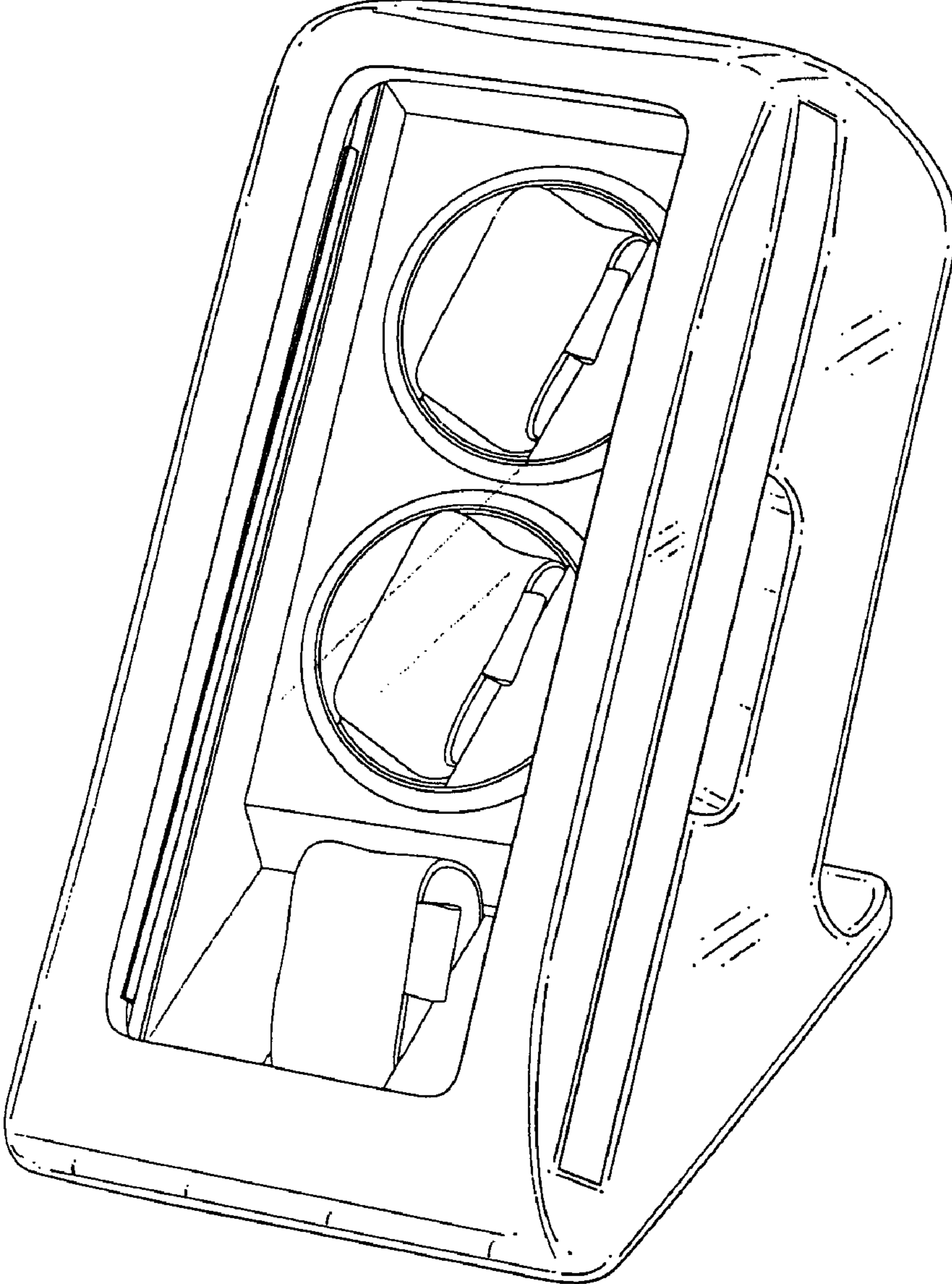


FIG. 1

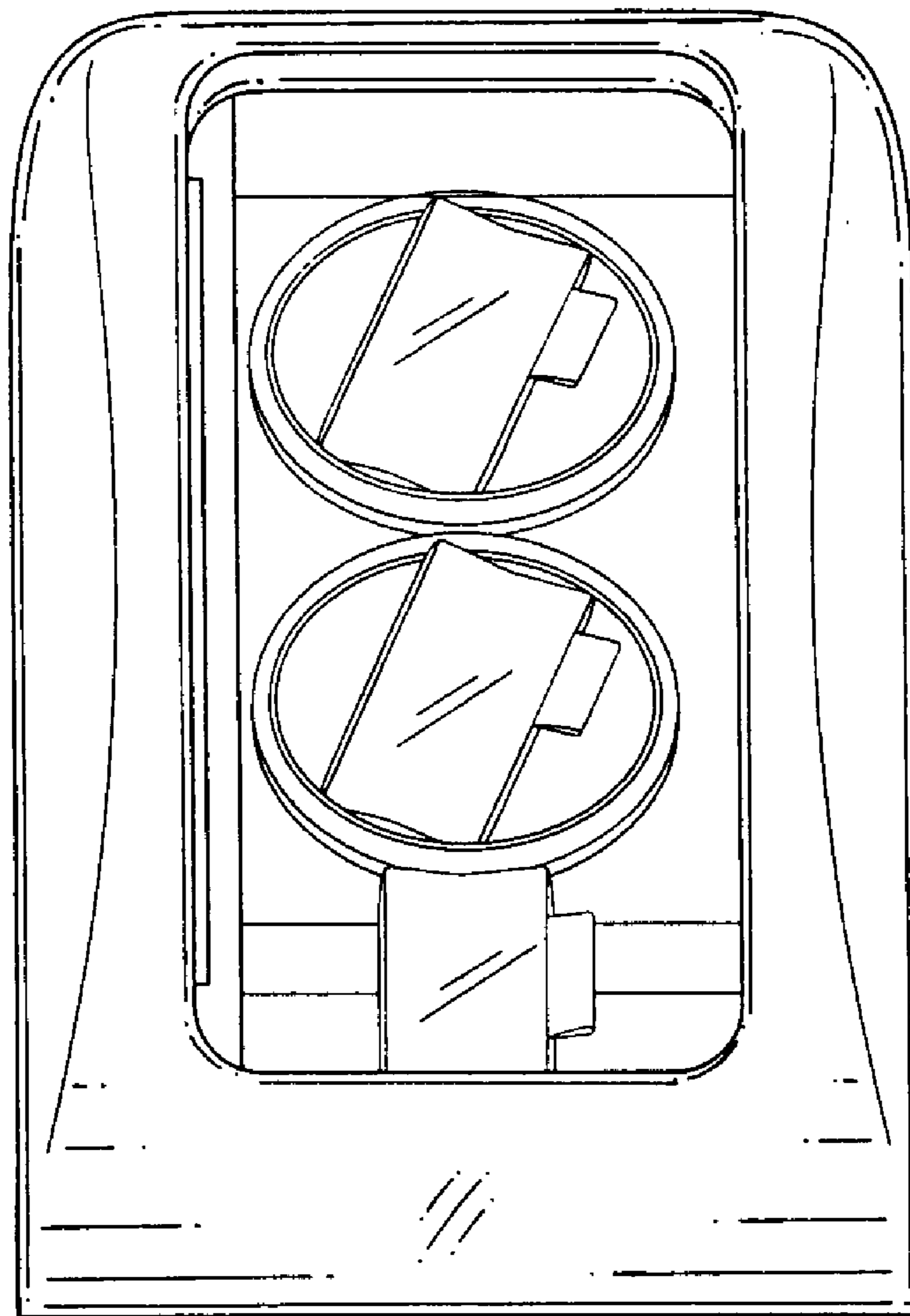


FIG. 2

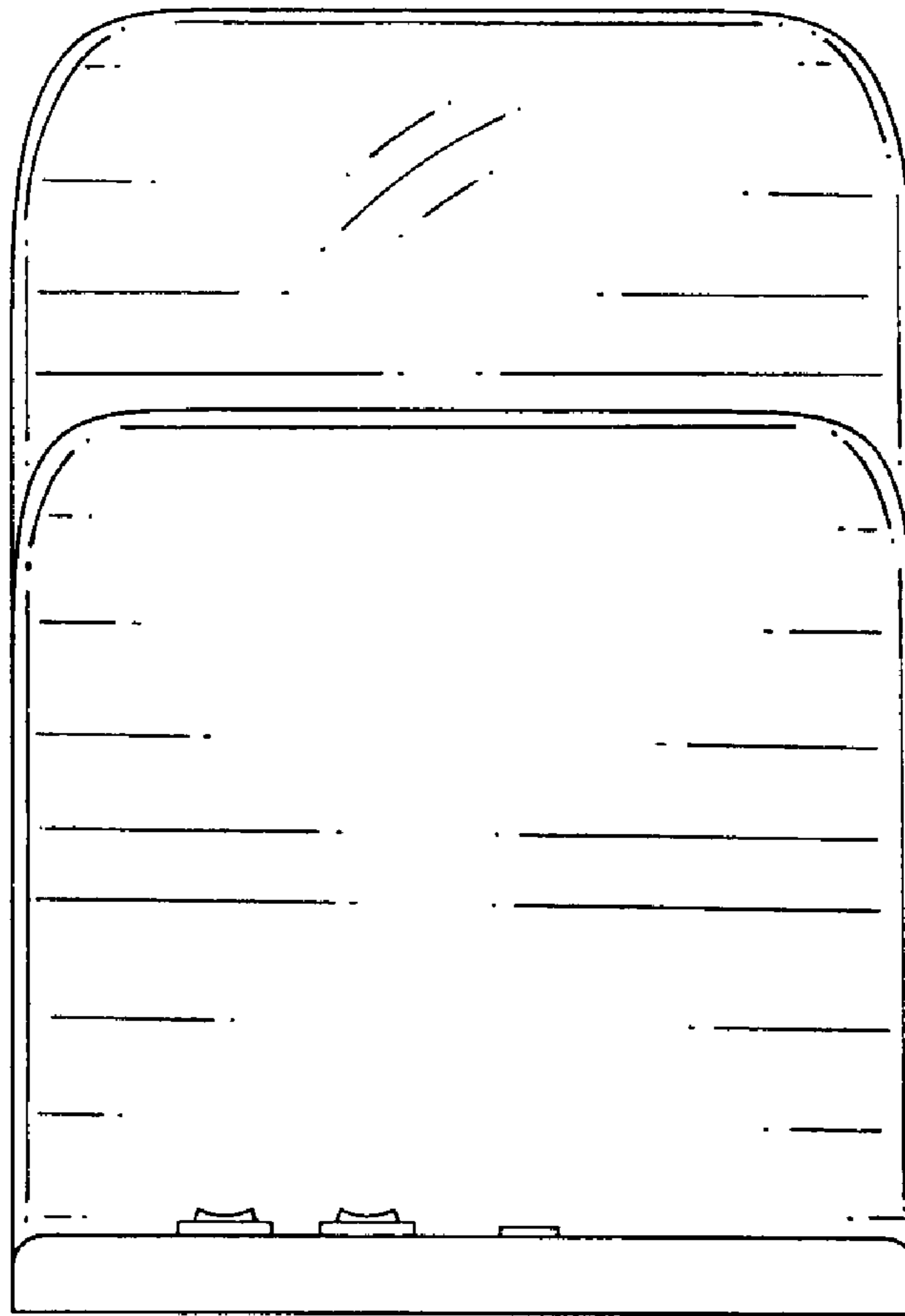


FIG. 3

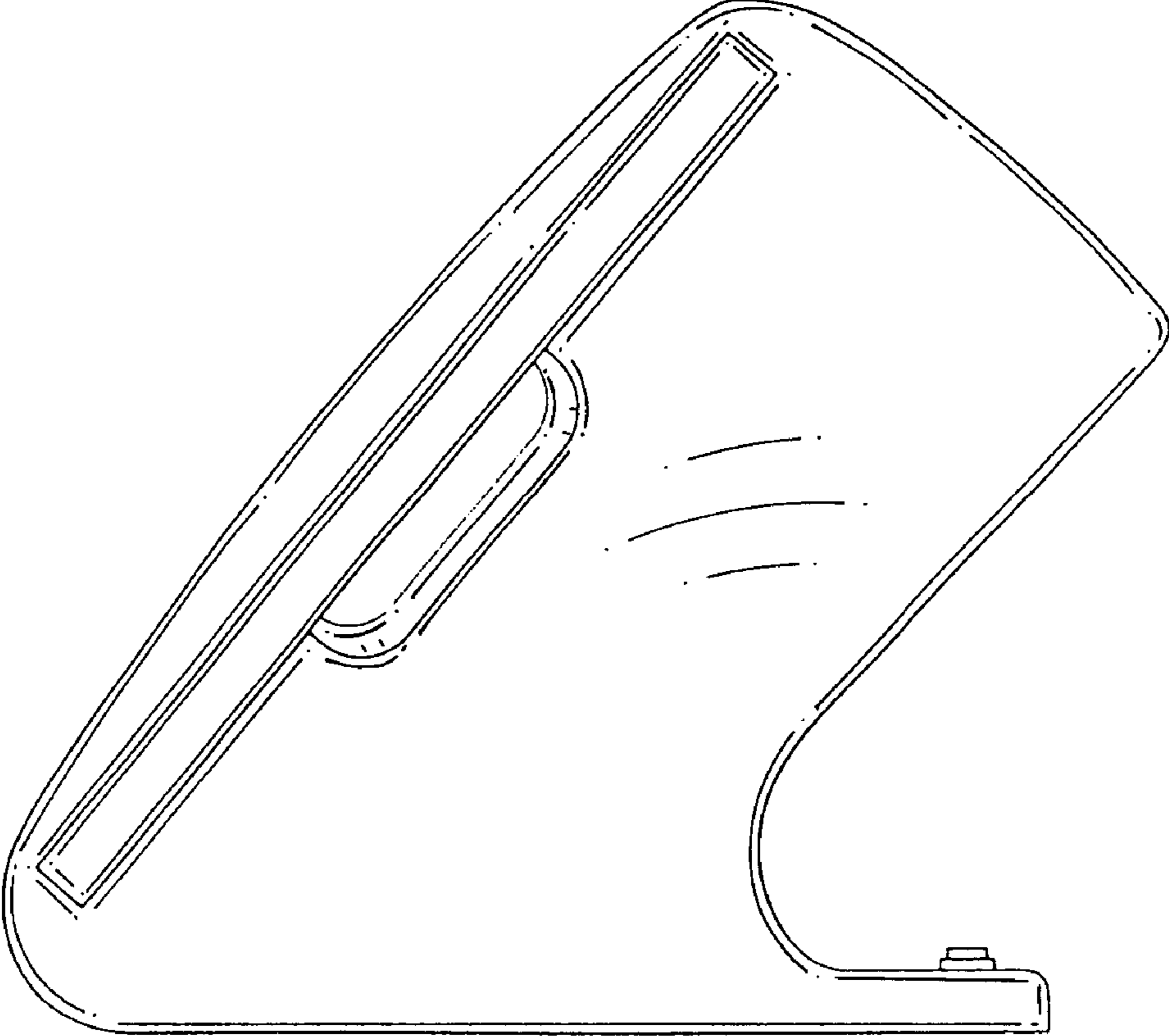


FIG. 4

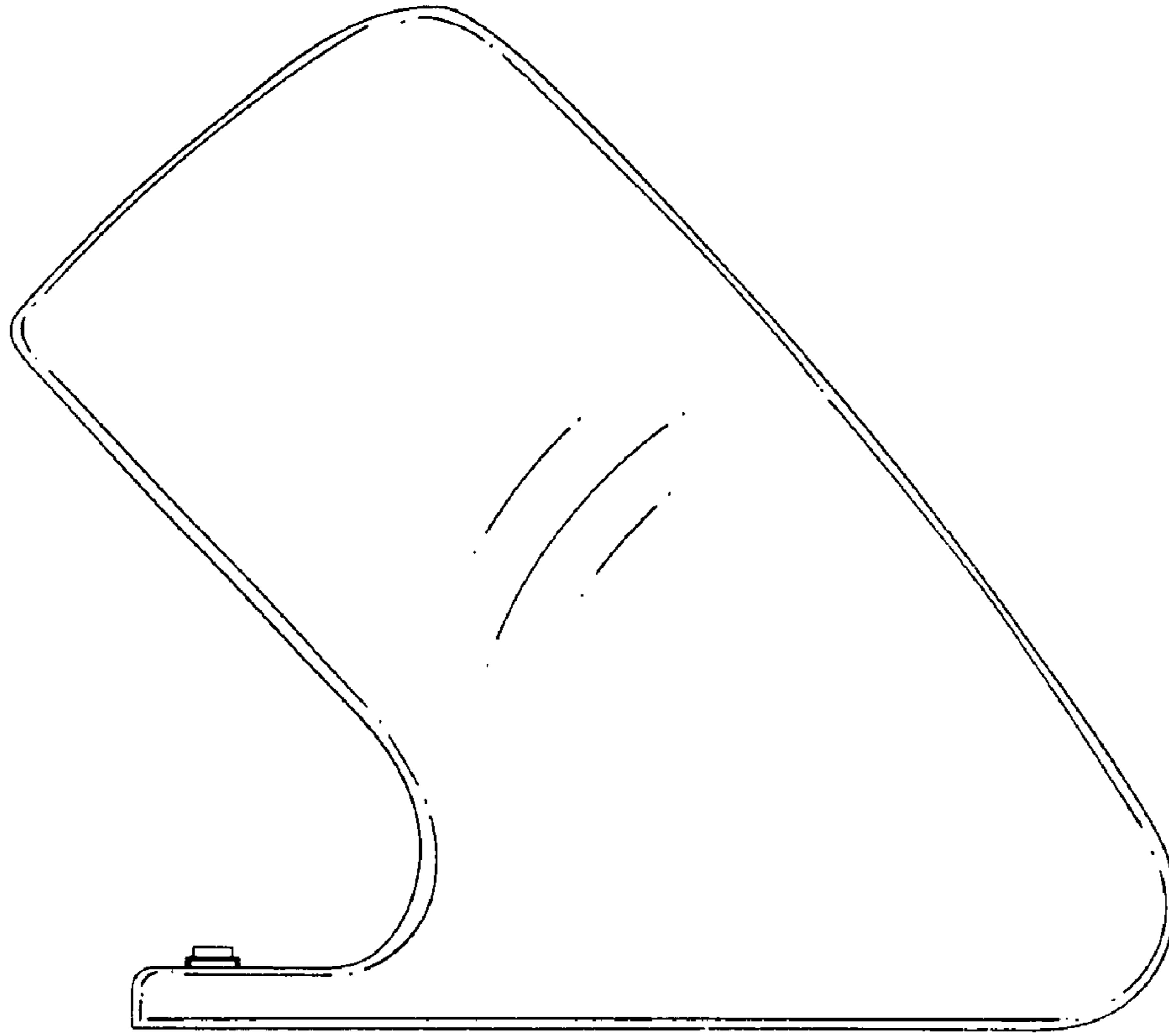


FIG. 5

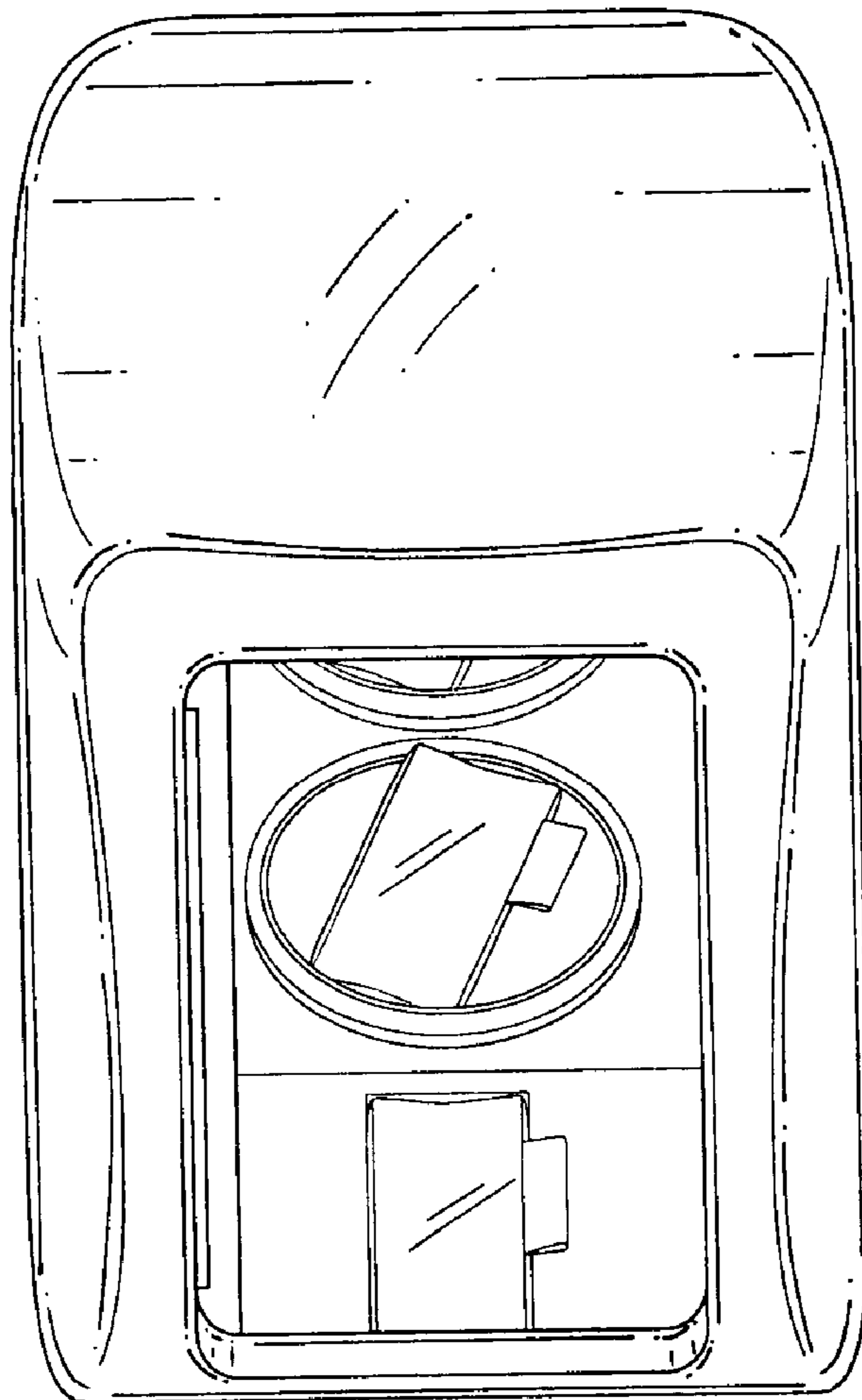


FIG. 6

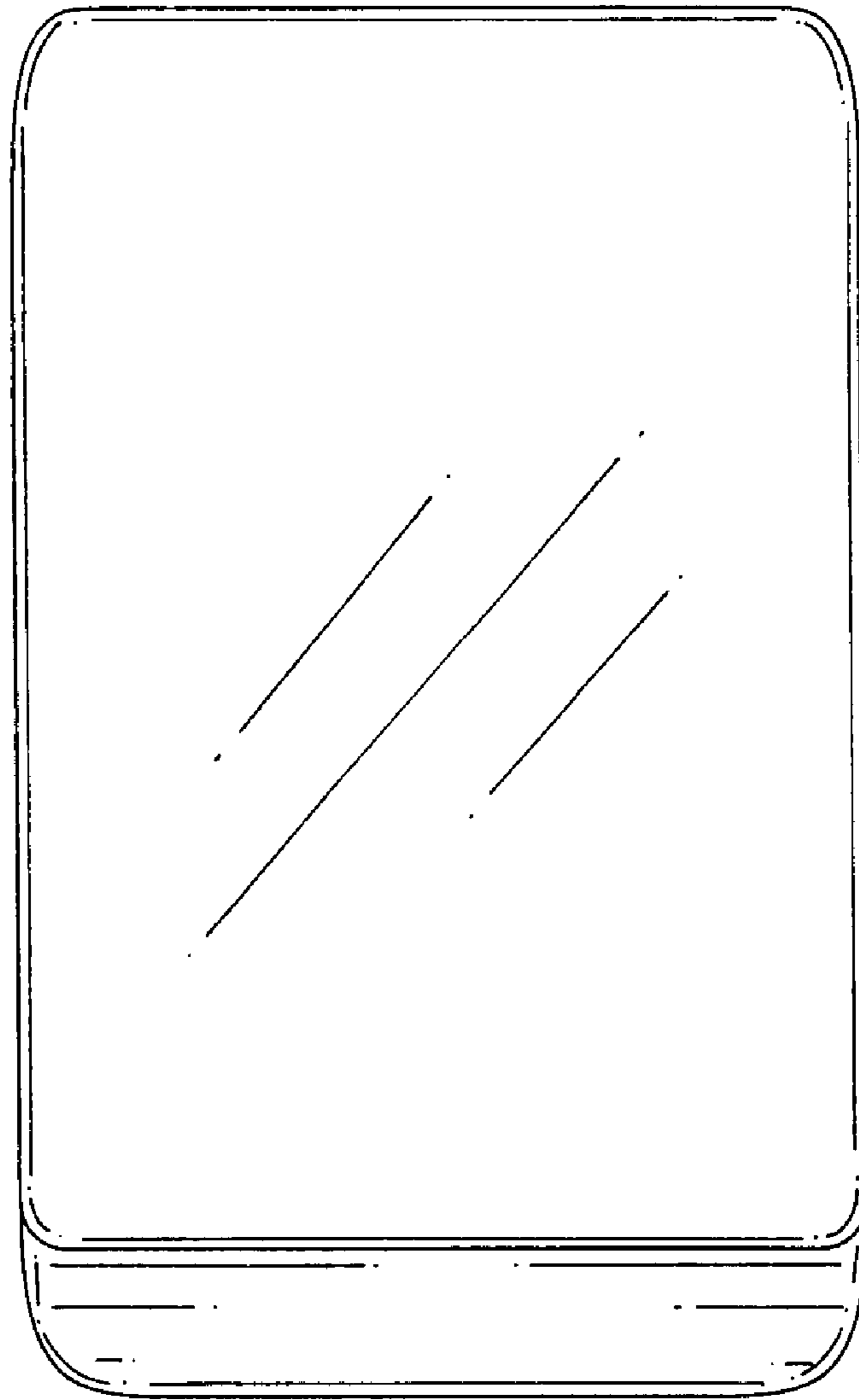


FIG. 7

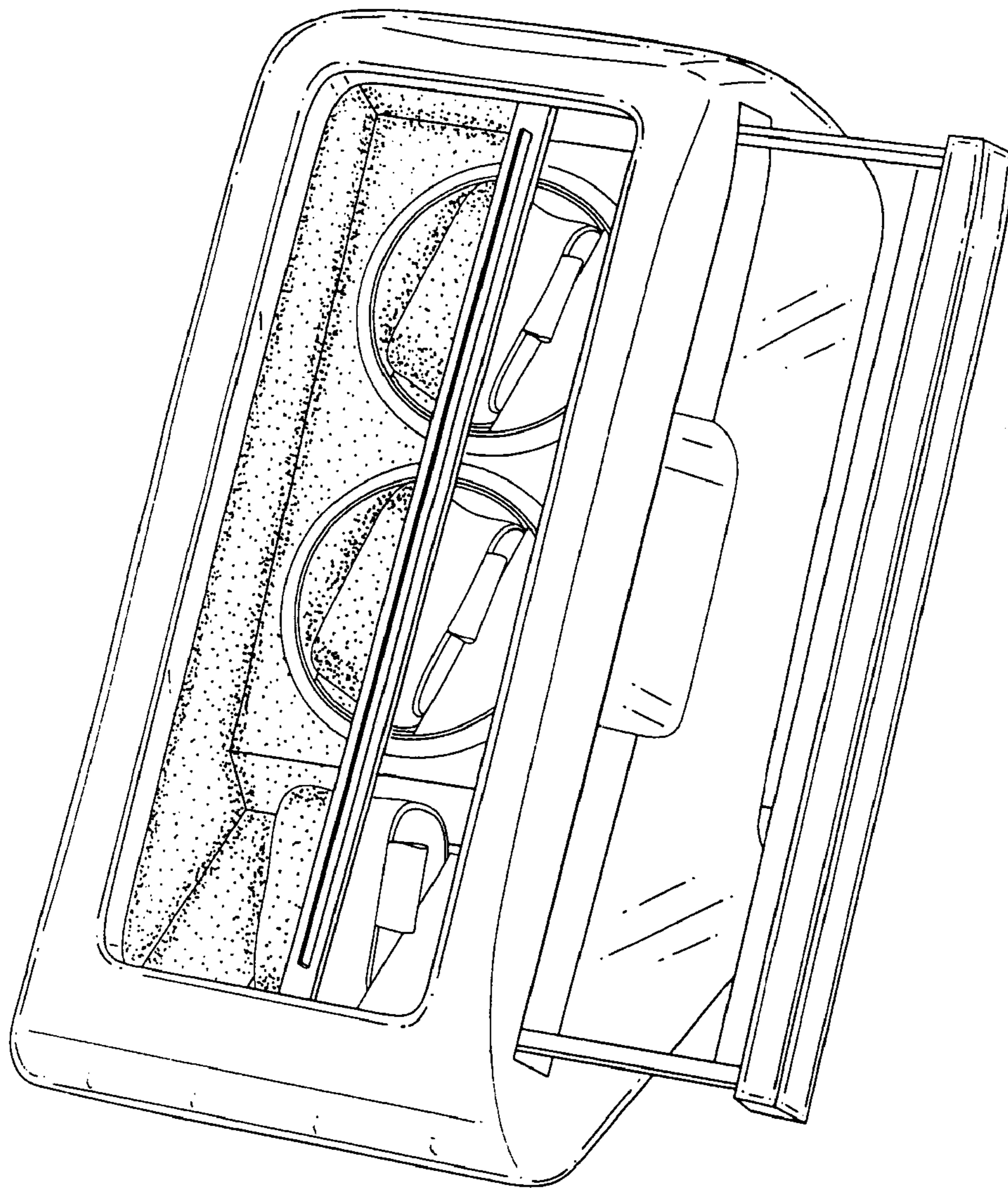


FIG. 8