



US00D507707S

(12) **United States Design Patent**
Goodworth

(10) **Patent No.: US D507,707 S**

(45) **Date of Patent: ** *Jul. 26, 2005**

(54) **CHAIR**

(75) Inventor: **William H. Goodworth**, Davenport, IA
(US)

(73) Assignee: **HNI Technologies Inc.**, Muscatine, IA
(US)

(*) Notice: This patent is subject to a terminal disclaimer.

(**) Term: **14 Years**

(21) Appl. No.: **29/206,938**

(22) Filed: **Jun. 4, 2004**

Related U.S. Application Data

(62) Division of application No. 29/157,542, filed on Mar. 21, 2002, now Pat. No. Des. 496,535.

(51) **LOC (8) Cl.** **06-01**

(52) **U.S. Cl.** **D6/366**

(58) **Field of Search** D6/334, 364, 365,
D6/366, 367, 379, 498, 500-502; 29/411.2,
411.27, 411.28, 445.1, 452.21, 452.29,
452.35

(56) **References Cited**

U.S. PATENT DOCUMENTS

D369,705 S * 5/1996 George et al. D6/500

D379,408 S * 5/1997 Feldberg D6/366
D395,762 S * 7/1998 Saul D6/366
D409,022 S * 5/1999 Vanderwood et al. D6/500
D428,724 S * 8/2000 Beaulieu D6/379
D437,499 S * 2/2001 Tseng D6/366
D444,637 S * 7/2001 Tseng D6/366
D446,396 S * 8/2001 Phillips et al. D6/366
D448,583 S * 10/2001 Tsai D6/366
D459,601 S * 7/2002 Moore D6/366
D473,409 S * 4/2003 Chen D6/500
D496,535 S * 9/2004 Goodworth D6/366

* cited by examiner

Primary Examiner—Mimosa De

(74) *Attorney, Agent, or Firm*—Ronald A. Sandler; Jones Day

(57) **CLAIM**

The ornamental design for a chair, as shown and described.

DESCRIPTION

FIG. 1 is an isometric view of the chair showing the new design;

FIG. 2 is a front elevation view thereof;

FIG. 3 is a rear elevation view thereof;

FIG. 4 is a left side elevation view thereof; and,

FIG. 5 is a top plan view thereof.

The broken line showing of adjustment lever in FIGS. 2, 3 and 4 is for illustrative purposes only and forms no part of the claimed design.

1 Claim, 3 Drawing Sheets



Fig. 1



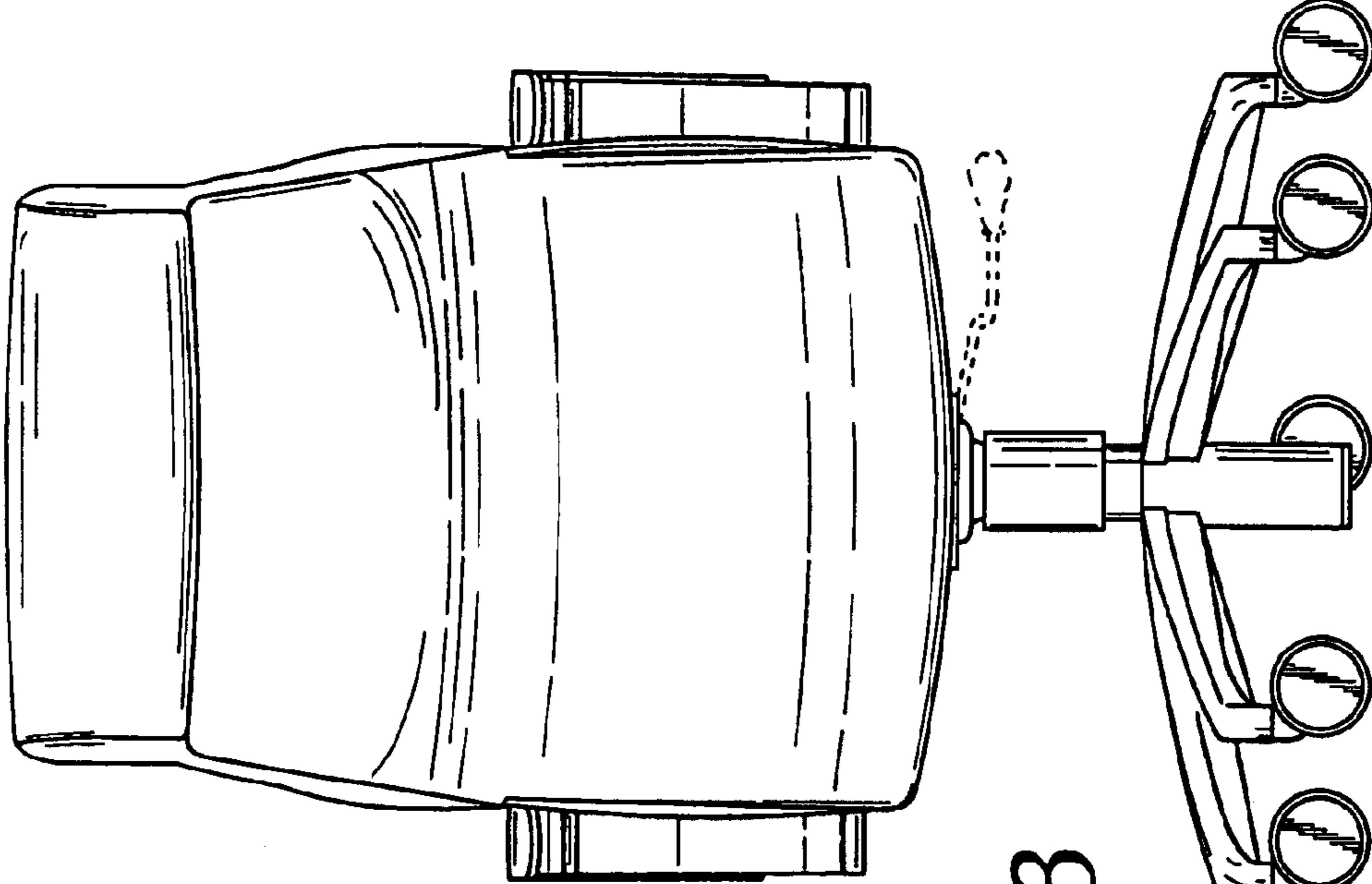


Fig. 2

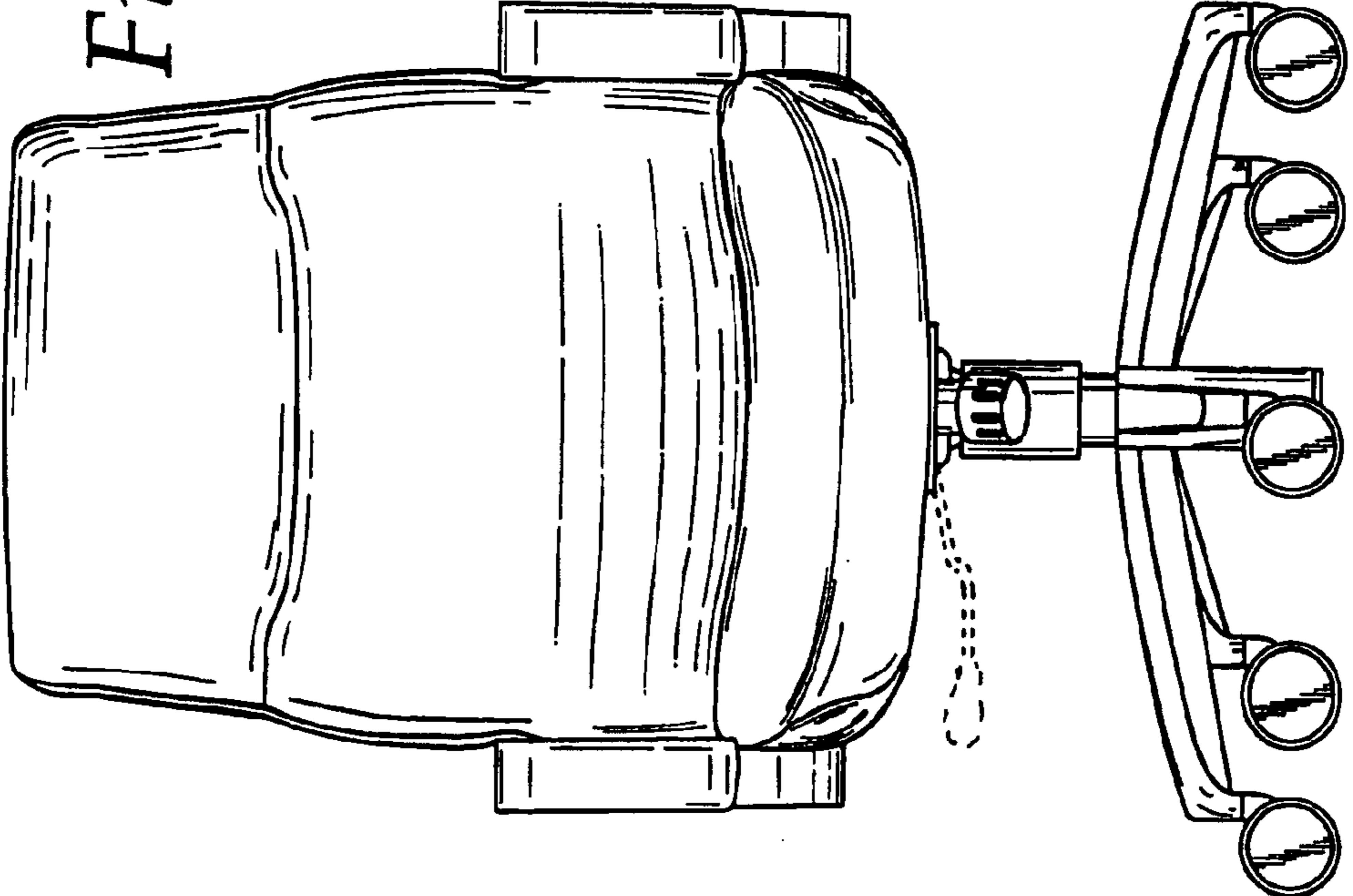


Fig. 3

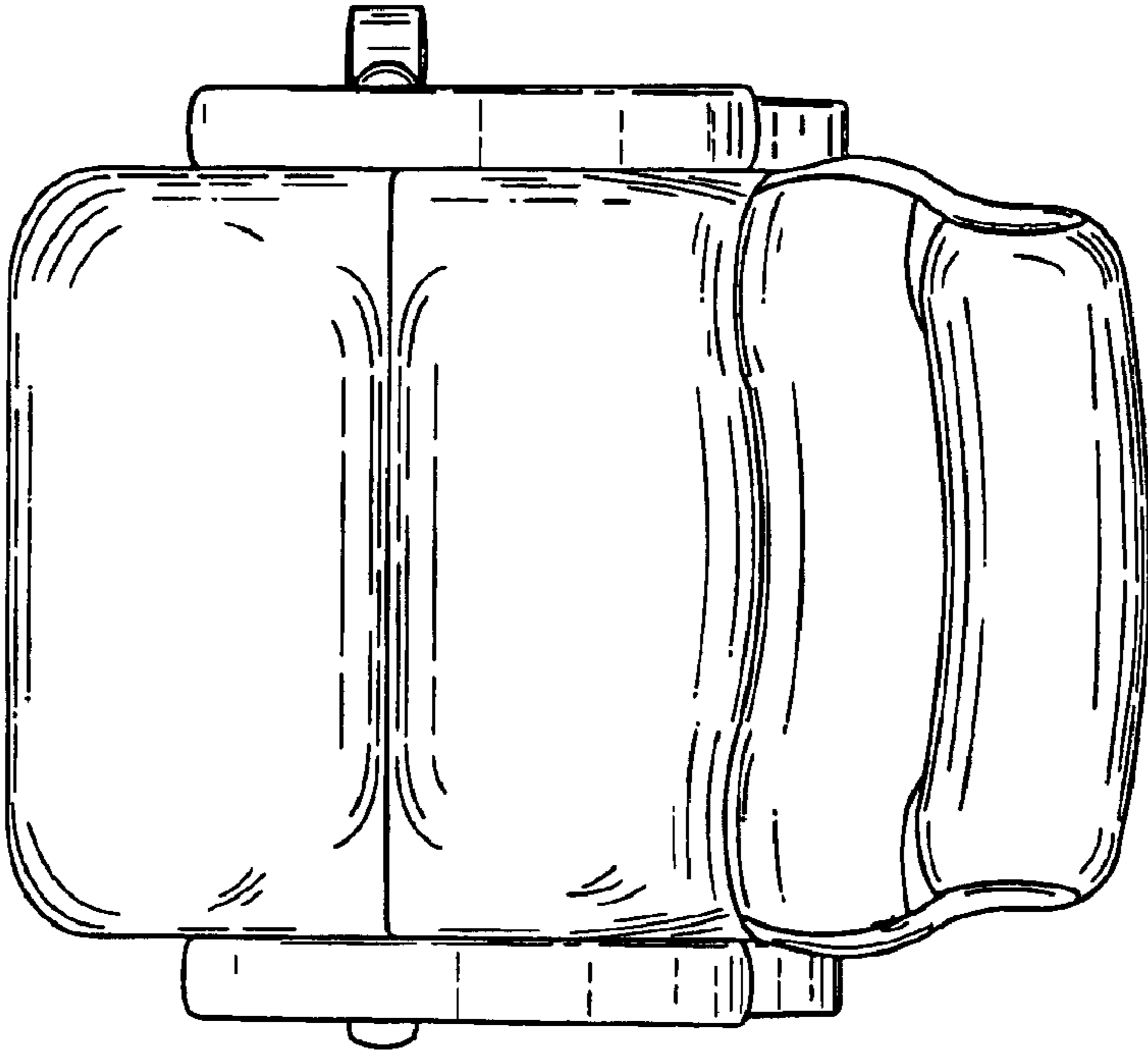


Fig. 5

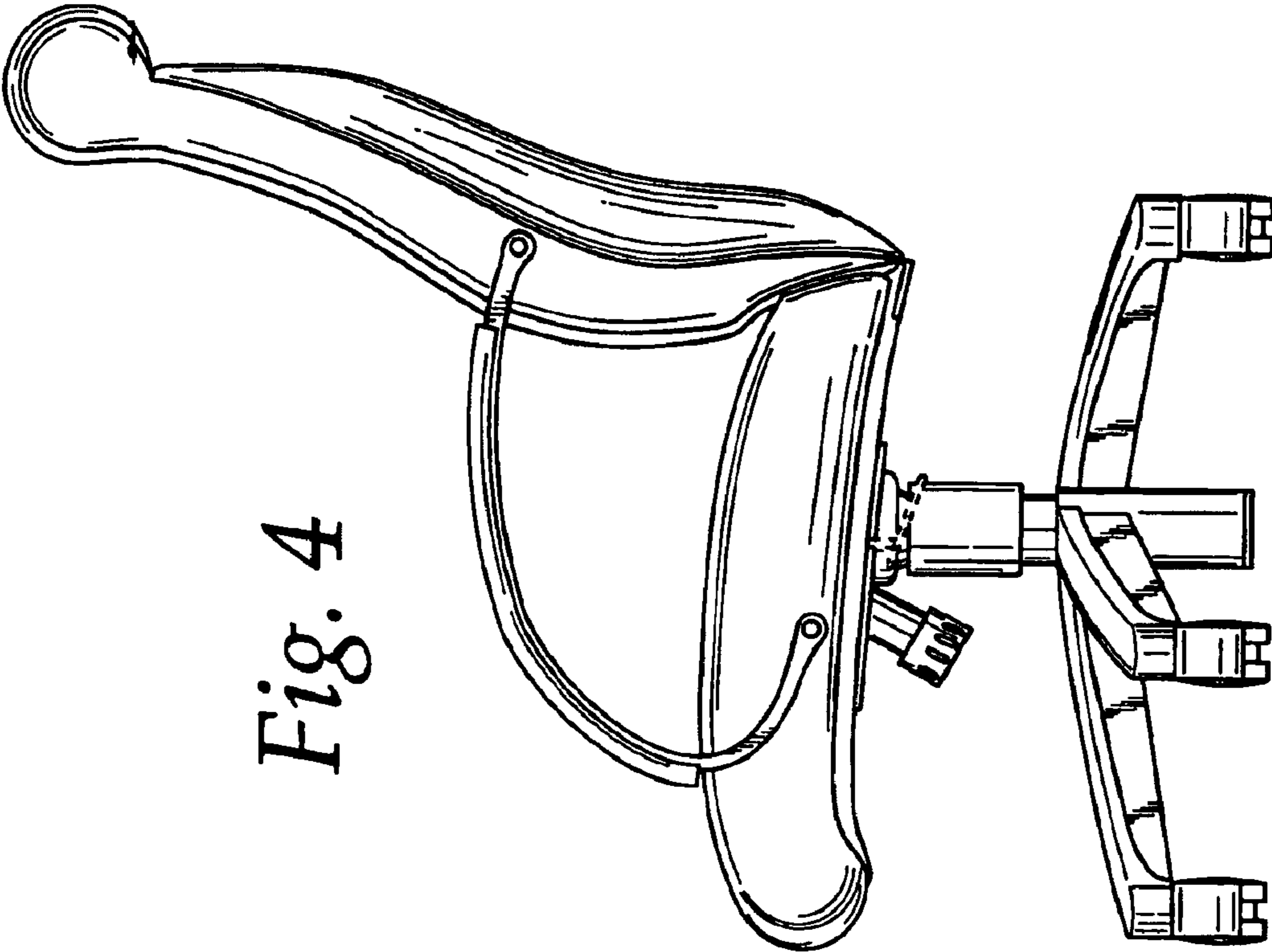


Fig. 4