

US00D507699S

(12) **United States Design Patent** (10) **Patent No.:** **US D507,699 S**
Croke et al. (45) **Date of Patent:** **** Jul. 26, 2005**

(54) **SATCHEL**

(76) Inventors: **James Raymond Croke**, 6525 W. English Meadows, D304, Milwaukee, WI (US) 53220; **John Robert Stone**, 4945 S. 55th St., Apt. 202, Greenfield, WI (US) 53220

(**) Term: **14 Years**

(21) Appl. No.: **29/210,950**

(22) Filed: **Aug. 9, 2004**

(51) **LOC (8) Cl.** **03-01**

(52) **U.S. Cl.** **D3/226**

(58) **Field of Search** D3/226, 215, 221, D3/219, 265, 231-239, 243, 250; D12/409; 224/42.11, 417, 429-430; 383/7, 38

(56) **References Cited**

U.S. PATENT DOCUMENTS

1,219,232 A	3/1917	Blumberg	383/22
D58,316 S	7/1921	Heald	D3/230
D62,415 S	5/1923	Rowan	D3/243
D62,621 S	7/1923	Rowan	D3/243
D130,147 S	* 10/1941	Allen	D12/409
D150,768 S	8/1948	Hoshafian	D2/807
2,474,495 A	6/1949	Pollak	224/245
D164,611 S	9/1951	Tenzer	D3/226
2,592,087 A	4/1952	Wallace	224/677
2,710,639 A	6/1955	Farls	383/26
2,983,412 A	5/1961	Ferguson	224/245
3,158,300 A	11/1964	Withee	224/235
3,361,312 A	1/1968	Hutchison	224/240

(Continued)

Primary Examiner—Catherine R. Oliver

(74) *Attorney, Agent, or Firm*—Andrus, Scales, Starke & Sawall, LLP

(57) **CLAIM**

We claim the ornamental design for a satchel, as shown and described.

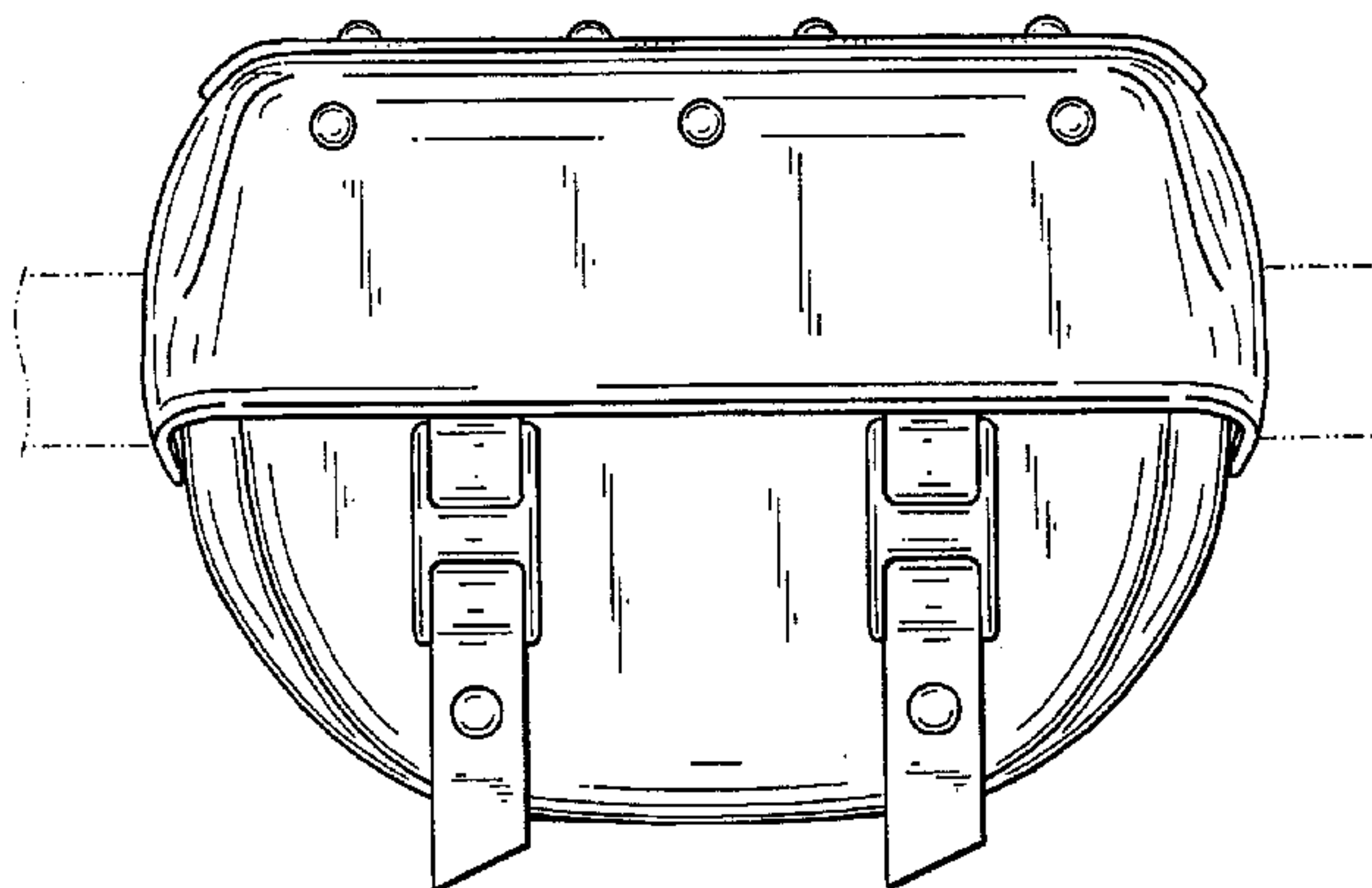
DESCRIPTION

FIG. 1 is a perspective view of a satchel intended to be worn about the waist in accordance with the present invention;

FIG. 2 is a front view of the satchel;
 FIG. 3 is a top view of the satchel;
 FIG. 4 is a left side view of the satchel;
 FIG. 5 is a right side view of the satchel;
 FIG. 6 is a bottom view of the satchel;
 FIG. 7 is a rear view of the satchel;
 FIG. 8 is a perspective view of the satchel which has been opened;
 FIG. 9 is a perspective view of a second embodiment of the satchel;
 FIG. 10 is a front view of the second embodiment of the satchel;
 FIG. 11 is a left side view of the second embodiment of the satchel;
 FIG. 12 is a right side view of the second embodiment of the satchel;
 FIG. 13 is a bottom view of the second embodiment of the satchel;
 FIG. 14 is a rear view of the second embodiment of the satchel;
 FIG. 15 is a perspective view of the second embodiment of the satchel which has been opened;
 FIG. 16 is a perspective view of a third embodiment of the satchel;
 FIG. 17 is a front view of the third embodiment of the satchel;
 FIG. 18 is a top view of the third embodiment of the satchel;
 FIG. 19 is a left side view of the third embodiment of the satchel;
 FIG. 20 is a right side view of the third embodiment of the satchel;
 FIG. 21 is a rear view of the third embodiment of the satchel;
 and,
 FIG. 22 is a perspective view of the third embodiment of the satchel which has been opened.

The broken line showing of environment in the drawings is for illustrative purposes only and forms no part of the claimed design.

1 Claim, 9 Drawing Sheets



US D507,699 S

Page 2

U.S. PATENT DOCUMENTS

D218,548 S	9/1970	Elkins	D3/230	5,465,889 A	11/1995	Smith	224/224
D254,877 S	5/1980	Woods	D3/243	D365,322 S	* 12/1995	Hrib	D12/409
D266,200 S	9/1982	Berman	D3/230	5,501,379 A	3/1996	Munoz	224/240
D266,201 S	9/1982	Berman	D3/230	D368,367 S	4/1996	Sharp	D3/226
D266,203 S	9/1982	Berman	D3/230	D375,623 S	11/1996	Pearl-Lee	D3/226
D289,226 S	4/1987	Zisholtz	D3/221	D378,021 S	2/1997	Kosmos	D3/226
D293,392 S	12/1987	Lindon	D3/226	5,788,170 A	8/1998	Hester	224/684
4,974,761 A	12/1990	Luque	224/148.6	D400,705 S	* 11/1998	Akutsu	D3/242
D333,570 S	3/1993	Murray	D3/226	D401,056 S	* 11/1998	Akutsu	D3/231
D341,482 S	* 11/1993	McMillan	D3/265	5,836,497 A	11/1998	Pelish	224/677
5,259,541 A	11/1993	Reese	224/226	D406,455 S	3/1999	Wagner, II	D3/226
5,285,833 A	2/1994	Haxby	150/102	6,196,436 B1	3/2001	Williams	224/602
D345,861 S	4/1994	Knox et al.	D3/203.7	6,216,933 B1	4/2001	Healy	224/663
5,367,713 A	11/1994	McCallum	2/209.12	D447,624 S	9/2001	Hillman	D3/226
D355,070 S	2/1995	Thiessen	D3/226	6,357,640 B1	3/2002	Rickard et al.	224/236
D362,960 S	10/1995	Stein	D3/226	D485,982 S	2/2004	Merkel et al.	D3/226

* cited by examiner

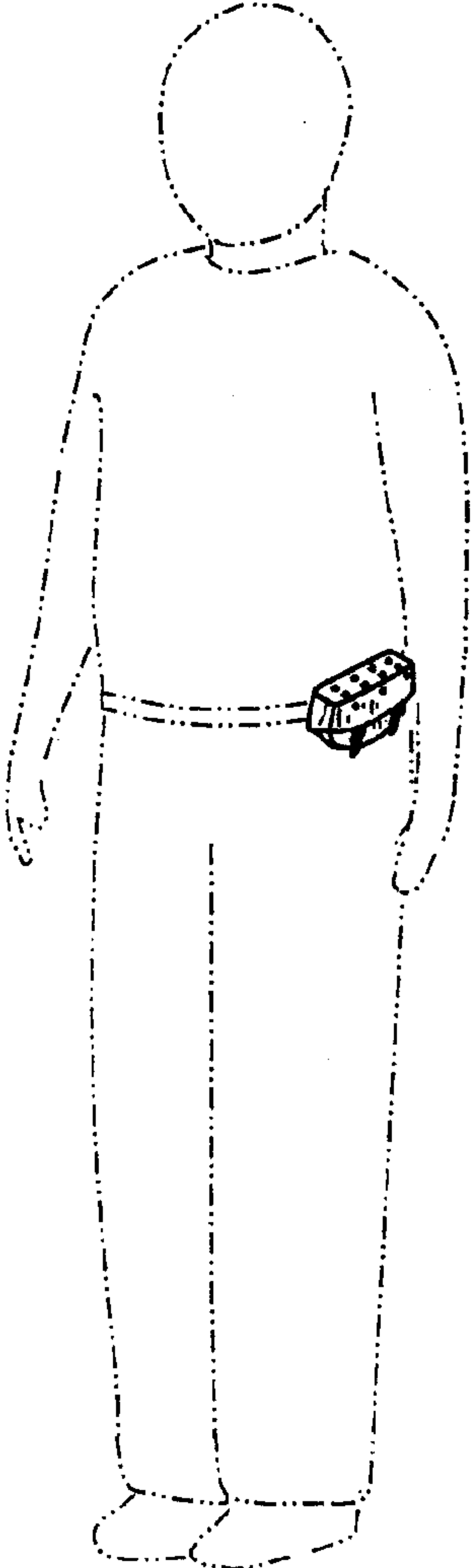


FIG. 1

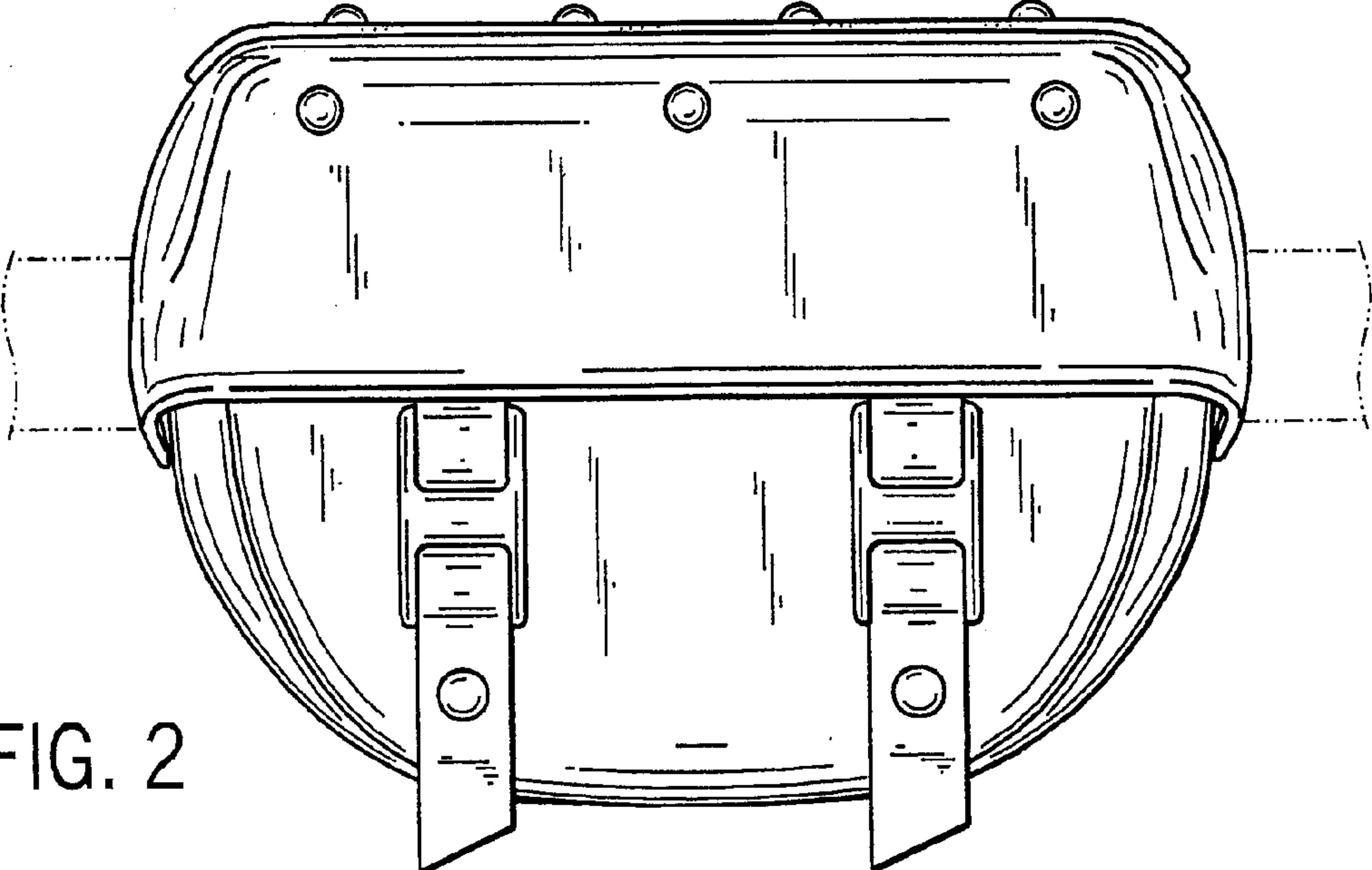


FIG. 2

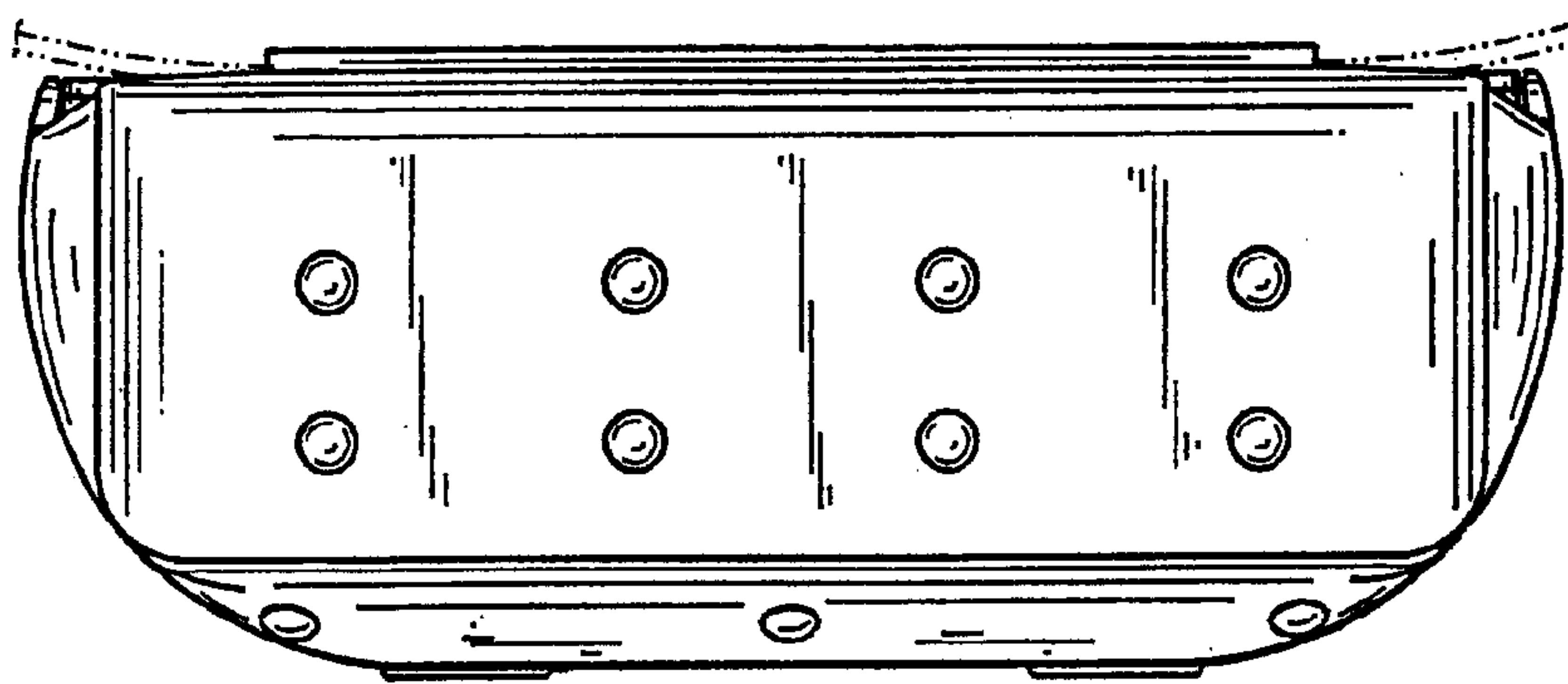


FIG. 3

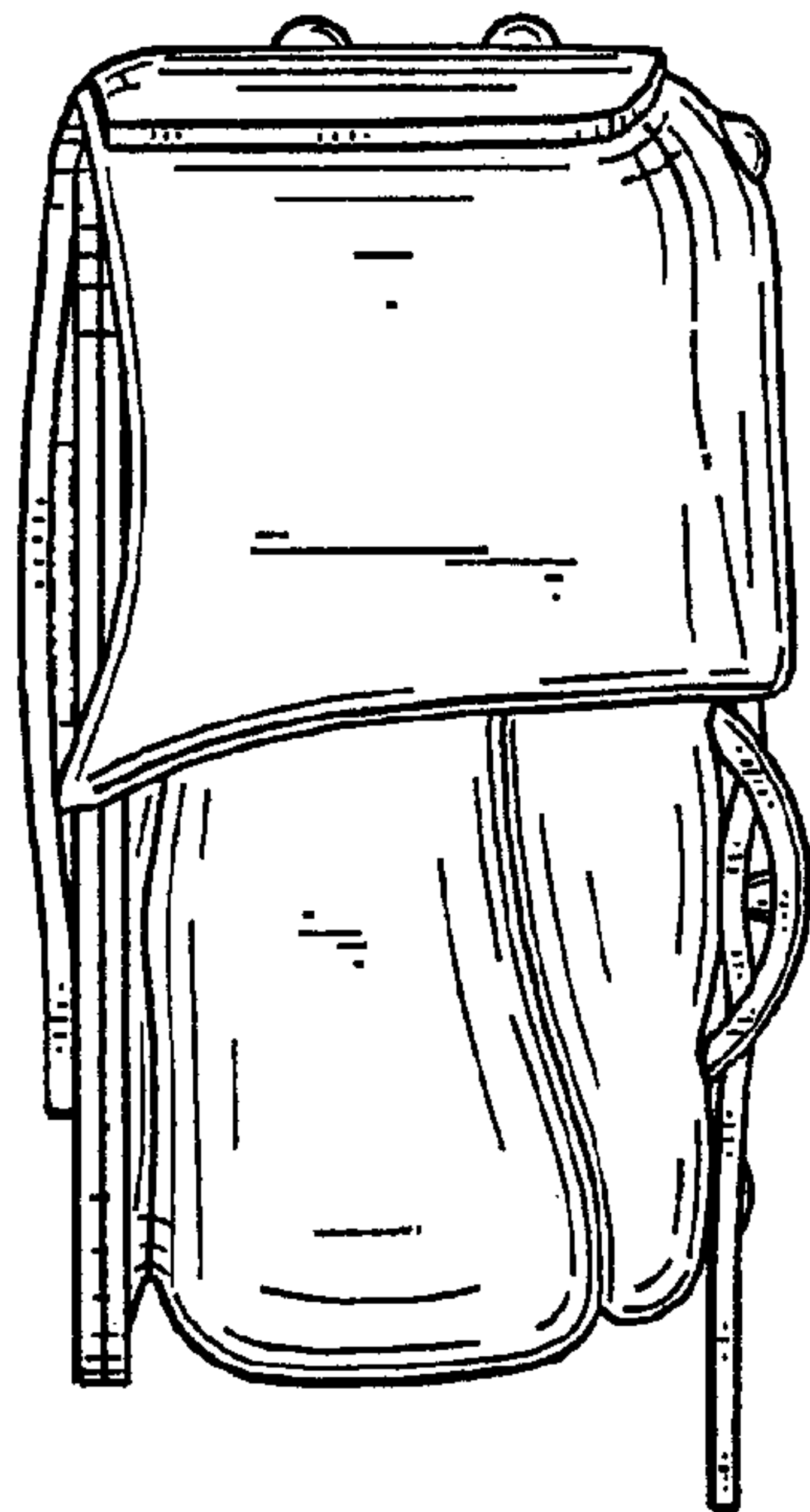


FIG. 4

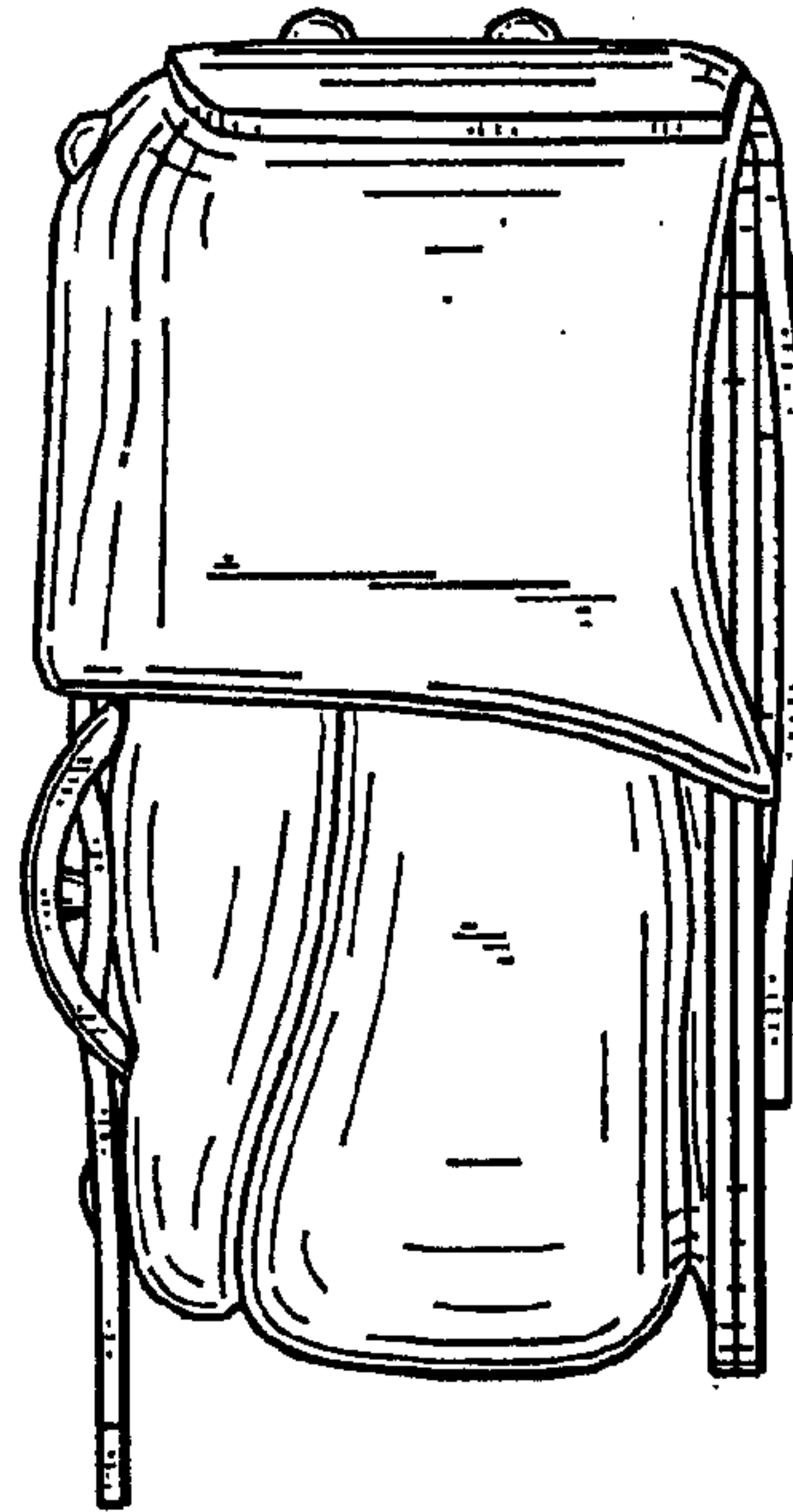


FIG. 5

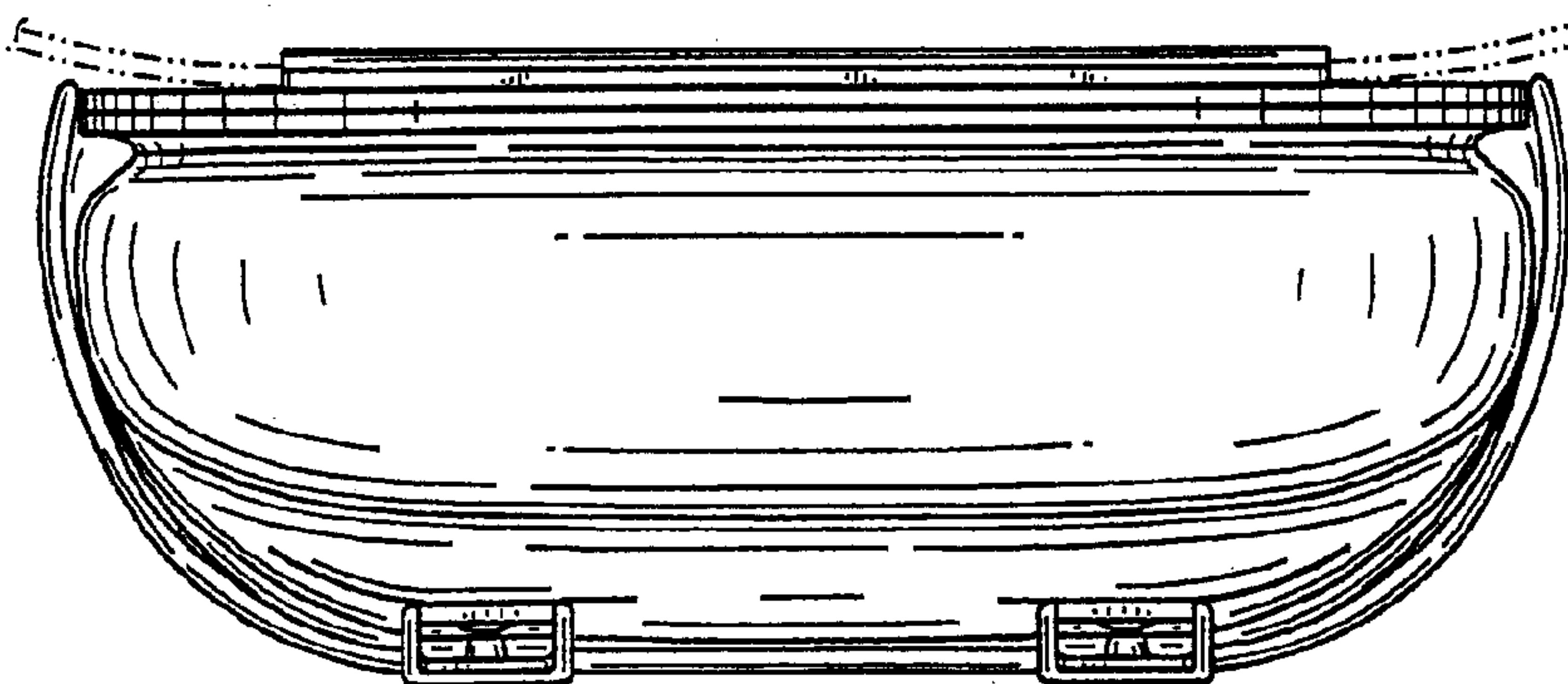


FIG. 6

FIG. 7

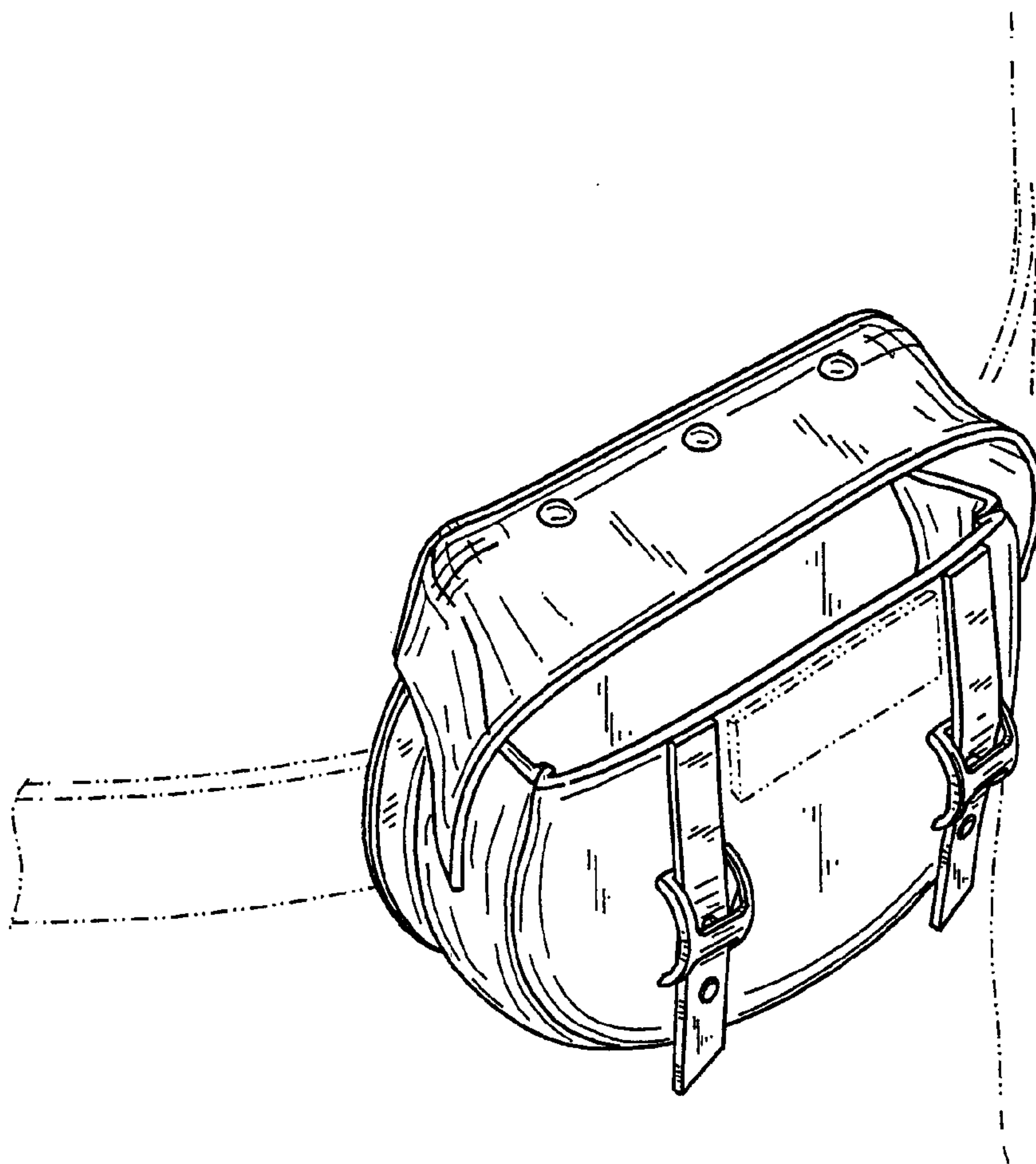
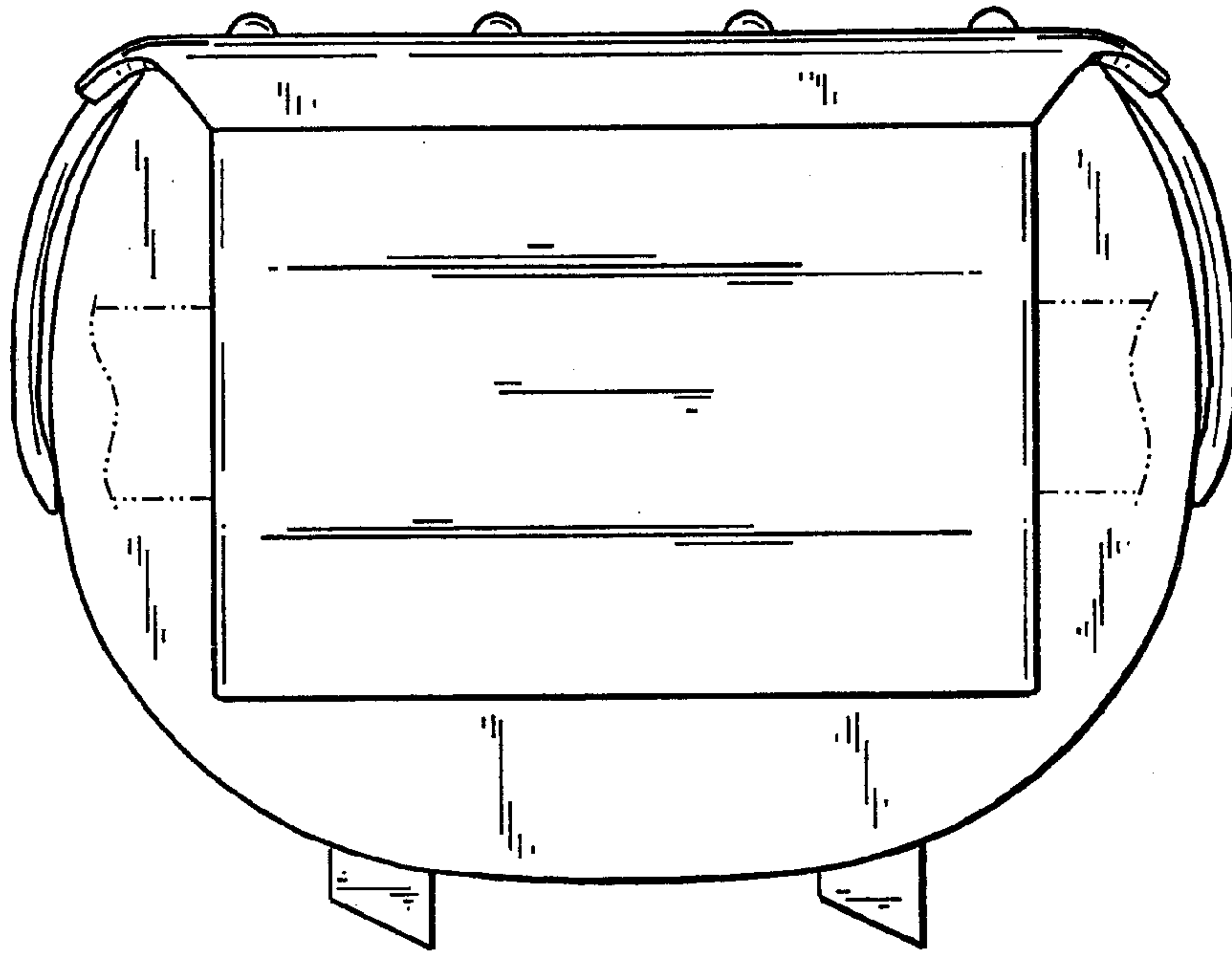


FIG. 8

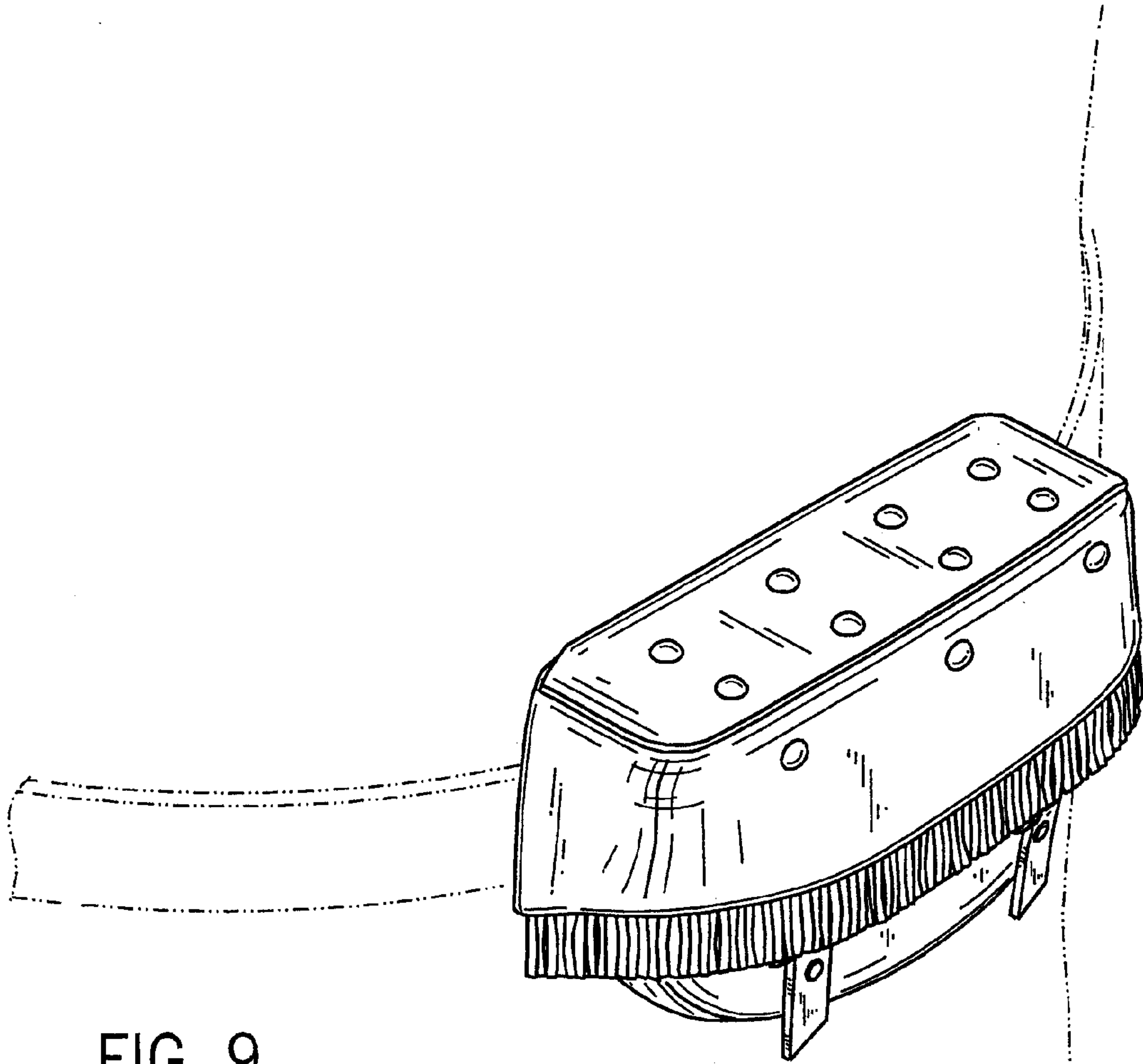
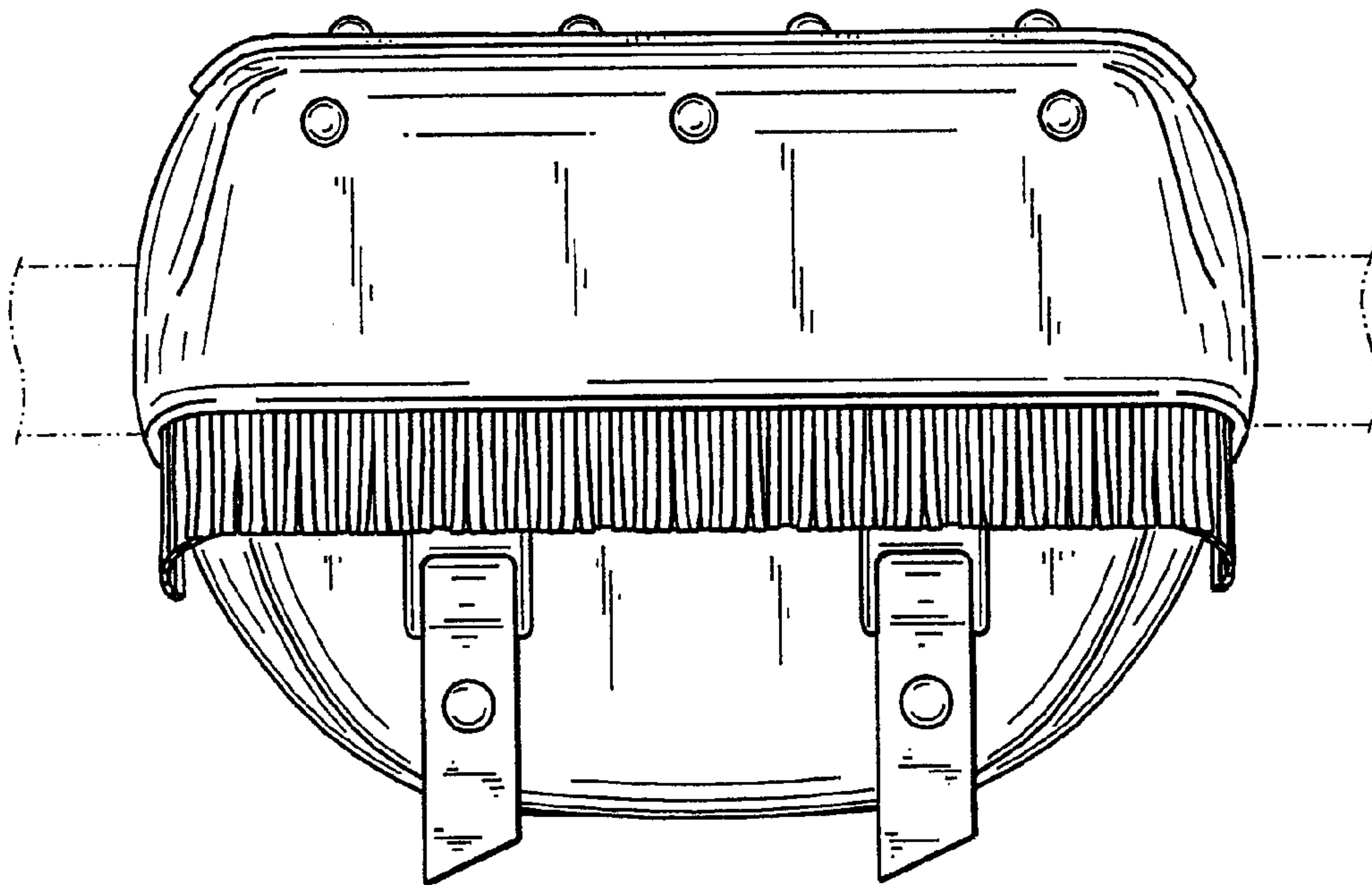


FIG. 9

FIG. 10



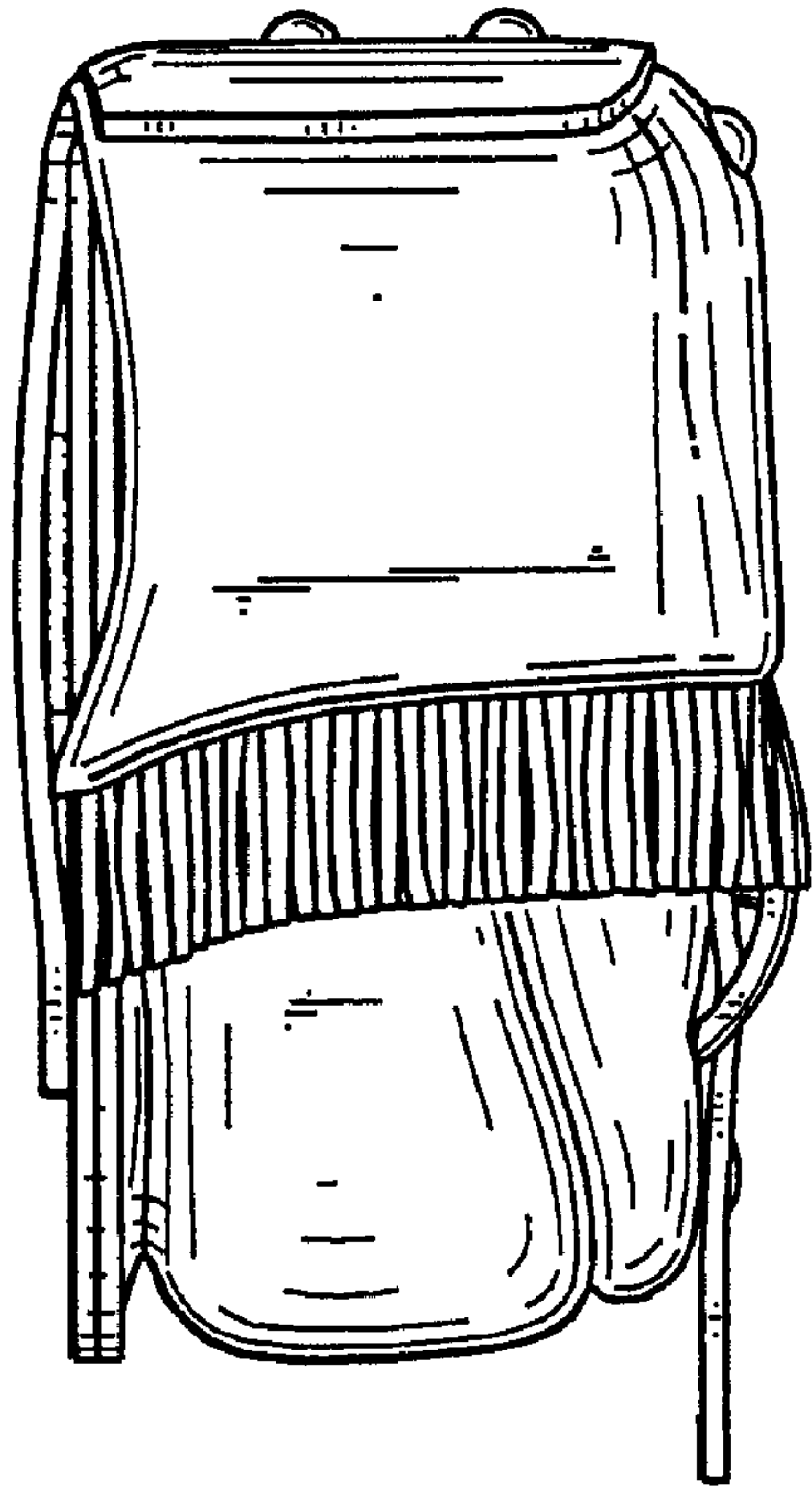


FIG. 11

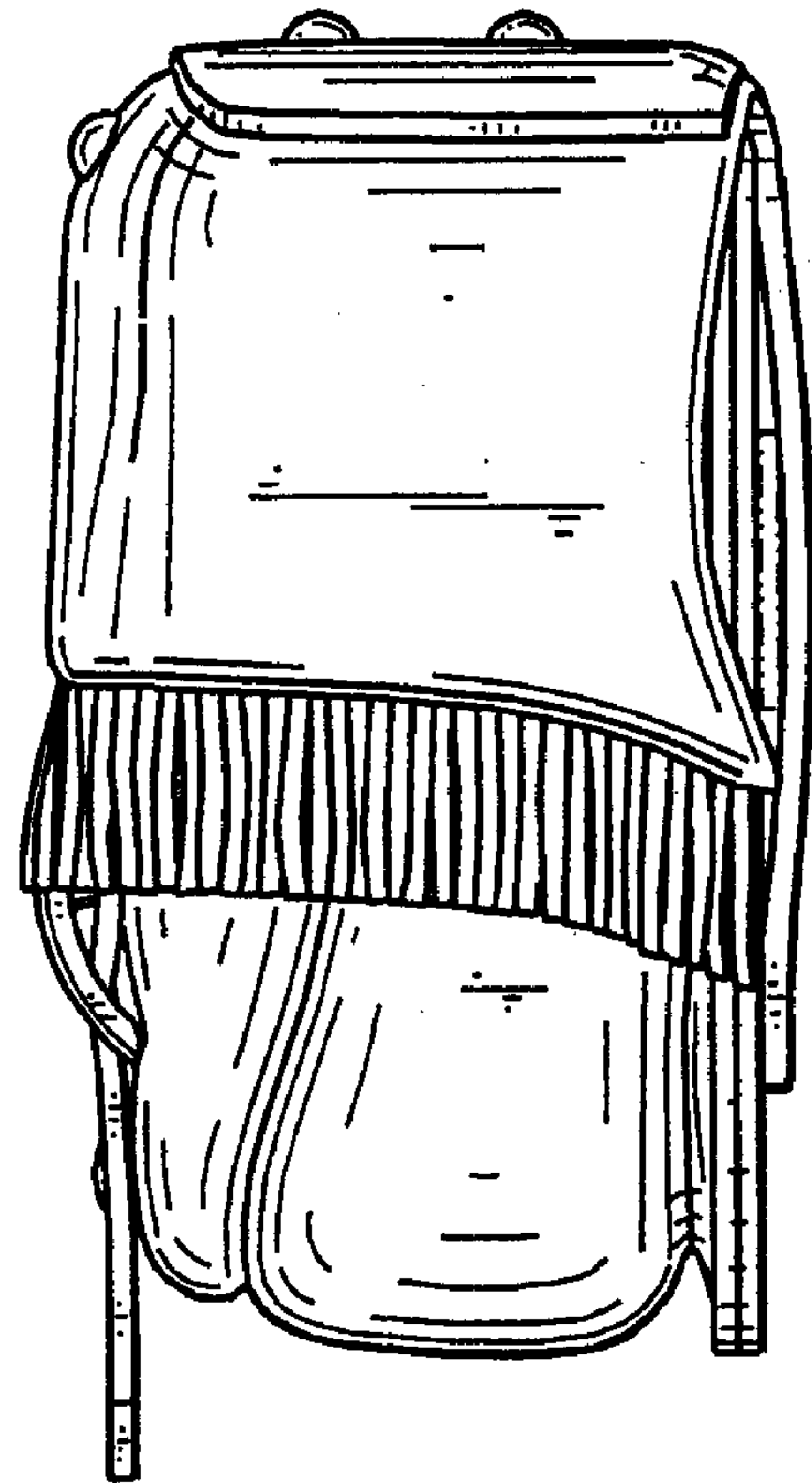
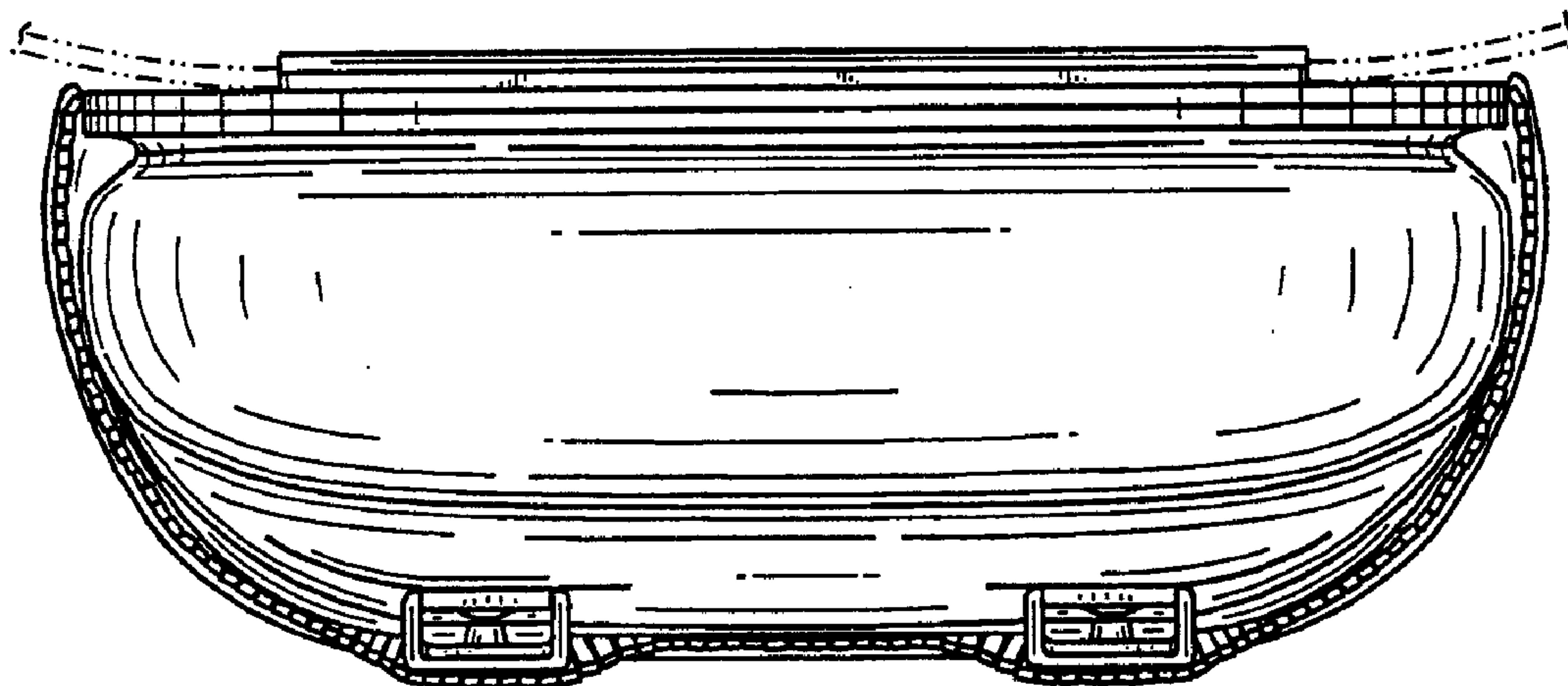


FIG. 12

FIG. 13



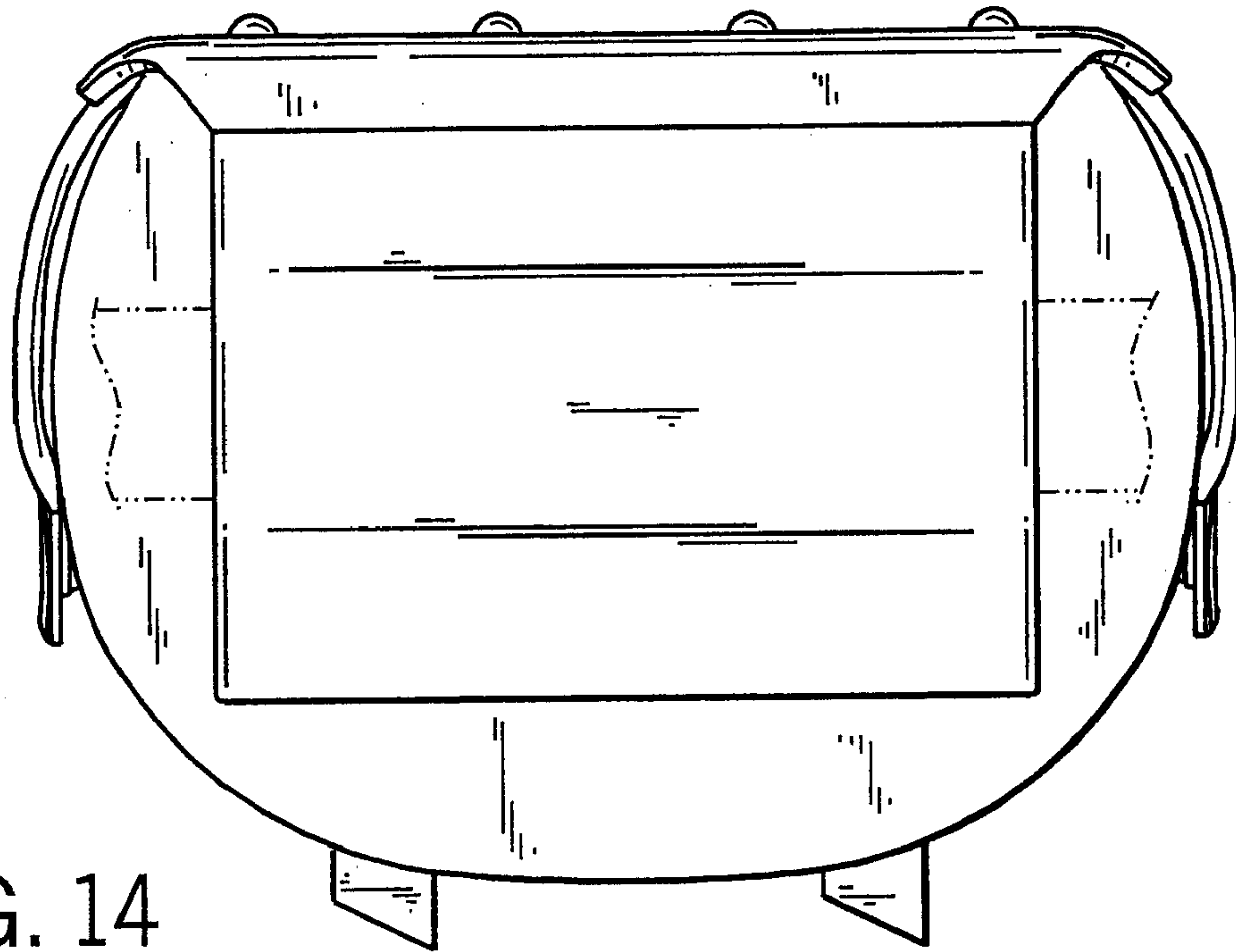


FIG. 14

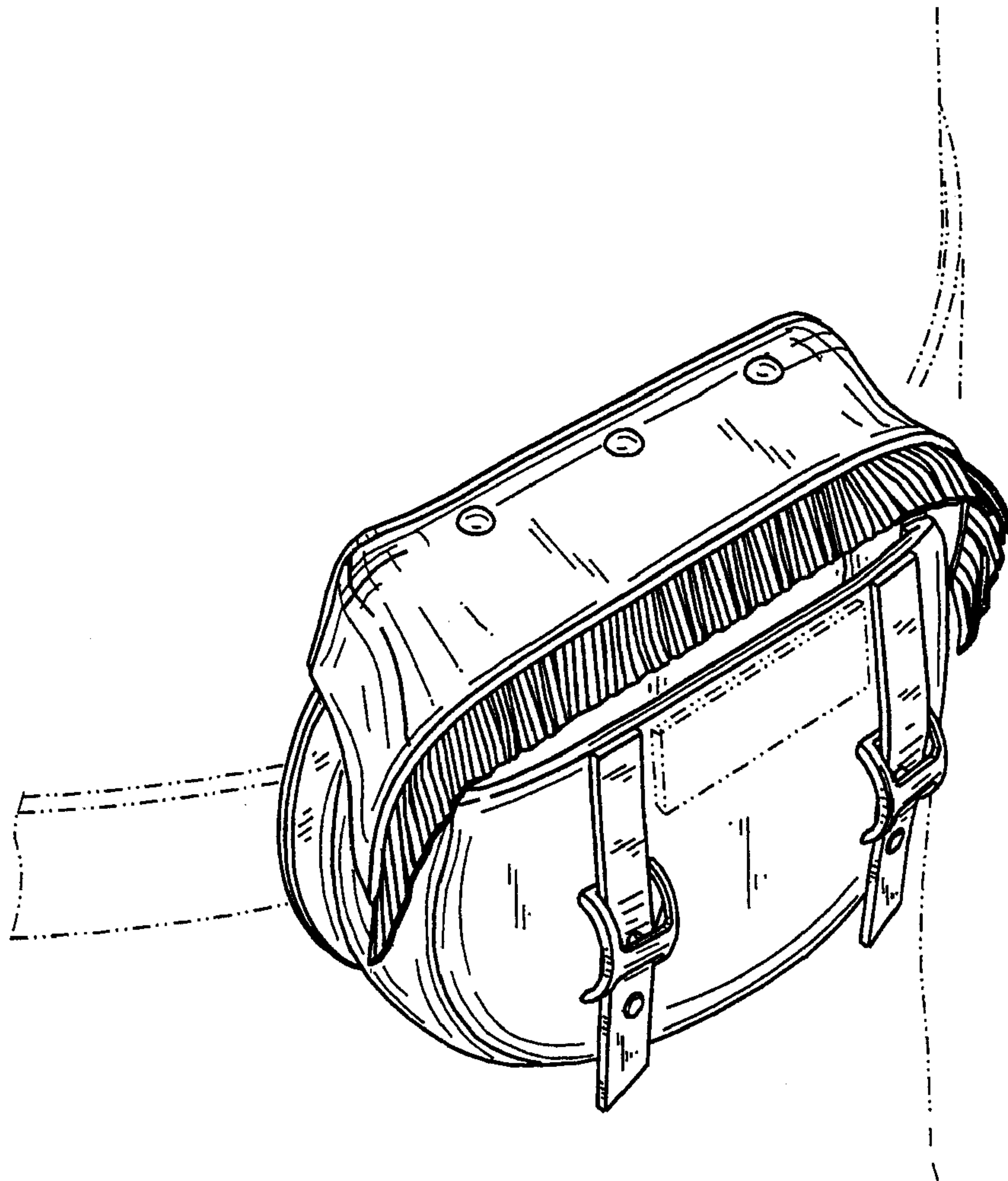


FIG. 15

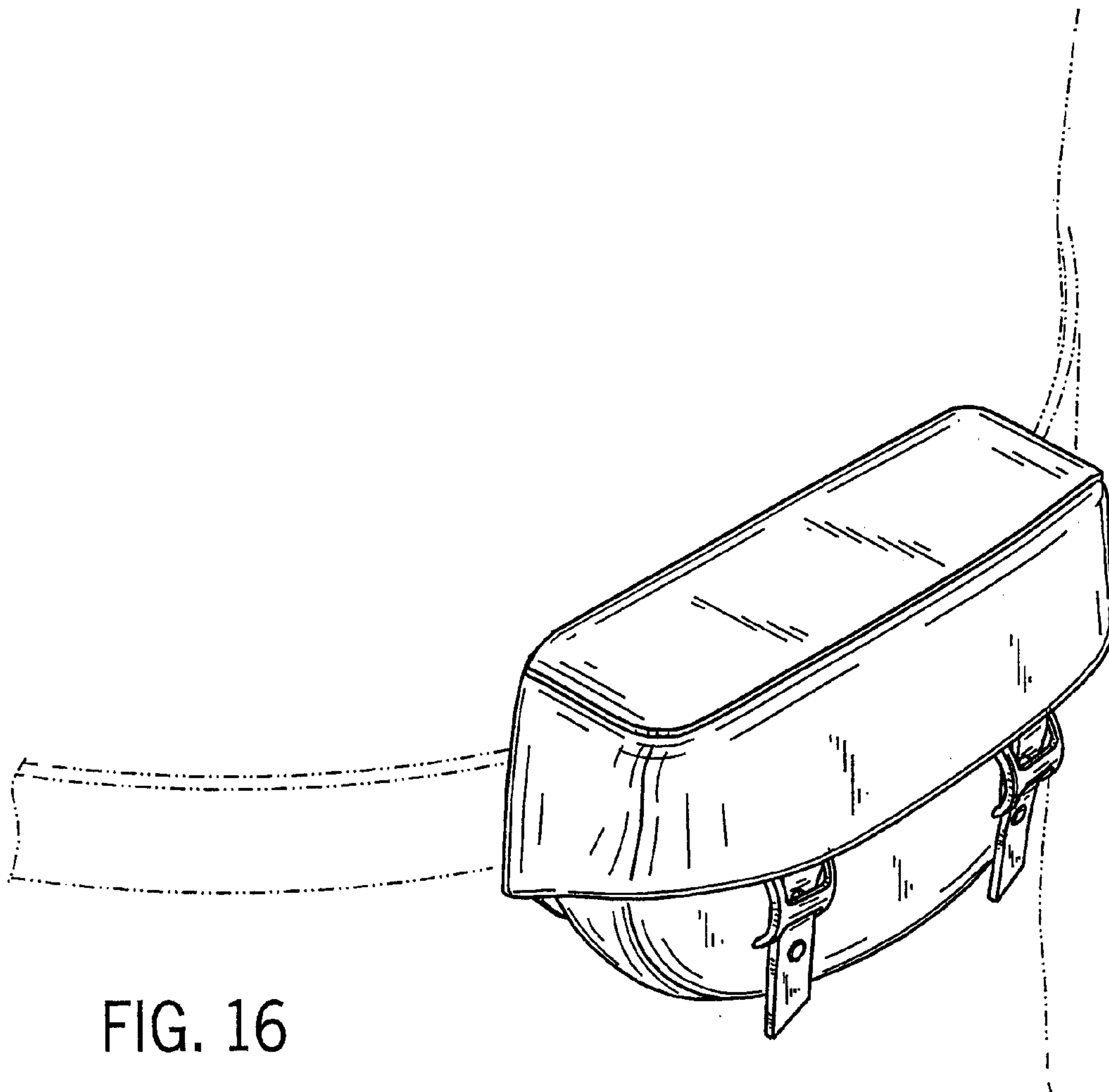
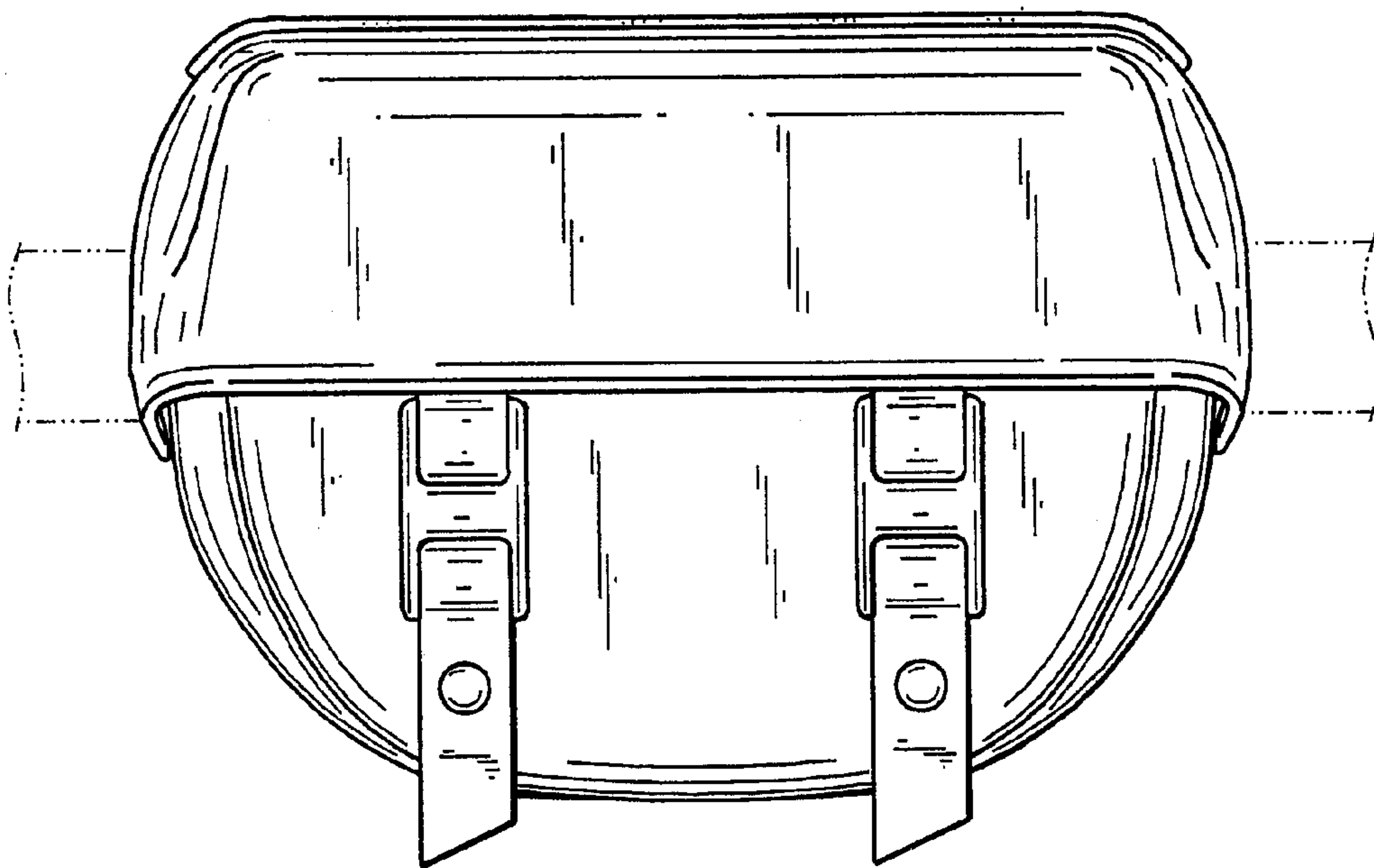


FIG. 16

FIG. 17



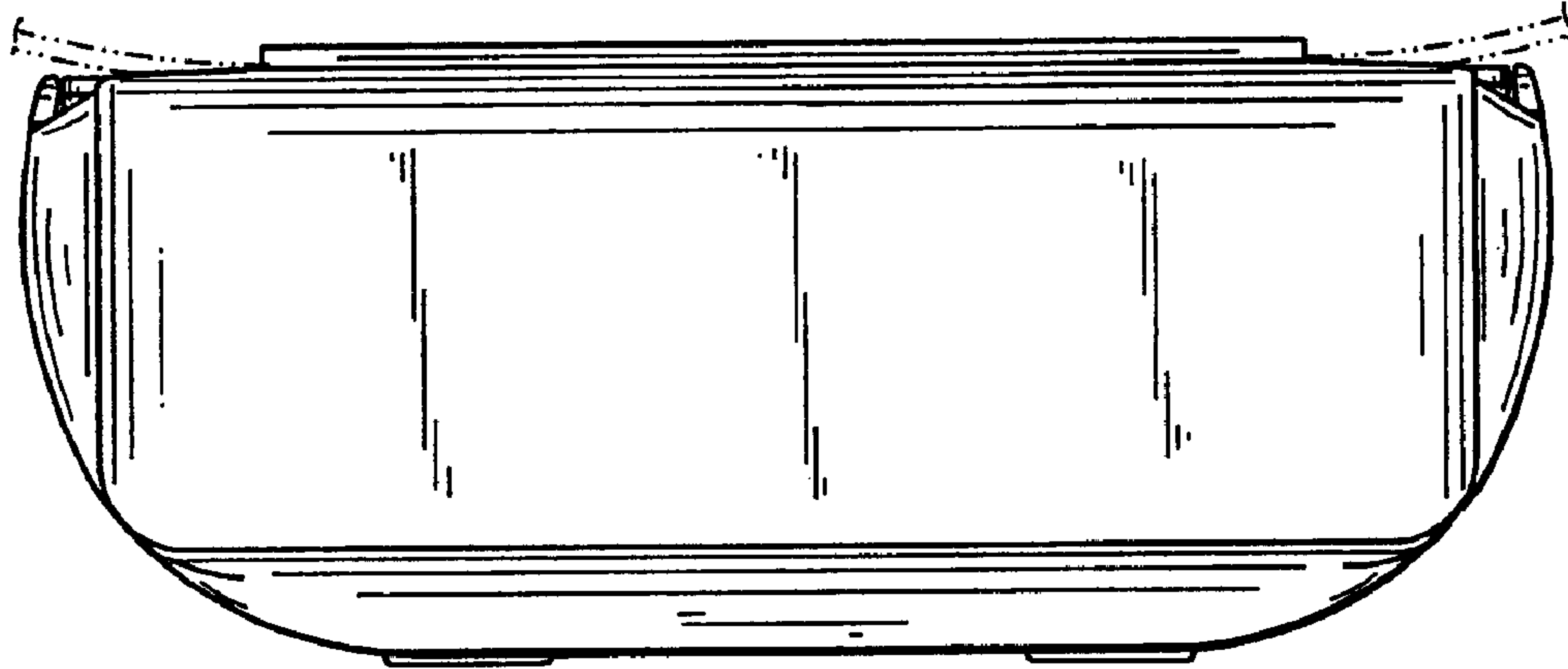


FIG. 18

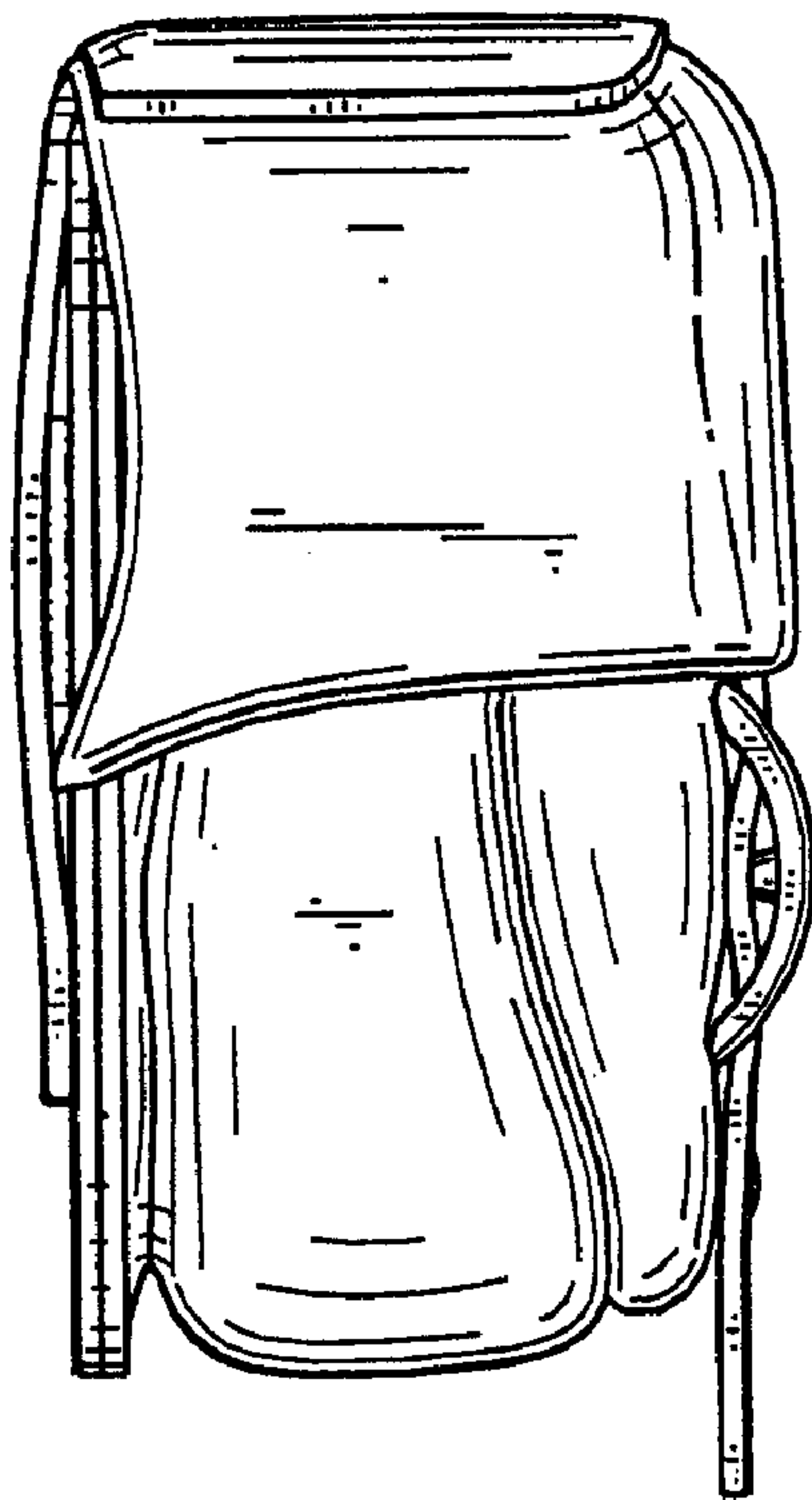


FIG. 19

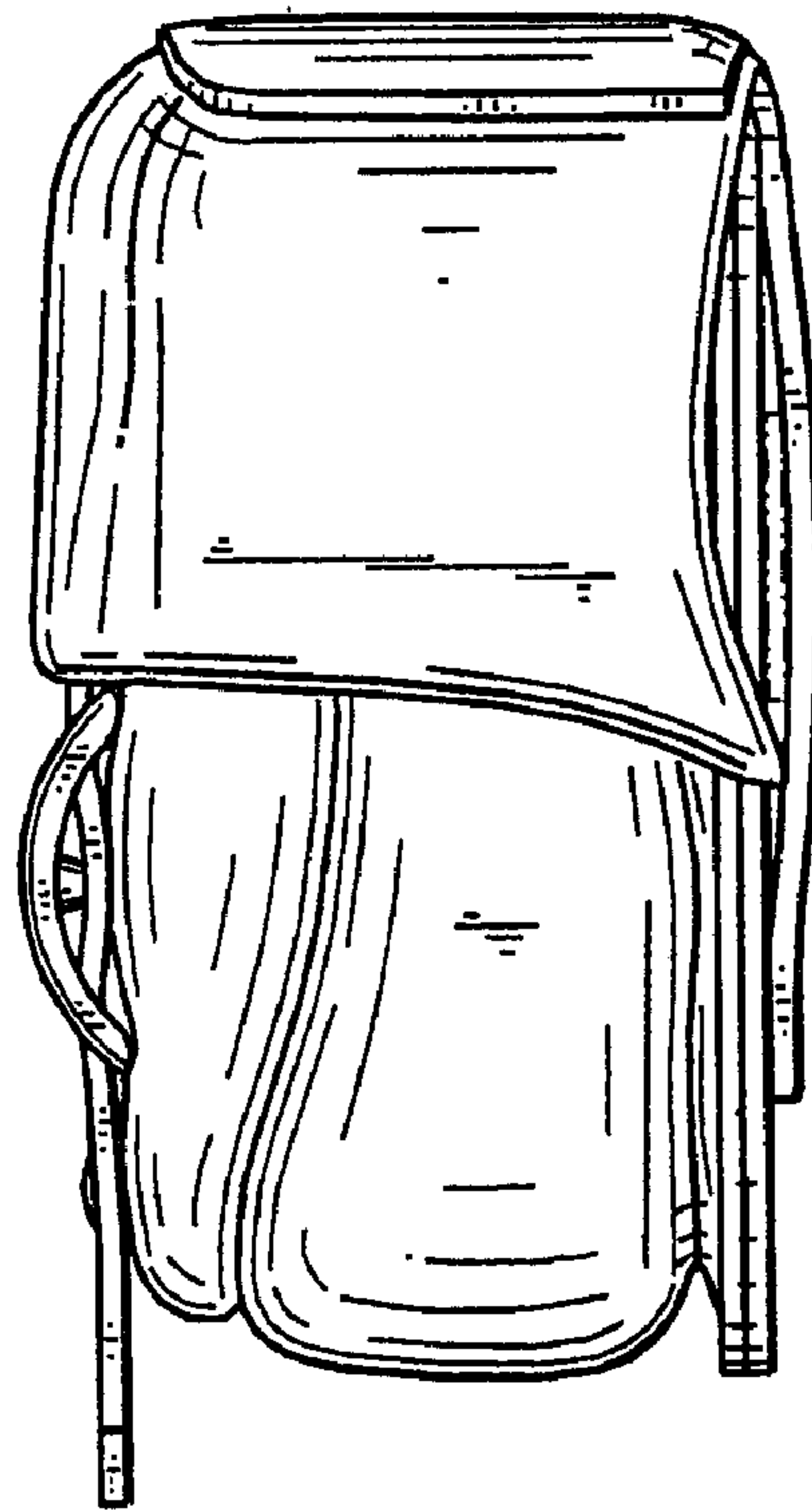


FIG. 20

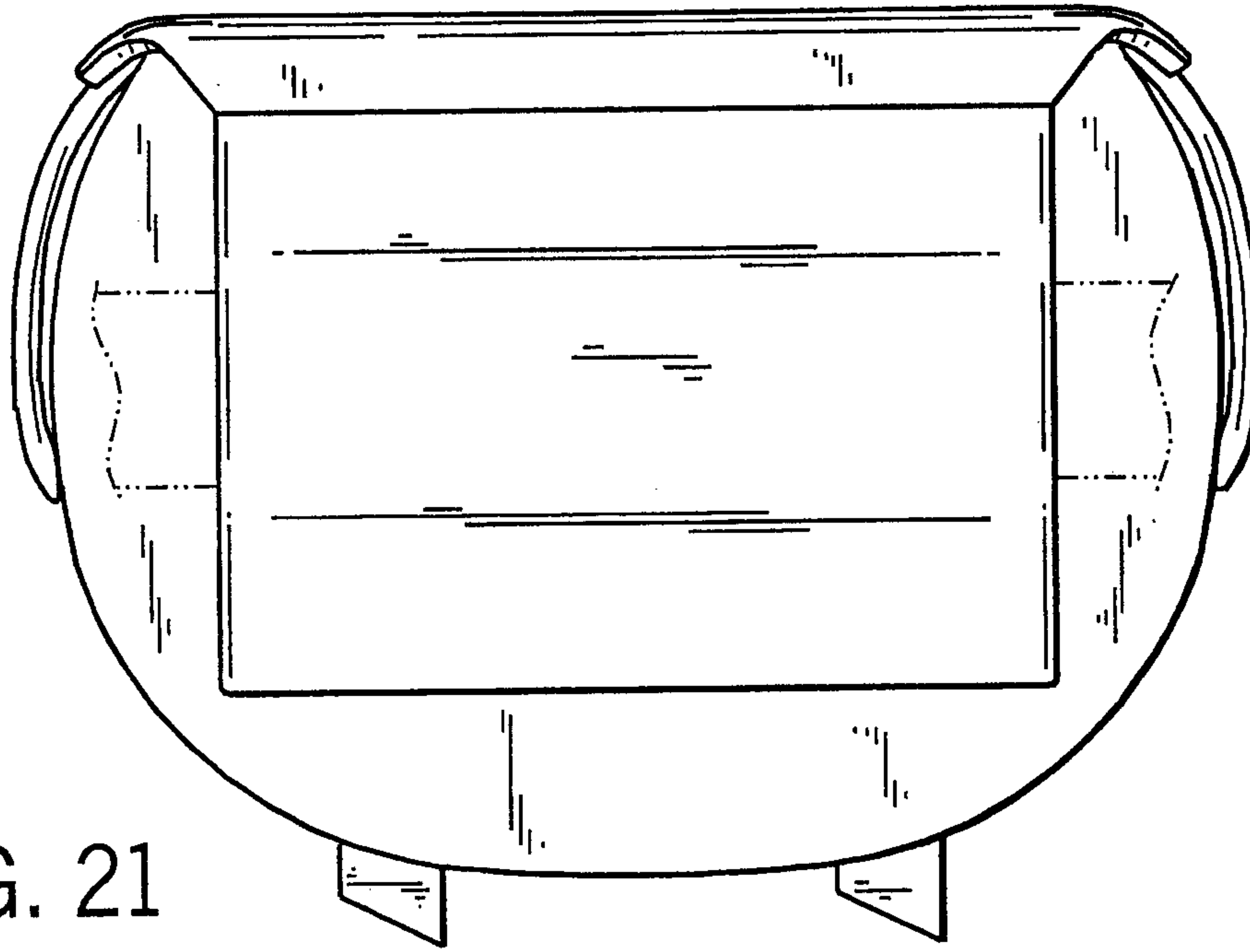


FIG. 21

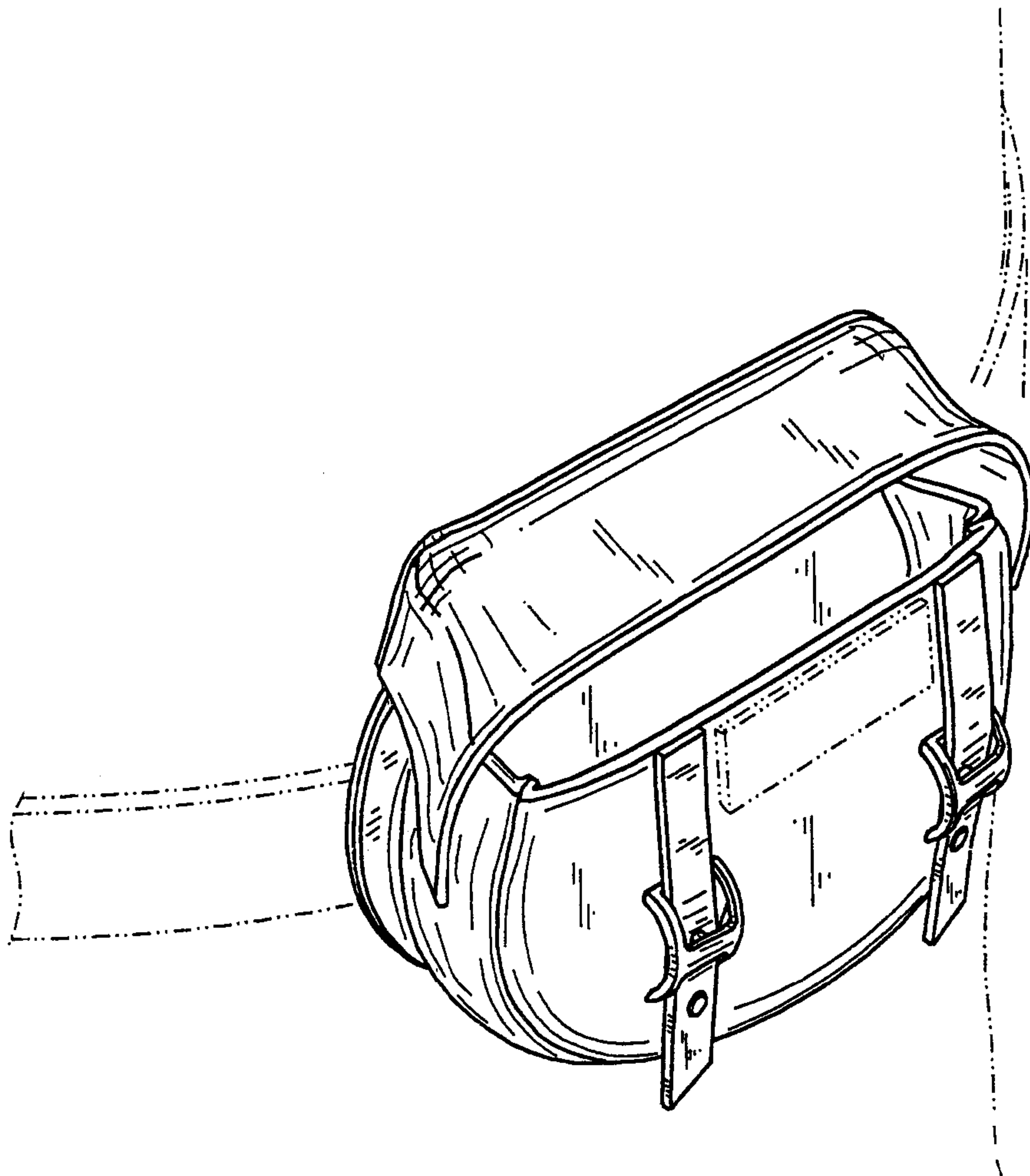


FIG. 22